



US00D385984S

United States Patent [19]
Wan

[11] **Patent Number:** **Des. 385,984**
[45] **Date of Patent:** ****Nov. 4, 1997**

[54] **COMBINED FLASHLIGHT AND RECHARGER THEREFOR**
[75] **Inventor:** **Yiu Kwong Wan**, New Territories, Hong Kong
[73] **Assignee:** **Fee Tat Holdings (H.K.) Limited**, Hong Kong, Hong Kong
[**] **Term:** **14 Years**

D. 307,058 4/1990 Yuen D26/38
D. 308,253 5/1990 Battles et al. D26/38
D. 334,993 4/1993 Lee D26/38
D. 347,079 5/1994 Hung D26/38
D. 351,675 10/1994 Sharrah et al. D26/38

Primary Examiner—Marcus A. Jackson
Attorney, Agent, or Firm—Blakeley Sokoloff Taylor & Zafman

[21] **Appl. No.:** **63,401**
[22] **Filed:** **Dec. 6, 1996**
[30] **Foreign Application Priority Data**

[57] **CLAIM**

The ornamental design for a combined flashlight and recharger therefor, as shown and described.

Jun. 24, 1996 [GB] United Kingdom 2057208
[51] **LOC (6) Cl.** **26-02**
[52] **U.S. Cl.** **D26/38**
[58] **Field of Search** D26/37-50; 362/157, 362/158, 160, 161, 168, 171, 172, 173, 178, 180, 183, 184, 186, 197, 198-207

DESCRIPTION

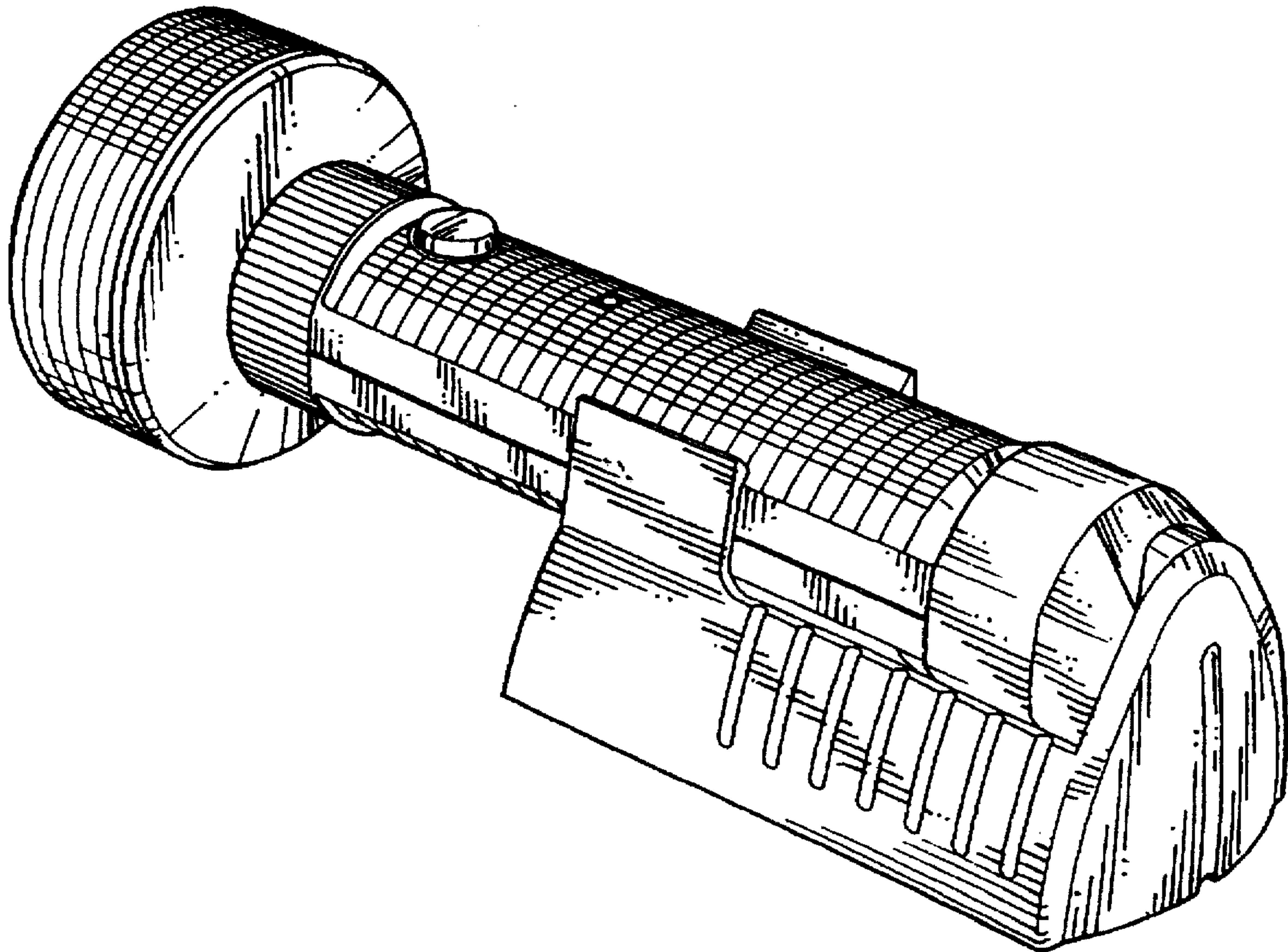
FIG. 1 is a perspective view of the combined flashlight and recharger therefor;
FIG. 2 is a top plan view thereof;
FIG. 3 is a front elevation view thereof;
FIG. 4 is a rear elevation view thereof;
FIG. 5 is a bottom plan view thereof;
FIG. 6 is a left side elevation view thereof;
FIG. 7 is a right side elevation view thereof; and,
FIG. 8 is a perspective view thereof, with the recharger connected.

[56] **References Cited**

U.S. PATENT DOCUMENTS

D. 297,265 8/1988 Ingram, II D26/38

1 Claim, 5 Drawing Sheets



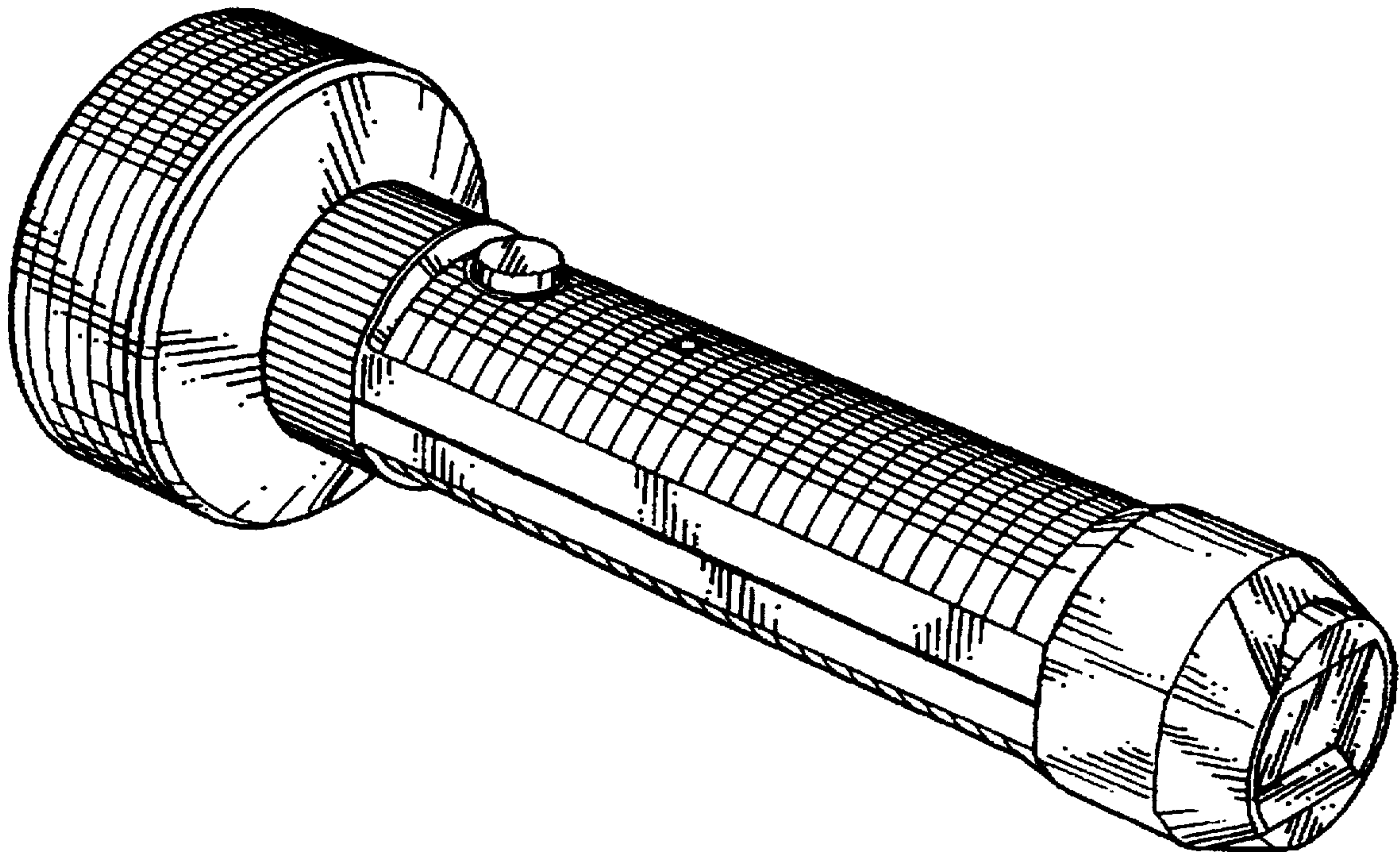


FIGURE 1

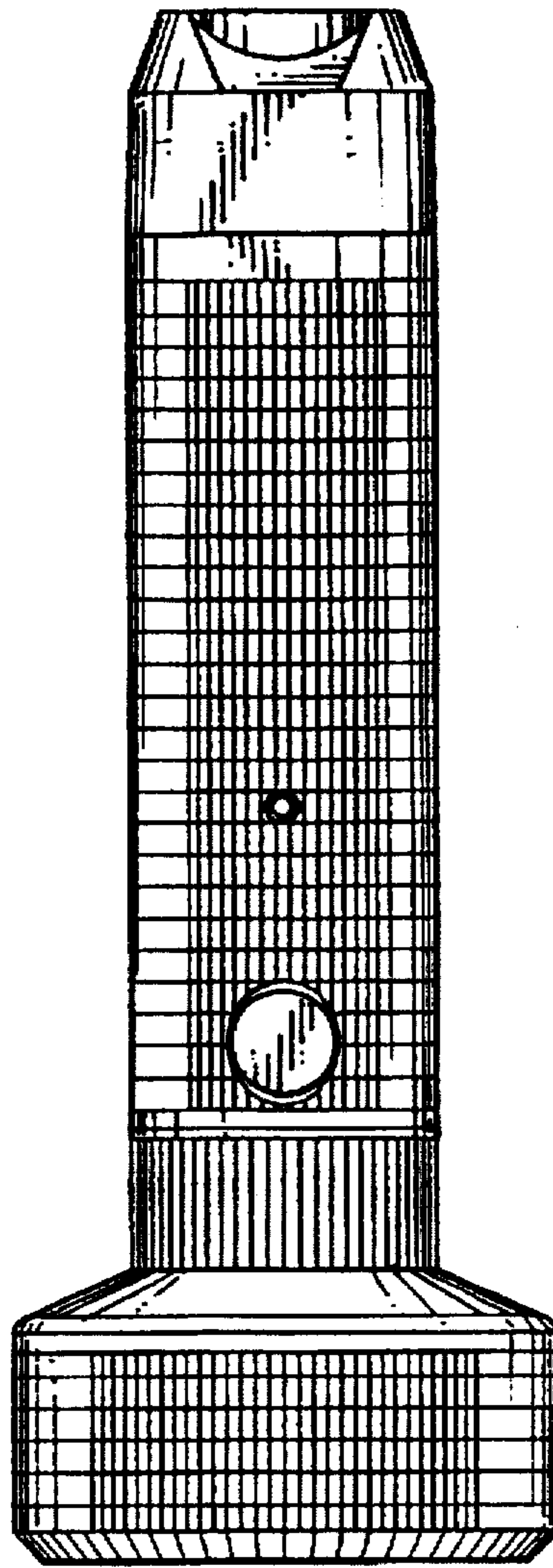


FIGURE 2

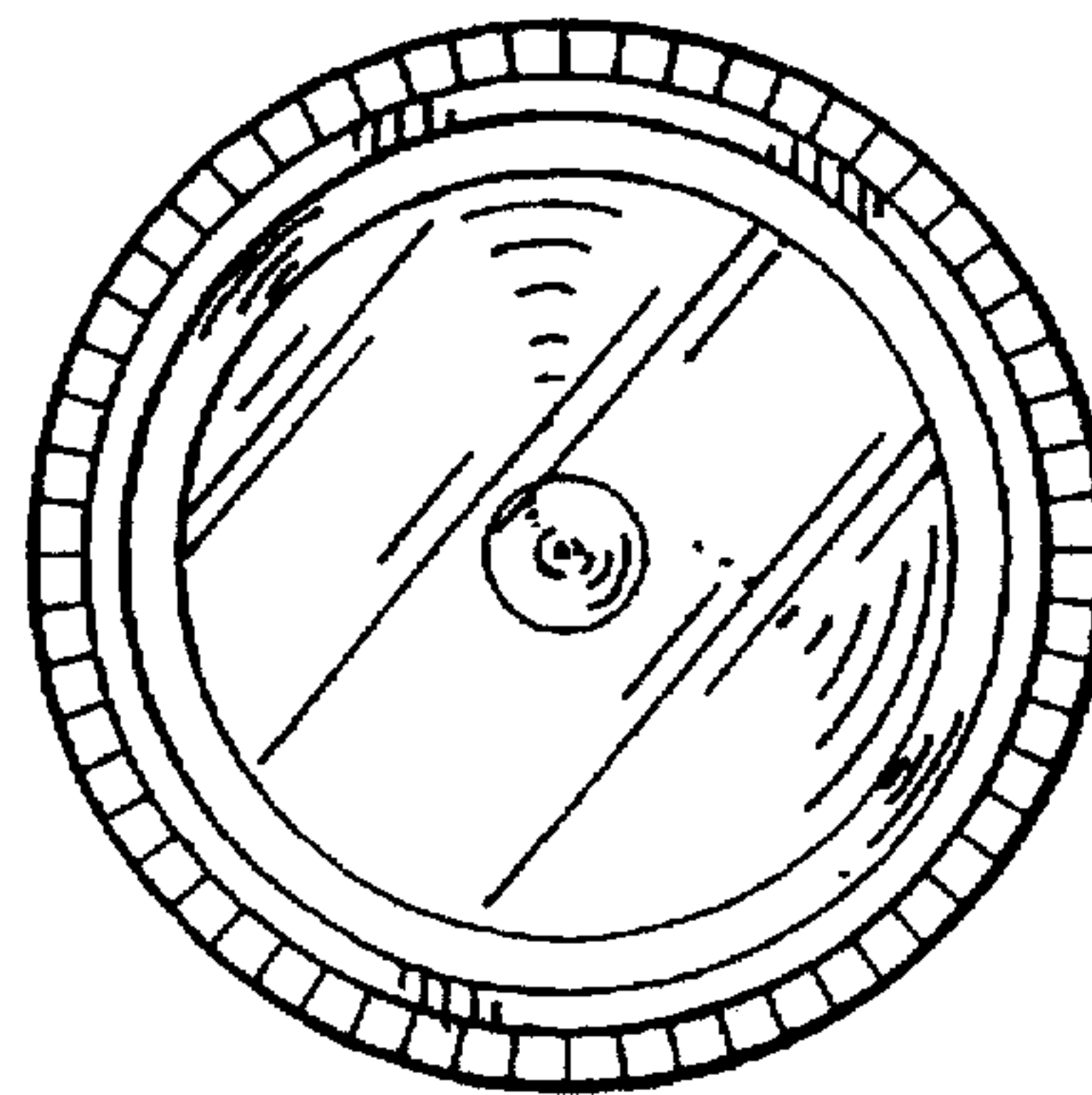


FIGURE 3

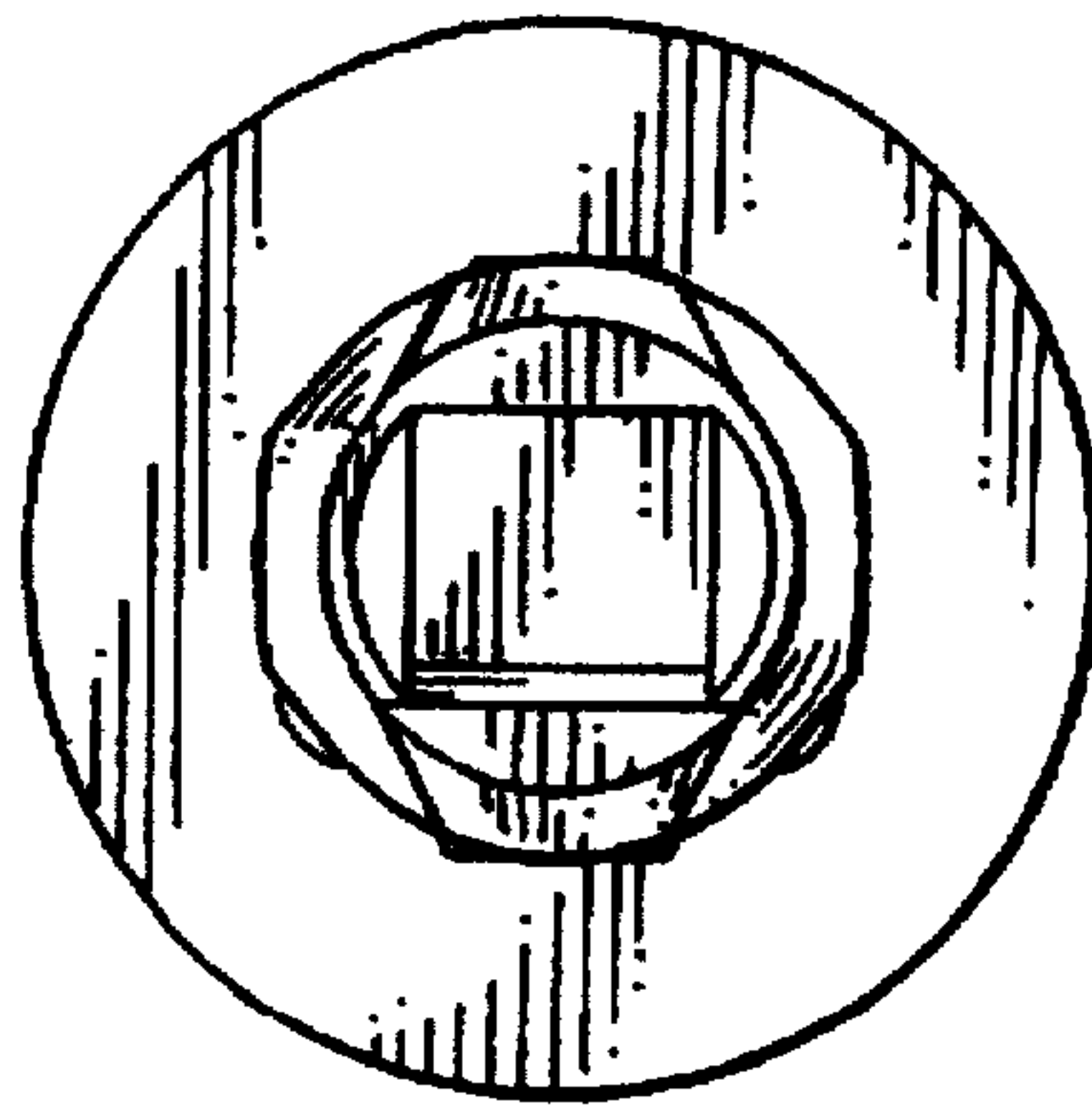


FIGURE 4

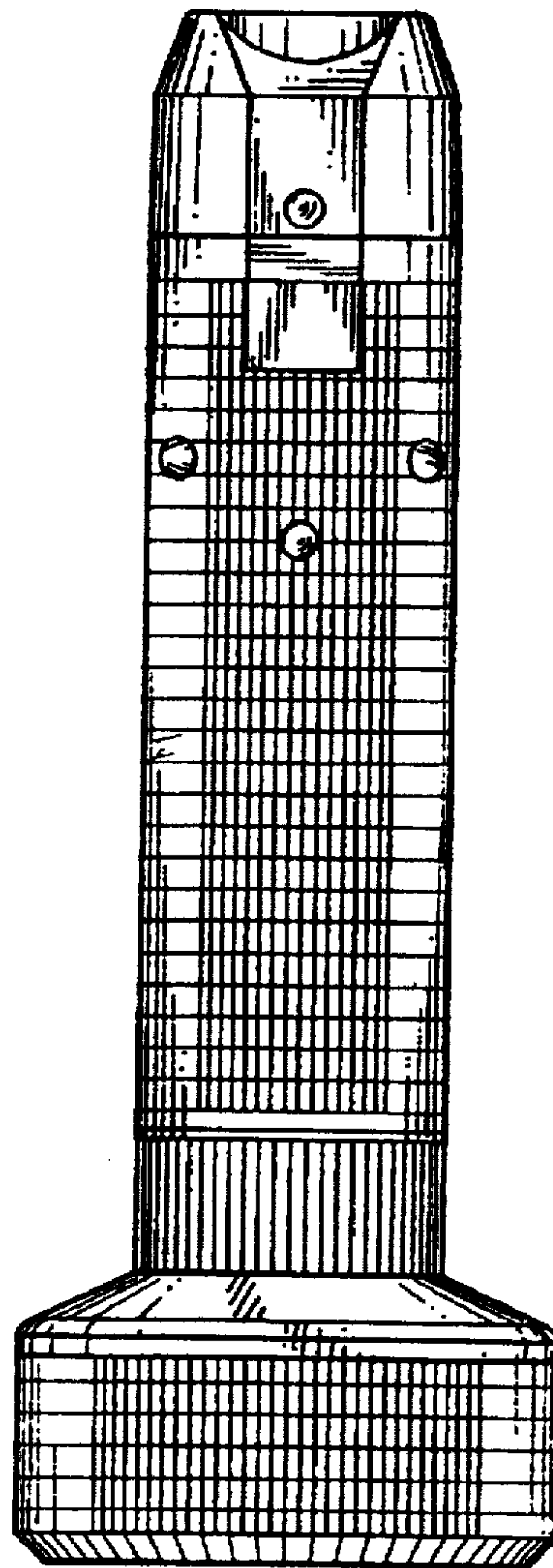


FIGURE 5

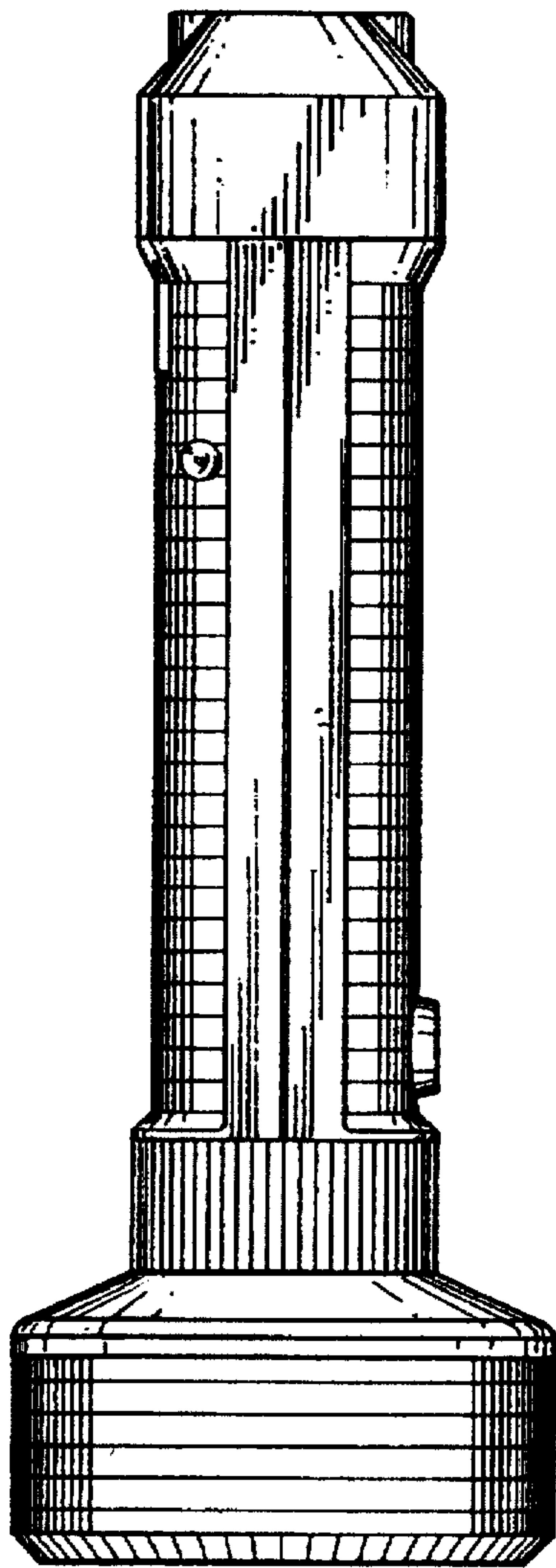


FIGURE 6

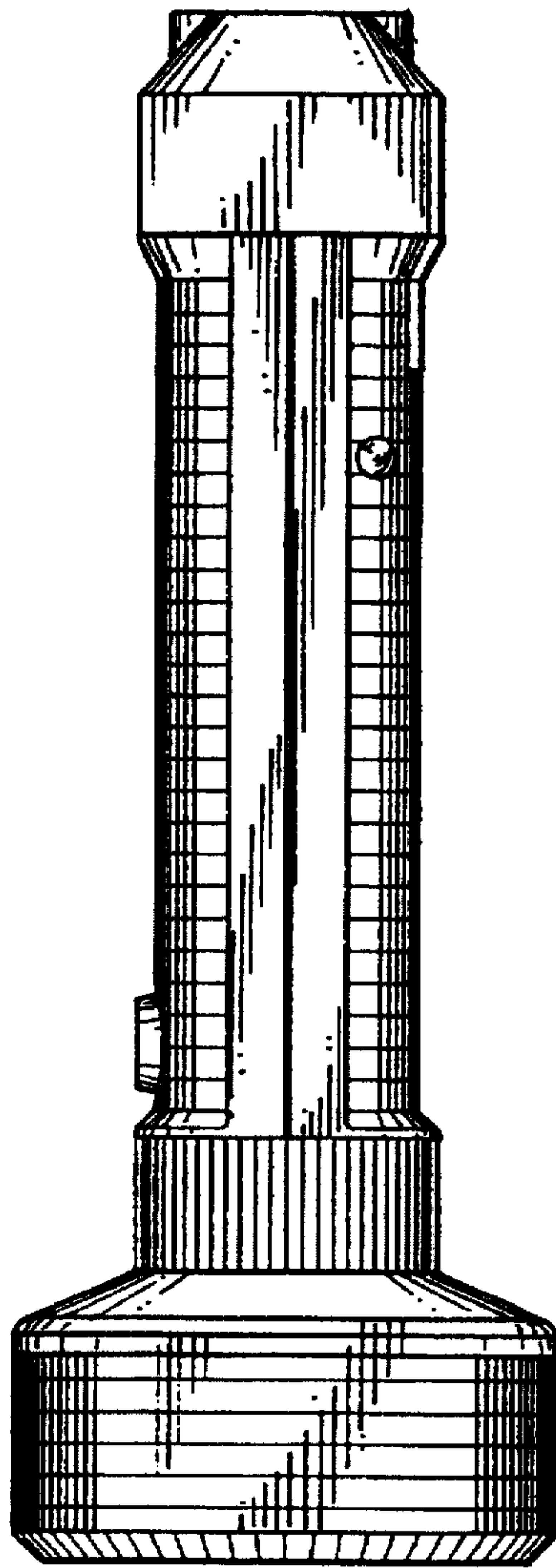


FIGURE 7

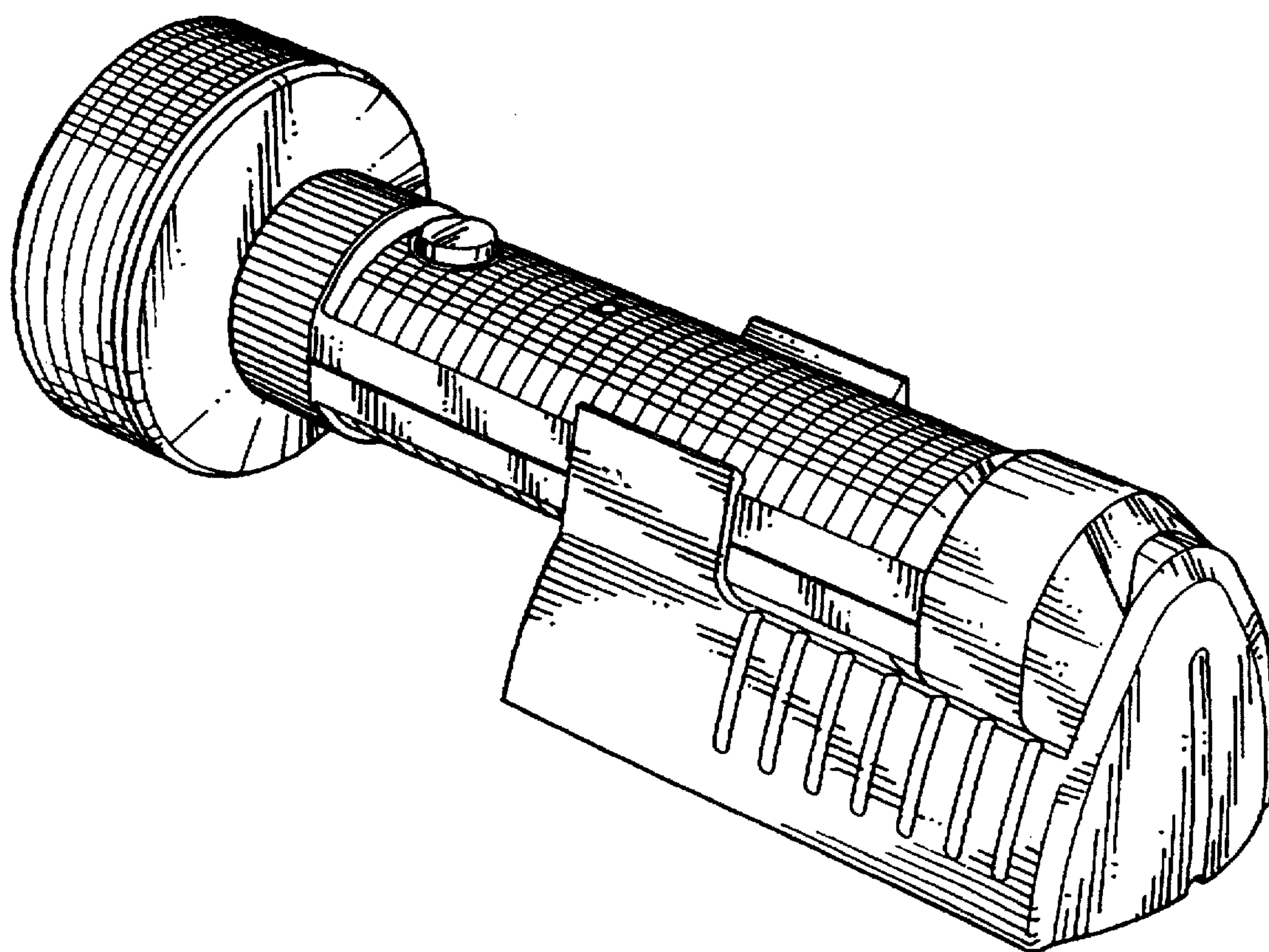


FIGURE 8