



US00D385983S

United States Patent [19]

Wan

[11] Patent Number: **Des. 385,983**

[45] Date of Patent: ****Nov. 4, 1997**

[54] **COMBINED PORTABLE FLUORESCENT LANTERN AND RADIO**

D. 354,054	1/1995	Shitama	D26/38
D. 371,356	7/1996	Marugama	D26/38
D. 377,173	1/1997	Yuen	D26/38

[75] Inventor: **Yiu Kwong Wan**, New Territories, Hong Kong

Primary Examiner—Marcus A. Jackson
Attorney, Agent, or Firm—Blakely Sokoloff Taylor & Zafman

[73] Assignee: **Fee Tat Holdings (H.K.) Limited**, Hong Kong, Hong Kong

[**] Term: **14 Years**

[57] CLAIM

[21] Appl. No.: **63,400**

The ornamental design for a combined portable fluorescent lantern and radio, as shown and described.

[22] Filed: **Dec. 6, 1996**

DESCRIPTION

[30] Foreign Application Priority Data

Jun. 24, 1996 [GB] United Kingdom 2057209

FIG. 1 is a front perspective view of the lighting device thereof;

[51] LOC (6) Cl. **26-02**

FIG. 2 is a front elevation view thereof;

[52] U.S. Cl. **D26/38; D14/168**

FIG. 3 is a rear elevation view thereof;

[58] Field of Search **D26/37-50; D14/137, D14/168, 188, 189; 362/157, 159, 183-191, 194-205**

FIG. 4 is a top plan view thereof;

FIG. 5 is a right side elevation view thereof;

FIG. 6 is a left side elevation view thereof;

FIG. 7 is a bottom plan view thereof; and,

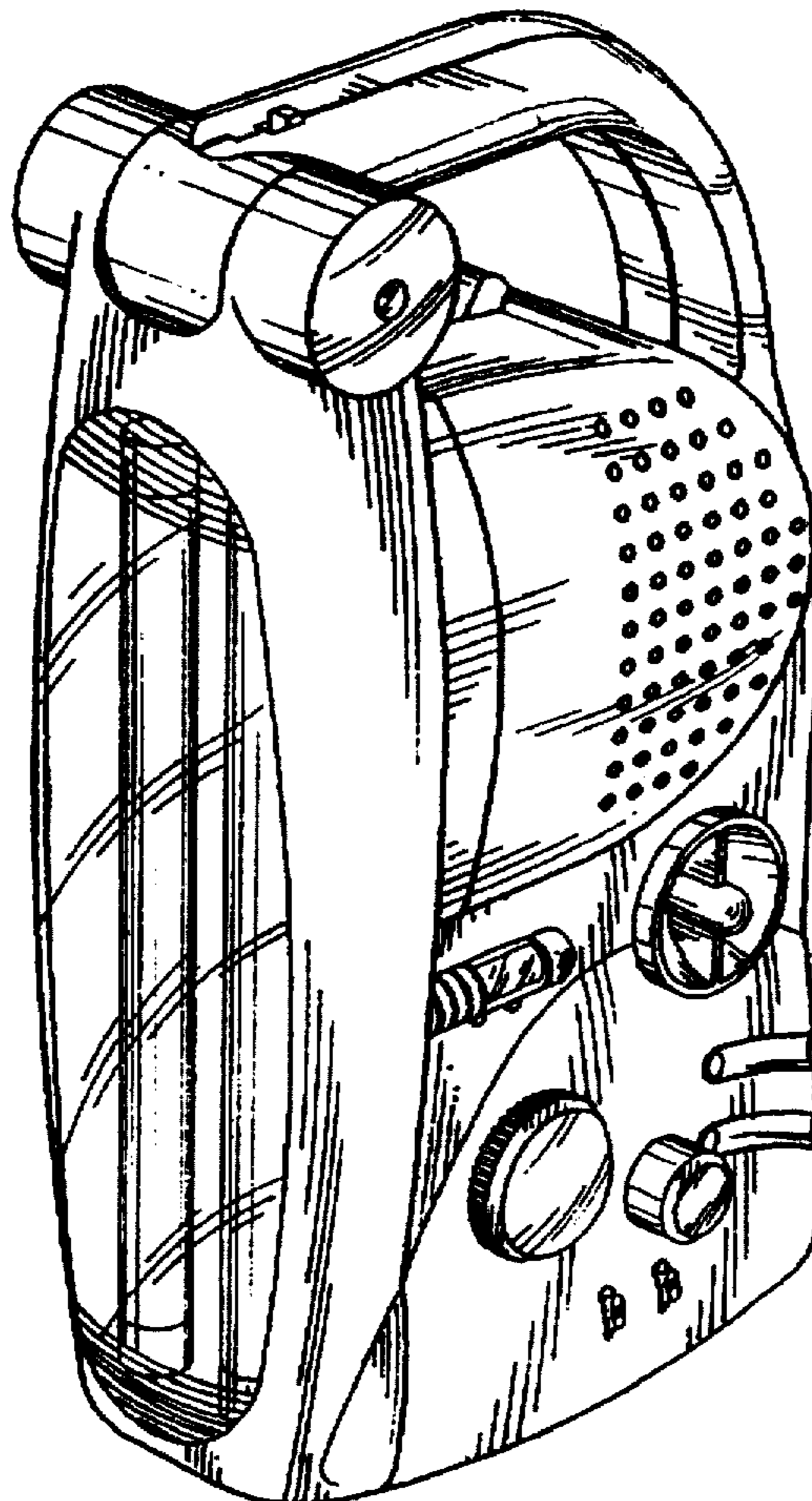
FIG. 8 is a front perspective view with the lighting device in an alternative position.

[56] References Cited

U.S. PATENT DOCUMENTS

D. 293,481 12/1987 Ohashi D26/38

1 Claim, 5 Drawing Sheets



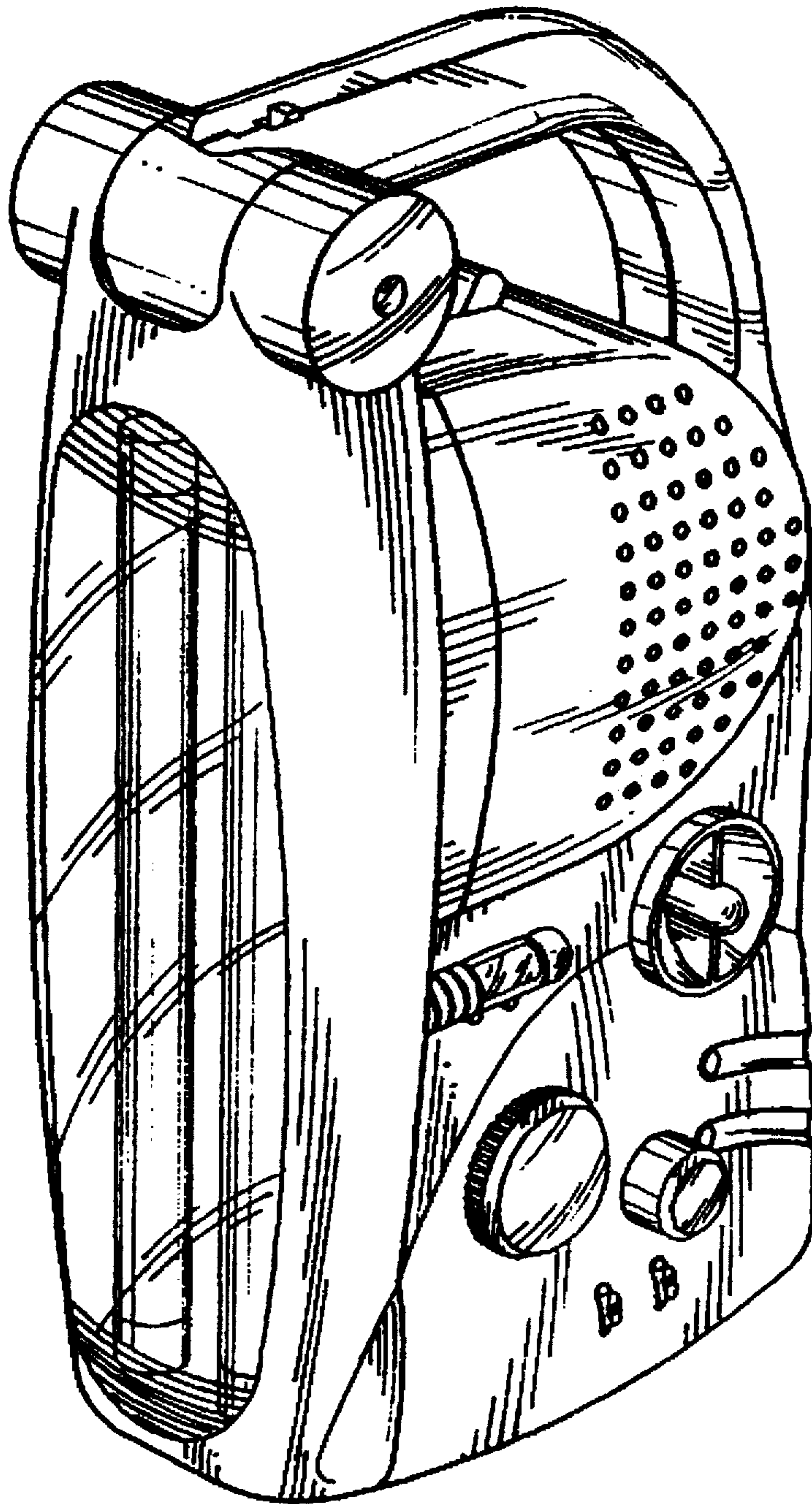


FIGURE 1

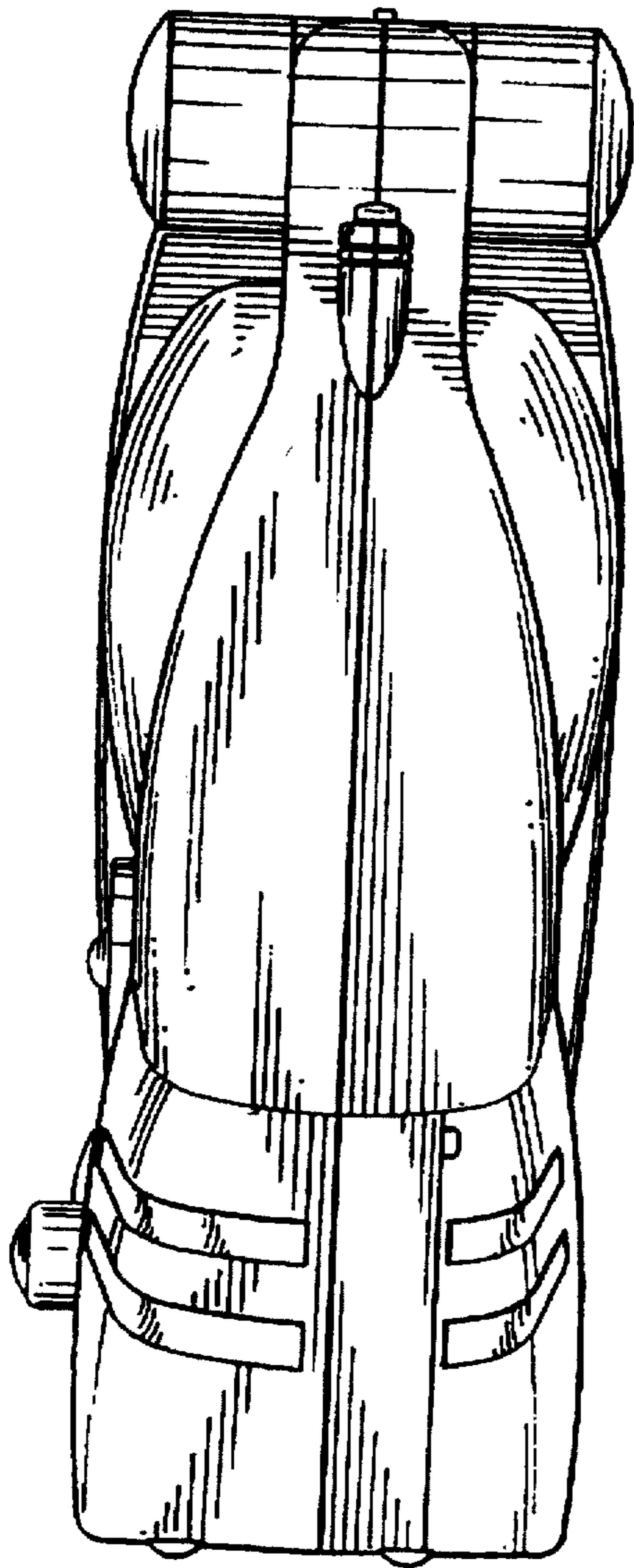


FIGURE 3

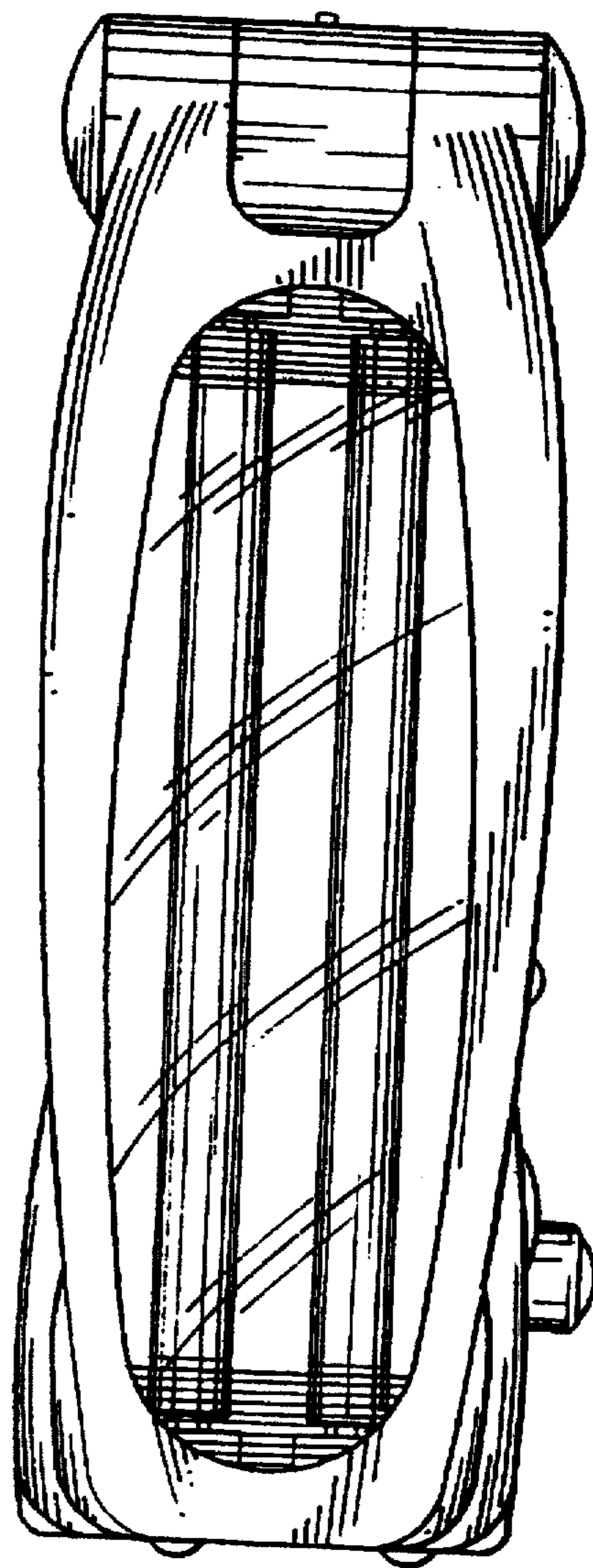


FIGURE 2

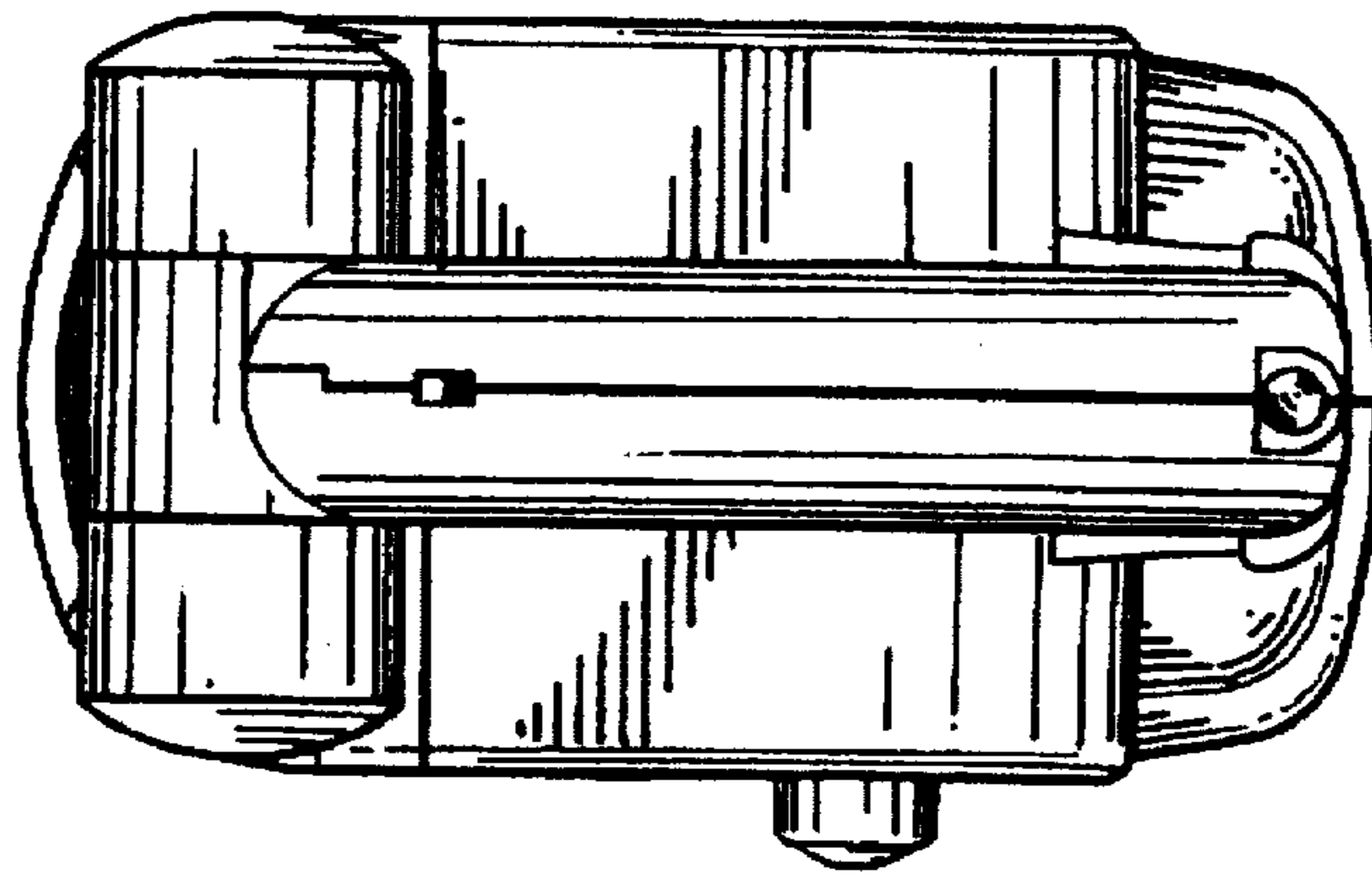


FIGURE 4

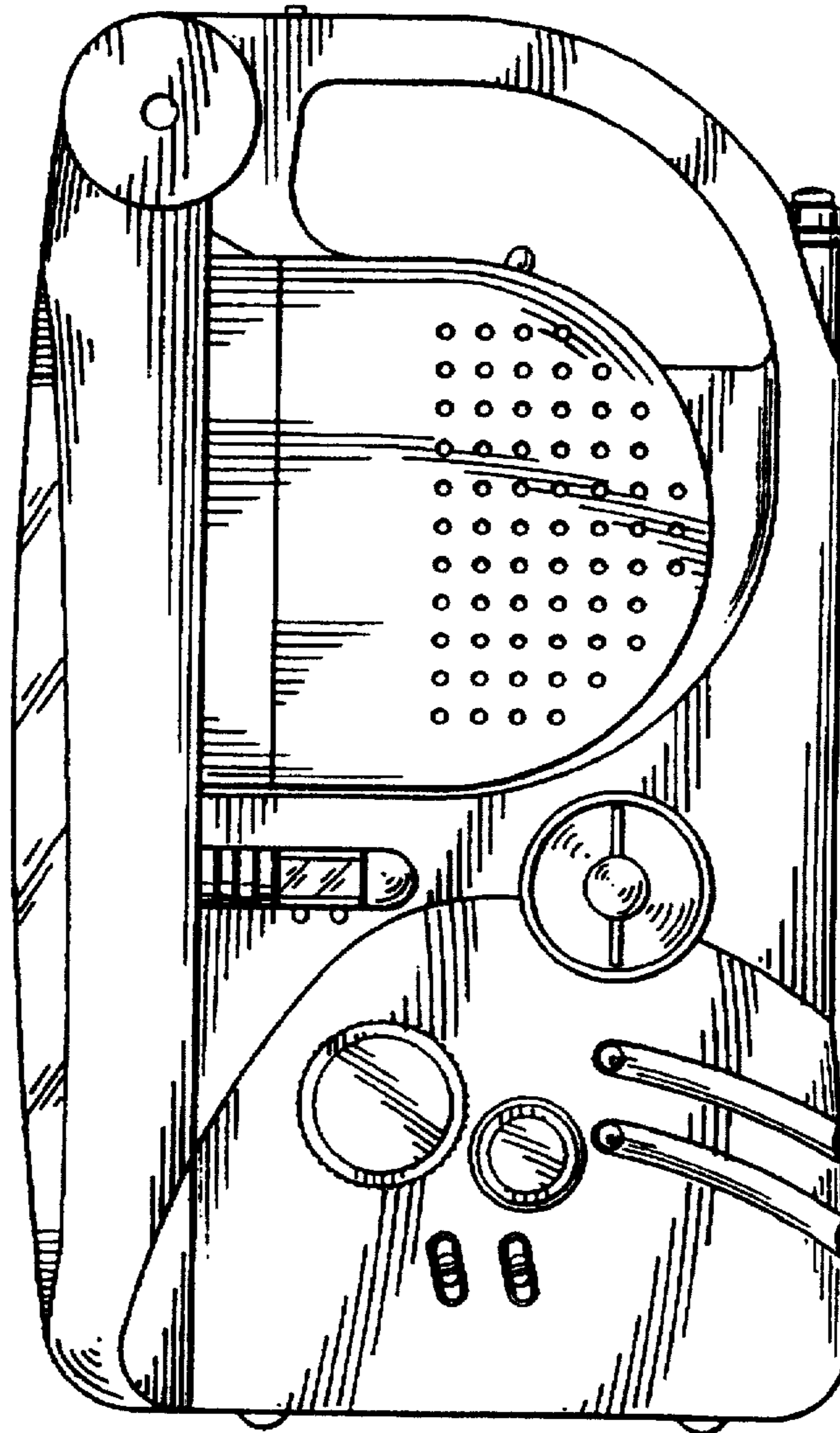


FIGURE 5

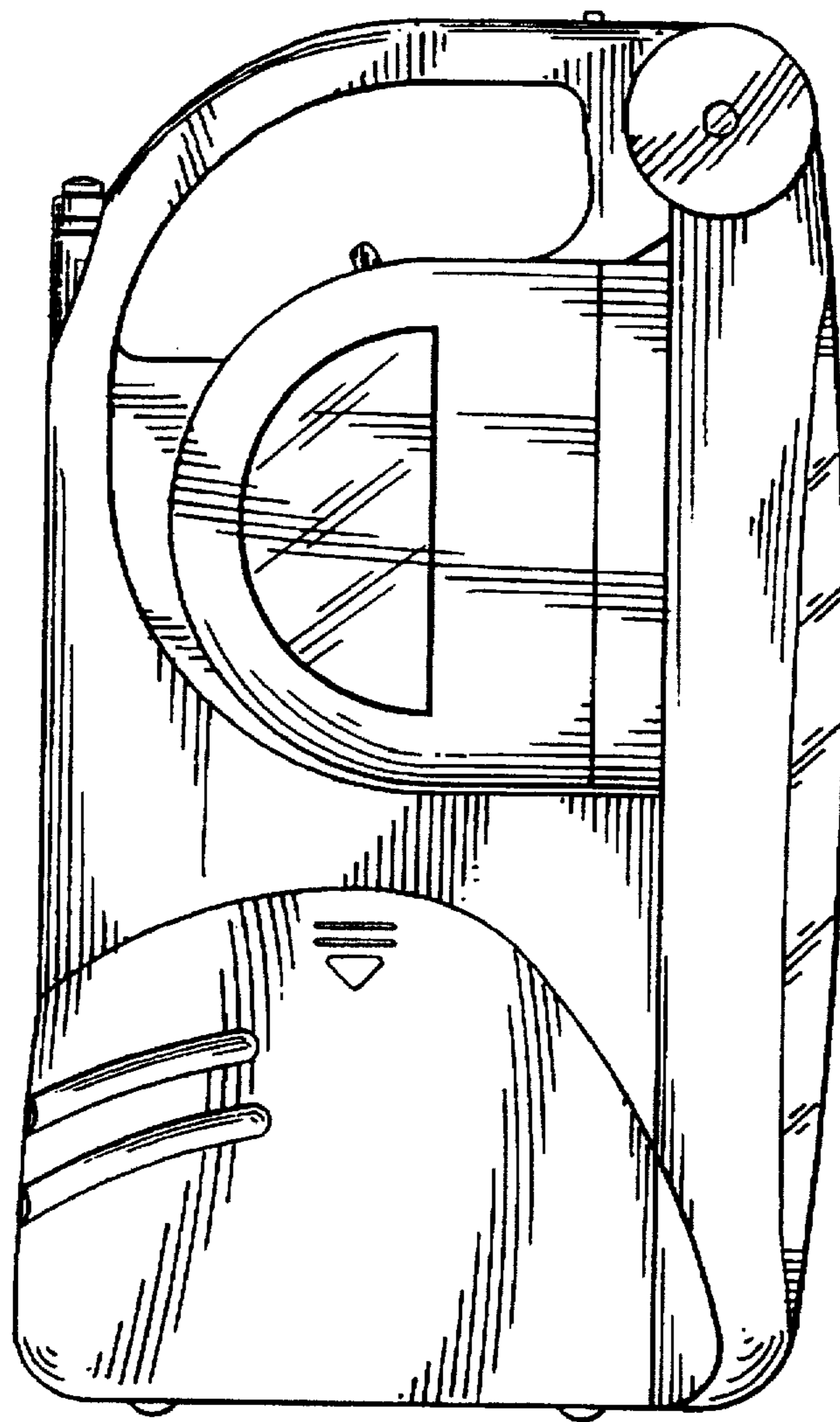


FIGURE 6

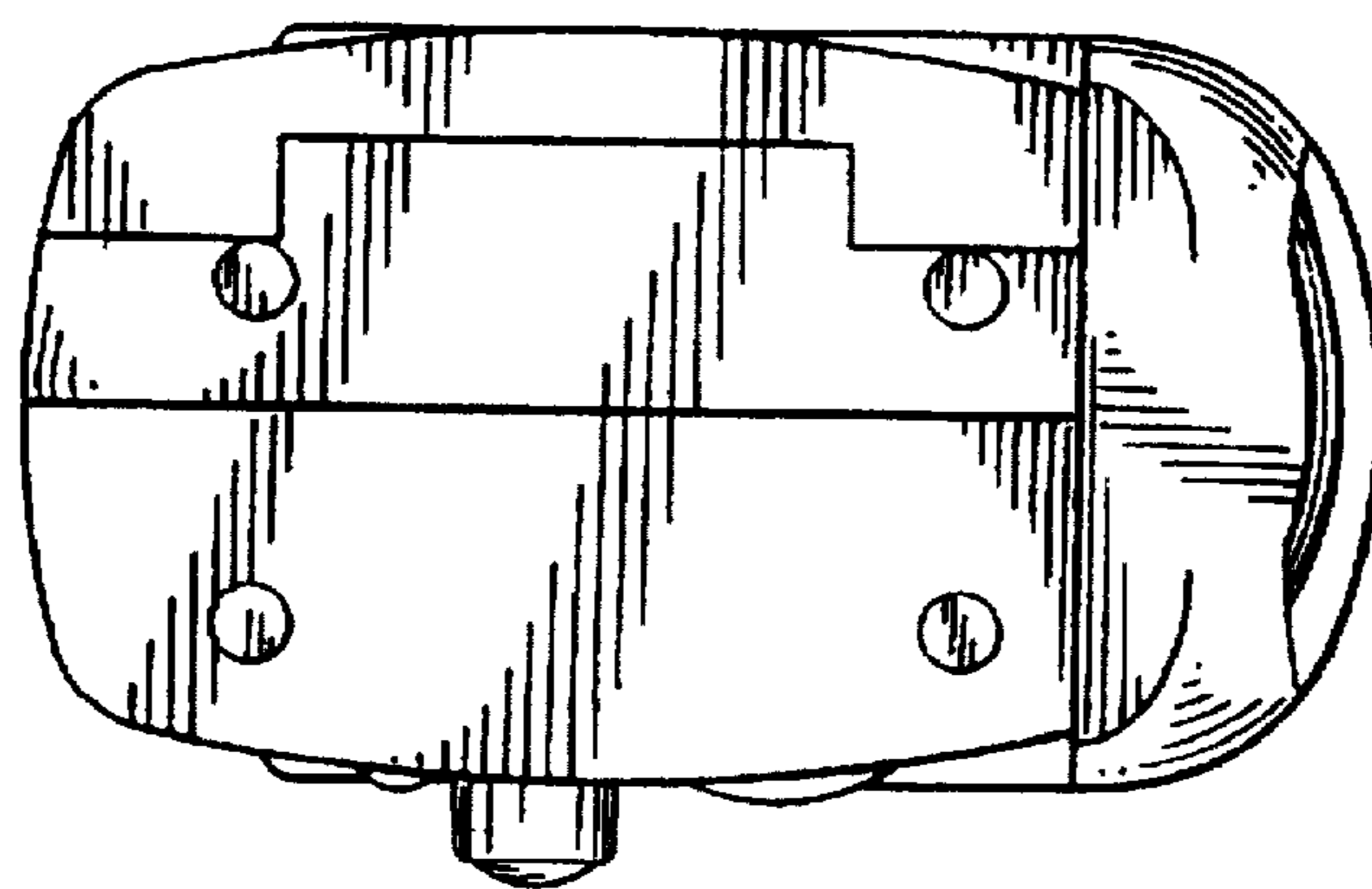


FIGURE 7

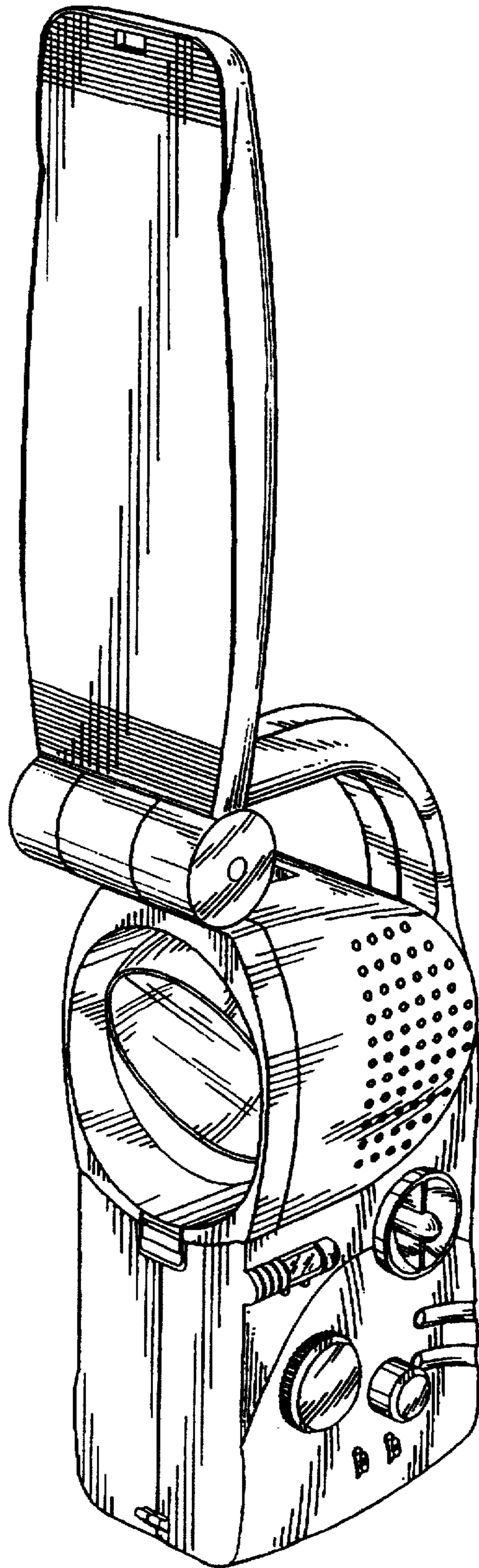


FIGURE 8