



US00D385982S

United States Patent [19]

Moore

[11] Patent Number: **Des. 385,982**

[45] Date of Patent: ****Nov. 4, 1997**

[54] **VEHICLE LAMP**

[76] Inventor: **Dennis G. Moore**, 2602 Superior, Livermore, Calif. 94550

[**] Term: **14 Years**

[21] Appl. No.: **59,993**

[22] Filed: **Sep. 19, 1996**

[51] LOC (6) Cl. **26-06**

[52] U.S. Cl. **D26/28**

[58] Field of Search D26/28-35; D10/114; 362/61, 80, 80.1, 81, 82, 83, 83.2, 83.3, 227, 235, 236, 240, 243, 362

[56] **References Cited**

U.S. PATENT DOCUMENTS

D. 217,693	5/1970	Lee	D26/28
D. 220,360	3/1971	Rossi	D26/28
D. 246,131	10/1977	Schifrin	D26/28
D. 269,210	5/1983	Cutlip et al.	D26/28

D. 293,133	12/1987	Wood	D26/28
D. 315,217	3/1991	Gordon	D26/28
D. 334,821	4/1993	Morgan	D26/28

Primary Examiner—Marcus A. Jackson
Attorney, Agent, or Firm—August E. Roehrig, Jr.

[57] **CLAIM**

The ornamental design for a vehicle lamp, as shown and described.

DESCRIPTION

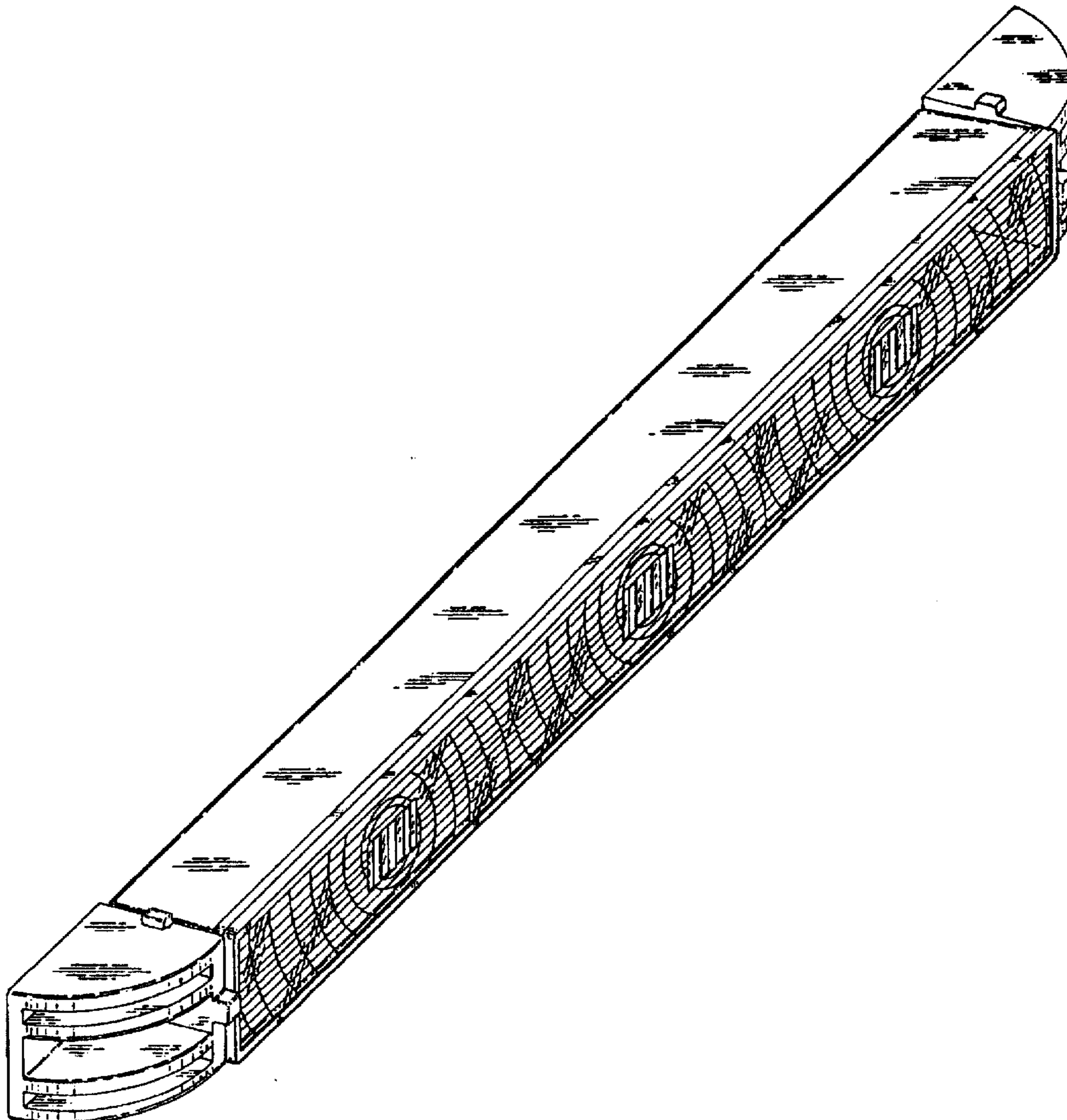
FIG. 1 is a front perspective view of the vehicle lamp of my invention;

FIG. 2 is an end elevational view of the left side of my vehicle lamp, the right side being a mirror image thereof;

FIG. 3 is a top plan view of the vehicle lamp illustrated in FIG. 1; and,

FIG. 4 is a front elevational view of the vehicle lamp illustrated in FIG. 1.

1 Claim, 2 Drawing Sheets



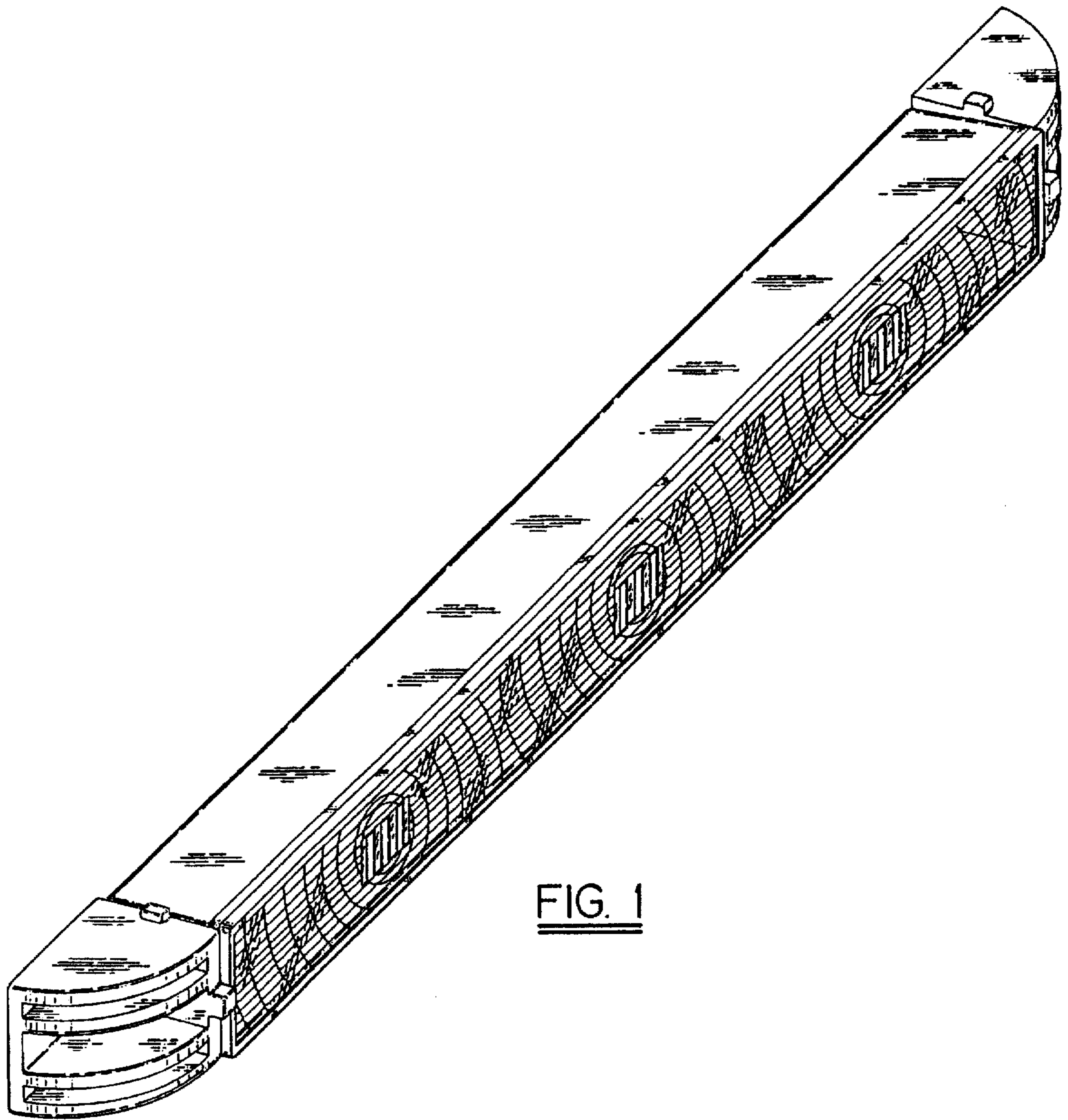


FIG. 1

FIG. 2

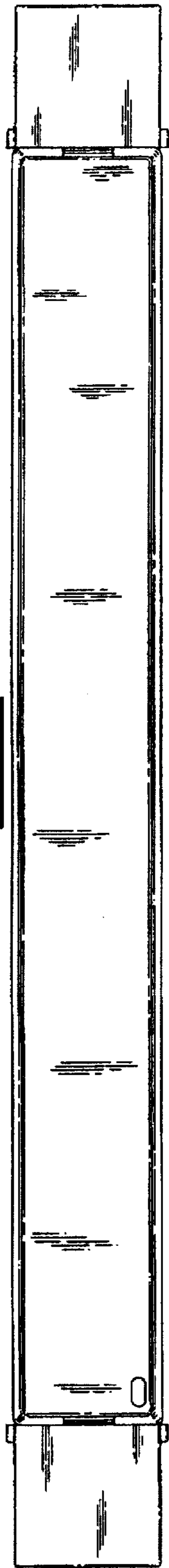


FIG. 3

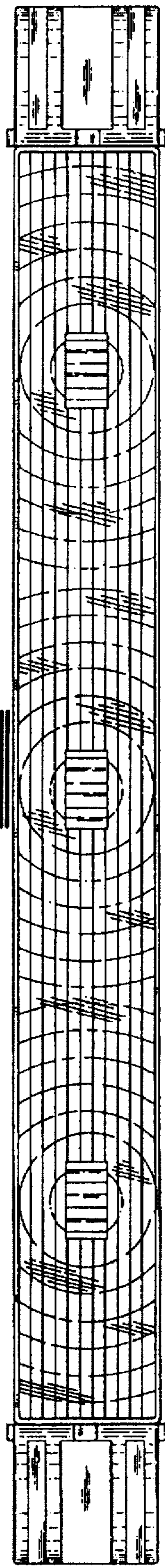


FIG. 4

