



US00D385972S

# United States Patent [19] Jarrell

[11] Patent Number: **Des. 385,972**

[45] Date of Patent: **\*\*Nov. 4, 1997**

[54] **WINDOW COMPONENT EXTRUSION**

[75] Inventor: **Robert B. Jarrell**, Seattle, Wash.

[73] Assignee: **Mikron Industries, Inc.**, Kent, Wash.

[\*\*] Term: **14 Years**

[21] Appl. No.: **58,620**

[22] Filed: **Aug. 13, 1996**

[51] LOC (6) Cl. .... **25-01**

[52] U.S. Cl. .... **D25/124**

[58] Field of Search ..... **D25/52, 60, 119-125;  
52/204.5; 49/501, 504, DIG. 2**

[56] **References Cited**

**U.S. PATENT DOCUMENTS**

- D. 353,896 12/1994 Dallaire et al. .... D25/124
- 5,461,837 10/1995 Chaney et al. .... D25/124

**OTHER PUBLICATIONS**

Window Component Extrusion 6212, Mikron Industries, Inc. Not published sold, offered for sale, or publically used more than 1 yr. prior to filing date of this application by assignee of present invention.

*Primary Examiner*—Doris Clark  
*Attorney, Agent, or Firm*—Richardson & Folise

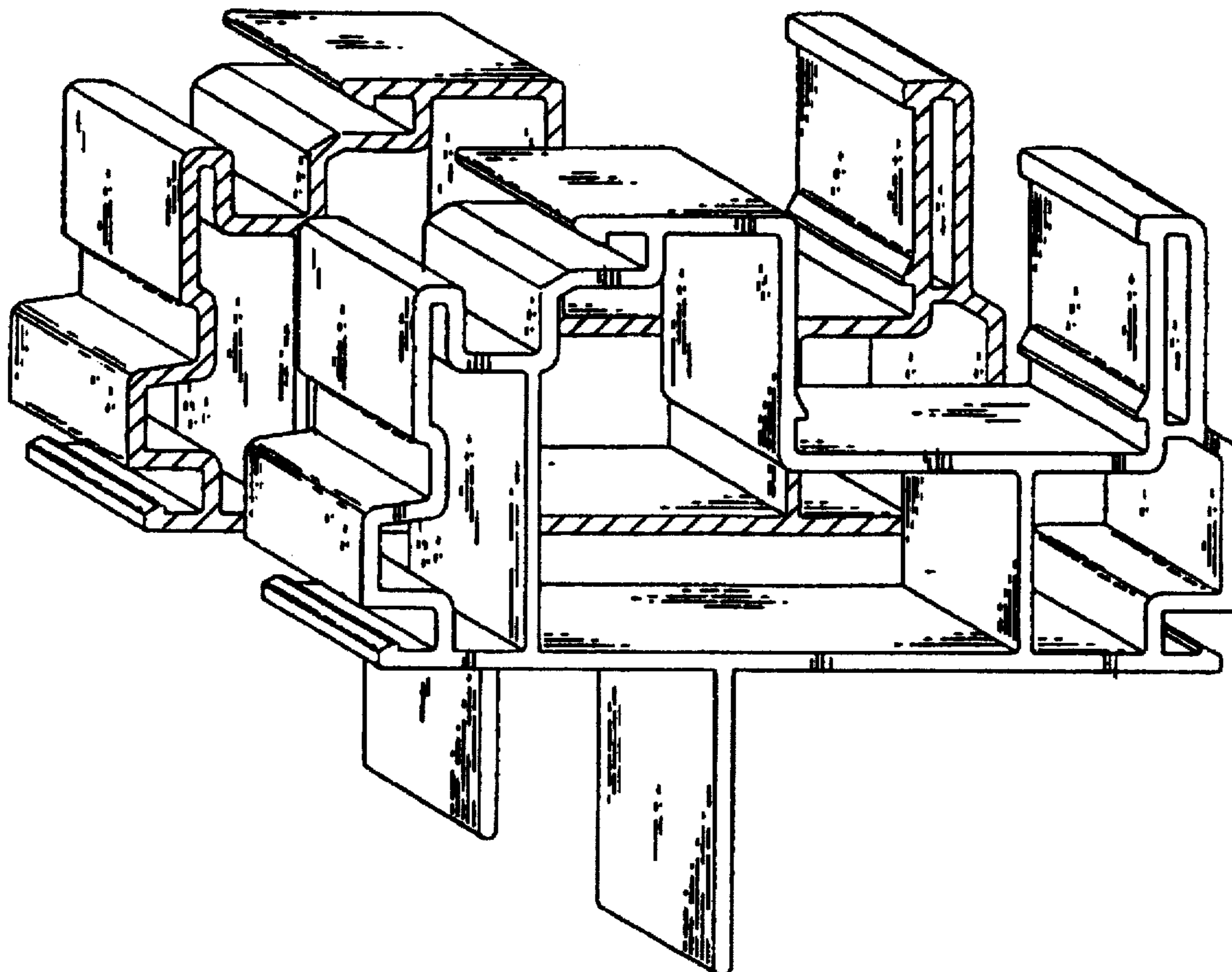
[57] **CLAIM**

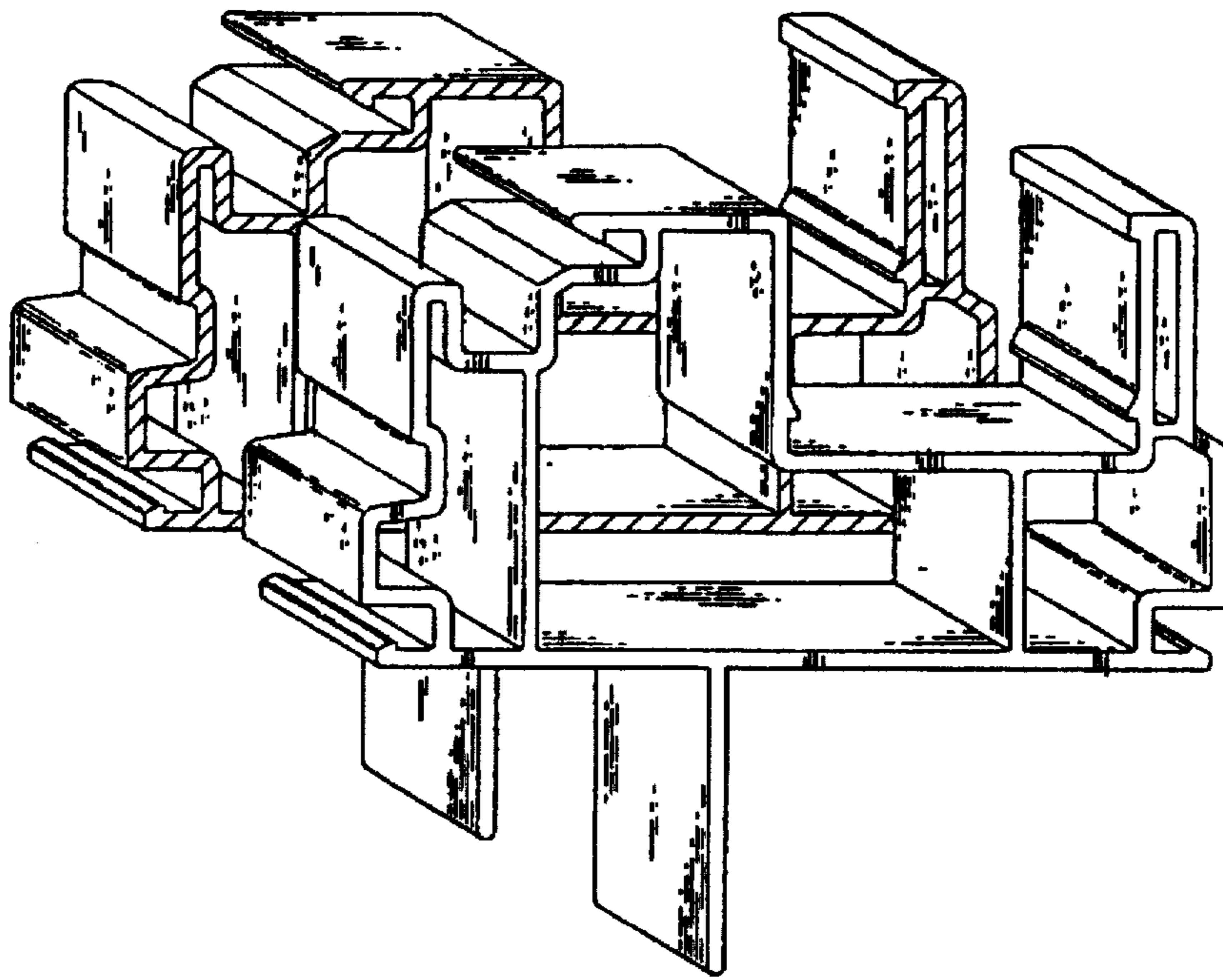
The ornamental design for a window component extrusion, as shown and described.

**DESCRIPTION**

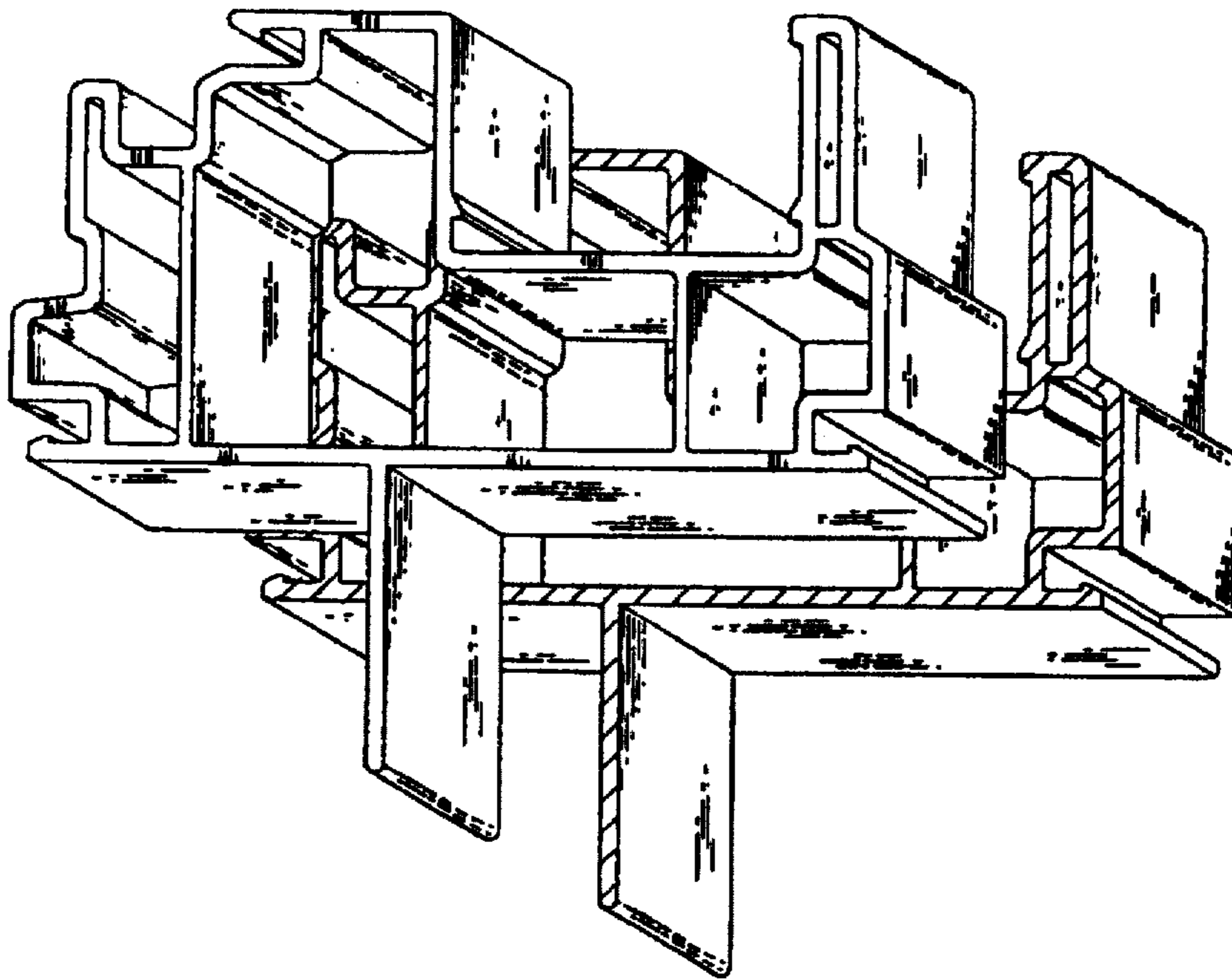
FIG. 1 is a top right perspective view of the window component extrusion which is broken in the center indicating indefinite length; and, FIG. 2 is a bottom left perspective view of the window component extrusion shown in FIG. 1.

**1 Claim, 1 Drawing Sheet**





*FIG. 1*



*FIG. 2*