



US00D385971S

# United States Patent [19]

Franson

[11] Patent Number: **Des. 385,971**

[45] Date of Patent: **\*\*Nov. 4, 1997**

[54] **WINDOW COMPONENT EXTRUSION**

[75] Inventor: **Jeffrey R. Franson, Kent, Wash.**

[73] Assignee: **Mikron Industries, Inc., Kent, Wash.**

[\*\*] Term: **14 Years**

[21] Appl. No.: **58,616**

[22] Filed: **Aug. 13, 1996**

[51] LOC (6) Cl. .... **25-01**

[52] U.S. Cl. .... **D25/124**

[58] Field of Search ..... **D25/52, 60, 119-125;  
52/204.5; 49/501, 504, DIG. 2**

[56] **References Cited**

**U.S. PATENT DOCUMENTS**

- D. 325,094 3/1992 Dallaire ..... D25/124
- D. 338,974 8/1993 Cole ..... D25/124

**OTHER PUBLICATIONS**

Window Component Extrusion 7096, Mikron Industries, Inc. Not published sold, offered for sale or publically used more than 1 yr. prior to filing date of present application by assignee of present invention.

Window Component Extrusion 6894, Mikron Industries, Inc. Not published sold, offered for sale, or publically used more than 1 yr. prior to filing date of present application by assignee of present invention.

*Primary Examiner*—Doris Clark  
*Attorney, Agent, or Firm*—Richardson & Folise

[57] **CLAIM**

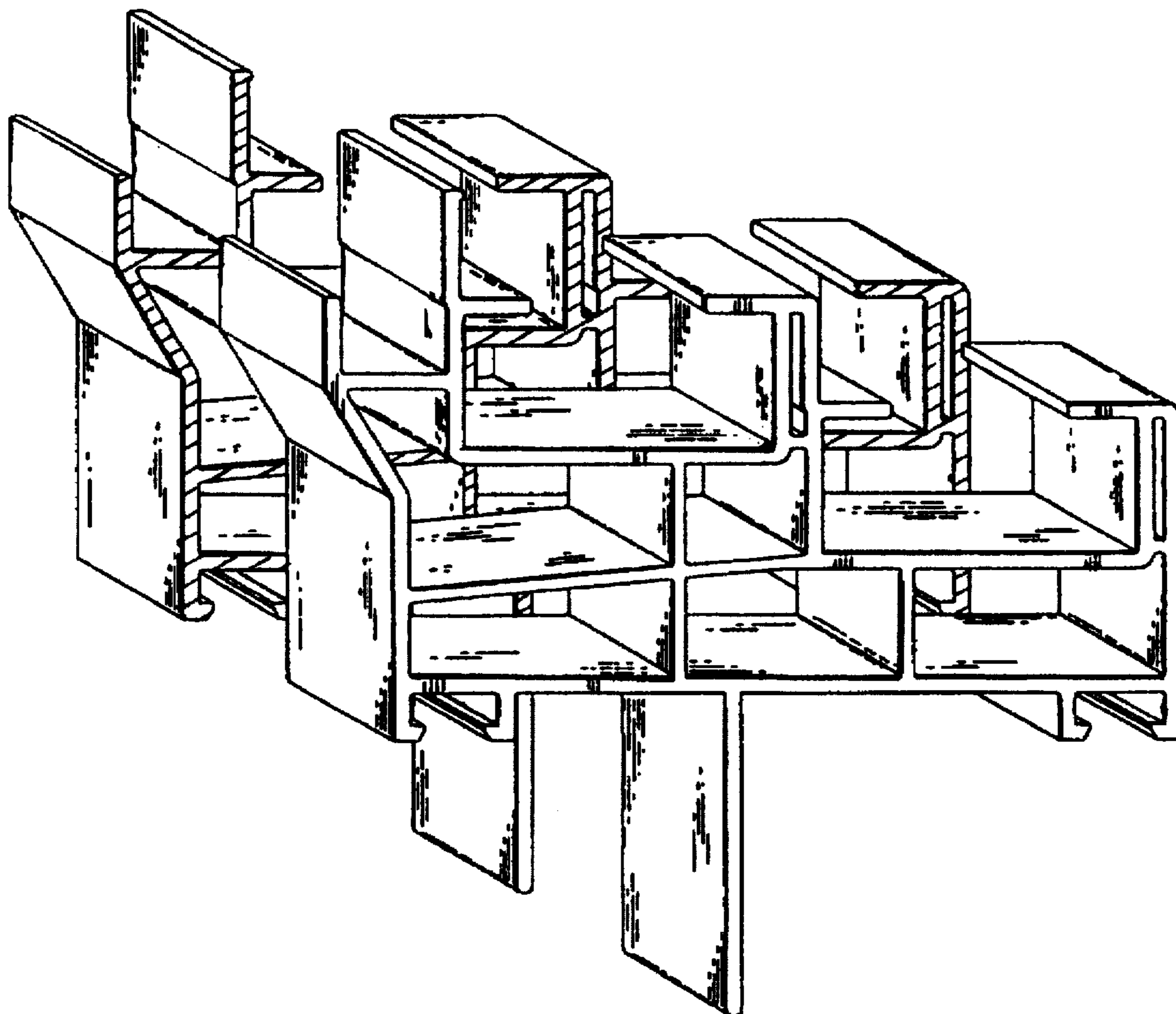
The ornamental design for a window component extrusion, as shown and described.

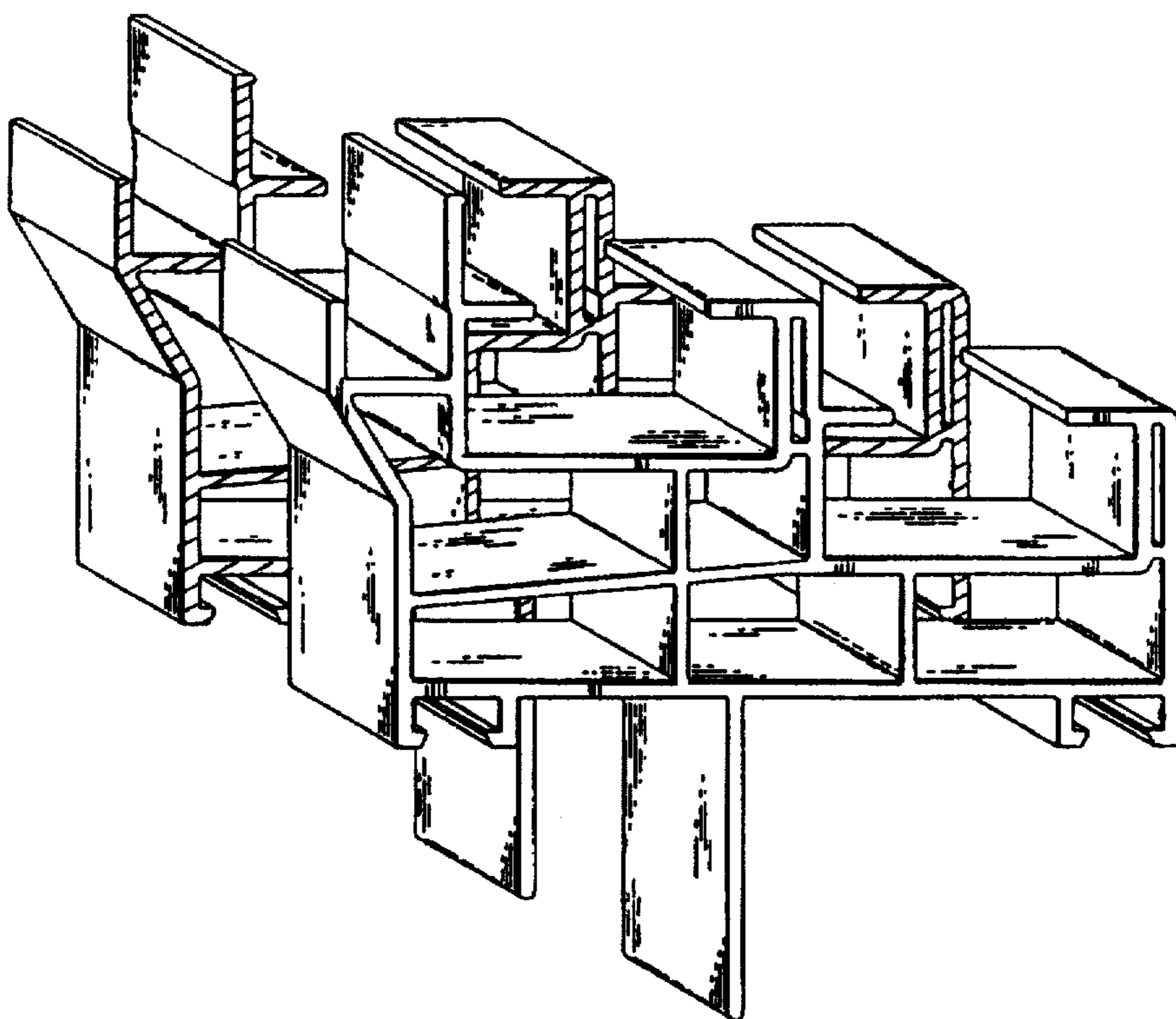
**DESCRIPTION**

FIG. 1 is a top right perspective view of the window component extrusion which is broken in the center indicating indefinite length; and,

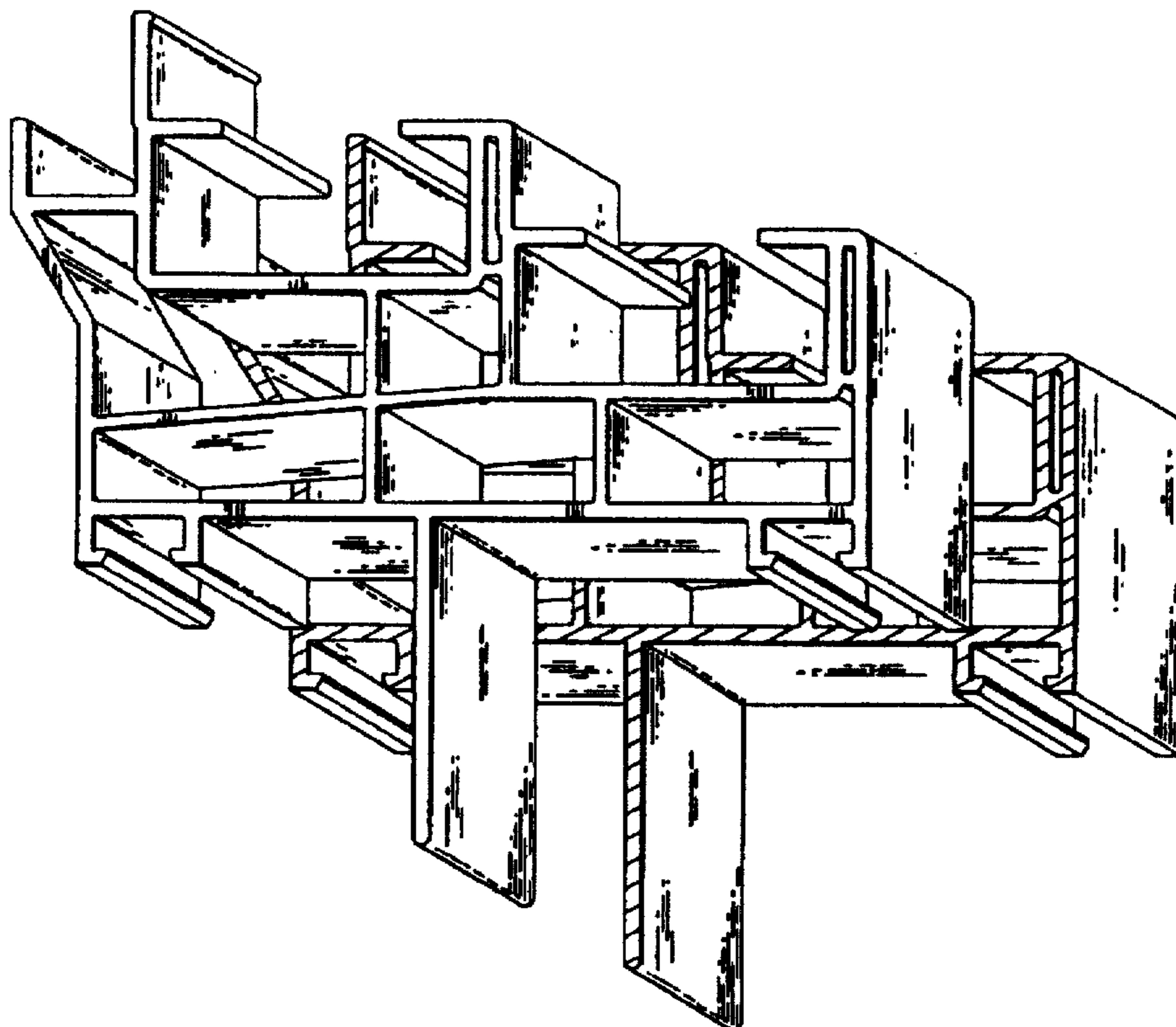
FIG. 2 is a bottom left perspective view of the window component extrusion shown in FIG. 1.

**1 Claim, 1 Drawing Sheet**





*FIG. 1*



*FIG. 2*