



US00D385970S

United States Patent [19]

Cholley

[11] **Patent Number: Des. 385,970**

[45] **Date of Patent: **Nov. 4, 1997**

[54] **PREFABRICATED STEP UNIT FOR SWIMMING POOLS**

D. 271,137 10/1983 Kohler, Jr. et al. D25/2
D. 326,159 5/1992 Eikhoff D25/69
D. 349,965 8/1994 Weir D25/2

[75] **Inventor: Andre Cholley, Seppois-le-Bas, France**

Primary Examiner—Doris Clark
Attorney, Agent, or Firm—Abelman, Frayne & Schwab

[73] **Assignee: Waterair Industries, Seppois-le-Bas, France**

[**] **Term: 14 Years**

[57] **CLAIM**

[21] **Appl. No.: 57,212**

The ornamental design for prefabricated step unit for swimming pools, as shown and described.

[22] **Filed: Jul. 19, 1996**

DESCRIPTION

[30] **Foreign Application Priority Data**

Jan. 22, 1996 [FR] France 960410

FIG. 1 is a perspective view, showing my new design;

[51] **LOC (6) Cl. 25-04**

FIG. 2 is a top plan view thereof;

[52] **U.S. Cl. D25/69; D25/2**

FIG. 3 is a front view thereof;

[58] **Field of Search D25/2; 4/488,**

FIG. 4 is a left side elevation view thereof;

4/506, 496; D24/203, 204

FIG. 5 is a right side elevation view thereof;

FIG. 6 is a rear view thereof; and,

[56] **References Cited**

FIG. 7 is a bottom view thereof.

U.S. PATENT DOCUMENTS

D. 251,016 2/1979 Stangle D25/2

1 Claim, 4 Drawing Sheets

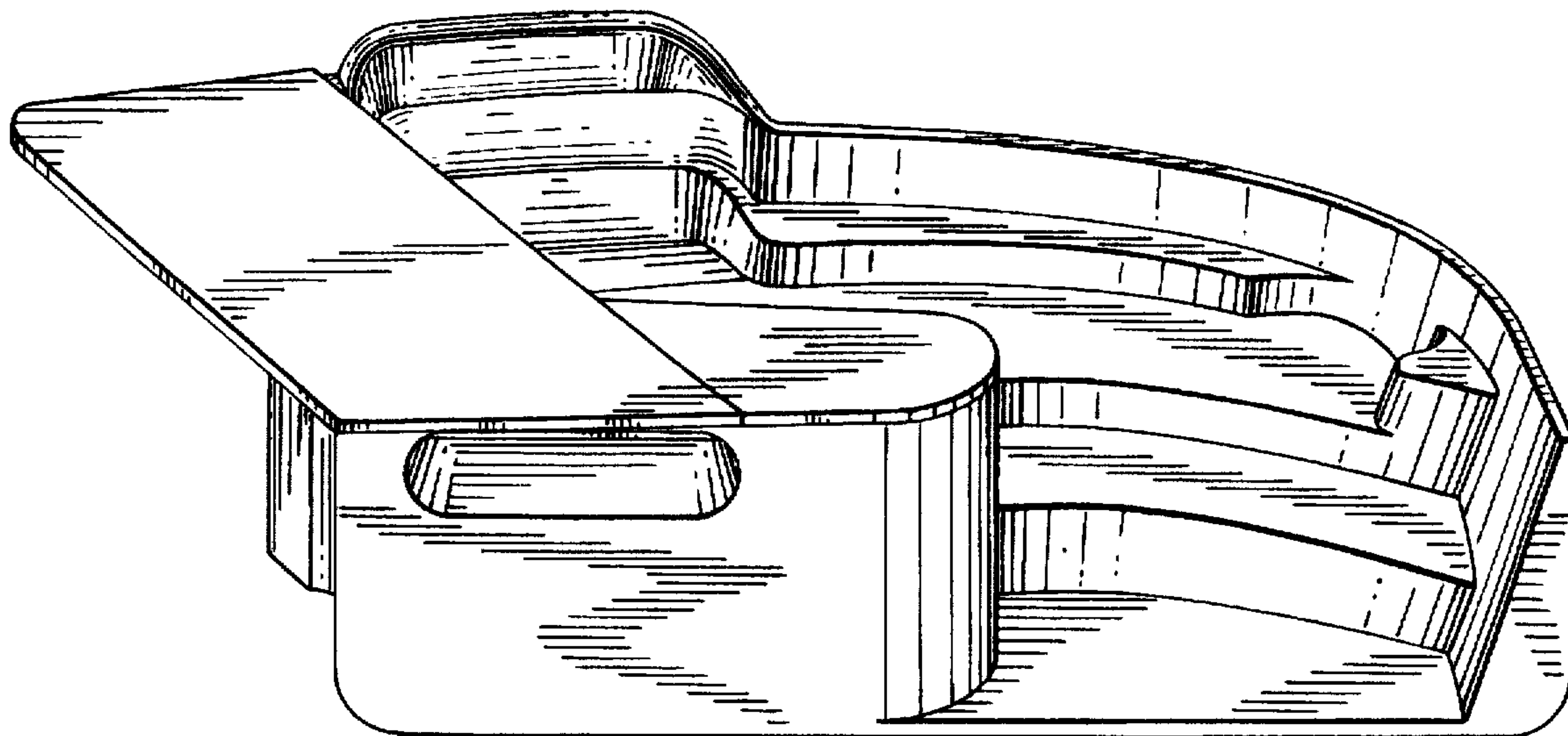


FIG. 1

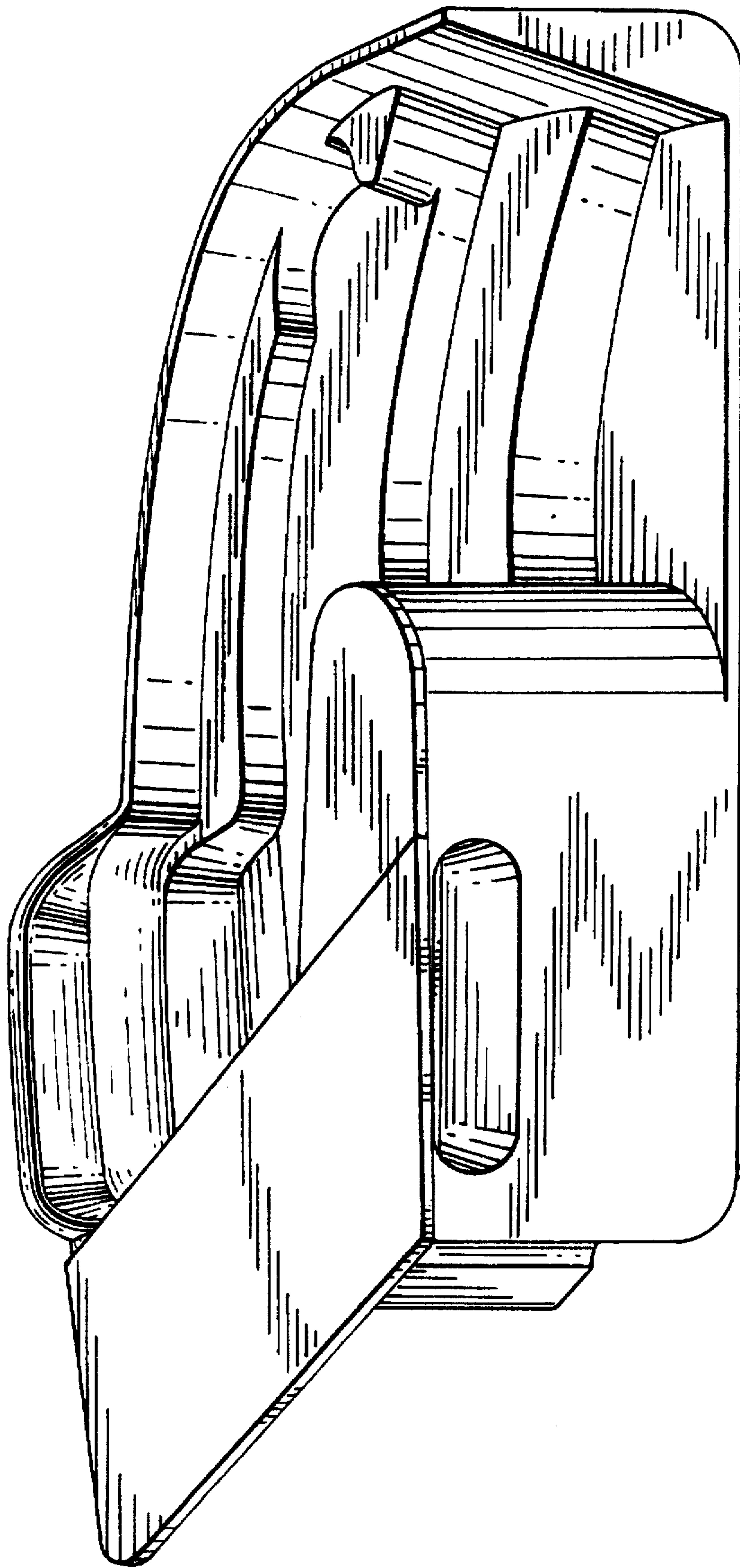


FIG. 2

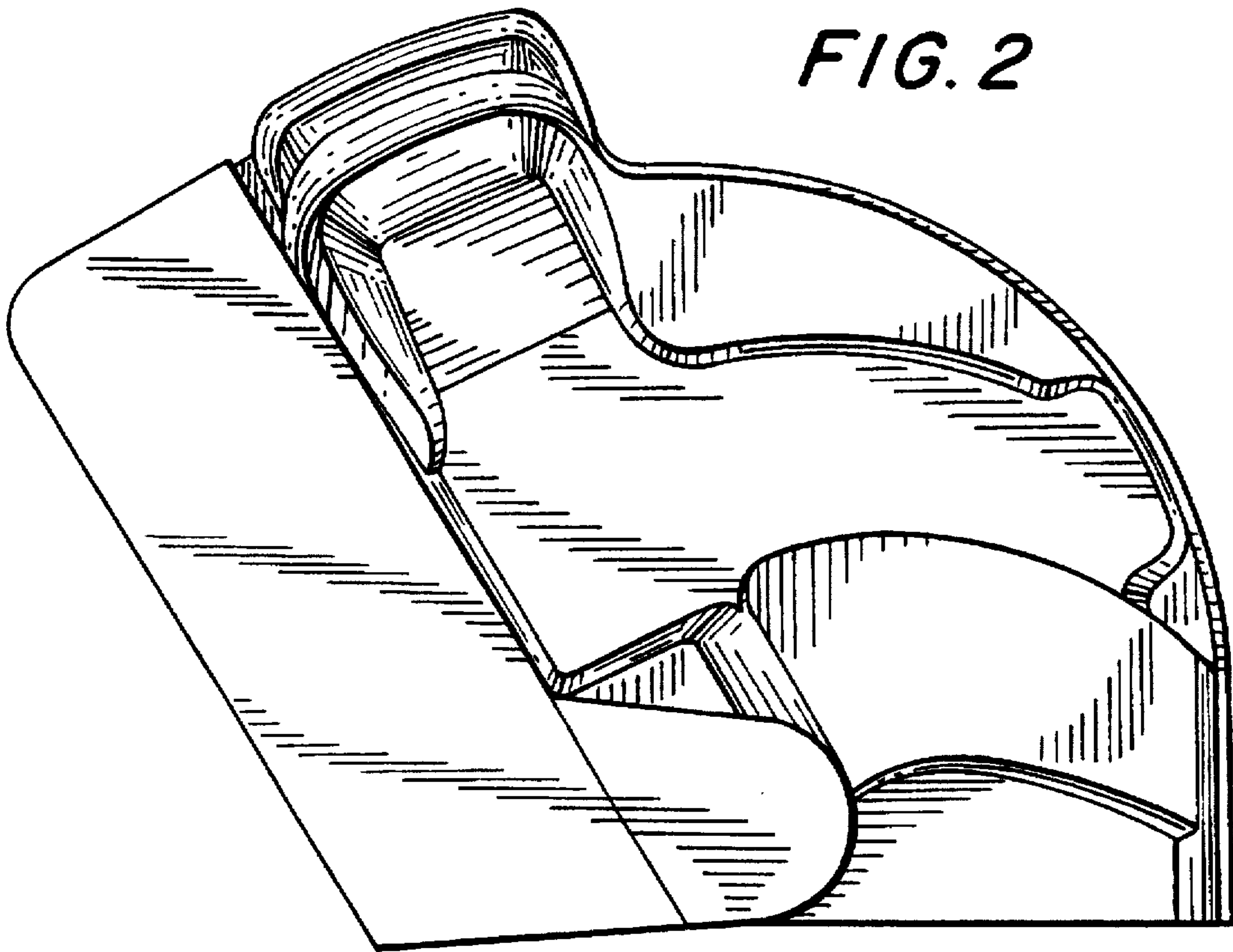


FIG. 3

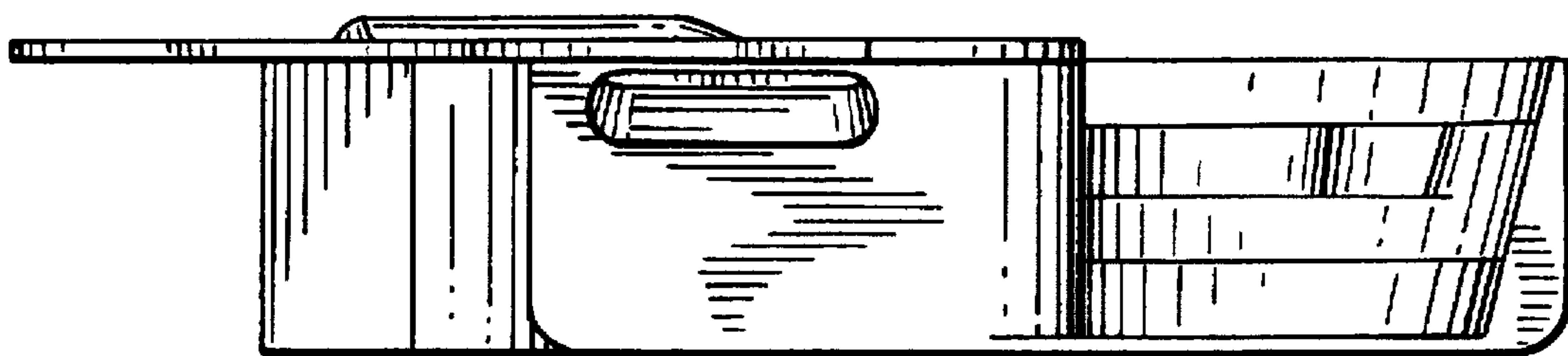


FIG. 4

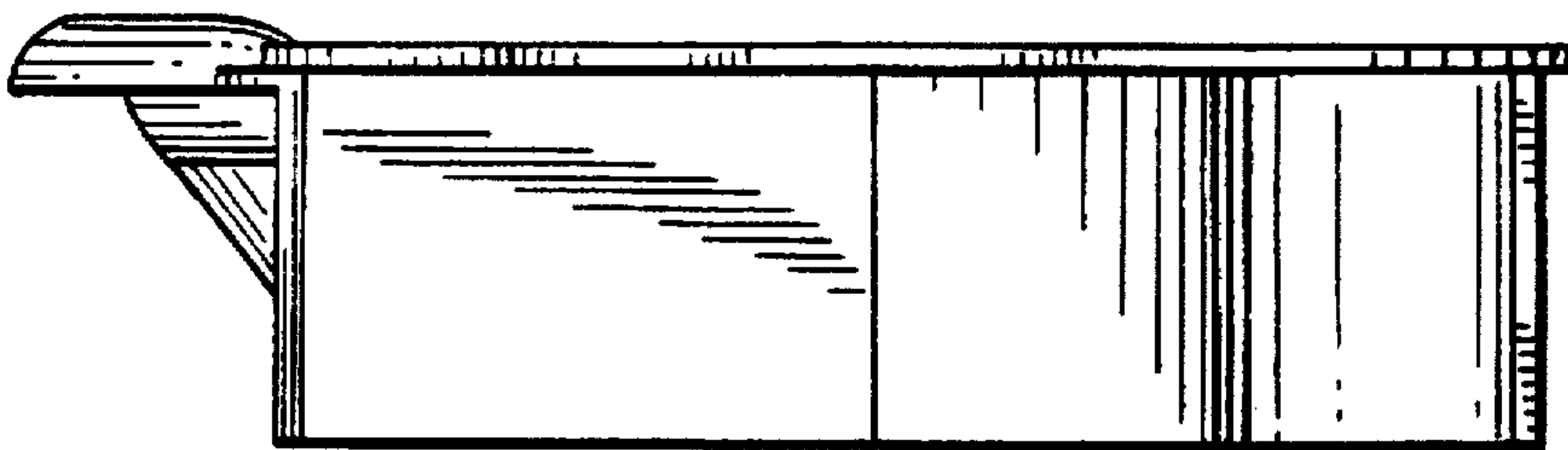


FIG. 5

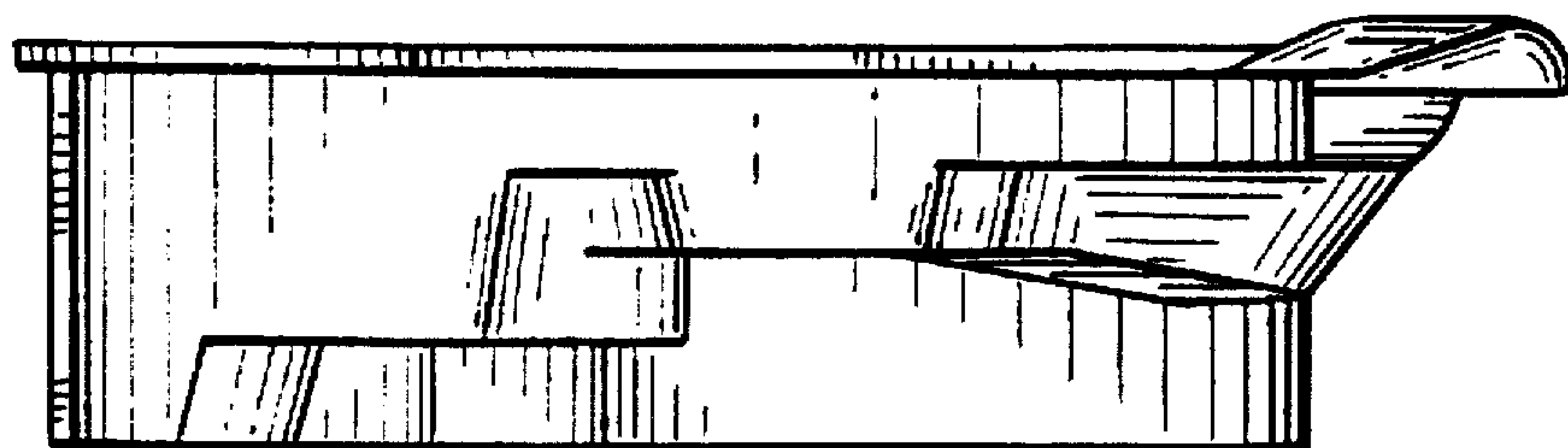


FIG. 6

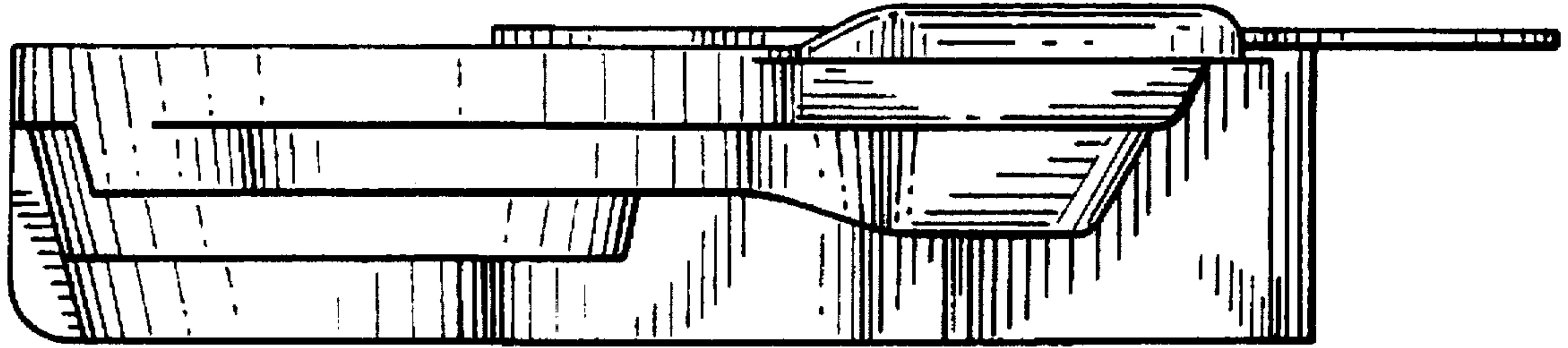


FIG. 7

