



US00D385966S

United States Patent [19]
Katoh

[11] **Patent Number:** **Des. 385,966**
[45] **Date of Patent:** ****Nov. 4, 1997**

[54] **DOOR**

[75] **Inventor:** **Chikahisa Katoh**, Utsunomiya, Japan

[73] **Assignee:** **Katohkenshou Kabushiki Kaisha**,
Utsunomiya, Japan

[**] **Term:** **14 Years**

[21] **Appl. No.:** **60,380**

[22] **Filed:** **Sep. 27, 1996**

[51] **LOC (6) Cl.** **25-02**

[52] **U.S. Cl.** **D25/48**

[58] **Field of Search** **D25/48; 49/501;**
52/455, 456, 457, 458

[56] **References Cited**

U.S. PATENT DOCUMENTS

D. 282,782 2/1986 Juairé et al. D25/48
5,016,414 5/1991 Wang 52/456

Primary Examiner—Doris Clark
Attorney, Agent, or Firm—Eric P. Schellin

[57] **CLAIM**

The ornamental design for a door, as shown and described.

DESCRIPTION

FIG. 1 is a top plan view of a door showing my new design;
FIG. 2 is a left side elevational view thereof;
FIG. 3 is a front elevational view thereof;
FIG. 4 is a right side elevational view thereof;
FIG. 5 is a bottom plan view thereof;
FIG. 6 is a rear elevational view thereof;
FIG. 7 is a sectional view taken substantially along line 7—7
of FIG. 3;
FIG. 8 is a front elevational view, the upper and lower
windows shown opened;
FIG. 9 is a right side elevational view thereof;
FIG. 10 is a top plan view thereof;
FIG. 11 is a front, top, and left side perspective view, the
upper and lower windows shown closed; and,
FIG. 12 is a rear perspective view, the upper and lower
windows shown closed.

1 Claim, 5 Drawing Sheets

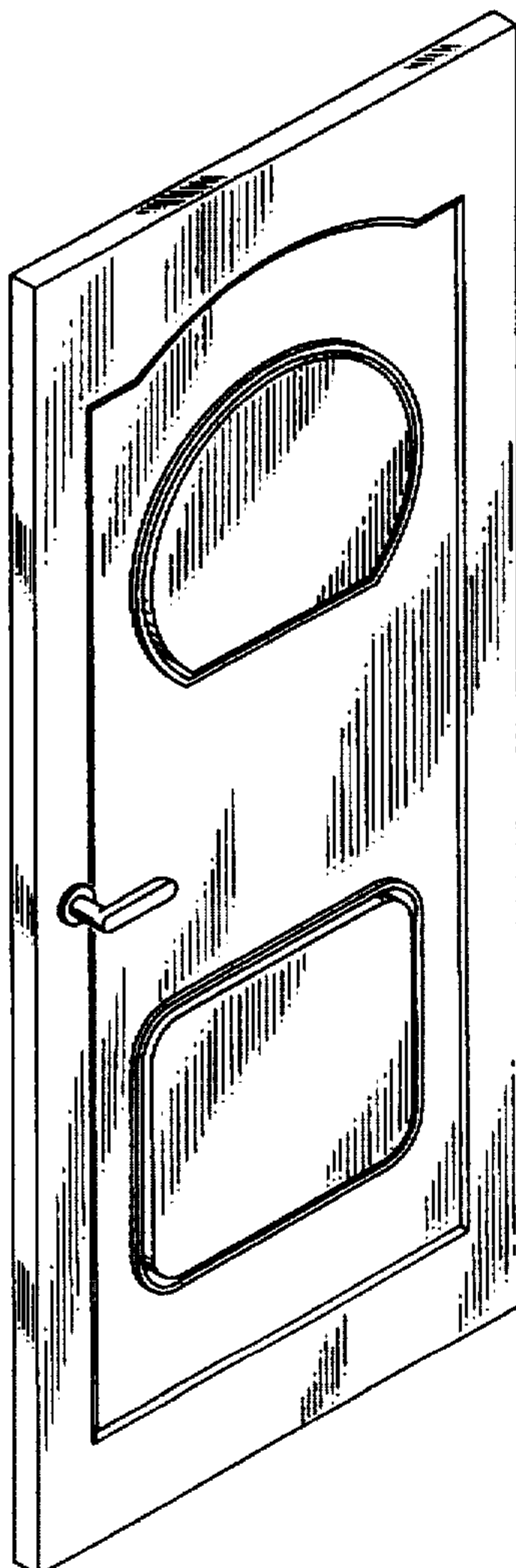


FIG. 1

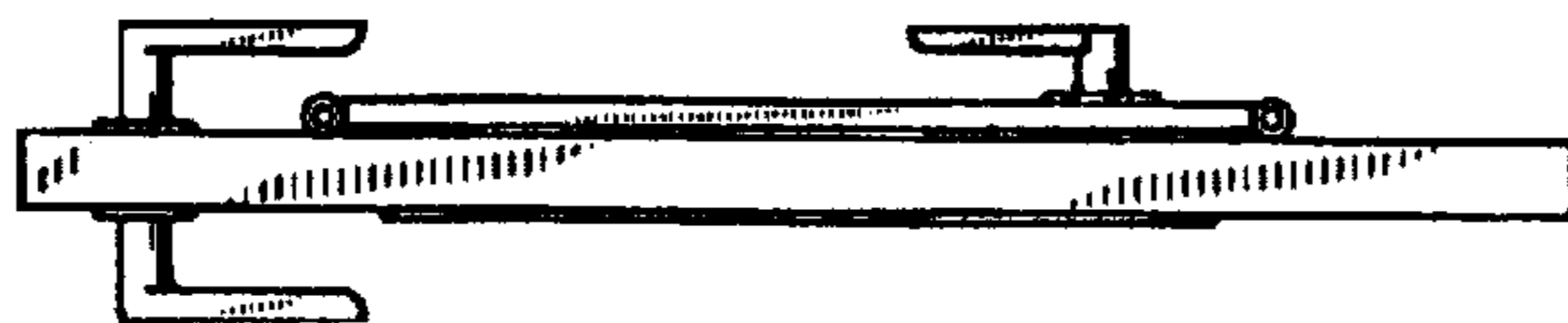


FIG. 2

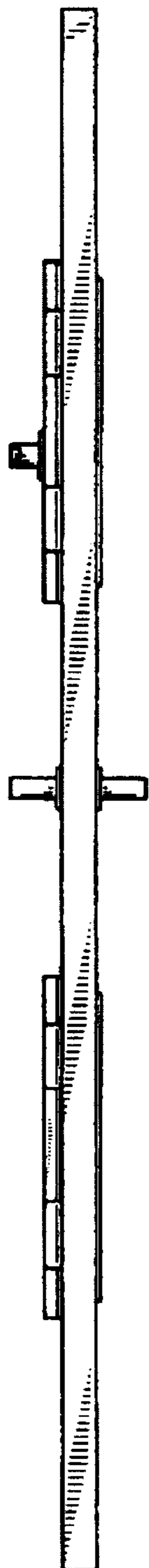


FIG. 3

7 ←

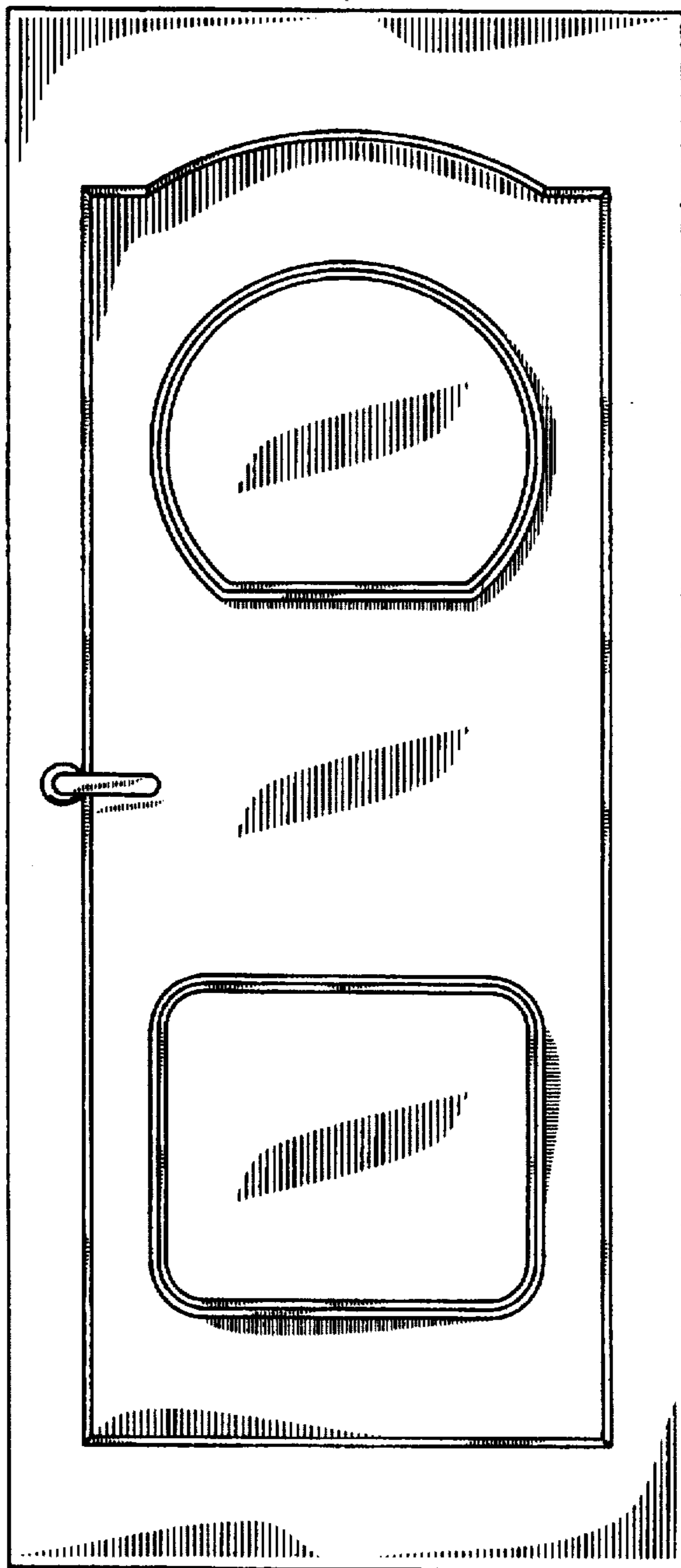
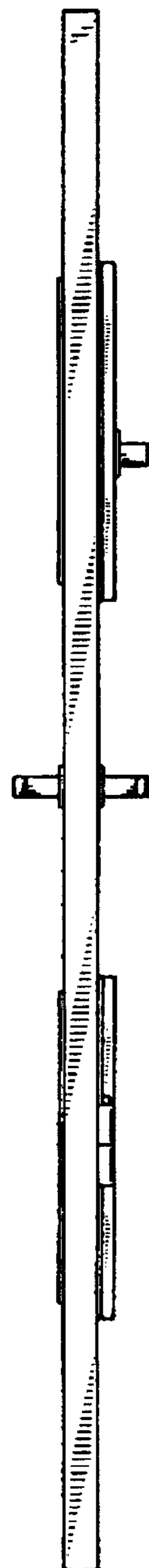


FIG. 4



7 ←

FIG. 5

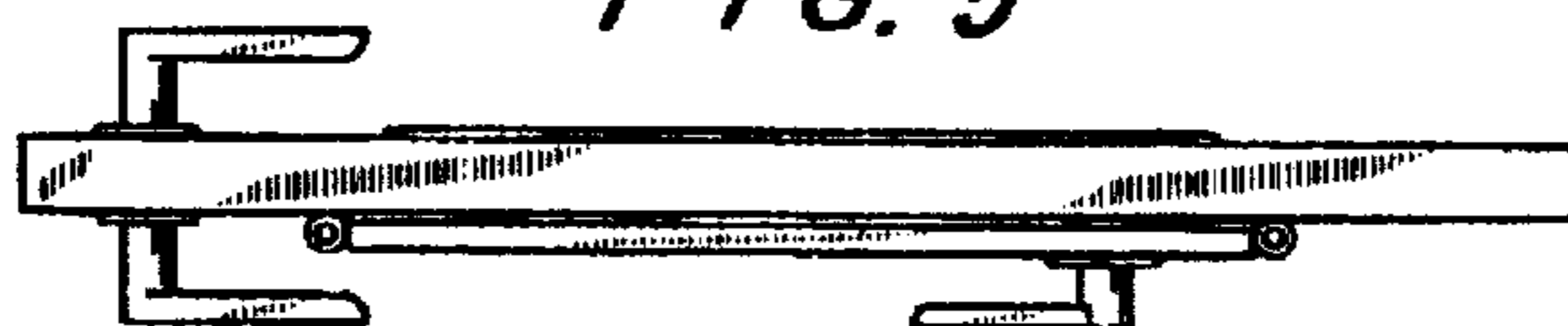


FIG. 6

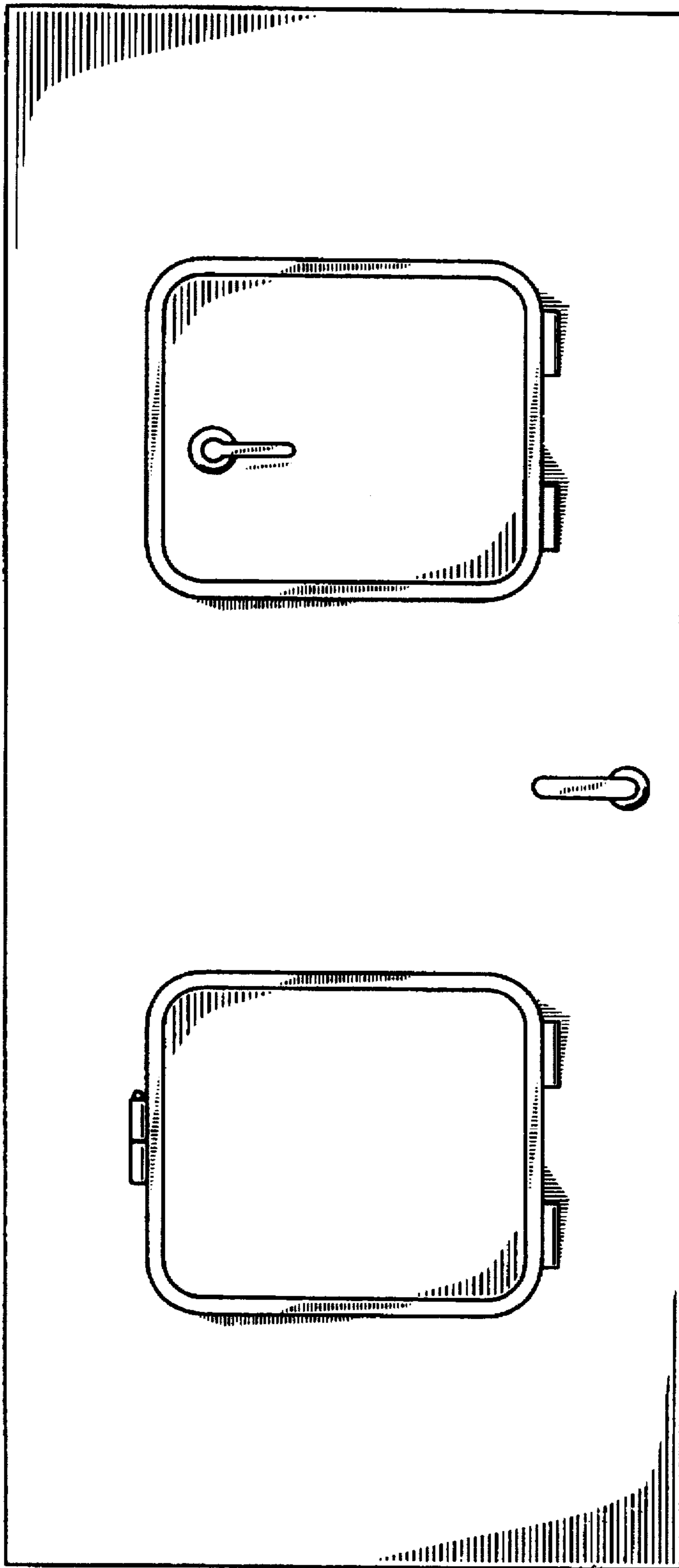


FIG. 7

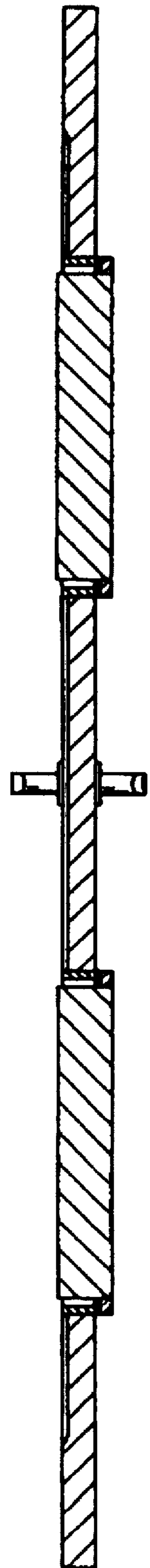


FIG. 8

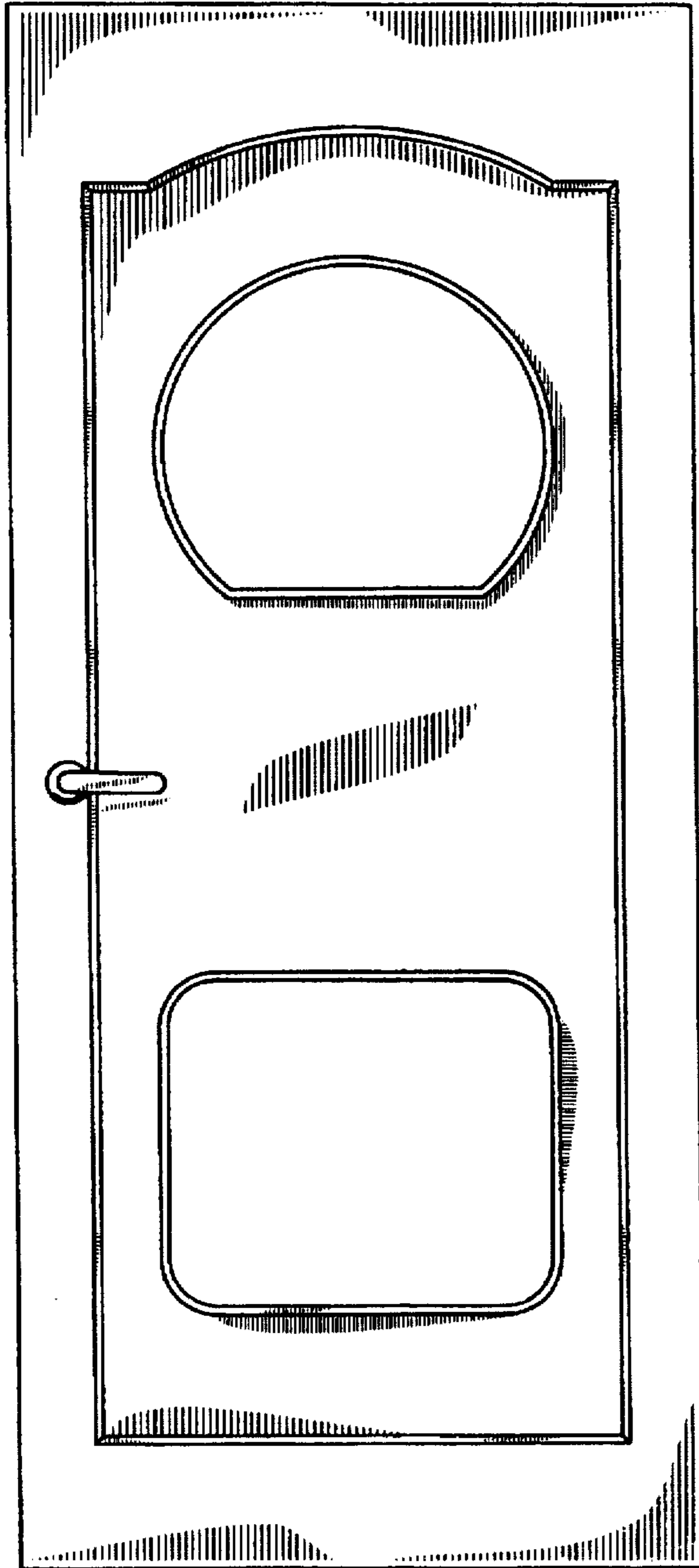


FIG. 9

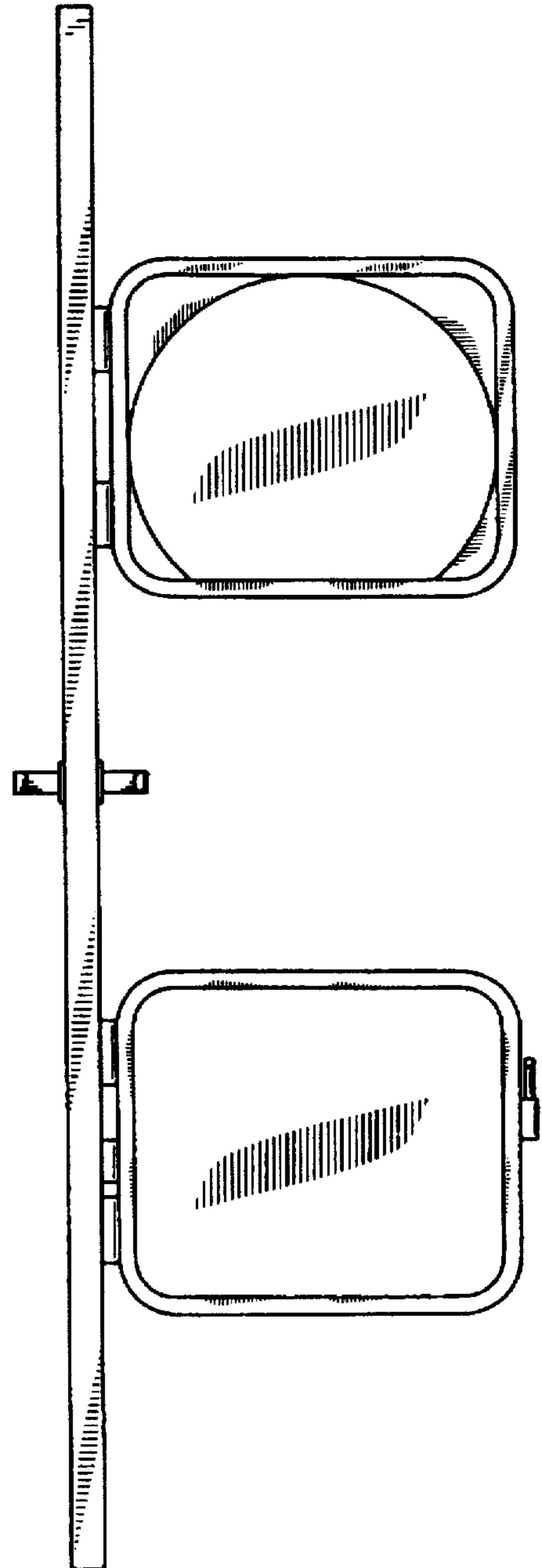


FIG. 10

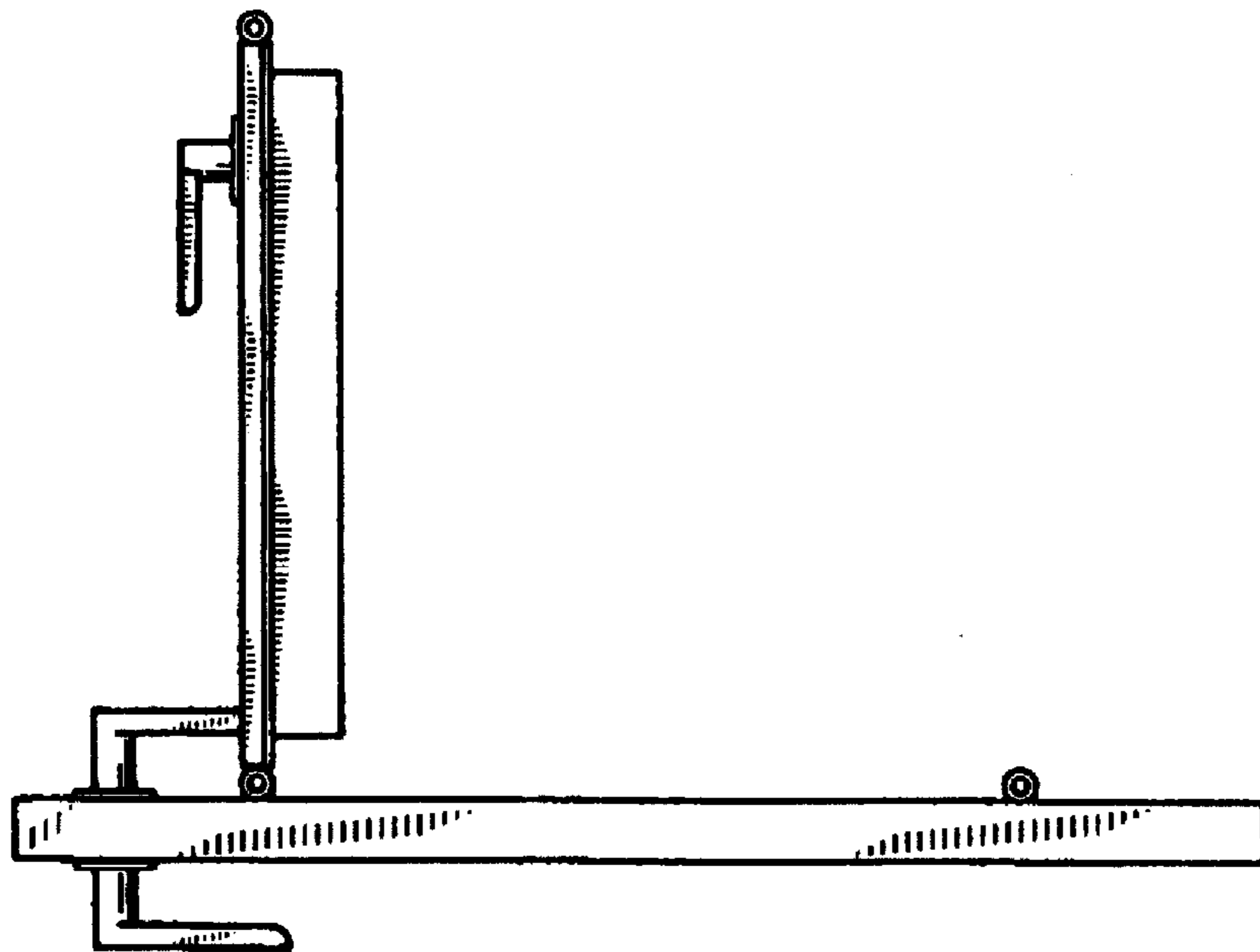


FIG. 11

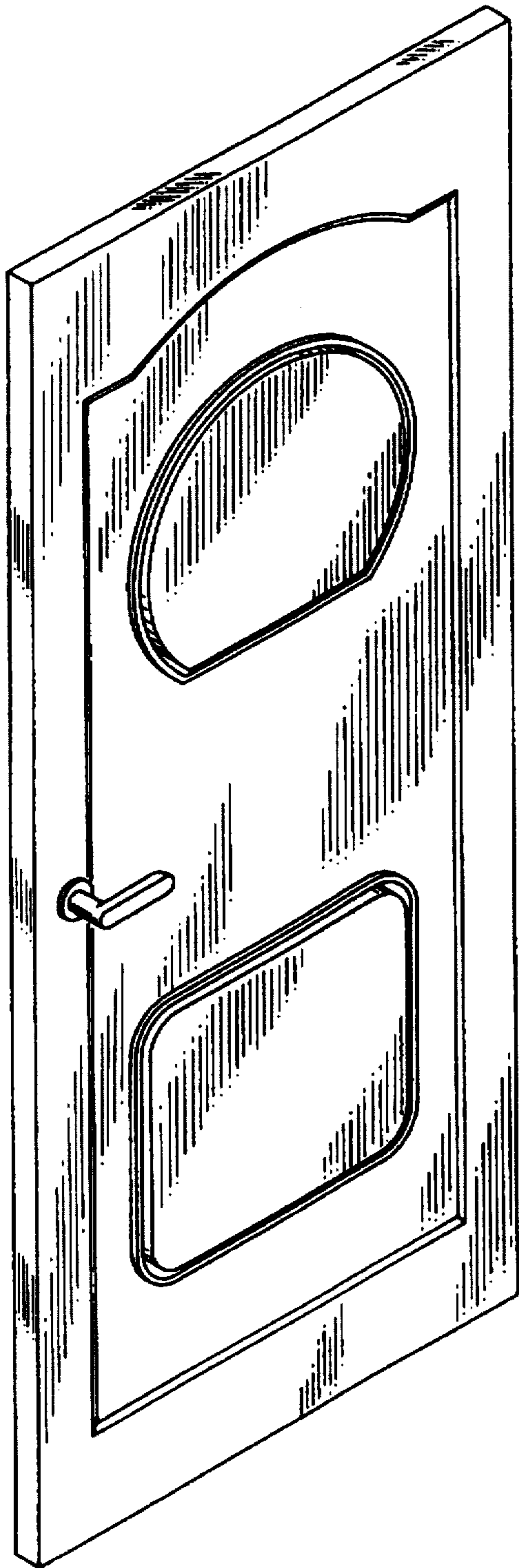


FIG. 12

