

US00D385964S

United States Patent [19] Mark

[11] Patent Number: **Des. 385,964**

[45] Date of Patent: ****Nov. 4, 1997**

[54] **DROPLET LIQUID APPLIER**

[76] Inventor: **Phillip Mark**, 6417 Marlberry Dr.,
Orlando, Fla. 32819

[**] Term: **14 Years**

[21] Appl. No.: **36,825**

[22] Filed: **Mar. 28, 1995**

[51] LOC (6) Cl. **24-02**

[52] U.S. Cl. **D24/176**

[58] Field of Search D24/176-82, 133,
D24/146, 152-4; 433/141-3; 15/244.1,
244.4; D4/104, 111, 127-8, 199

[56] **References Cited**

U.S. PATENT DOCUMENTS

D. 217,199	4/1970	Kaufman	D4/127
666,847	1/1901	Emmert	15/244.1
982,232	1/1911	Bartholomew	15/244.1

3,078,856	2/1963	Bender et al.	D24/152 X
3,577,582	5/1971	Aston	15/244.1
4,206,547	6/1980	Tanaka	D24/152 X
5,158,532	10/1992	Peng et al.	15/244.1 X

Primary Examiner—M. H. Tung
Attorney, Agent, or Firm—Eric P. Schellin

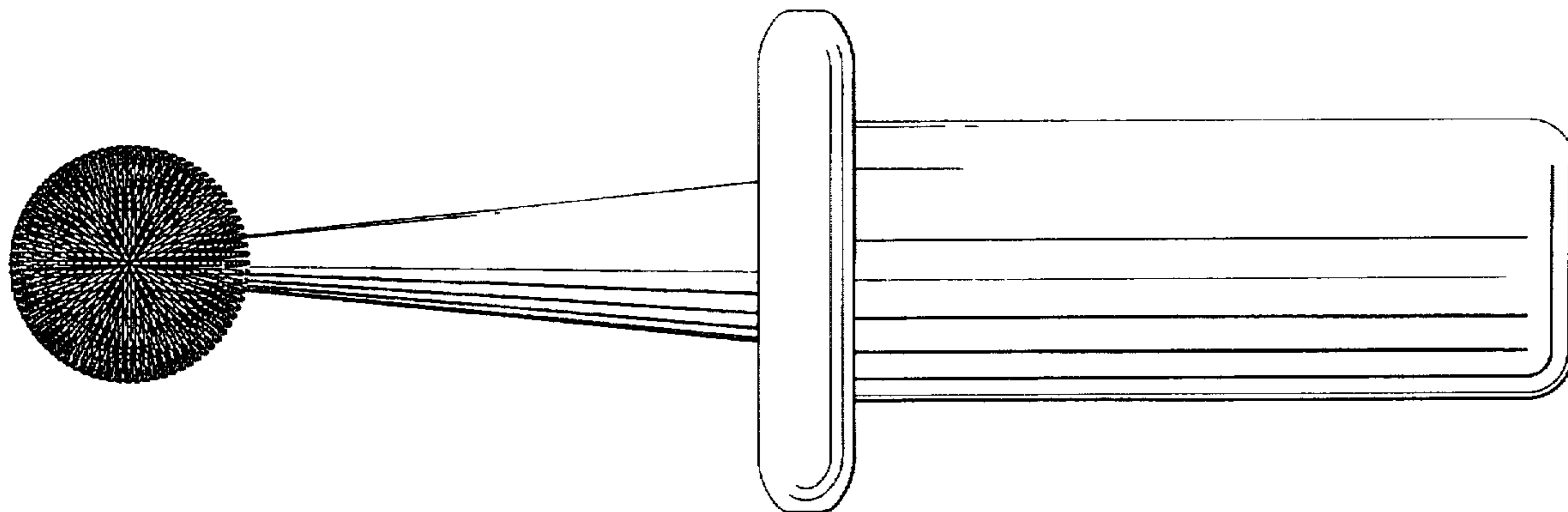
[57] **CLAIM**

The ornamental design for a droplet liquid applicator, as shown and described.

DESCRIPTION

FIG. 1 is a side view of the droplet liquid applicator, the opposite side is identical;
FIG. 2 is a front view of the droplet liquid applicator, the rear view is identical;
FIG. 3 is an end view on an enlarged scale; and
FIG. 4 is an opposite end view on an enlarged scale.

1 Claim, 3 Drawing Sheets



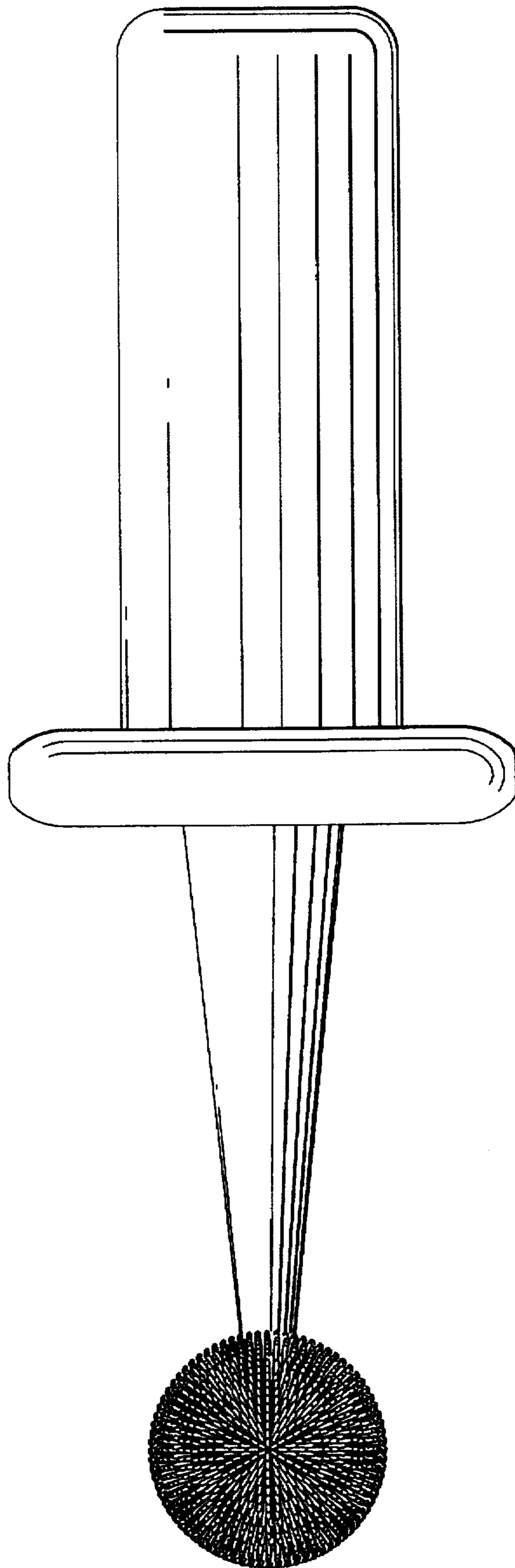


FIG. 1

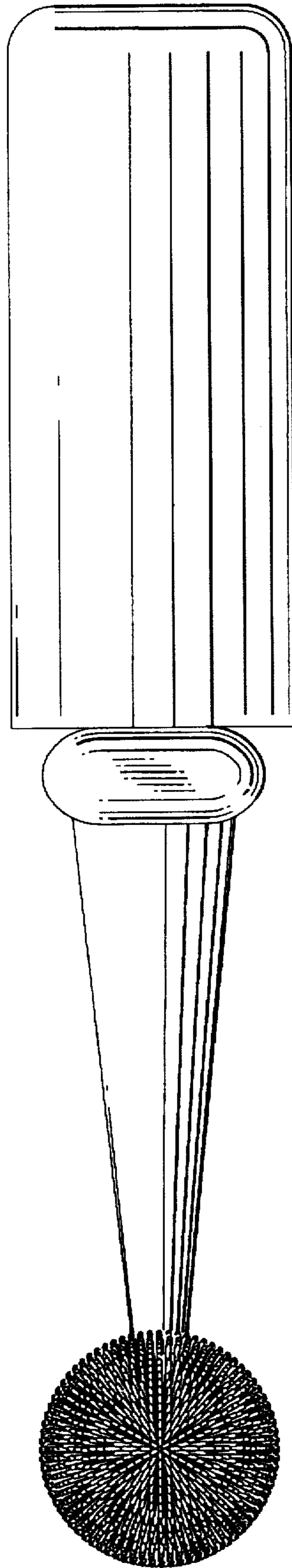


FIG. 2

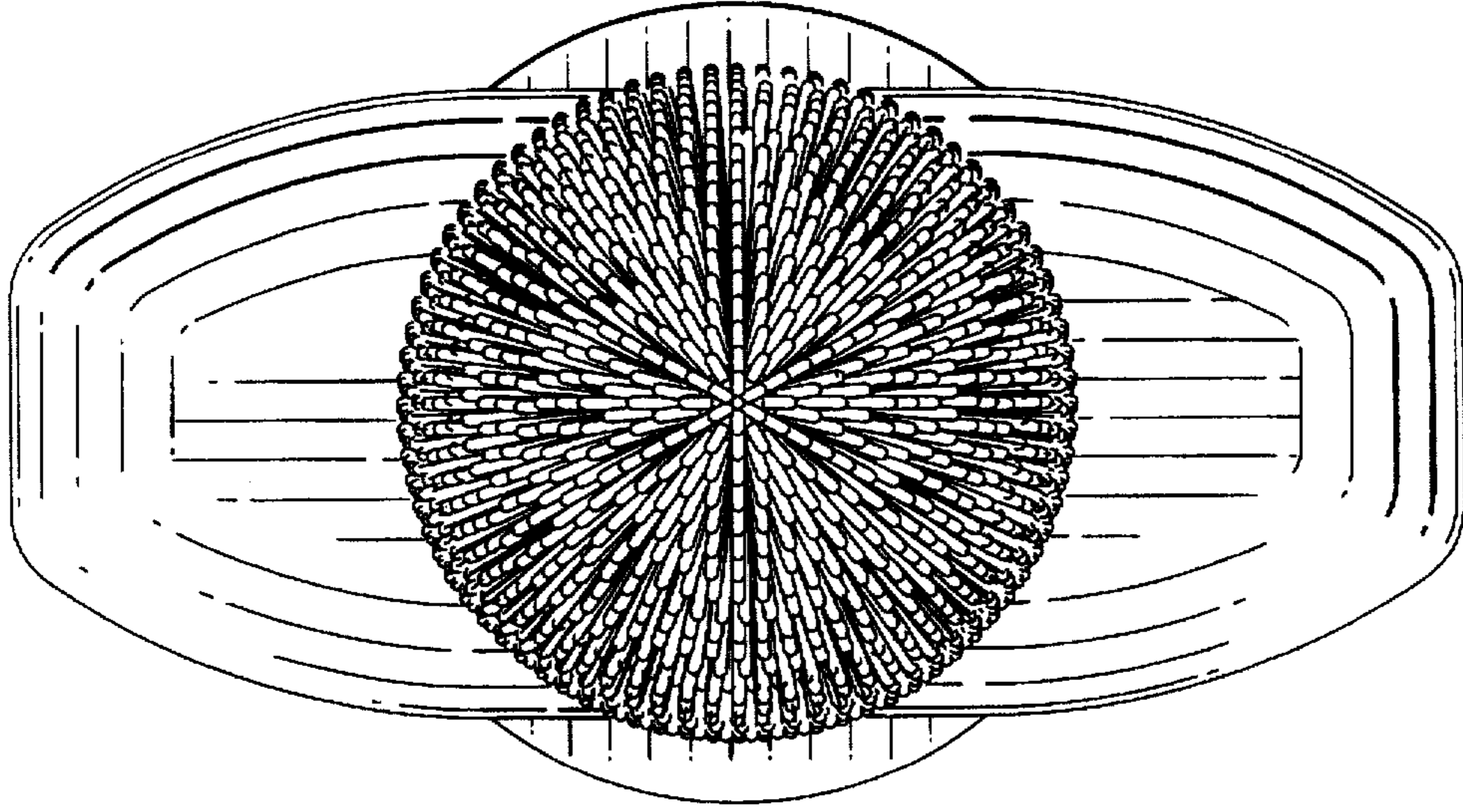


FIG. 4

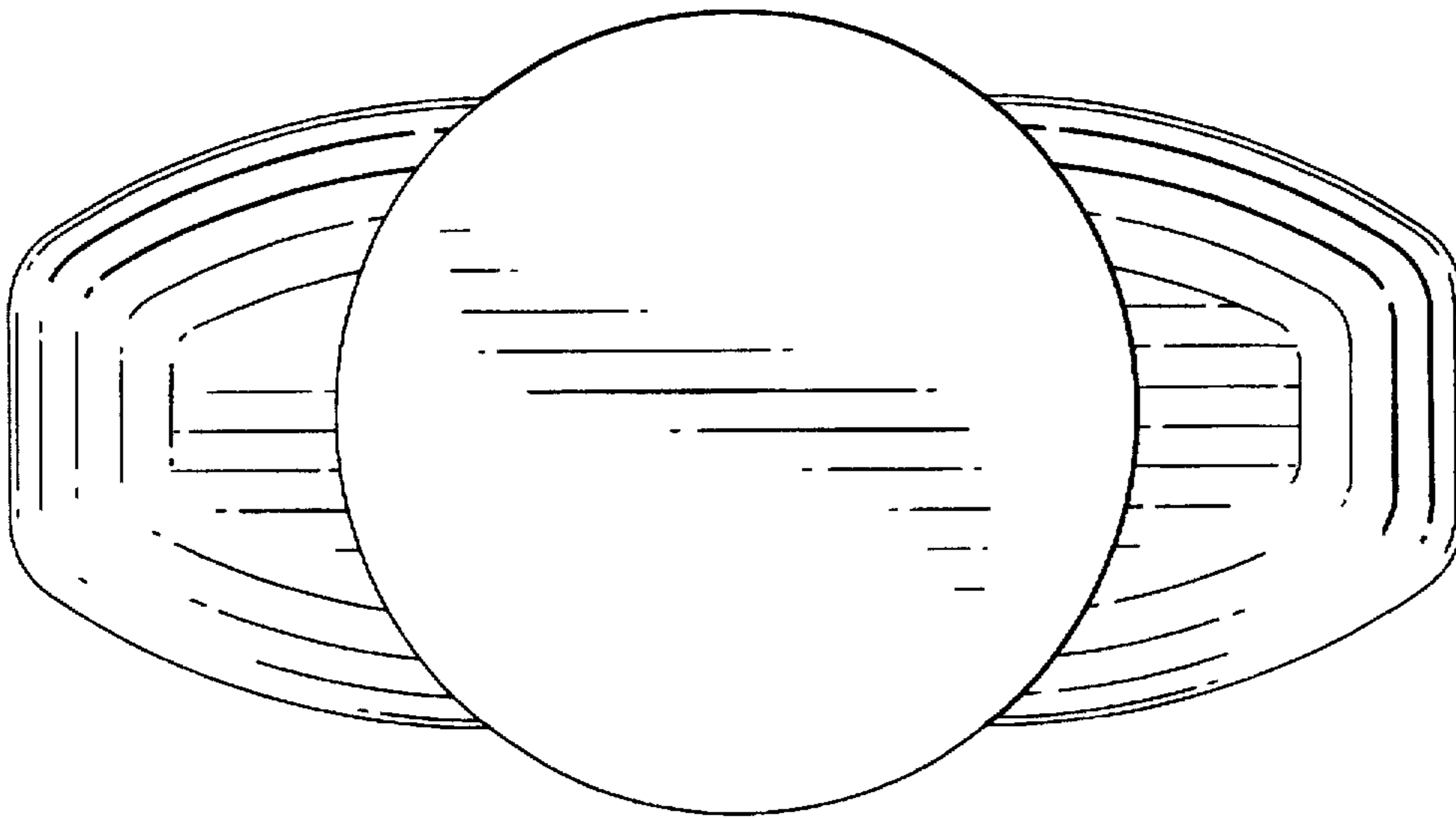


FIG. 3