



US00D385961S

United States Patent [19]

[11] Patent Number: **Des. 385,961**

Niedospial, Jr. et al.

[45] Date of Patent: *****Nov. 4, 1997**

[54] **FLEXIBLE MEDICAL FLUID CONTAINER**

[75] Inventors: **John J. Niedospial, Jr.**, Burlington, N.J.; **Imre Balogh**, Perkasié, Pa.

[73] Assignee: **Bracco Diagnostics Inc.**, Princeton, N.J.

[*] Notice: The portion of the term of this patent subsequent to Oct. 14, 2011, has been disclaimed.

[**] Term: **14 Years**

[21] Appl. No.: **57,770**

[22] Filed: **Jul. 31, 1996**

[51] LOC (6) Cl. **24-01**

[52] U.S. Cl. **D24/118**

[58] Field of Search D24/118, 129, D24/108, 109, 164, 169, 305, 306; 128/DIG. 24, 760; 604/408, 410, 283, 4, 905, 30

[56] **References Cited**

U.S. PATENT DOCUMENTS

- D. 192,987 1/1962 Waldman D83/1
- D. 200,034 1/1965 Zytko et al. D83/1
- D. 229,786 1/1974 Kinkel et al. D83/1 U
- D. 284,035 5/1986 Leeuwe et al. D24/58
- D. 298,567 11/1988 Morris D24/58
- D. 302,306 7/1989 Steer D24/51
- D. 302,307 7/1989 Steer D24/51

- D. 303,574 9/1989 Steer D24/51
- D. 303,575 9/1989 Steer D24/51
- D. 306,759 3/1990 A'Alo D24/58
- D. 323,389 1/1992 Aoki et al. D24/117
- D. 347,993 6/1994 Lane, Jr. et al. D9/305
- D. 354,129 1/1995 Salvadori D24/118
- D. 354,906 1/1995 Lane et al. D9/305
- 3,550,839 12/1970 Clayton D9/305 X
- 4,132,594 1/1979 Bank et al. 604/408 X
- 4,282,863 8/1981 Beigler et al. 604/410 X
- 5,423,763 6/1995 Hill et al. 604/283 X

FOREIGN PATENT DOCUMENTS

- 9116861 11/1991 WIPO 604/408

Primary Examiner—Louis S. Zarfás
Assistant Examiner—Frank Martínez
Attorney, Agent, or Firm—Imre Balogh

[57] **CLAIM**

The ornamental design for the flexible medical fluid container, as shown and described.

DESCRIPTION

FIG. 1 is a front elevational view of a flexible medical fluid container showing my new design;
FIG. 2 is a left side elevational view thereof;
FIG. 3 is a right side elevational view thereof;
FIG. 4 is a rear elevational view thereof;
FIG. 5 is a top plan view thereof; and,
FIG. 6 is a bottom plan view thereof.

1 Claim, 2 Drawing Sheets

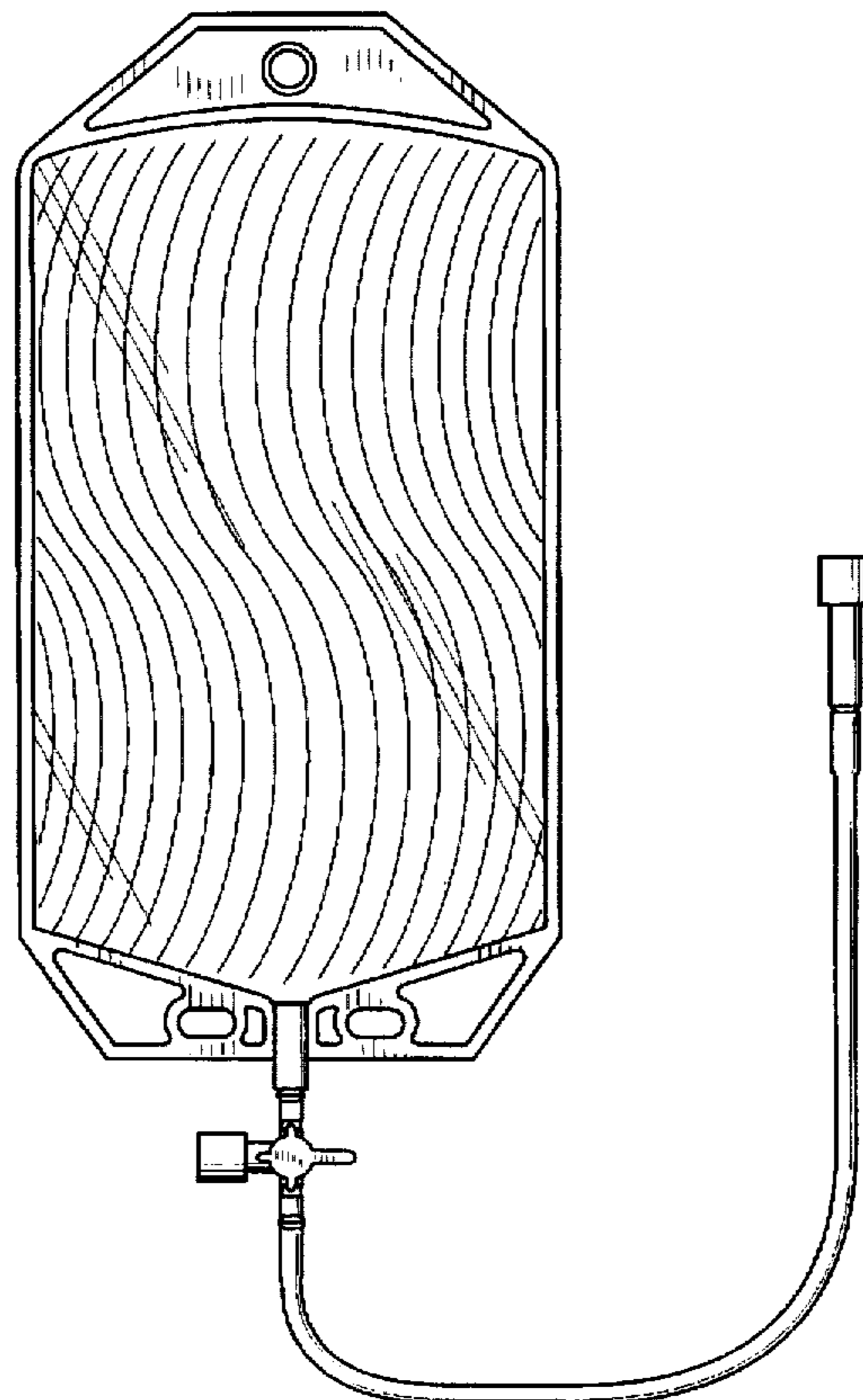


FIG. 3

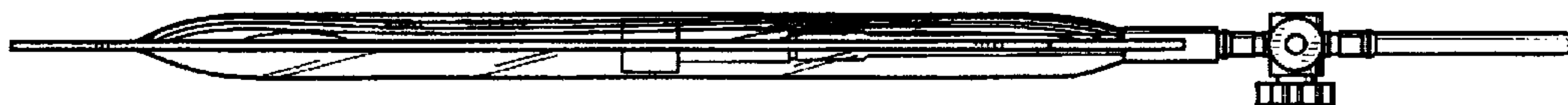


FIG. 2



FIG. 1

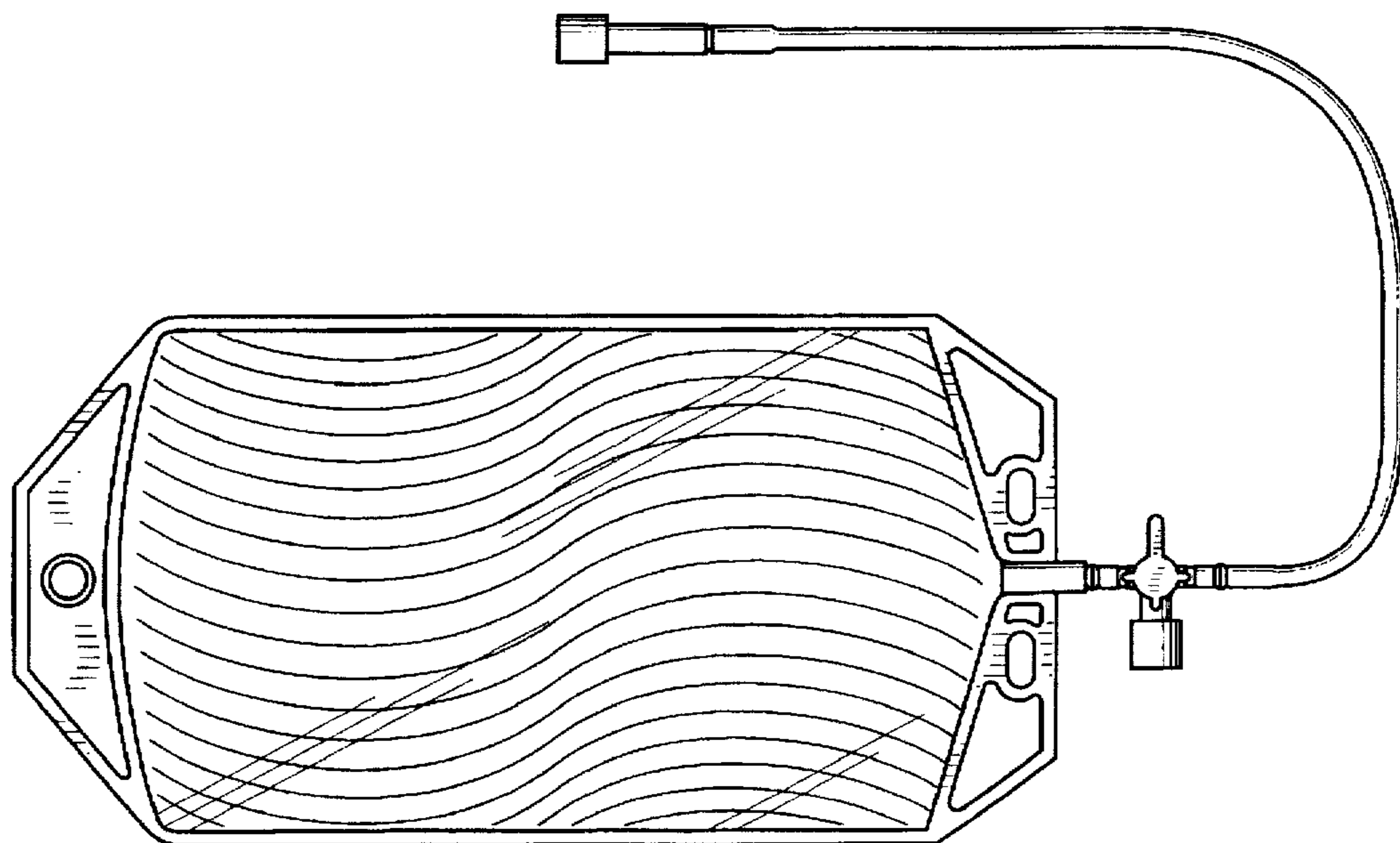


FIG. 5



FIG. 4

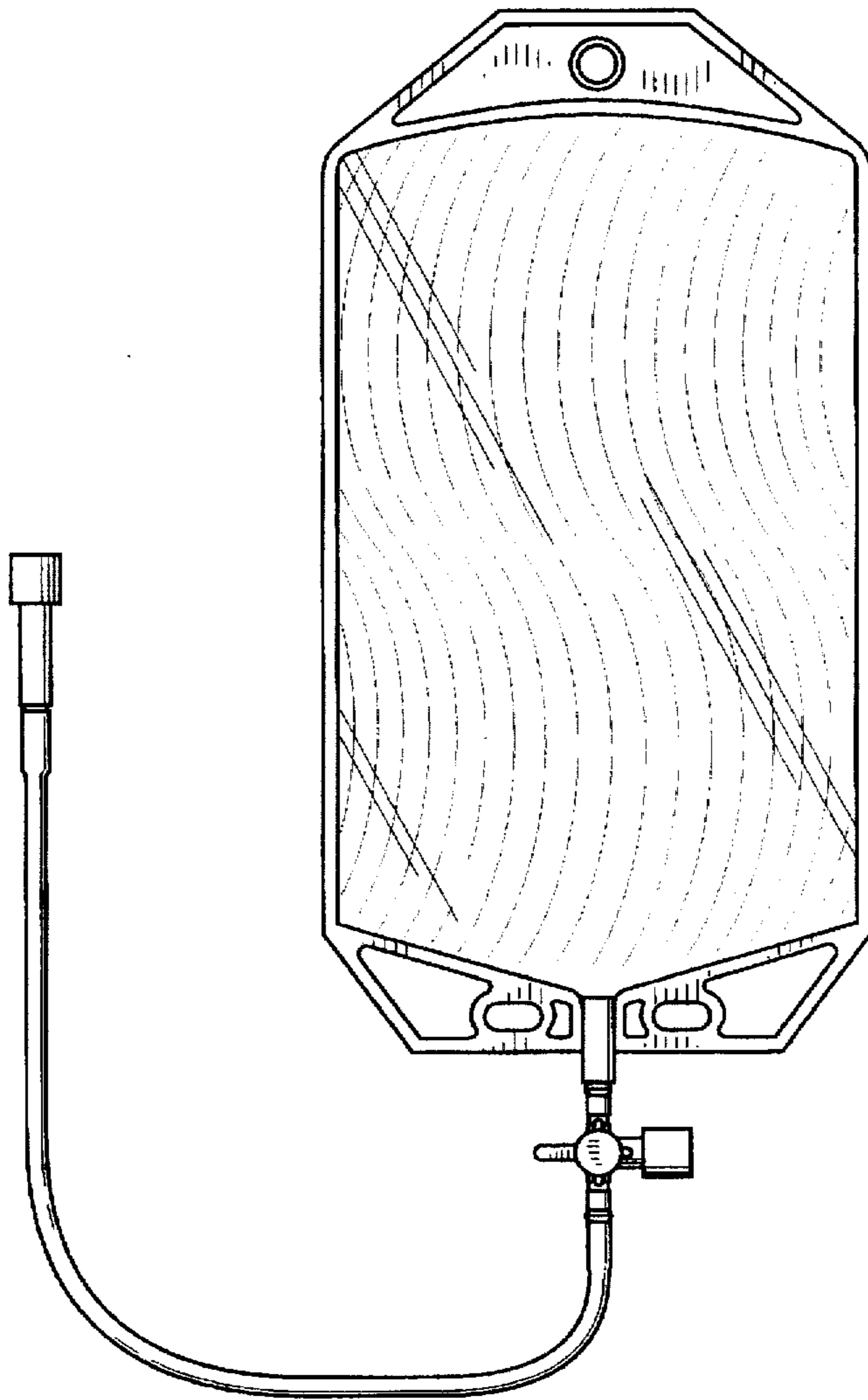


FIG. 6

