



US00D385957S

United States Patent [19]

Laguera Garza

[11] Patent Number: **Des. 385,957**

[45] Date of Patent: ****Nov. 4, 1997**

[54] **LAVATORY**

[75] Inventor: **Marcelo Garza Laguera Garza,**
Irapuato, Mexico

[73] Assignee: **Procesadora de Ceramica de Mexico,**
S.A. DE. C.V., Mexico

[**] Term: **14 Years**

[21] Appl. No.: **58,464**

[22] Filed: **Aug. 15, 1996**

[30] **Foreign Application Priority Data**

Feb. 23, 1996 [MX] Mexico 96169

[51] LOC (6) CL **23-02**

[52] U.S. Cl. **D23/284**

[58] Field of Search D23/295, 299;
4/328, 329, 353, 421, 424, 349, 430

[56] **References Cited**

U.S. PATENT DOCUMENTS

D. 292,609 11/1987 Kolada D23/283.1

D. 328,338 7/1992 Ragovot D23/284
D. 340,511 10/1993 Konler, Jr. et al. D23/293.1
D. 347,273 5/1994 Wei D23/293.1
D. 351,460 10/1994 Konler, Jr. et al. D23/284

Primary Examiner—Stella Reid
Assistant Examiner—E. Watterson
Attorney, Agent, or Firm—Pravel, Hewitt, Kimball &
Krieger

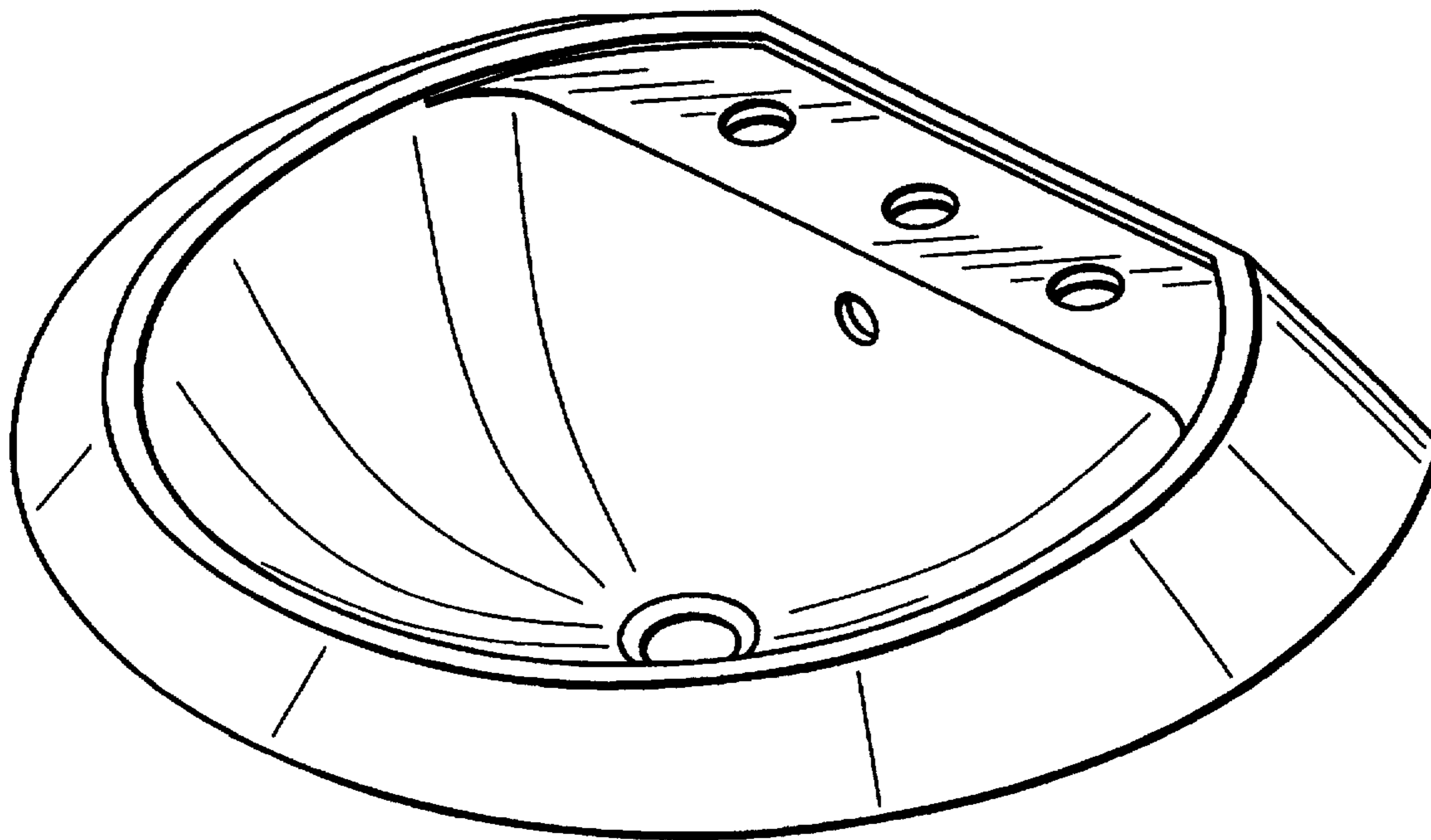
[57] **CLAIM**

The ornamental design for a lavatory, as shown.

DESCRIPTION

FIG. 1 is a isometric view of a lavatory, showing my new design;
FIG. 2 is a top plan view of a lavatory of FIG. 1;
FIG. 3 is a front elevation view of a lavatory of FIG. 1;
FIG. 4 is a left side elevation view of a lavatory of FIG. 1;
FIG. 5 is a right side elevation view of a lavatory of FIG. 1;
FIG. 6 is a bottom view of a lavatory of FIG. 1; and,
FIG. 7 is a rear elevation view of a lavatory of FIG. 1.

1 Claim, 2 Drawing Sheets



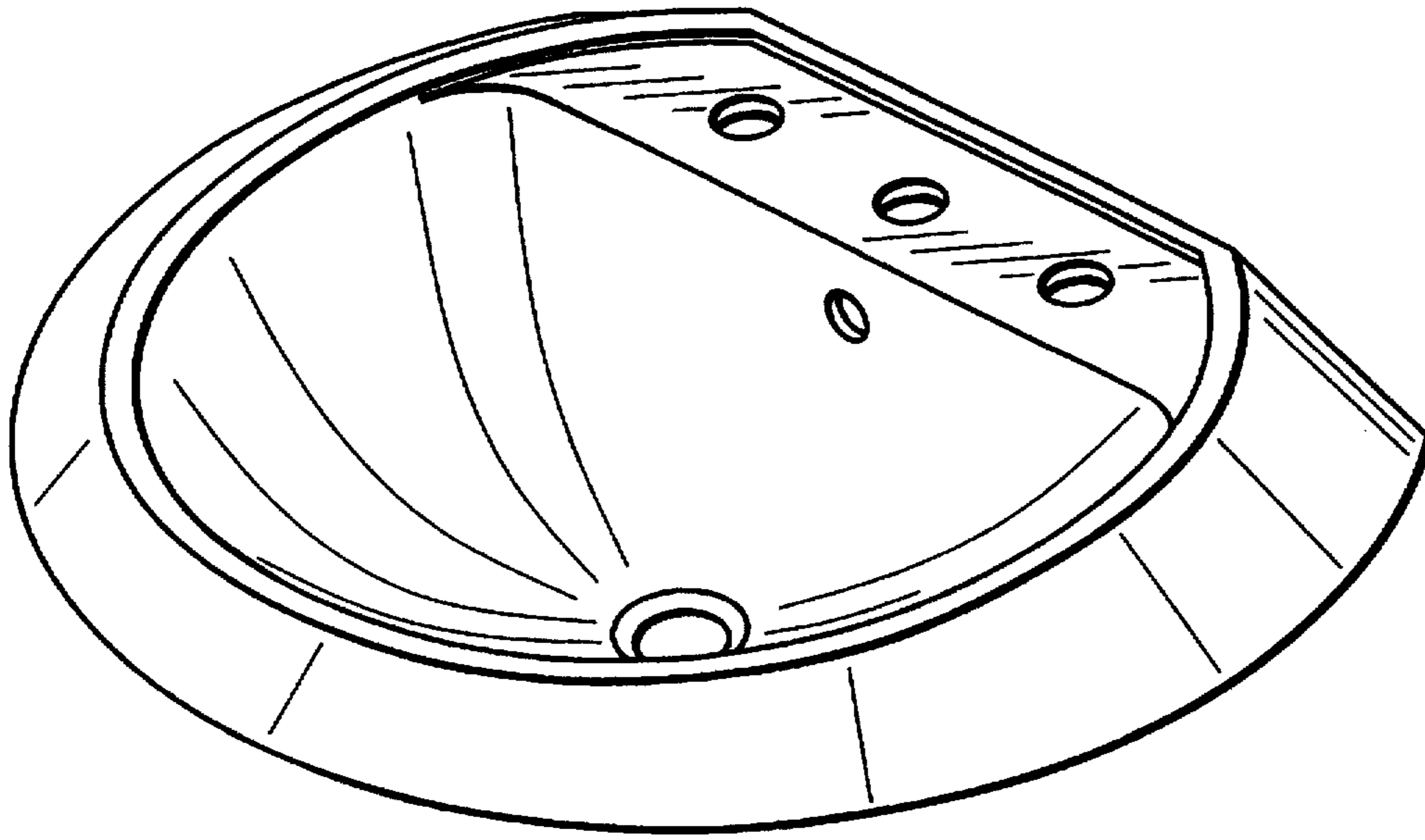


FIG. 1

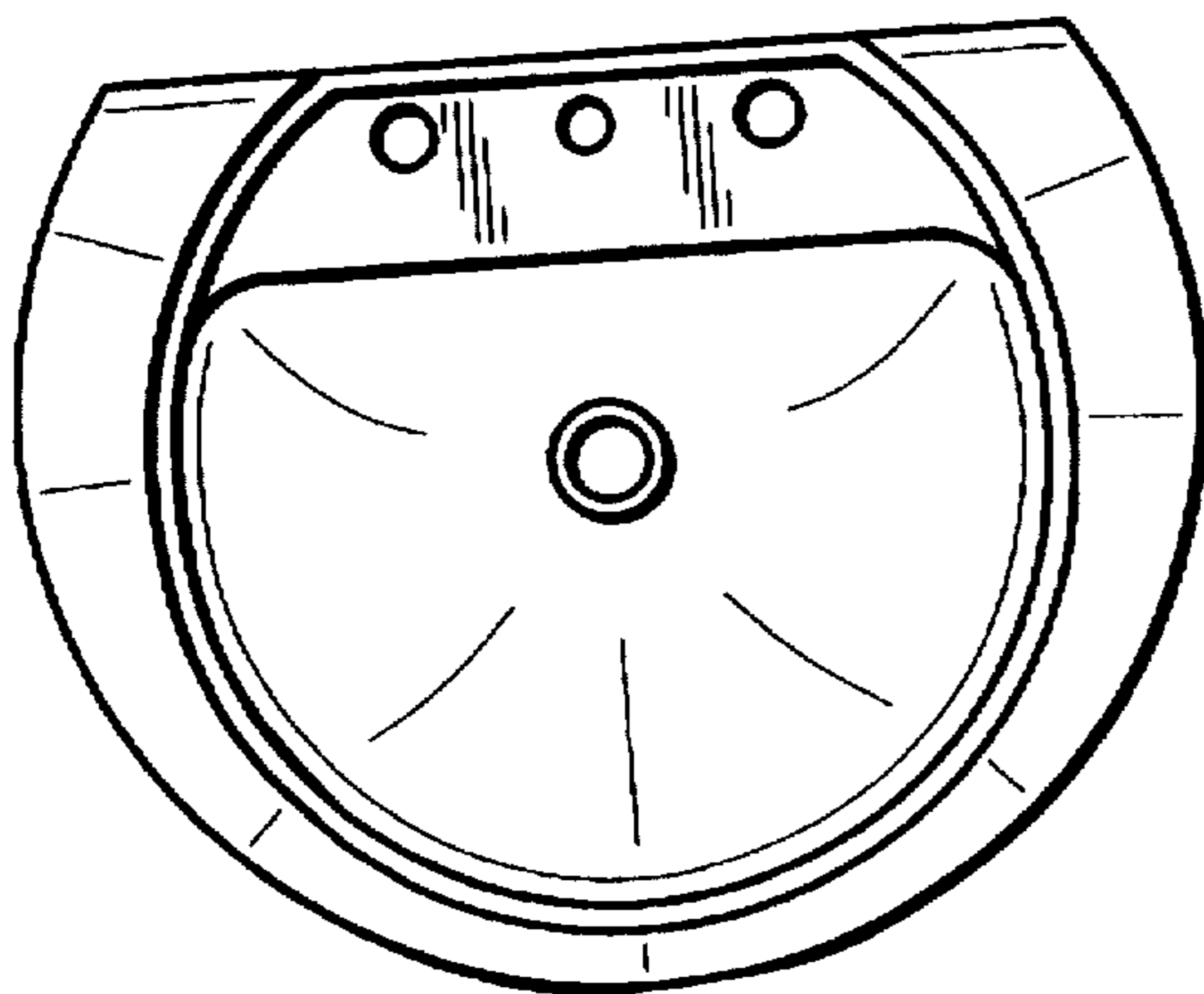


FIG. 2

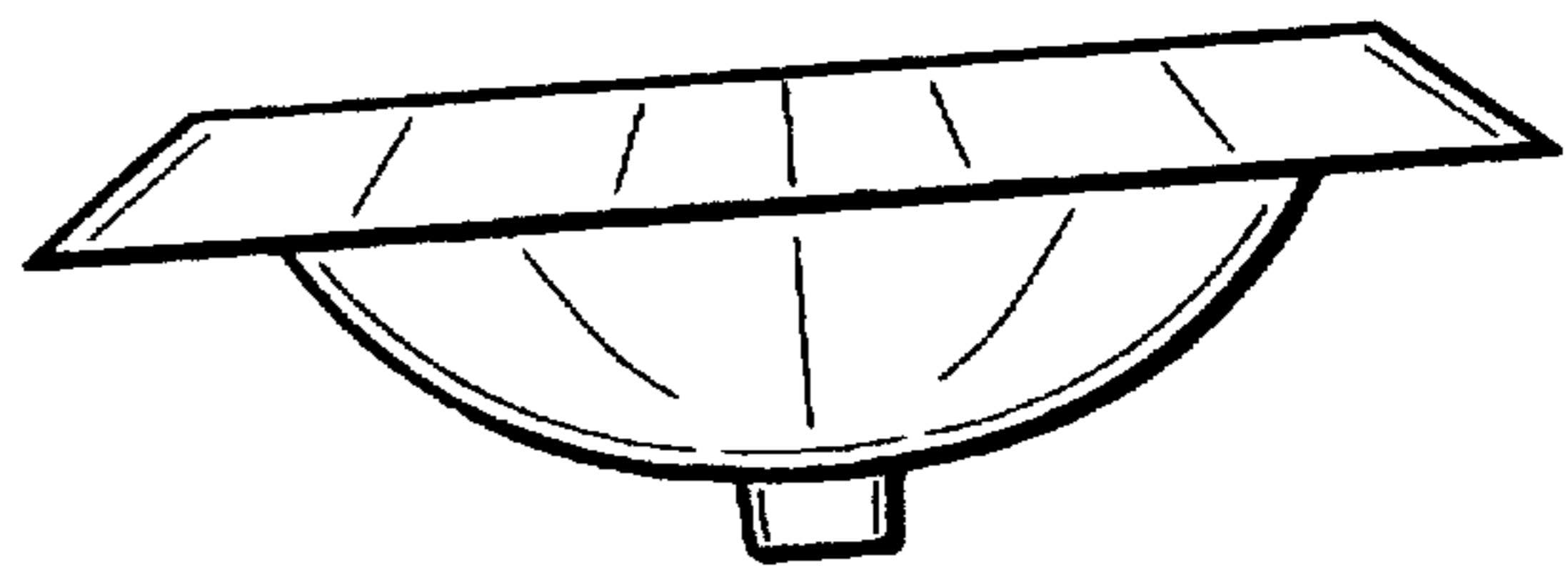


FIG. 3

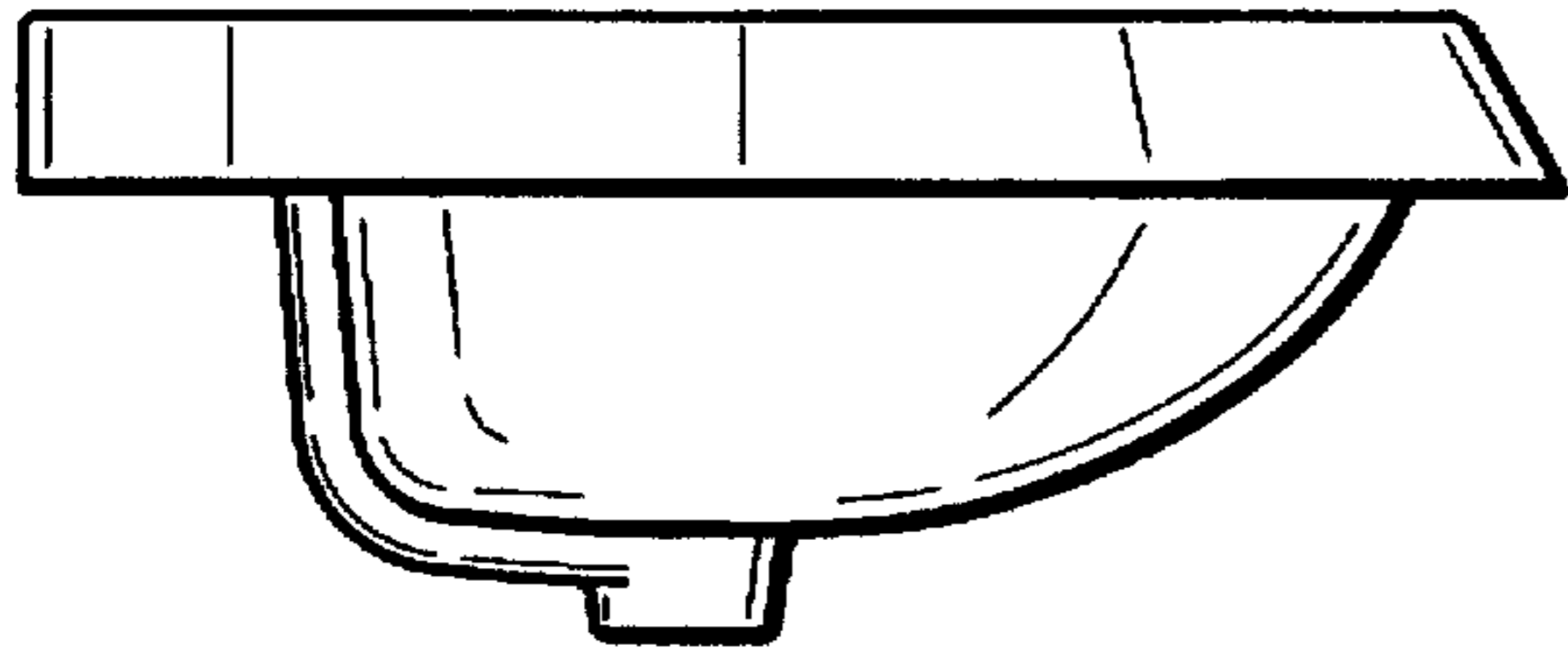


FIG. 4

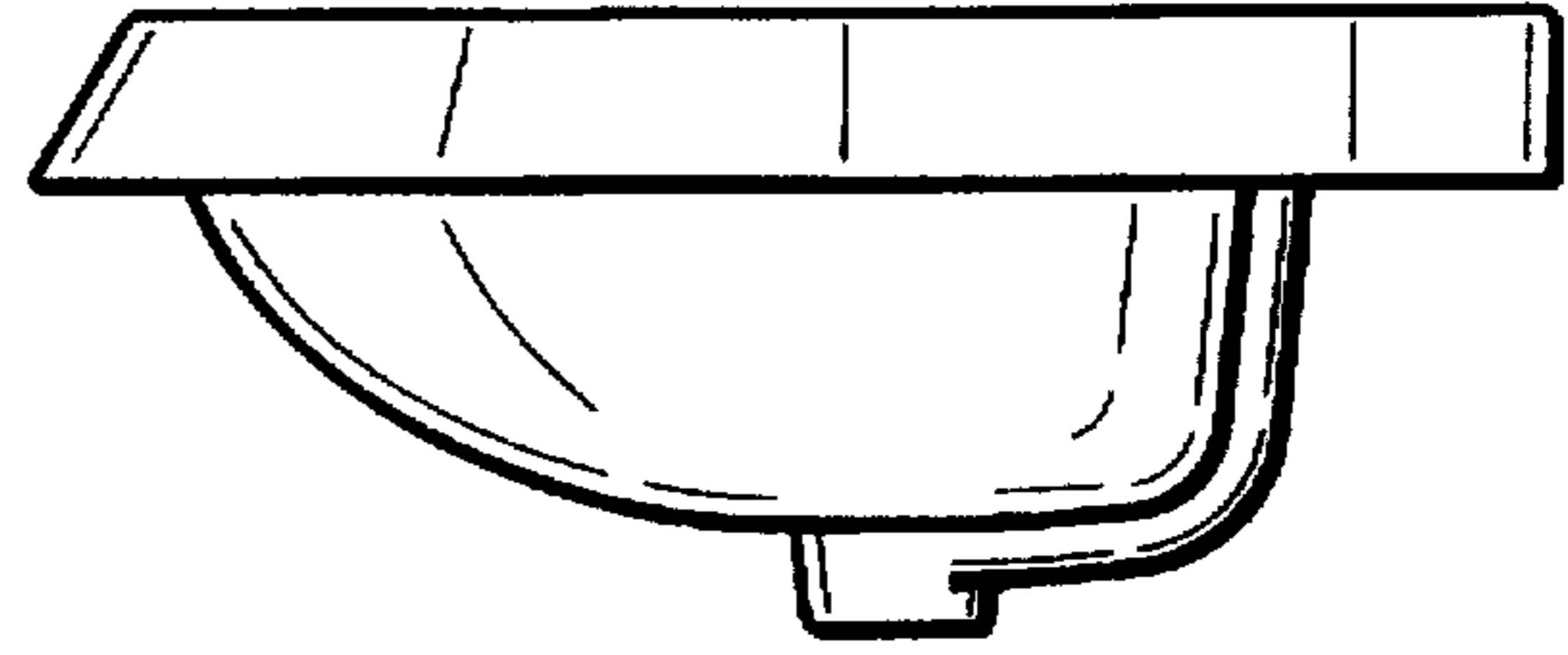


FIG. 5

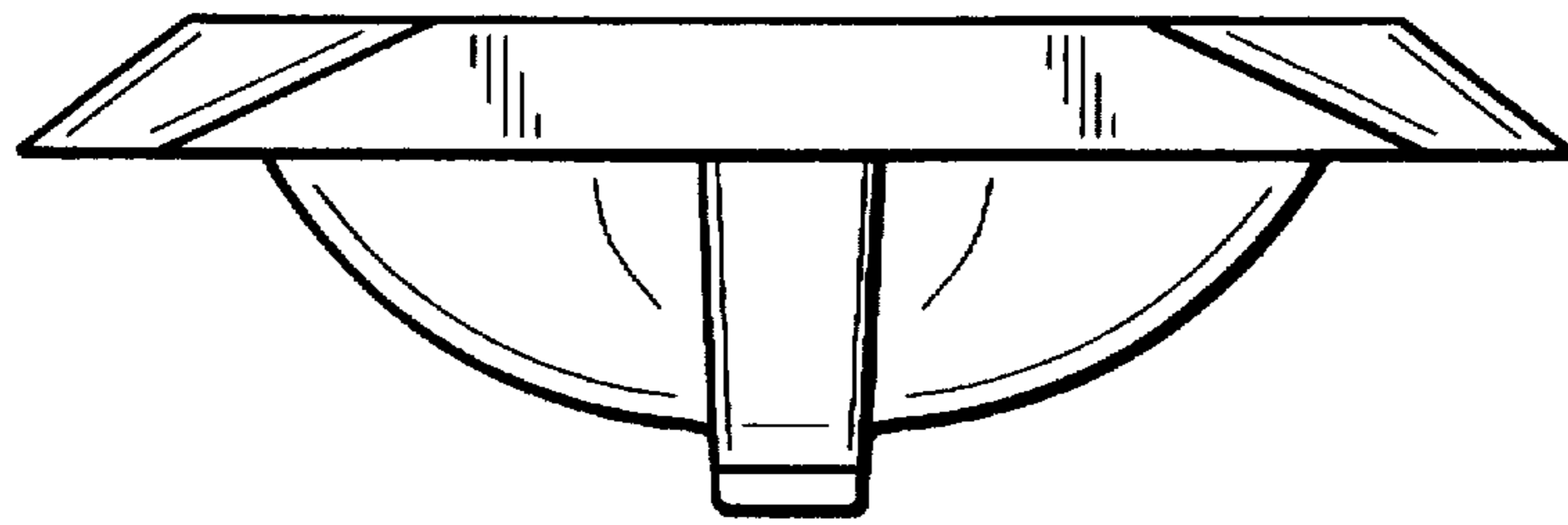


FIG. 6

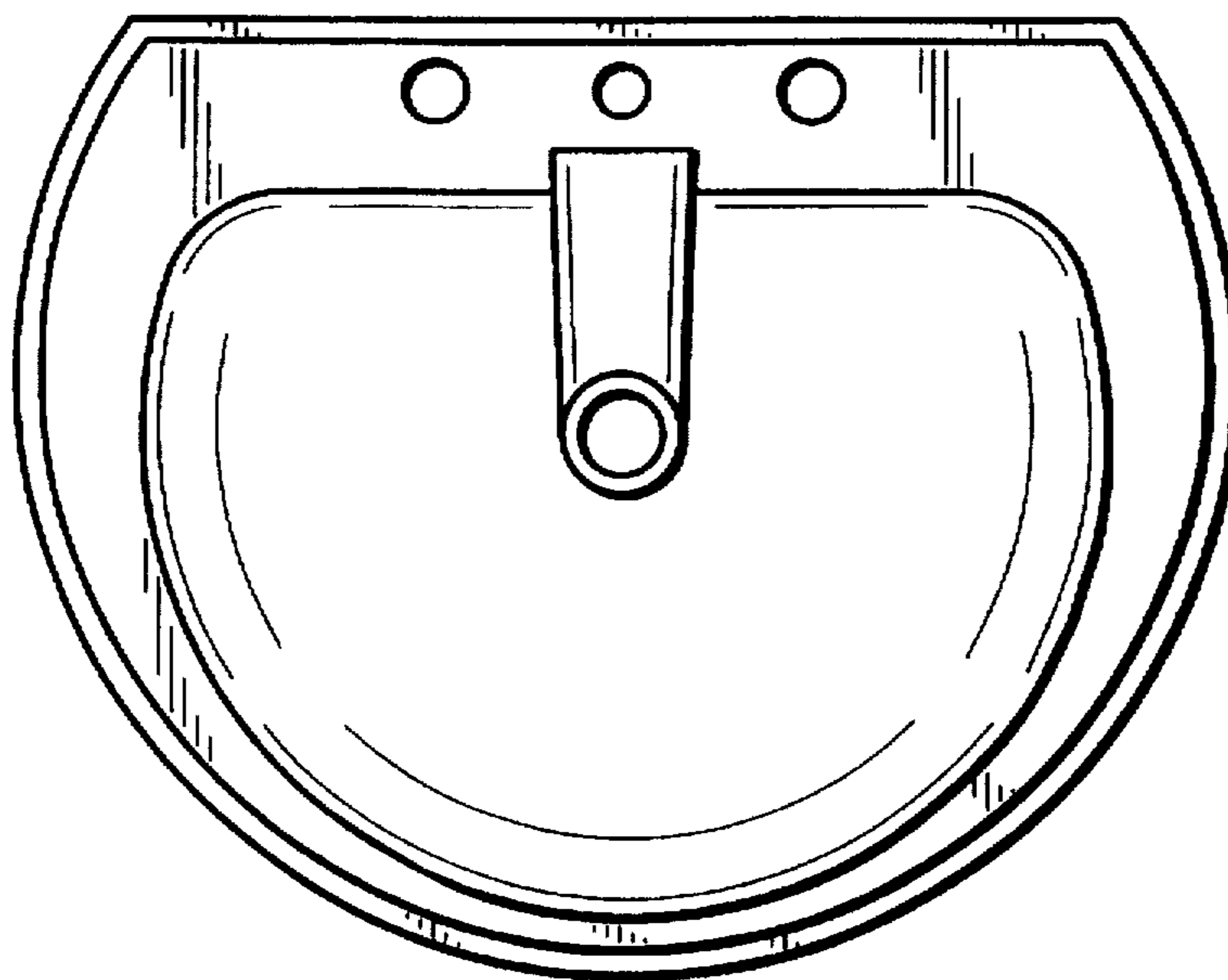


FIG. 7

UNITED STATES PATENT AND TRADEMARK OFFICE
CERTIFICATE OF CORRECTION

PATENT NO. : DES. 385,957
DATED : NOVEMBER 4, 1997
INVENTOR(S) : MARCELO GARZA LAGUERA GARZA

It is certified that error appears in the above-identified patent and that said Letters Patent is hereby corrected as shown below:

PLEASE CORRECT THE INVENTOR'S NAME TO READ AS FOLLOWS:

--MARCELO GARZA LAGUERA GARZA--

Signed and Sealed this
Tenth Day of February, 1998

Attest:



BRUCE LEHMAN

Attesting Officer

Commissioner of Patents and Trademarks