

US00D385956S

United States Patent [19]

[11] Patent Number: **Des. 385,956**

Doughty et al.

[45] Date of Patent: ****Nov. 4, 1997**

[54] **SLEEVE WITH FLANGE**

[75] Inventors: **Frederic C. Doughty**, S. Pasadena;
Darren M. Mark, Castaic, both of
Calif.

[73] Assignee: **Emhart Inc.**, Newark, Del.

[**] Term: **14 Years**

[21] Appl. No.: **33,989**

[22] Filed: **Jan. 25, 1995**

[51] LOC (6) Cl. **23-01**

[52] U.S. Cl. **D23/259**

[58] Field of Search **D23/233-269;**
D8/352, 353, 397, 398, 300, 307, 308;
4/675-678; 16/110 R, 114 R

[56] **References Cited**

U.S. PATENT DOCUMENTS

- D. 164,606 9/1951 Schlage .
- D. 201,096 5/1965 Russell .
- D. 201,097 5/1965 Russell .
- D. 263,990 4/1982 Fleischman et al. D8/307
- D. 264,388 5/1982 Dryden D23/235
- D. 265,117 6/1982 Fleischman et al. D8/307
- D. 288,525 3/1987 Angle .
- D. 290,388 6/1987 Yost D23/254
- D. 305,863 2/1990 Gresens et al. D8/352

- D. 310,324 9/1990 Bernacchi et al. D8/352
- D. 325,958 5/1992 Stairs, Jr. et al. D23/250
- D. 326,504 5/1992 Robbins D23/255
- 572,911 12/1896 Schmidt .
- 626,447 6/1899 Strater .
- 922,471 5/1909 Glauber .
- 999,332 8/1911 Mueller .
- 1,126,362 1/1915 Bissell .
- 1,163,457 12/1915 Regar .
- 1,214,220 12/1917 Regar .

Primary Examiner—Louis S. Zarfes
Assistant Examiner—Eric Watterson
Attorney, Agent, or Firm—J. Bruce Hoofnagle

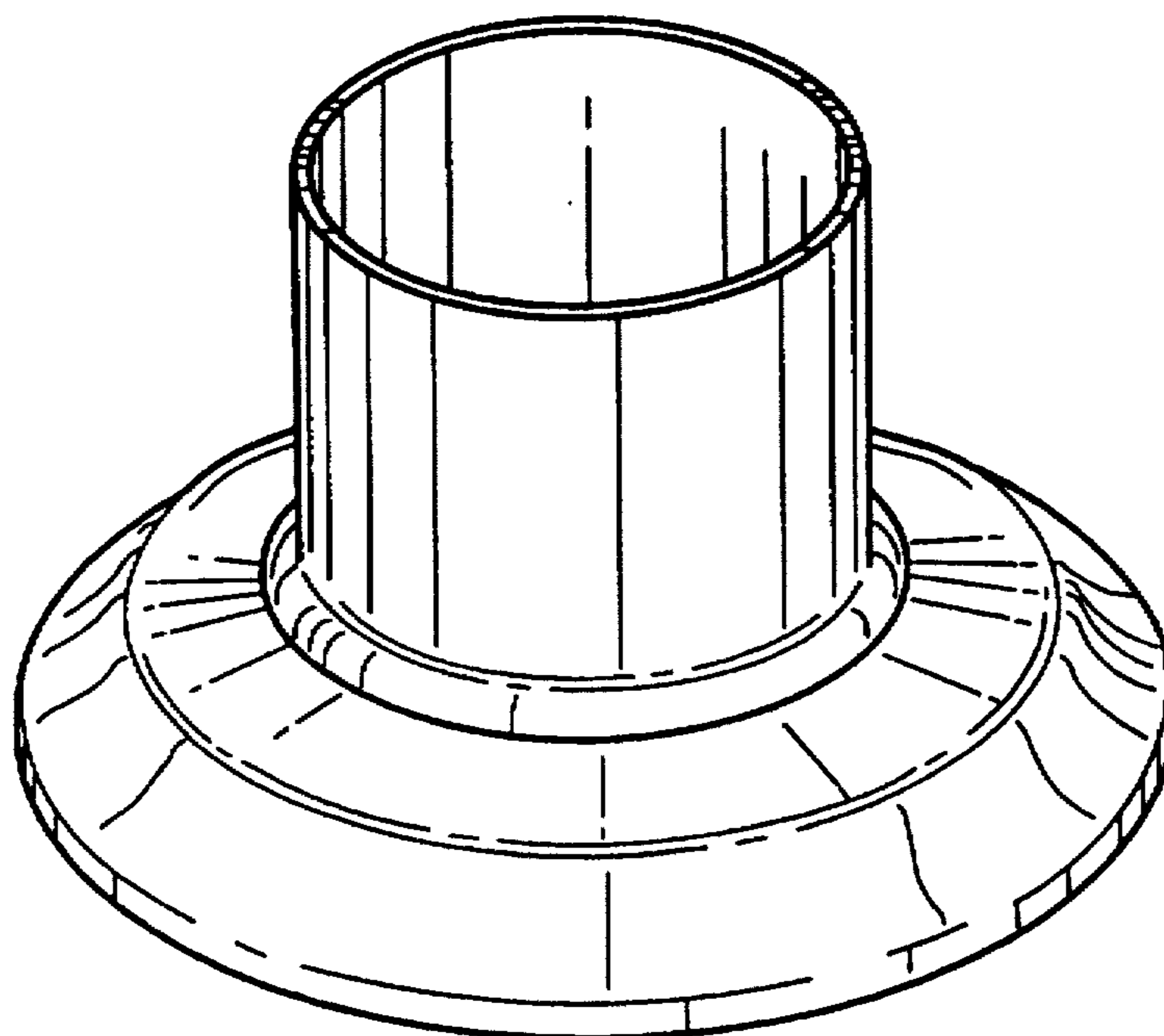
[57] CLAIM

The ornamental design for sleeve with flange, as shown and described.

DESCRIPTION

FIG. 1 is a front view of our new design of a sleeve with flange; a rear view, a right side view and a left side view being the same as the front view;
FIG. 2 is a top view of our new design of the sleeve with flange;
FIG. 3 is a bottom view of our new design of the sleeve with flange; and,
FIG. 4 is a perspective view of our new design of the sleeve with flange.

1 Claim, 2 Drawing Sheets



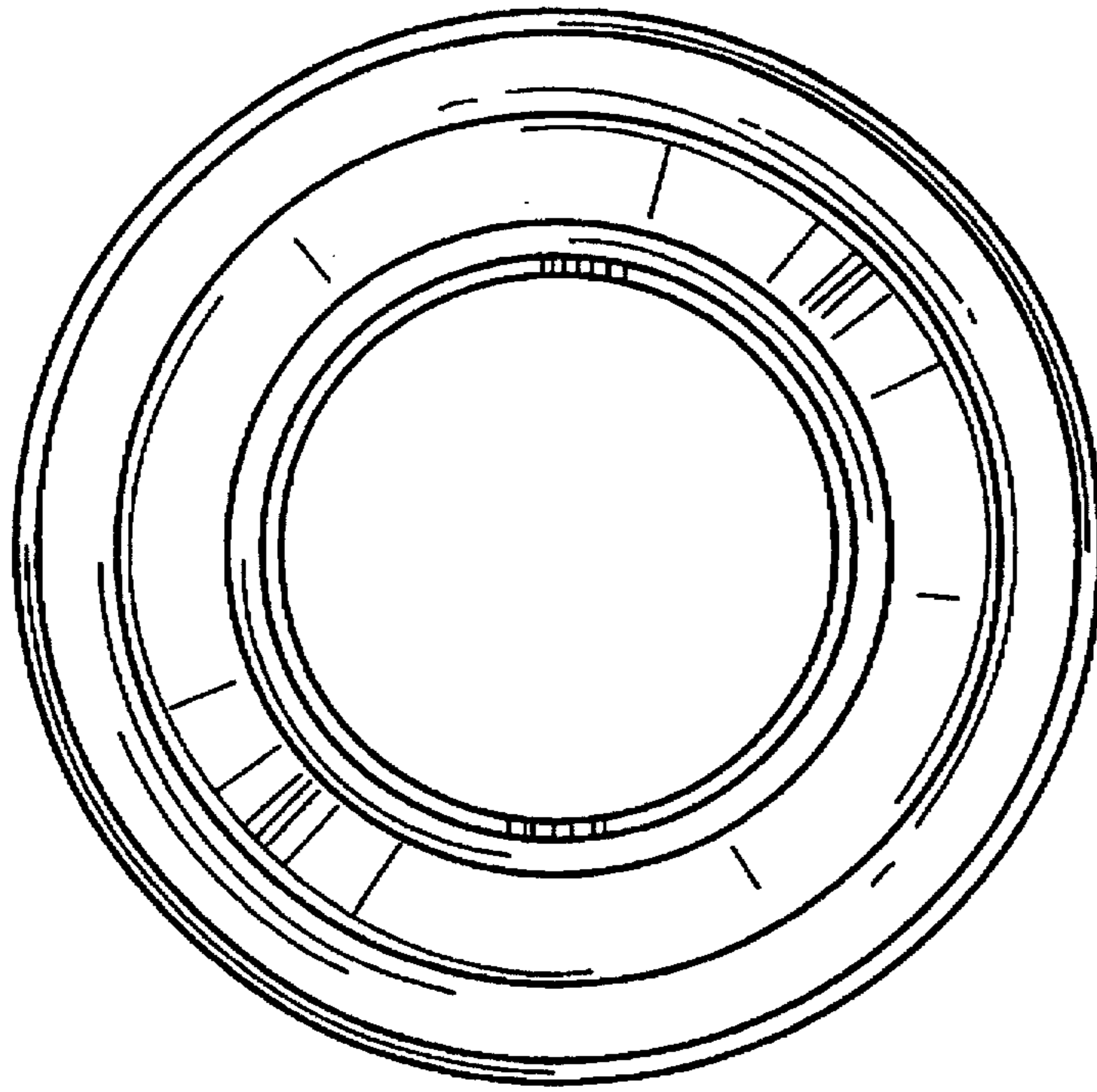


Fig. 2

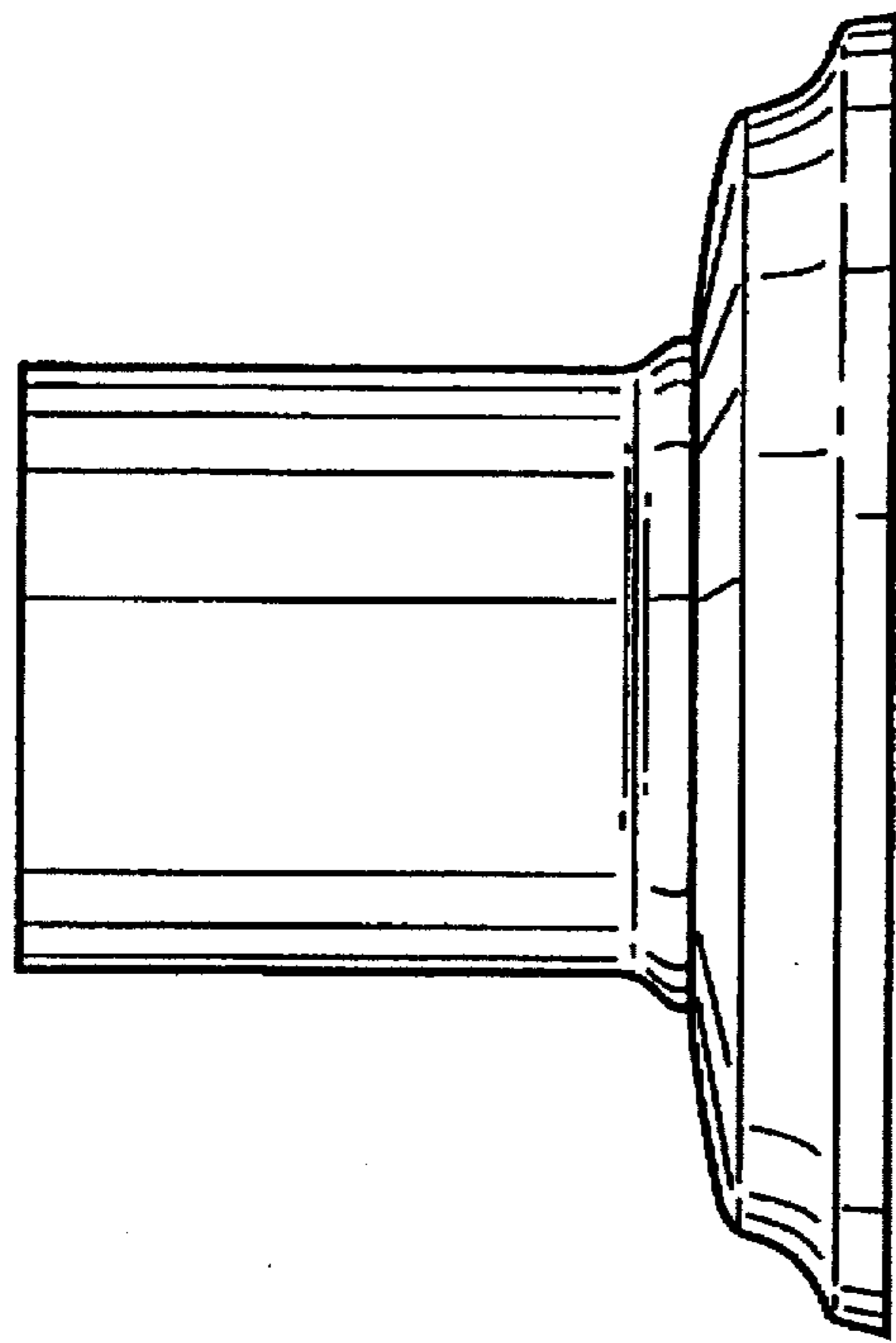


Fig. 1

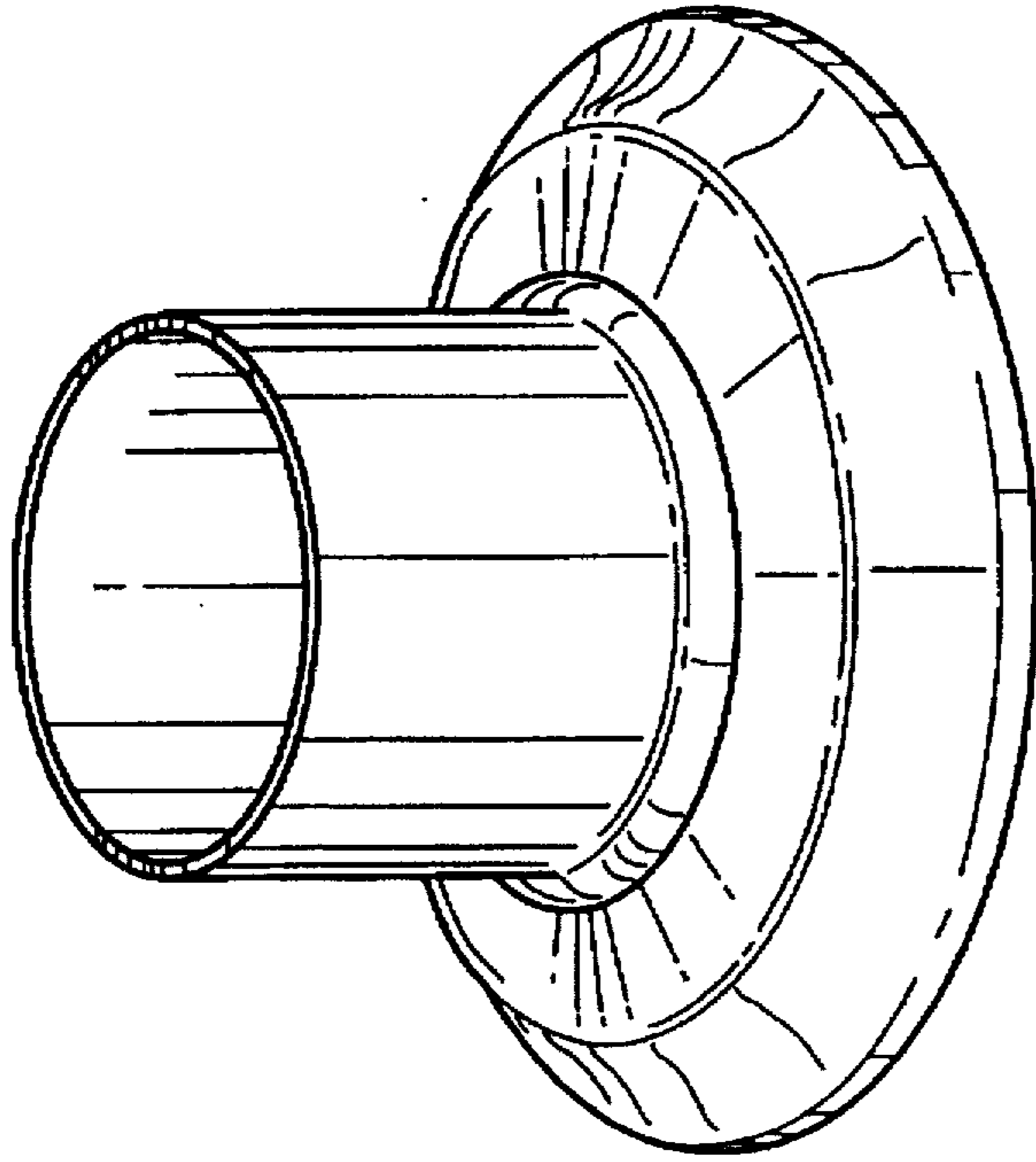


Fig. 4

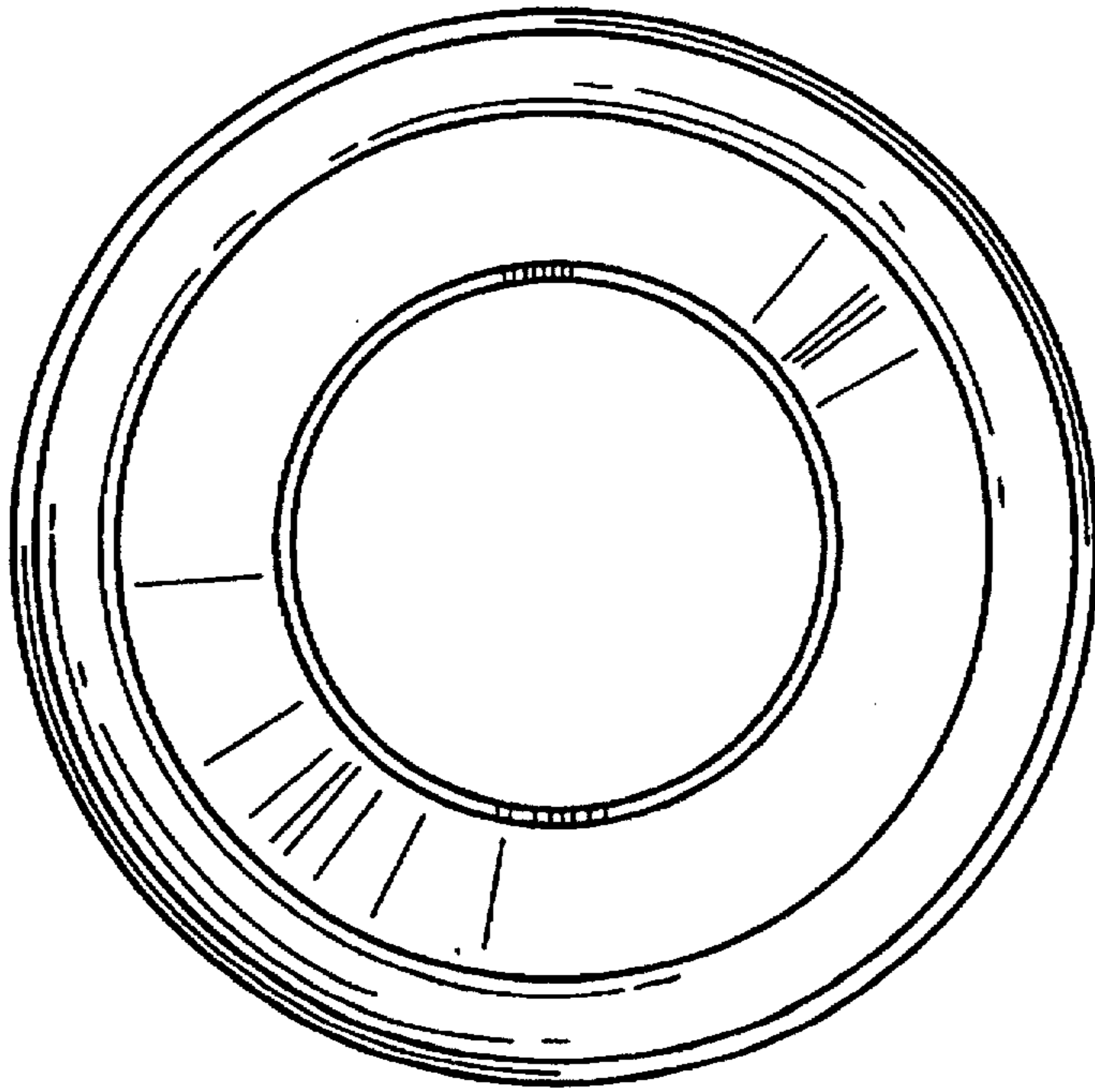


Fig. 3