

US00D385954S

**United States Patent** [19]  
**Hundley et al.**

[11] **Patent Number:** **Des. 385,954**  
[45] **Date of Patent:** **\*\*Nov. 4, 1997**

[54] **HANDLE FOR A PLUMBING FITTING**

[75] **Inventors:** **Jill E. Hundley; Mary J. Reid;**  
**Thomas A. Bonnell**, all of Sheboygan,  
Wis.

[73] **Assignee:** **Kohler Co.**, Kohler, Wis.

[\*\*] **Term:** **14 Years**

[21] **Appl. No.:** **49,418**

[22] **Filed:** **Jan. 24, 1996**

[51] **LOC (6) Cl.** ..... **23-01**

[52] **U.S. Cl.** ..... **D23/252**

[58] **Field of Search** ..... **D23/241-243,**  
**D23/250-257; D8/300, 303, 306, 307, 308,**  
**338; 16/117, 118, 119, 121, 126**

[56] **References Cited**

**U.S. PATENT DOCUMENTS**

D. 271,561	11/1983	Valli	.....	D8/308
D. 300,719	4/1989	Rhoades et al.	.....	D8/308
D. 345,901	4/1994	Roitaser et al.	.....	D8/308
D. 348,509	7/1994	Bollenbacher	.....	D6/550
D. 349,328	8/1994	Bollenbacher	.....	D23/252
D. 355,578	2/1995	Mark et al.	.....	D8/308

**OTHER PUBLICATIONS**

Undated Harden catalog ad, p. 25, showing a "56 Series" faucet handle escutcheon, admitted prior art.  
Undated Dorn Bracht catalog ad showing an "Obina" faucet handle, admitted prior art.  
Undated Dorn Bracht catalog ad showing "Obina" faucet handles, admitted prior art.  
1989 WICO catalog ad showing a "Retro" faucet handle escutcheon.

*Primary Examiner*—Stella Reid  
*Assistant Examiner*—Eric Watterson  
*Attorney, Agent, or Firm*—Quarles & Brady

[57] **CLAIM**

The ornamental design for a handle for a plumbing fitting, as shown and described.

**DESCRIPTION**

FIG. 1 is a top, right, front perspective view of a handle for a plumbing fitting embodying our new design;  
FIG. 2 is a front elevational view thereof, the rear elevational view being a mirror image of the front side shown;  
FIG. 3 is a left side elevational view thereof;  
FIG. 4 is a right side elevational view thereof;  
FIG. 5 is a top plan view thereof;  
FIG. 6 is a front elevational view of a second embodiment which is essentially identical to the first embodiment but for the inversion of the handle;  
FIG. 7 is a top, right, front perspective view of a third embodiment;  
FIG. 8 is a front elevational view thereof, the rear elevational view being the mirror image of the front side shown;  
FIG. 9 is a left side elevational view thereof;  
FIG. 10 is a right side elevational view thereof;  
FIG. 11 is a top plan view thereof;  
FIG. 12 is a front elevational view of a fourth embodiment which is essentially identical to the third embodiment but for the inversion of the handle;  
FIG. 13 is a top, front perspective view of a fifth embodiment which is essentially identical to the third embodiment but for the decorations on the handle sides, the design being a mirror image front to back; and,  
FIG. 14 is a top, front perspective view of a sixth embodiment which is essentially identical to the fifth embodiment but for the handle inversion.

**1 Claim, 4 Drawing Sheets**

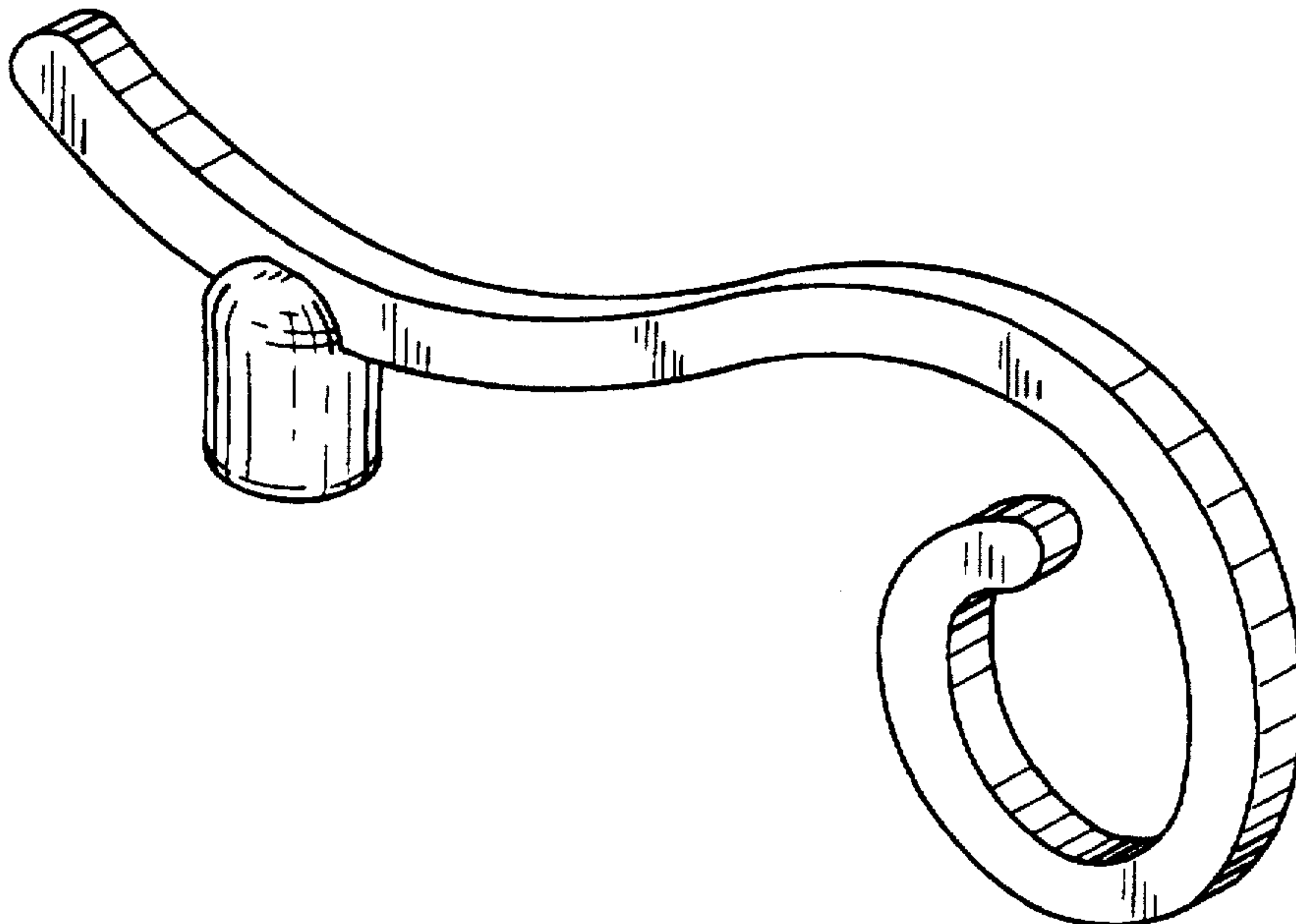


FIG. 1

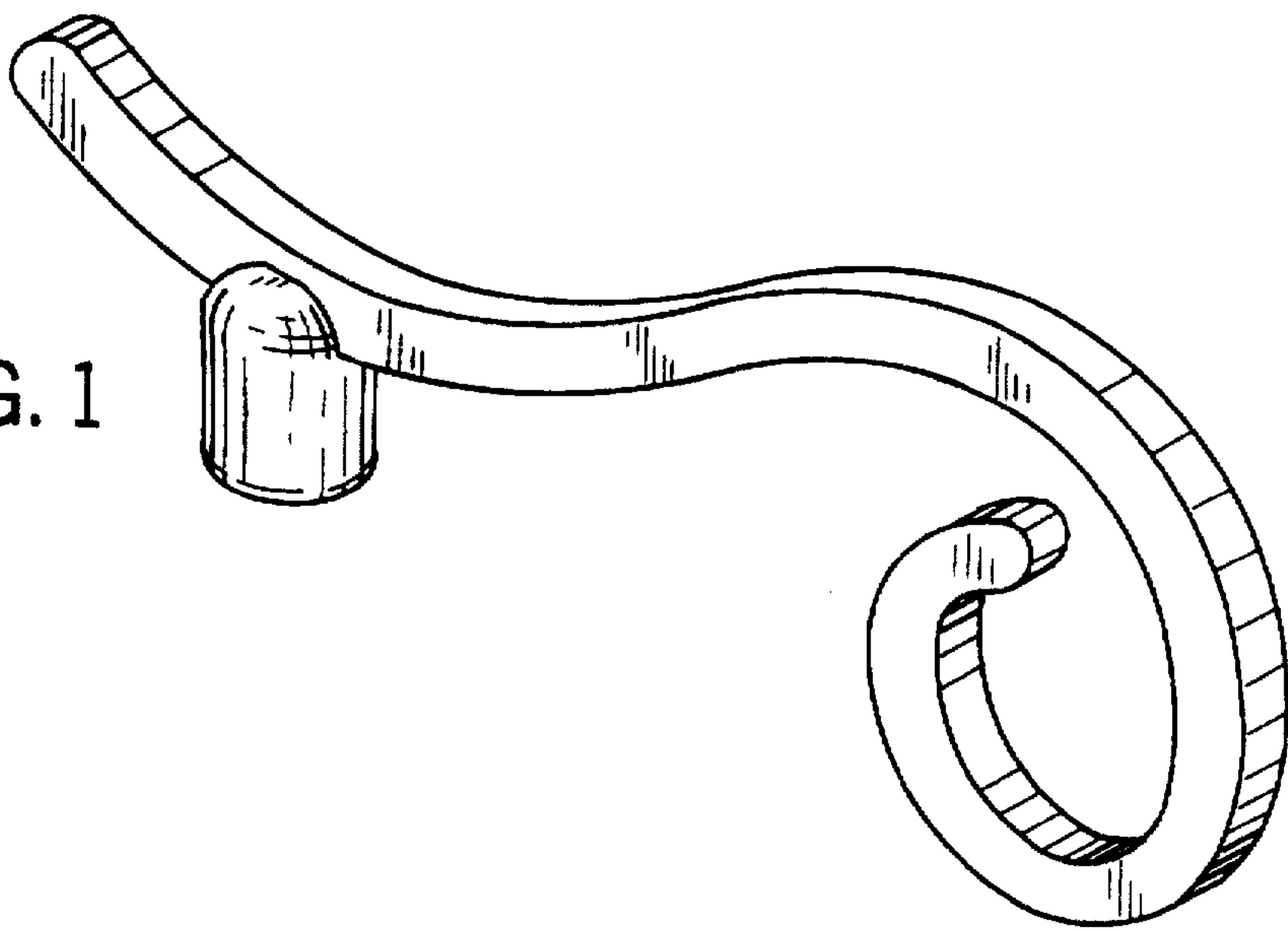


FIG. 2

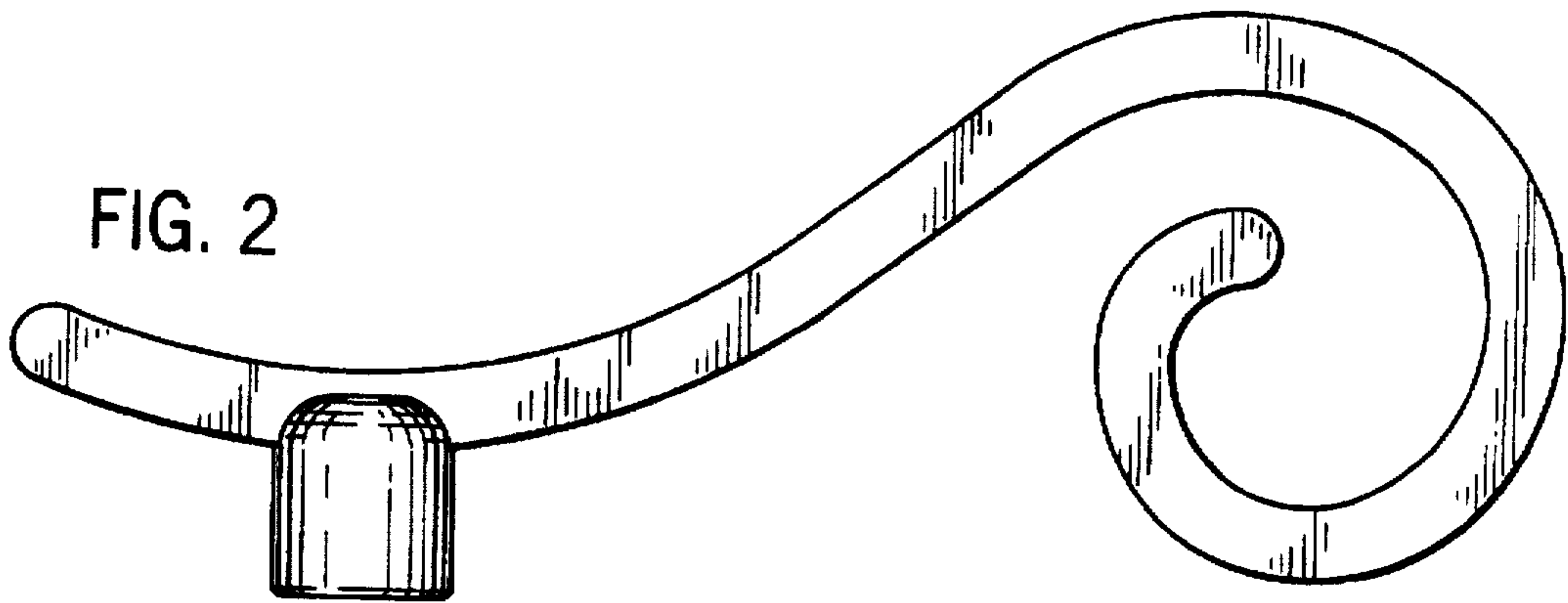


FIG. 3

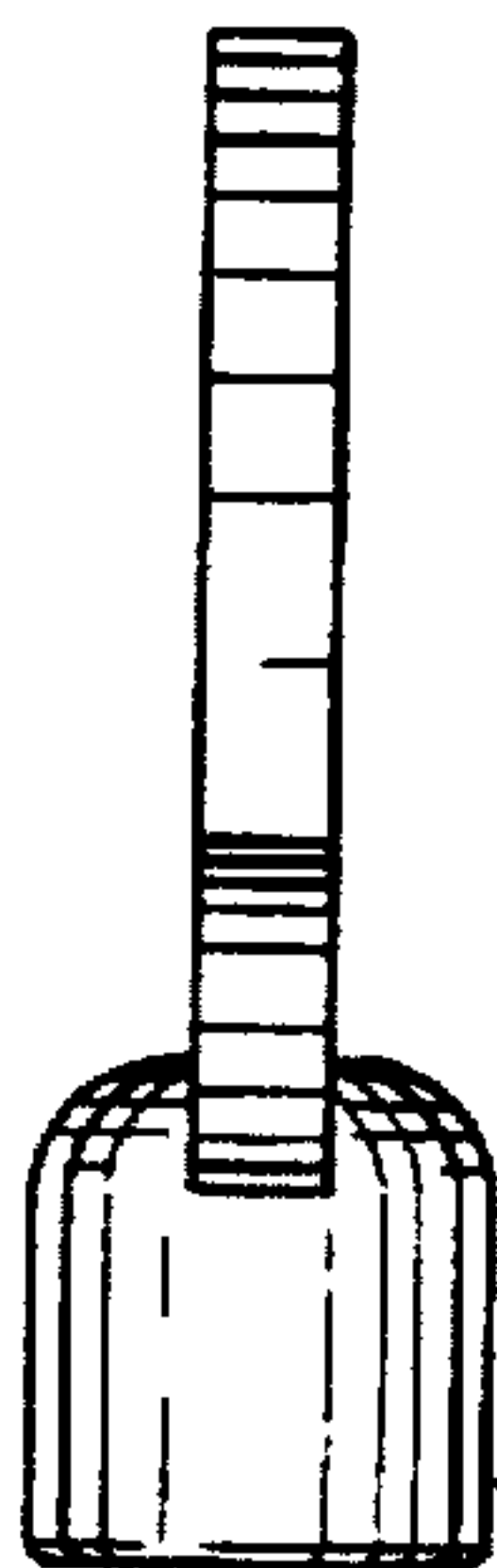


FIG. 4

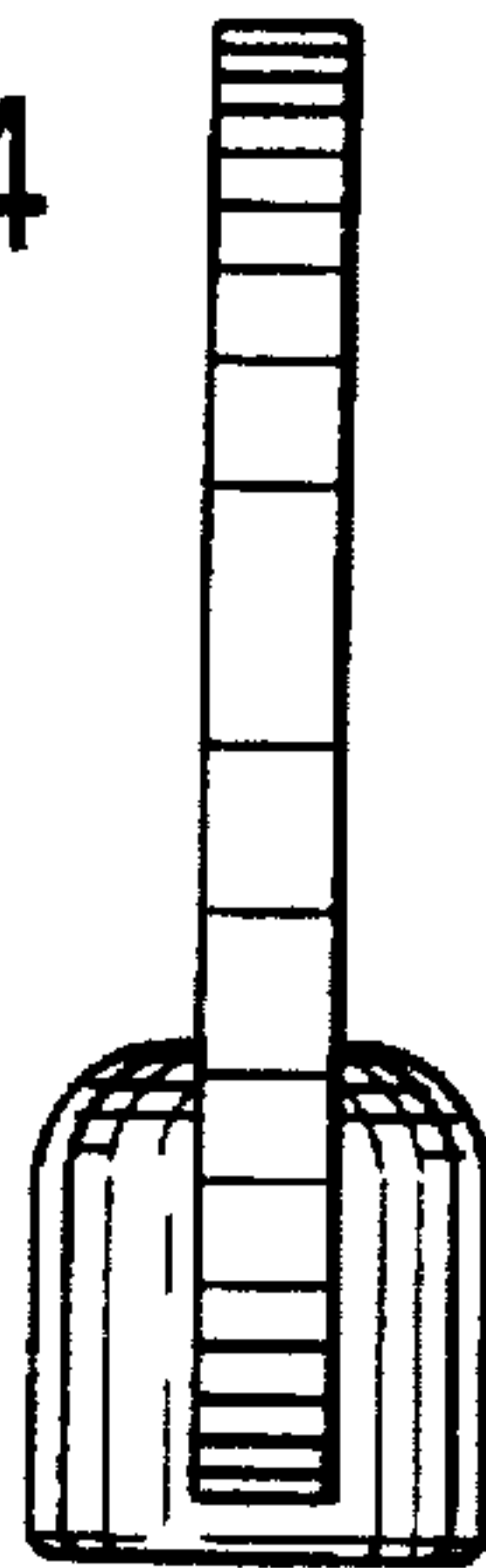


FIG. 5

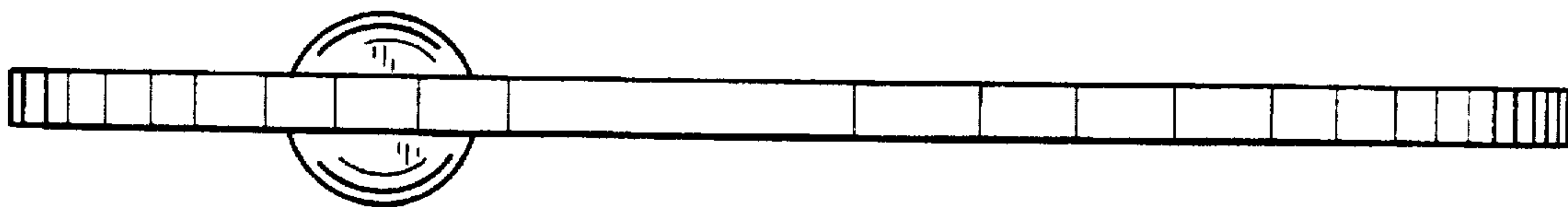
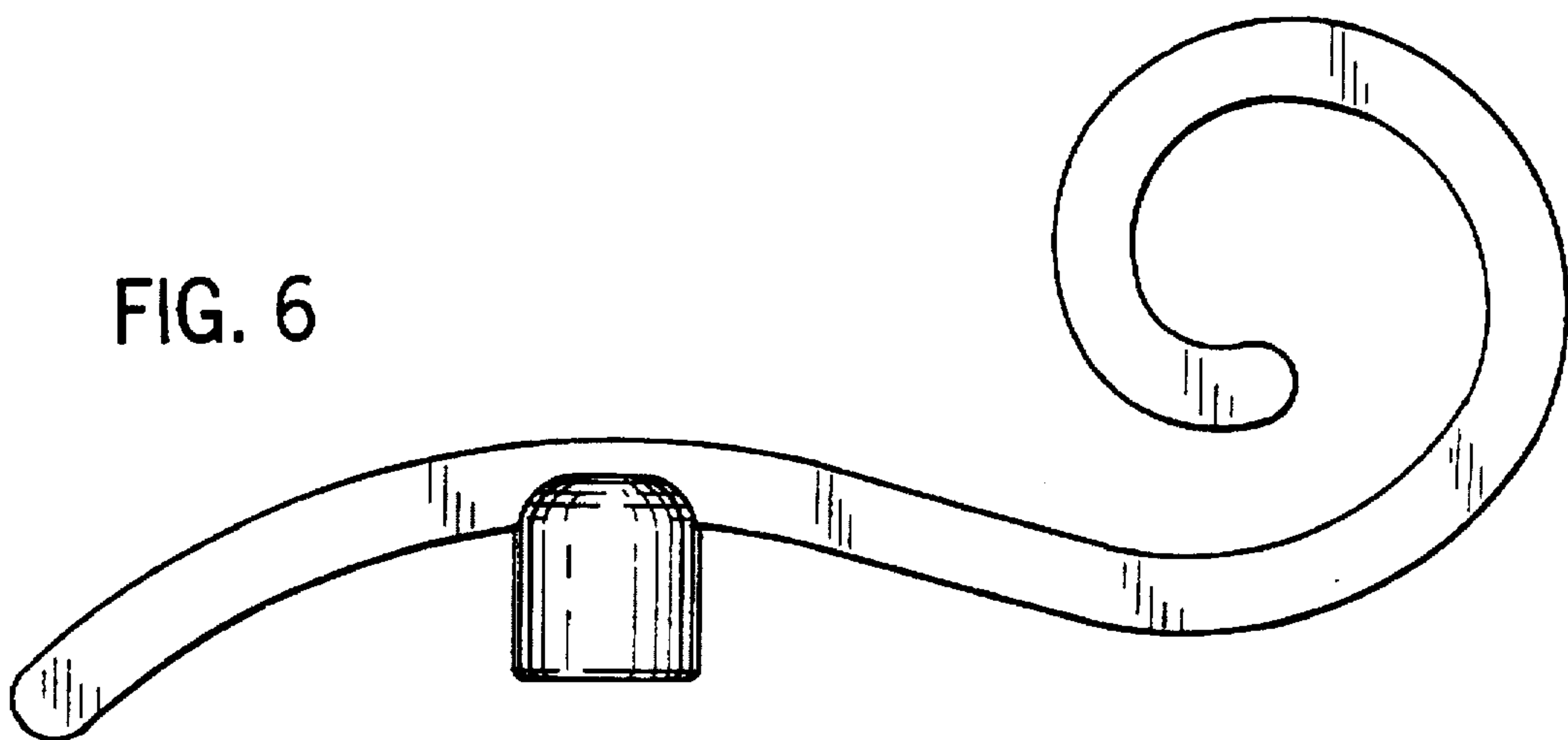


FIG. 6



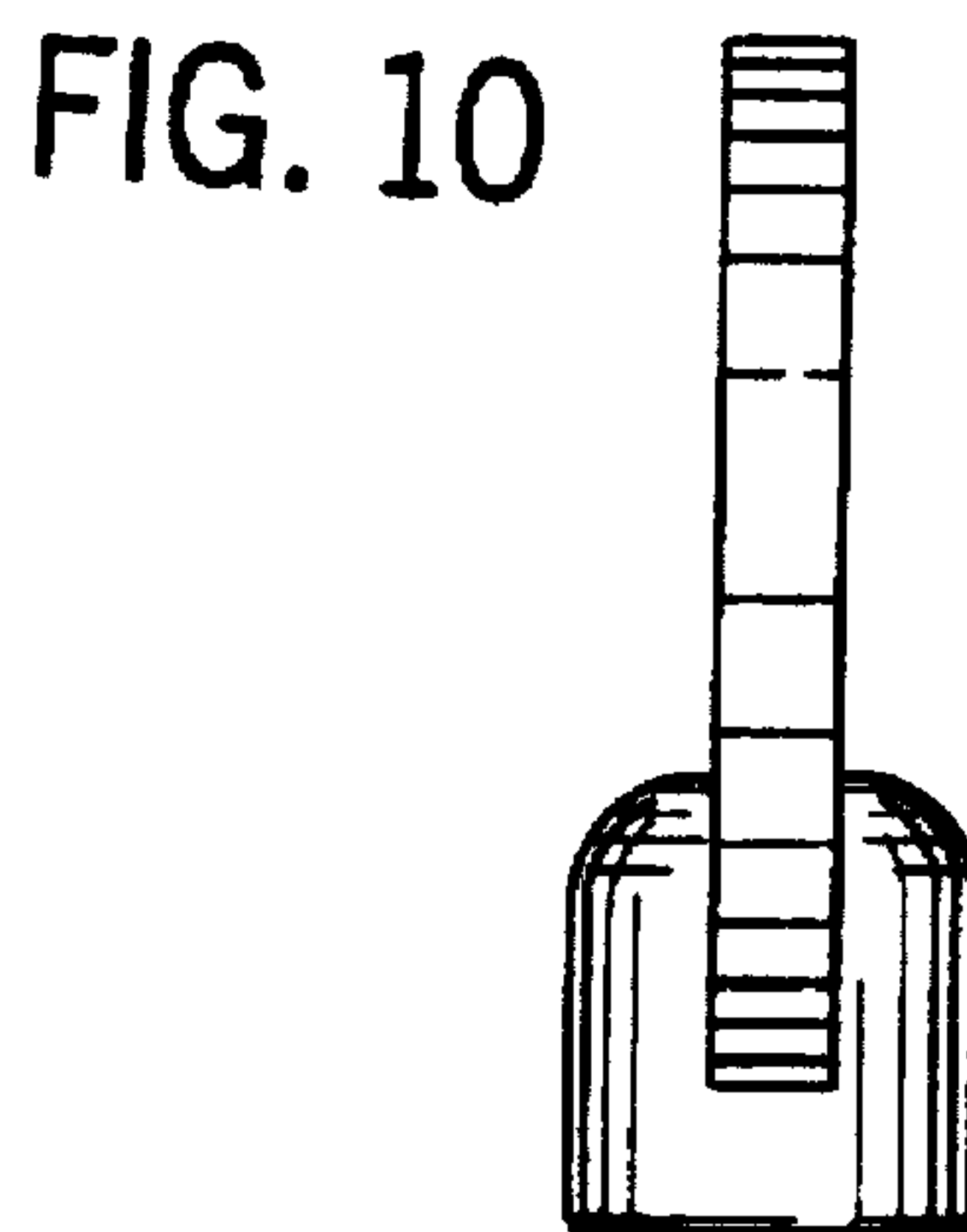
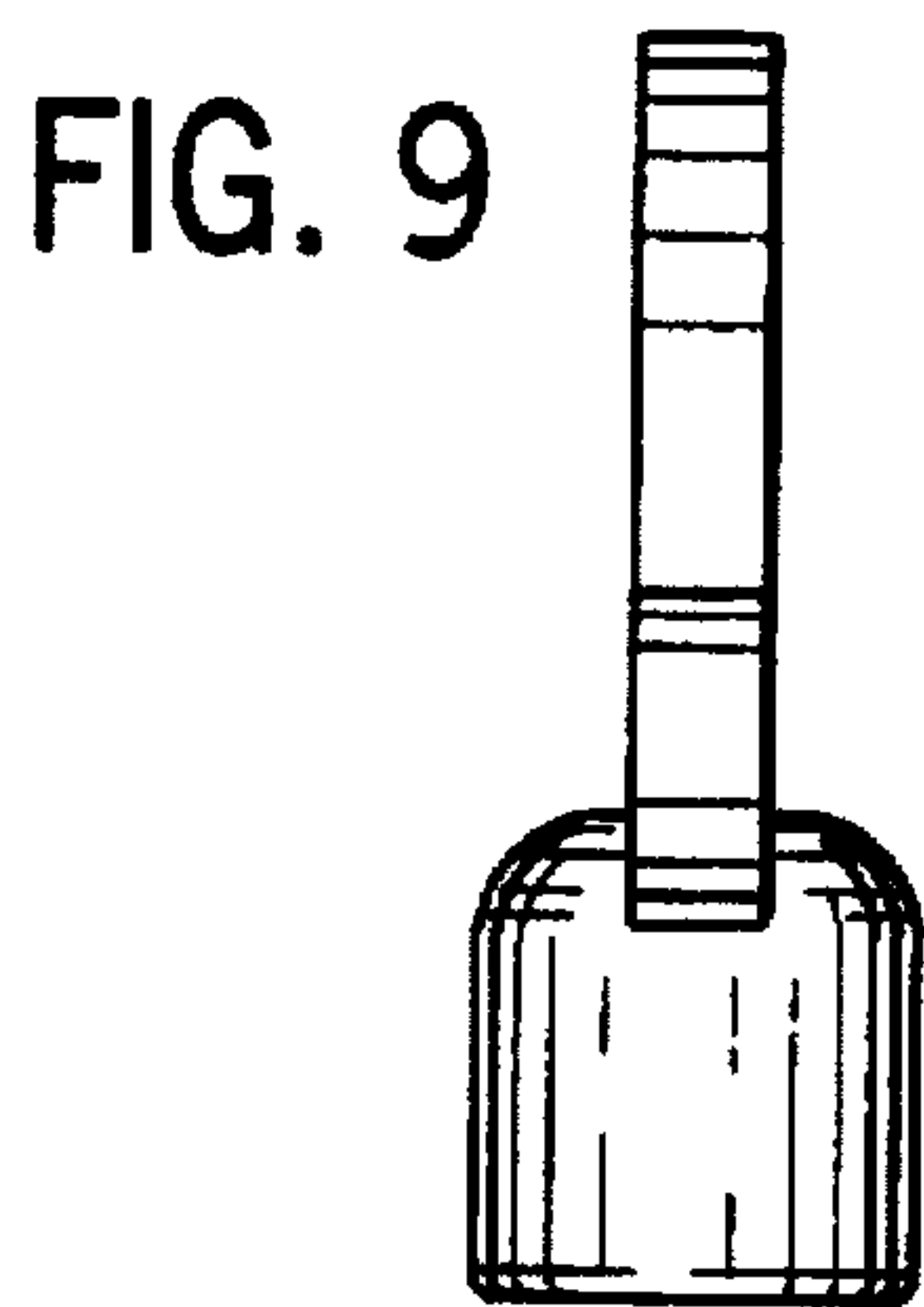
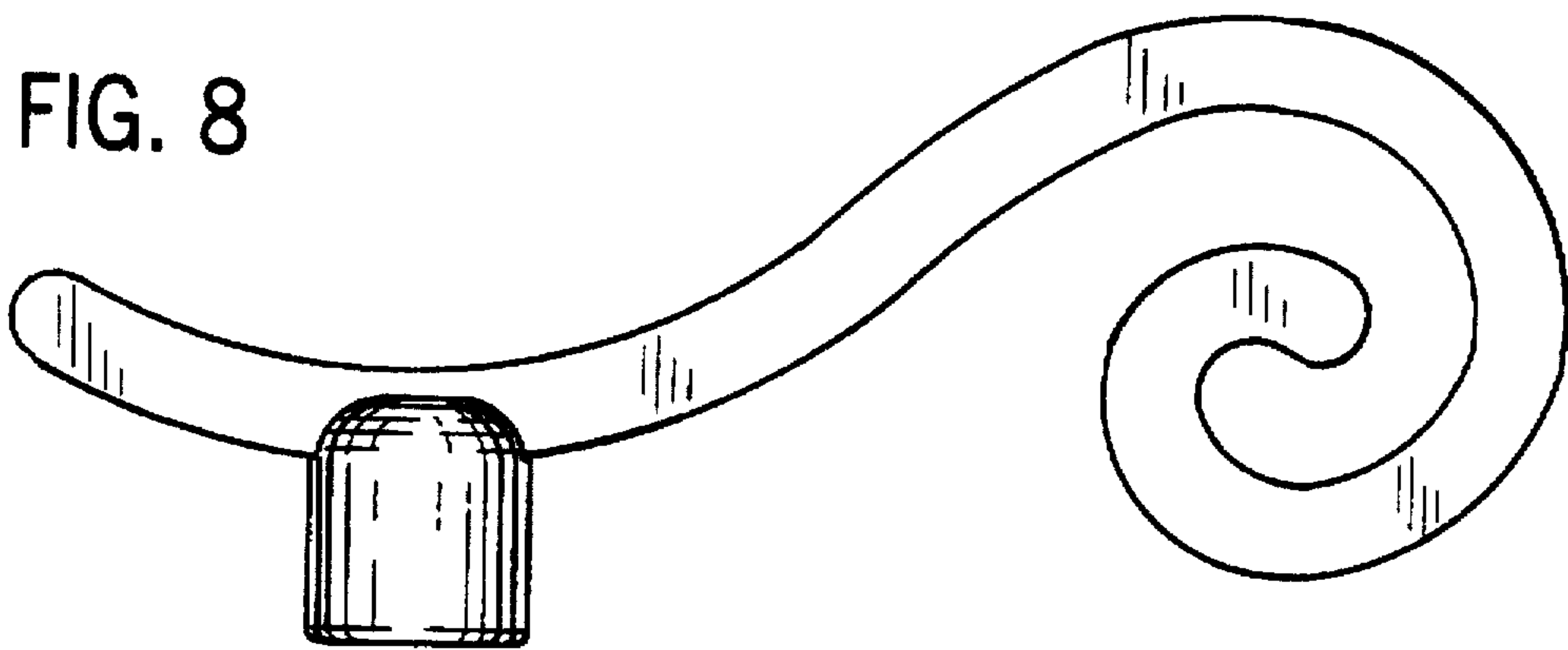
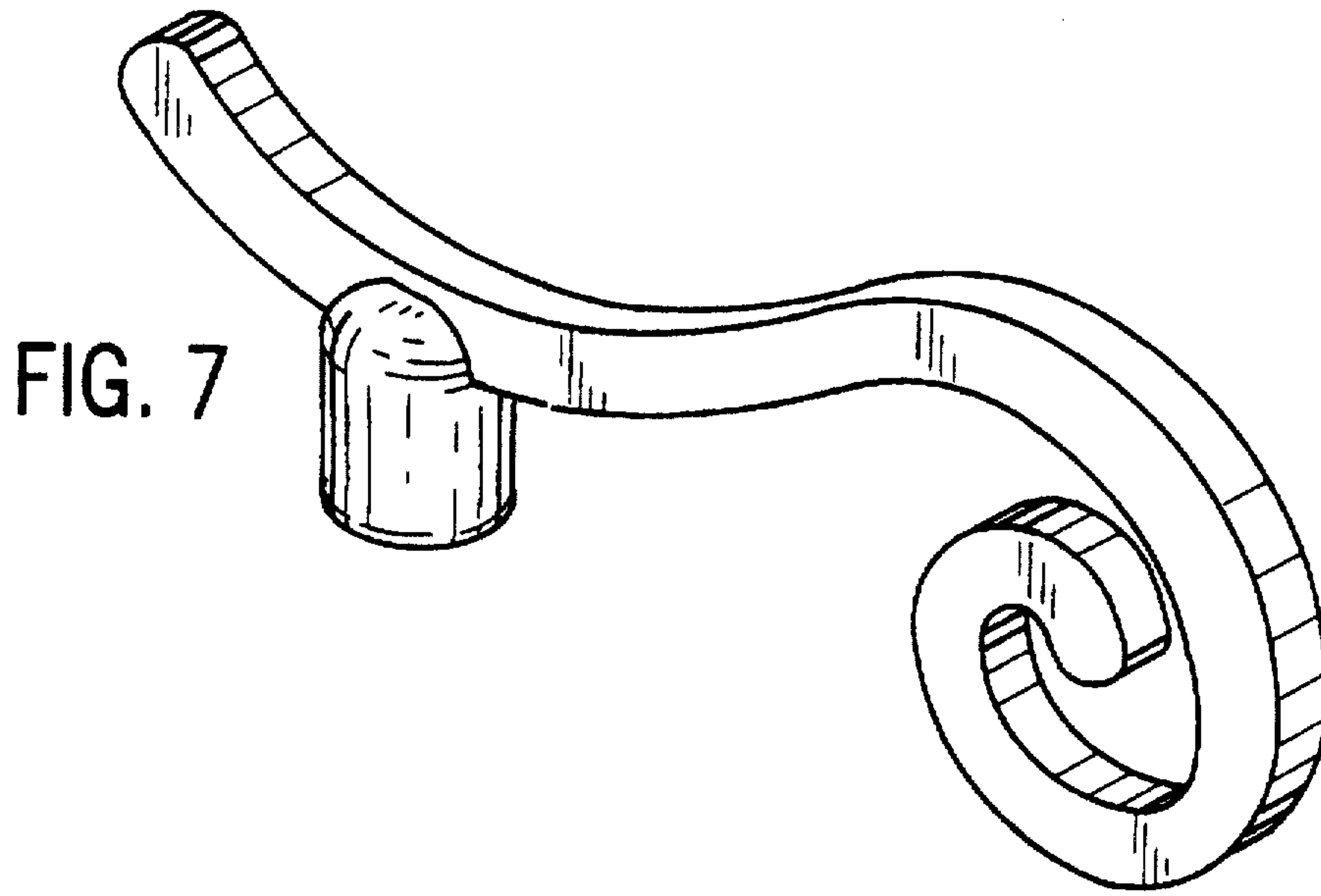




FIG. 11

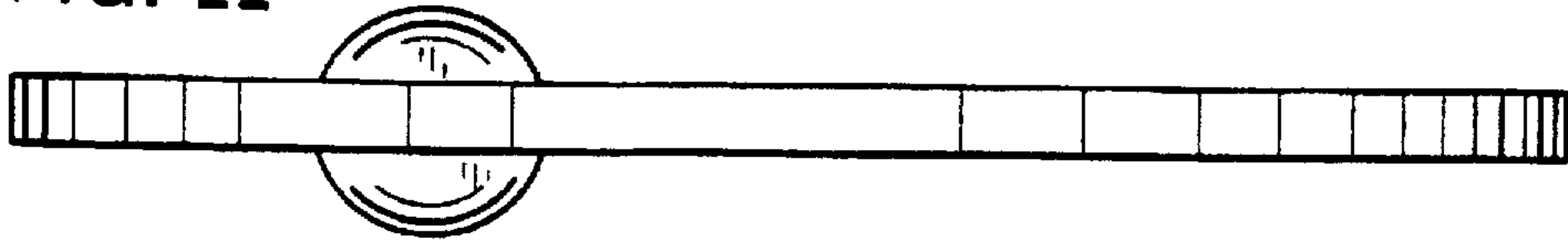


FIG. 12

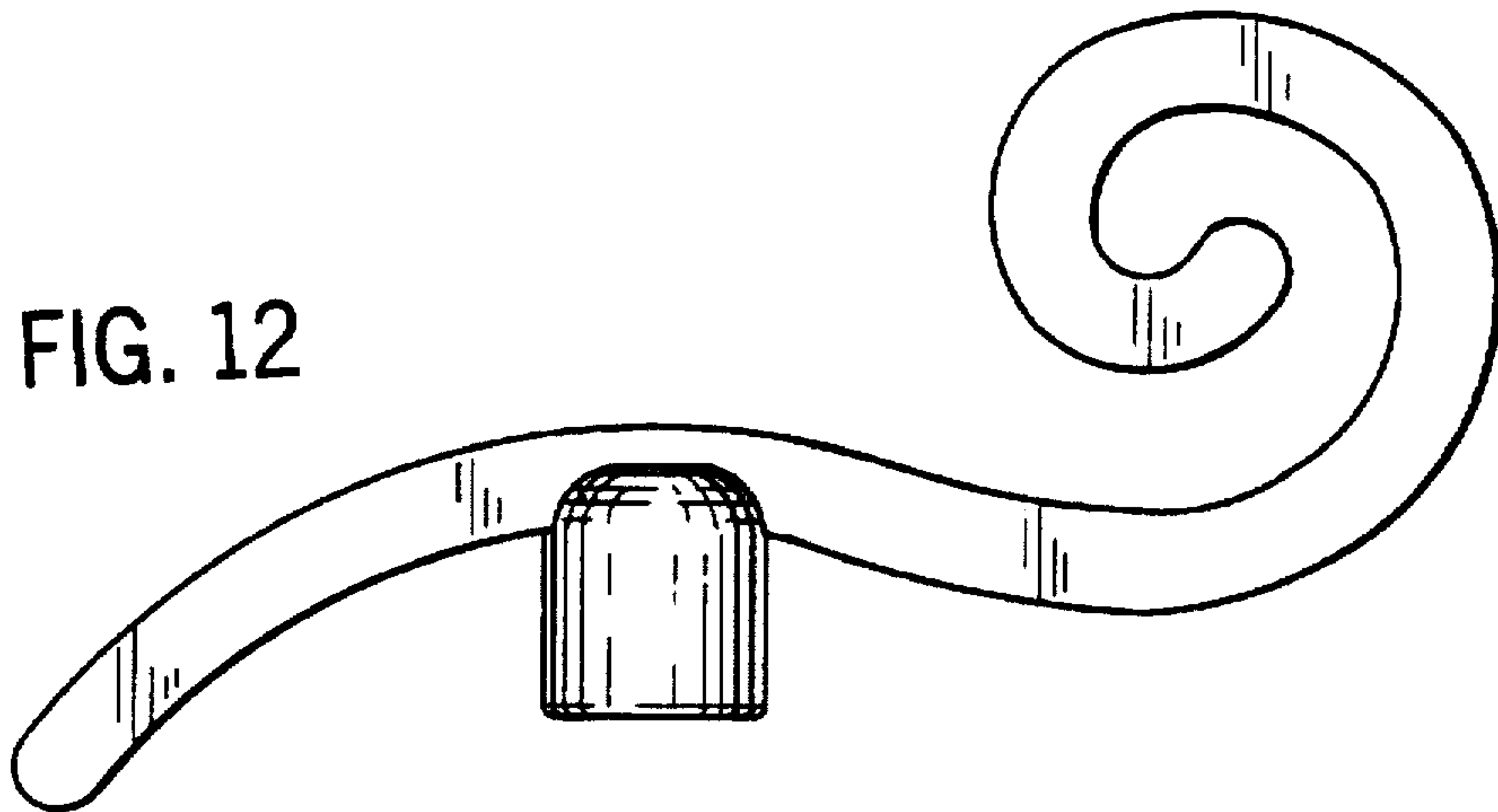


FIG. 13

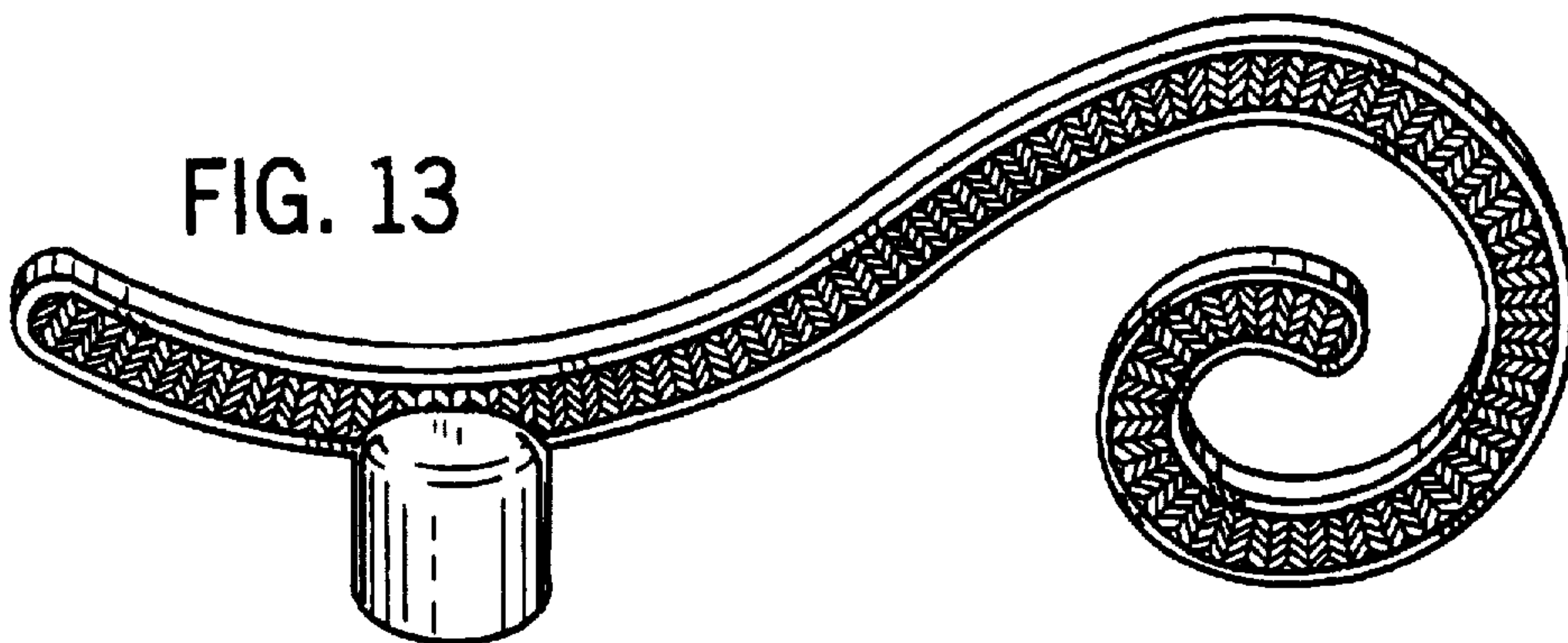


FIG. 14

