



US00D385946S

United States Patent [19]

Harrison et al.

[11] Patent Number: **Des. 385,946**

[45] Date of Patent: ****Nov. 4, 1997**

[54] **WATER PURIFIER**

[75] Inventors: **Marc S. Harrison**, Portsmouth, R.I.;
Jan-Christoph Zoels, Brooklyn, N.Y.;
David A. Snow, Barrington; **Raymond P. Denkwicz, Jr.**, Warwick, both of R.I.

[73] Assignee: **Fountainhead Technologies, Inc.**, Providence, R.I.

[**] Term: **14 Years**

[21] Appl. No.: **57,828**

[22] Filed: **Aug. 1, 1996**

[51] LOC (6) Cl. **23-01**

[52] U.S. Cl. **D23/209**

[58] Field of Search D23/200, 207-209;
210/249, 340, 341, 459, 460, 461, 264,
282

[56] **References Cited**

U.S. PATENT DOCUMENTS

D. 253,841 1/1980 Sanderson D23/207

D. 317,970 7/1991 Yen D23/200
3,087,560 4/1963 Dodson 210/459
5,273,649 12/1993 Magnusson 210/282

Primary Examiner—Joel Sincavage
Assistant Examiner—Robin V. Taylor
Attorney, Agent, or Firm—Kilpatrick Stockton LLP

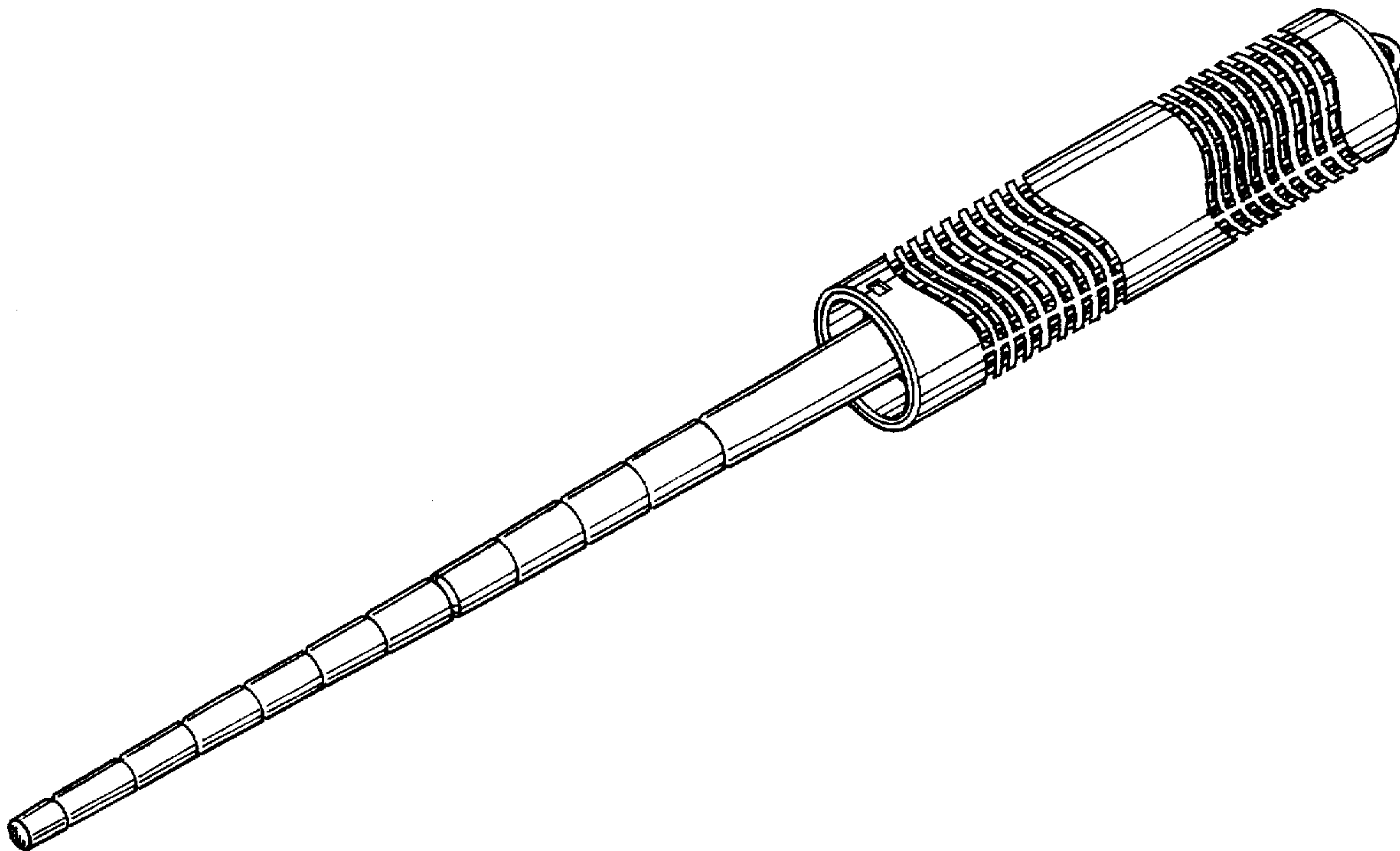
[57] CLAIM

The ornamental design for a water purifier, as shown and described.

DESCRIPTION

FIG. 1 is a perspective view of a water purifier showing our new design;
FIG. 2 is a exploded side plan view thereof;
FIG. 3 is a exploded side plane view thereof, perpendicular to that shown in FIG. 2;
FIG. 4 is an end view of one end thereof; and,
FIG. 5 is an end view thereof, opposite that shown in FIG. 4.

1 Claim, 2 Drawing Sheets



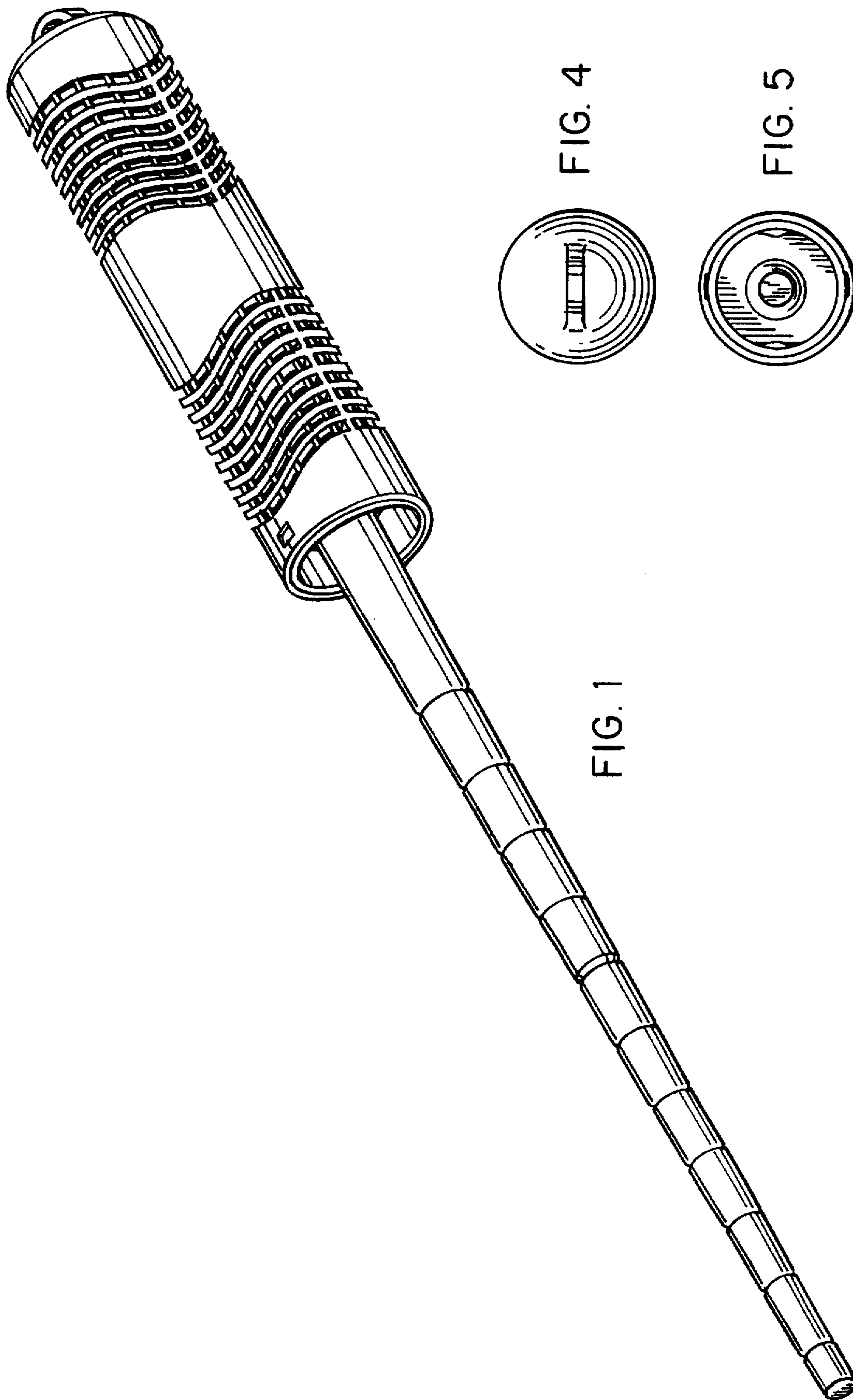


FIG. 4

FIG. 5

FIG. 1

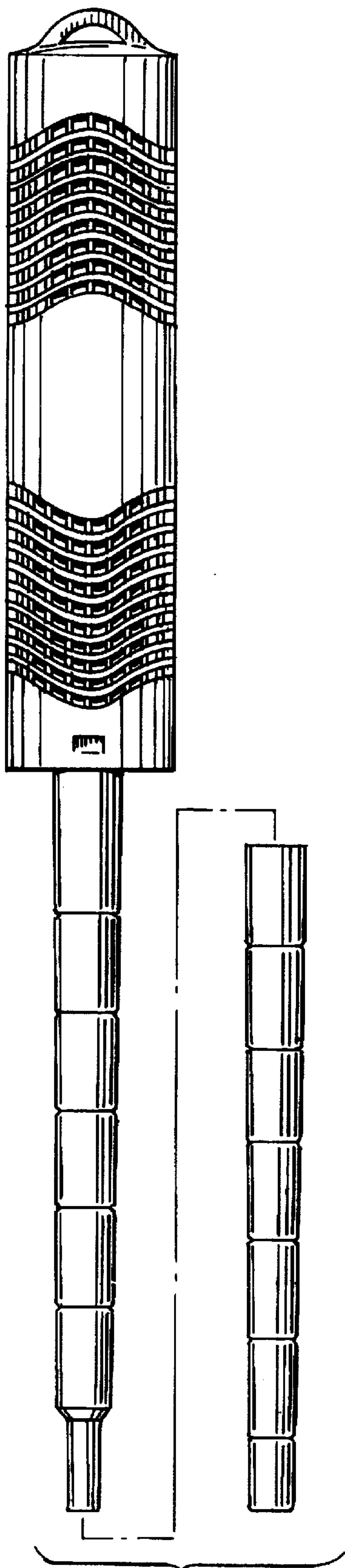


FIG. 2

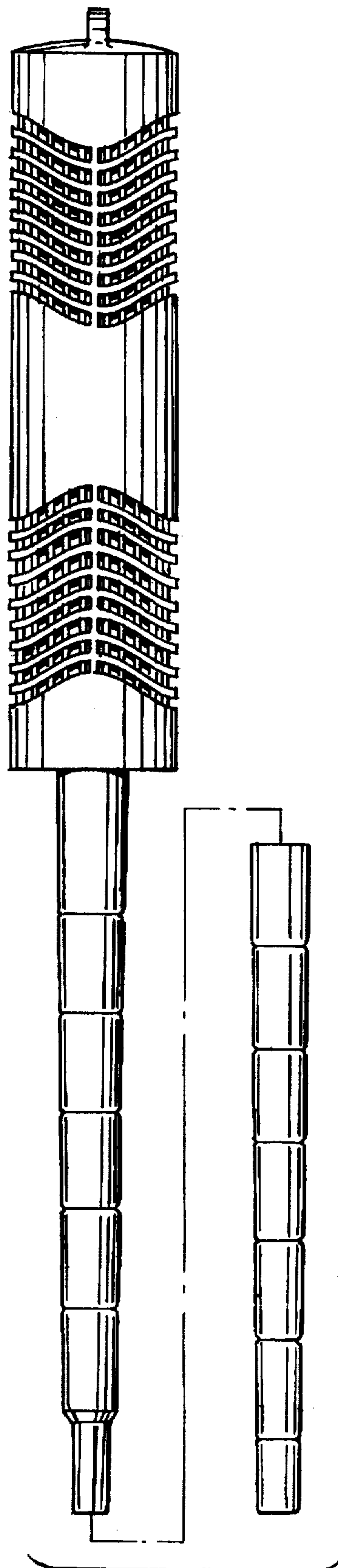


FIG. 3