



US00D385944S

United States Patent [19]

Hatfield

[11] Patent Number: **Des. 385,944**

[45] Date of Patent: ****Nov. 4, 1997**

[54] **SEPTIC TANK COVER**

[76] Inventor: **J. Paul Hatfield**, 8501 Bucyrus Ct.,
Unit 101, Manassas, Va. 20110

[**] Term: **14 Years**

[21] Appl. No.: **58,723**

[22] Filed: **Aug. 21, 1996**

[51] LOC (6) Cl. **23-01**

[52] U.S. Cl. **D23/203**

[58] Field of Search D23/200, 202,
D23/203, 206; 405/53; 141/392; 220/203.01;
210/513, 601, 532.2

[56] **References Cited**

U.S. PATENT DOCUMENTS

| | | | | |
|------------|---------|-----------------|-------|-----------|
| D. 271,789 | 12/1983 | Hardee et al. | | D23/206 |
| 2,213,458 | 9/1940 | Buckley | | 210/532.2 |
| 3,662,918 | 5/1972 | Crawford et al. | | D23/203 |
| 5,194,144 | 3/1993 | Blough | | 210/532.2 |

Primary Examiner—Alan P. Douglas
Assistant Examiner—Robin V. Taylor
Attorney, Agent, or Firm—Harold H. Dutton, Jr.; Diane F. Liebman

[57] **CLAIM**

The ornamental design of a septic tank cover, as shown and described.

DESCRIPTION

FIG. 1 is a perspective view of a septic tank cover showing my new design;
FIG. 2 is a top view thereof;
FIG. 3 is front view thereof, and the rear view is identical thereto;
FIG. 4 is a side view thereof, and the opposite side is identical thereto; and,
FIG. 5 is a bottom view thereof.
The tube portion of the cover is shown fragmented in FIGS. 1, 3 and 4 to indicate indeterminate length.

1 Claim, 2 Drawing Sheets

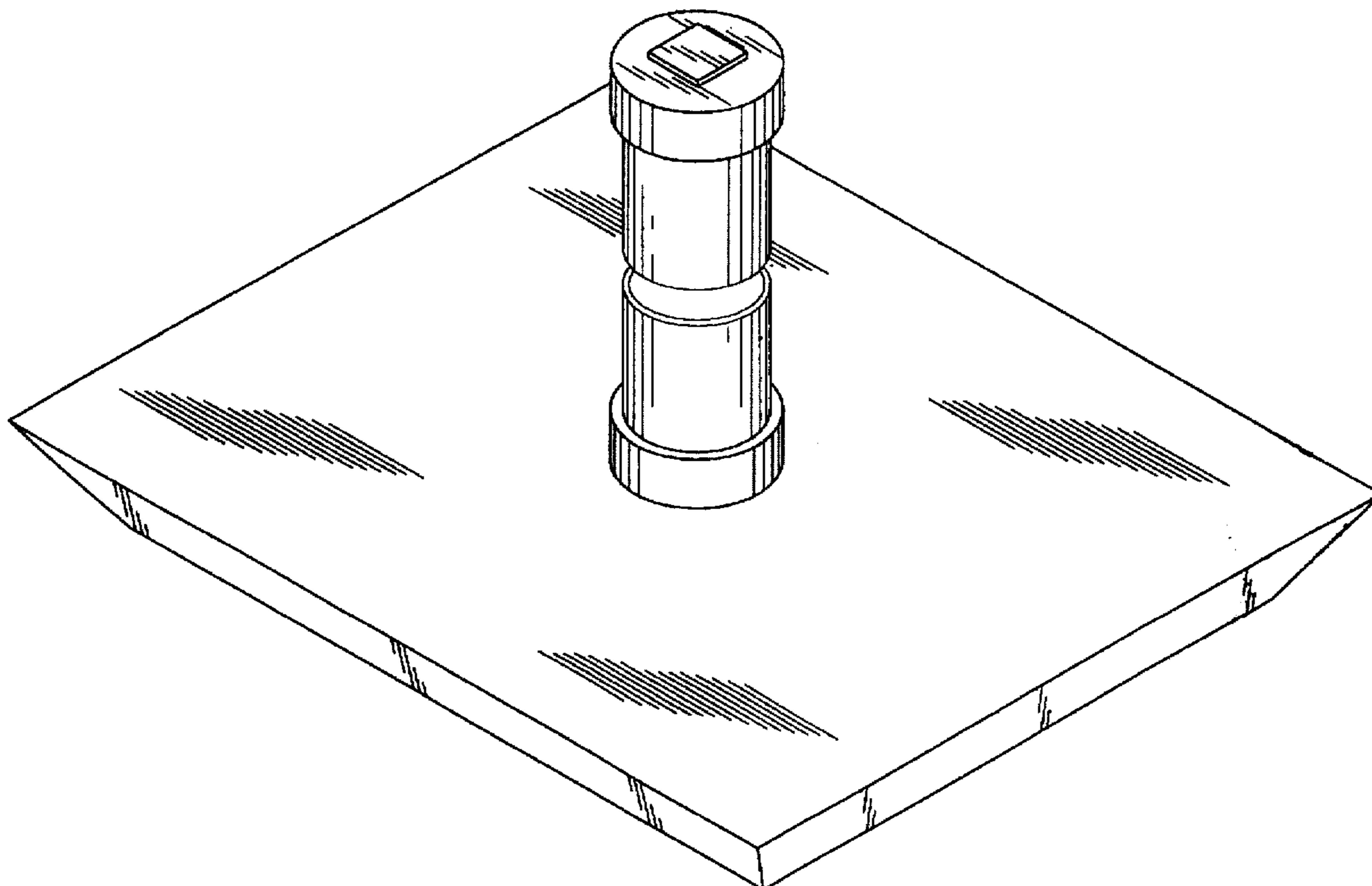


FIG. 1

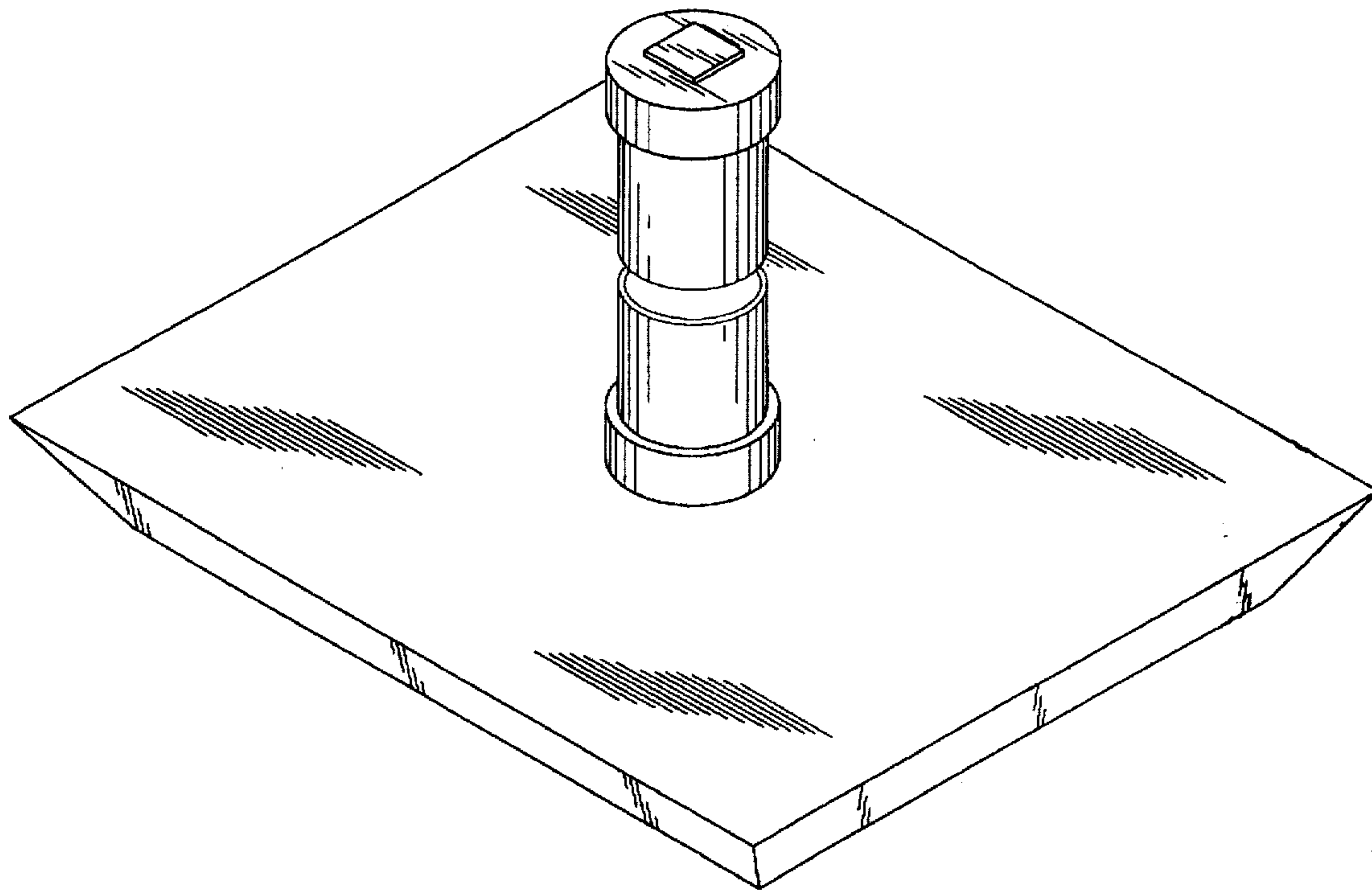


FIG. 2

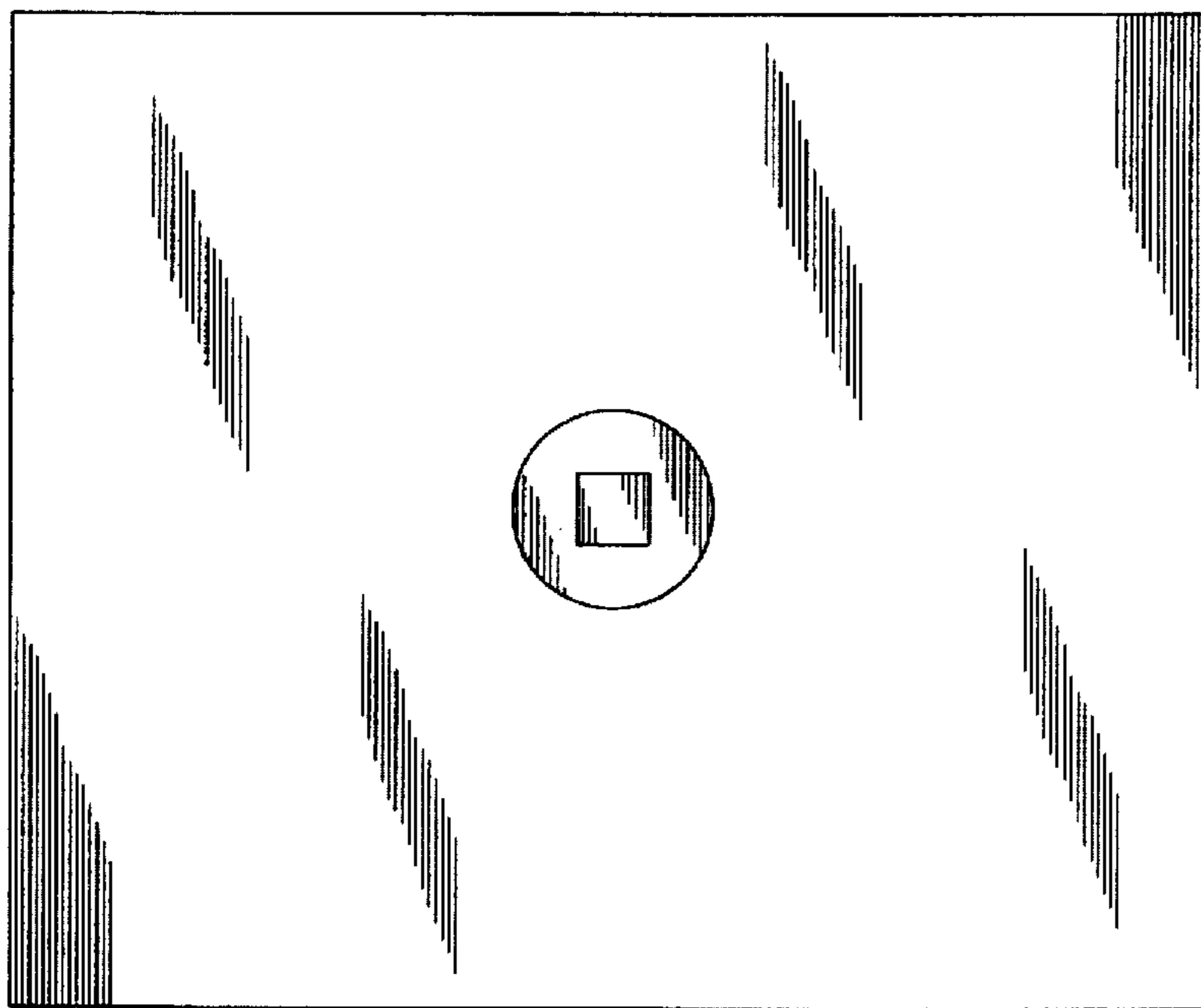


FIG. 4

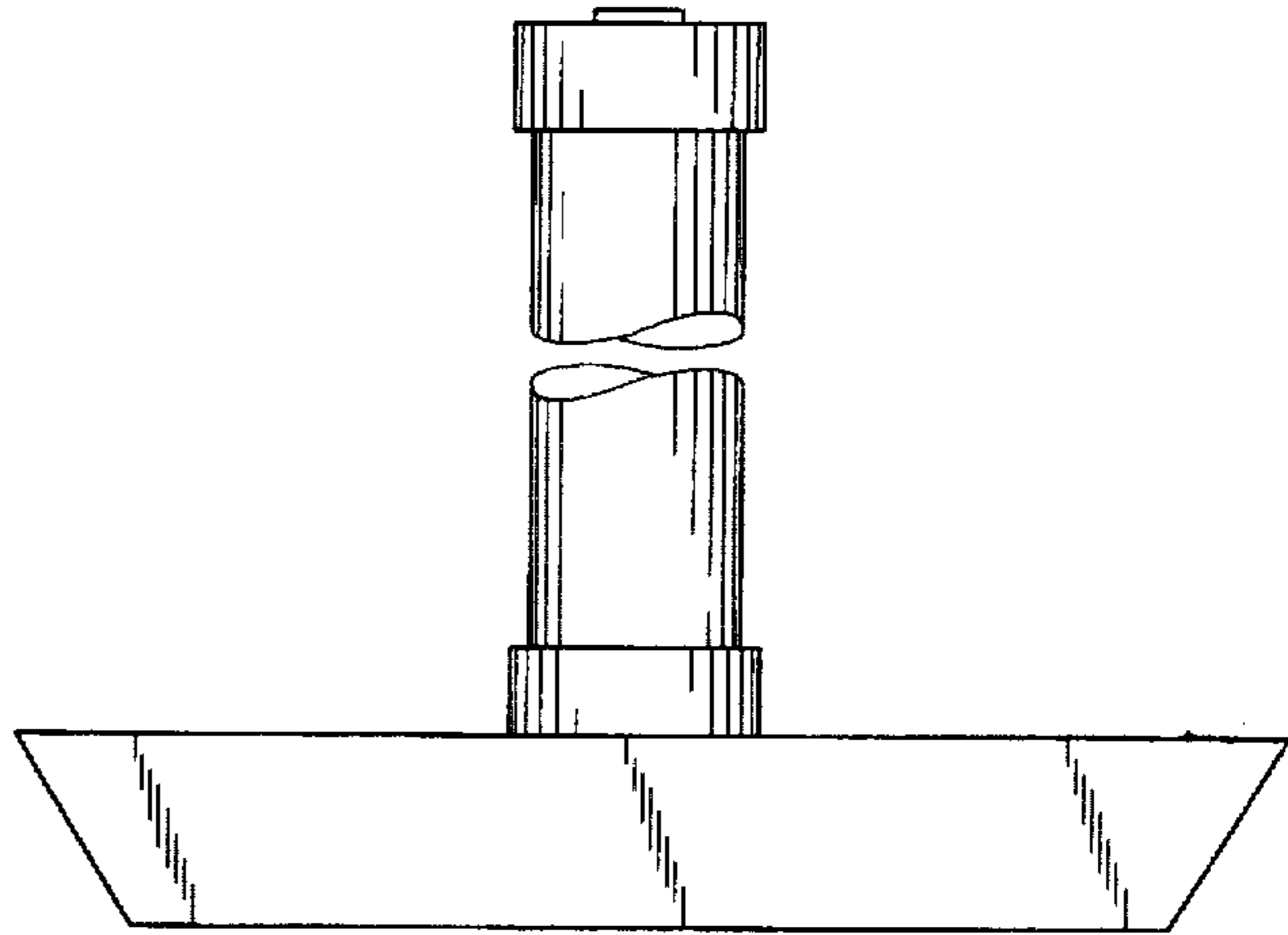


FIG. 3

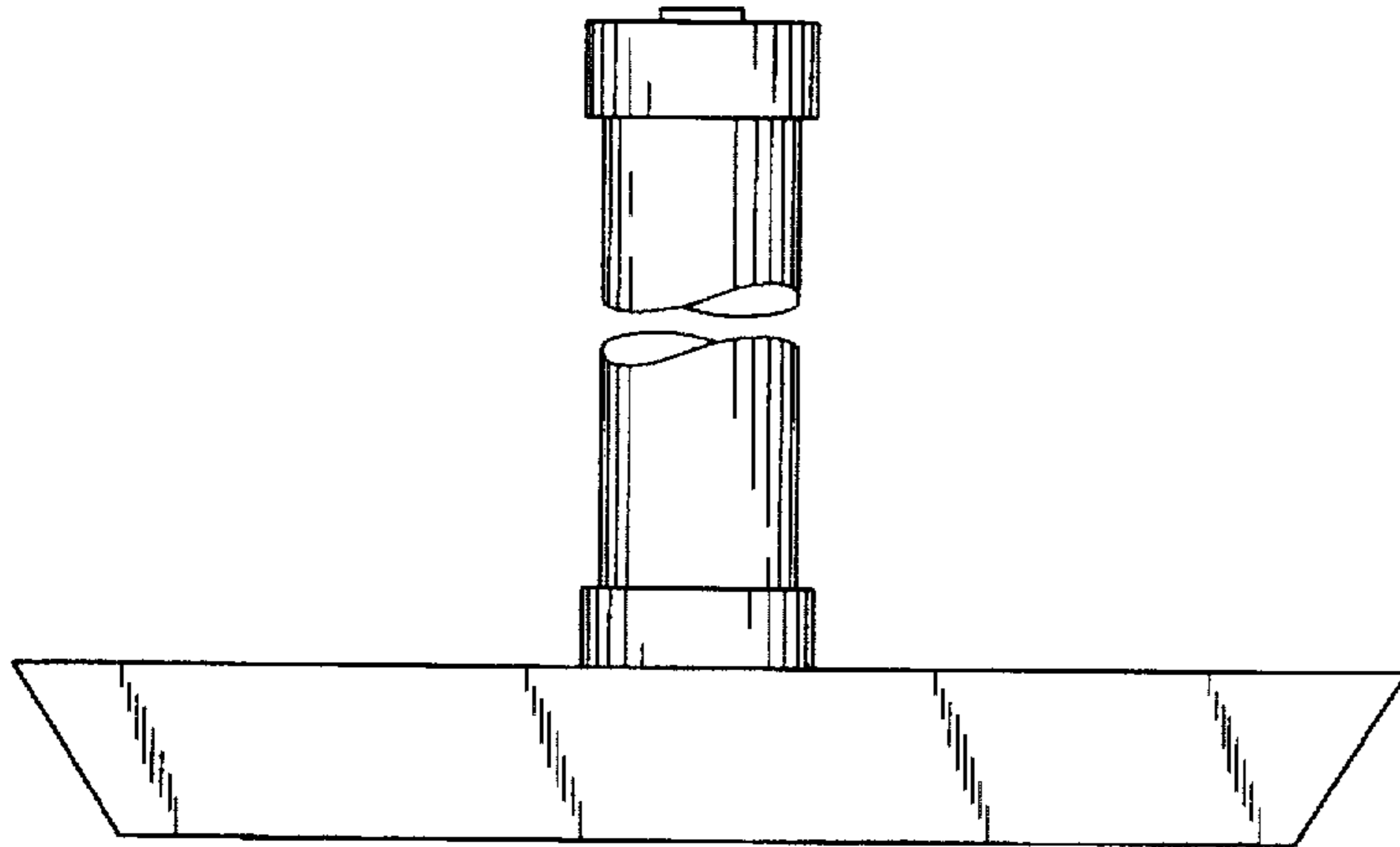


FIG. 5

