



US00D385939S

United States Patent [19]
Suk

[11] **Patent Number:** **Des. 385,939**

[45] **Date of Patent:** ****Nov. 4, 1997**

[54] **GOLF TEE ATTACHMENT**

[76] **Inventor:** **Young J. Suk**, 32 Garvies Point Rd.,
Glen Cove, N.Y. 11542

[**] **Term:** **14 Years**

[21] **Appl. No.:** **59,087**

[22] **Filed:** **Sep. 3, 1996**

[51] **LOC (6) Cl.** **21-02**

[52] **U.S. Cl.** **D21/234; D21/208**

[58] **Field of Search** **D21/208, 234,**
D21/223; 473/284

[56] **References Cited**

U.S. PATENT DOCUMENTS

D. 111,855	10/1938	Moreno	D21/221
D. 232,568	8/1974	Brown	D21/221 X
D. 376,182	12/1996	Lusk	D21/208
3,347,551	10/1967	Dreyfus	D21/208 X

Primary Examiner—Raphael Barkai
Assistant Examiner—Mitchell I. Siegel
Attorney, Agent, or Firm—Myron Amer PC

[57] **CLAIM**

The ornamental design for a golf tee attachment, as shown and described.

DESCRIPTION

FIG. 1 is a perspective view of golf tee attachment showing my new design;

FIG. 2 is an isolated plan view thereof;

FIG. 3 is a front view thereof with said golf tee;

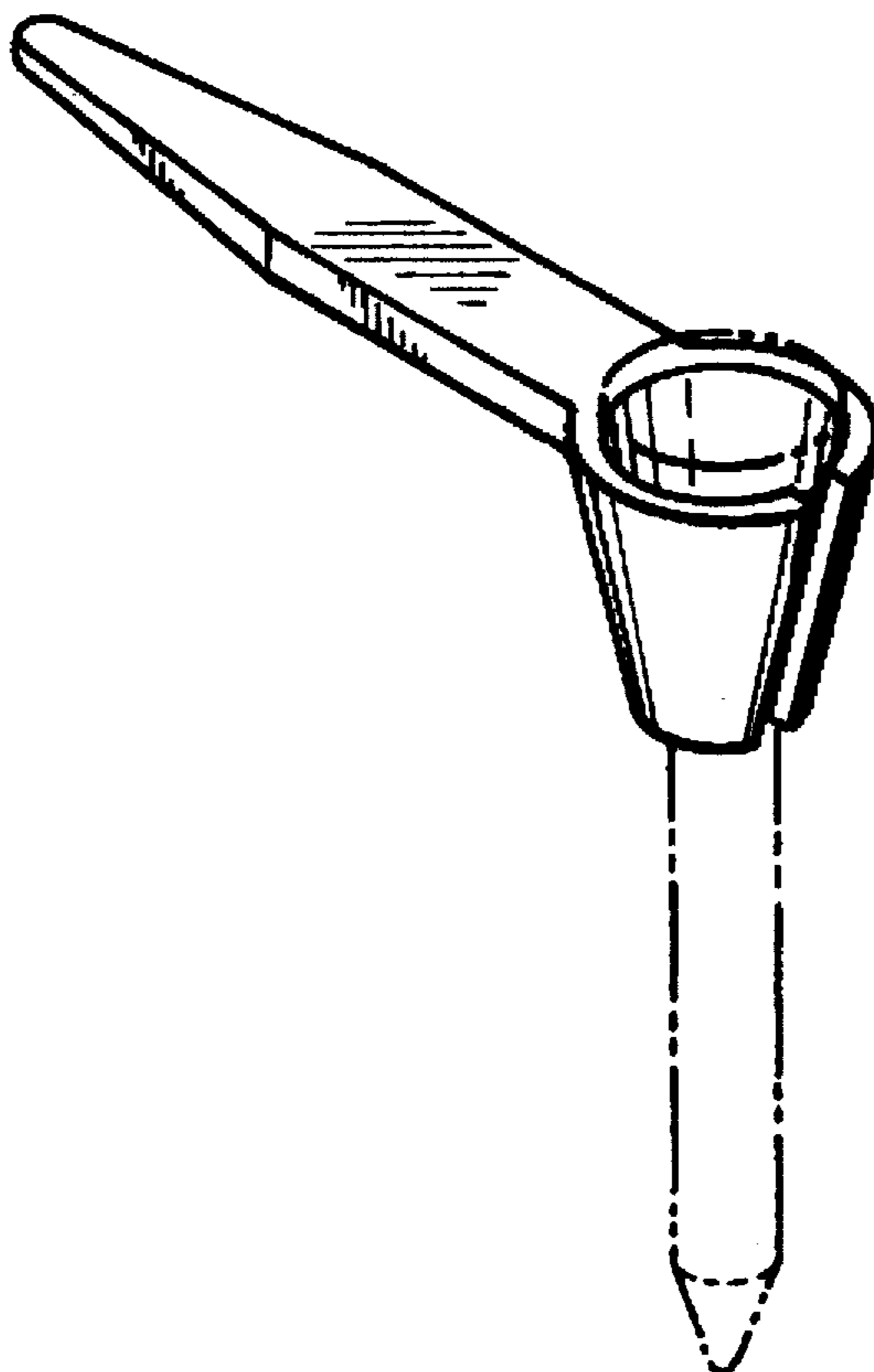
FIG. 4 is a left side elevational view thereof with said golf tee, of which a right side elevational is a mirror image;

FIG. 5 is a rear view thereof with said golf tee; and,

FIG. 6 is an isolated bottom view thereof.

The broken line showing of the golf tee is for illustrative purposes only and forms no part of the claimed design.

1 Claim, 1 Drawing Sheet



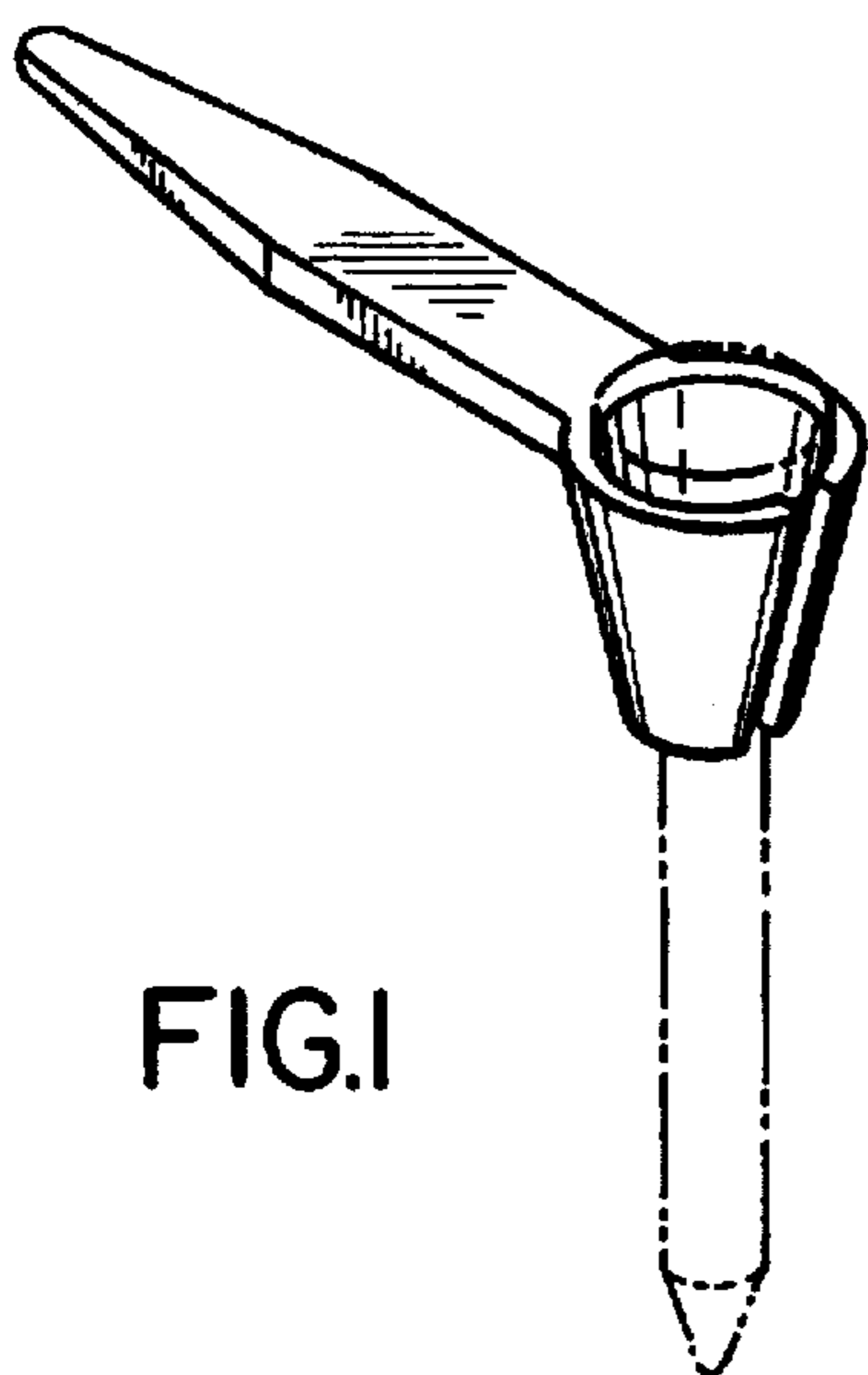


FIG. 1

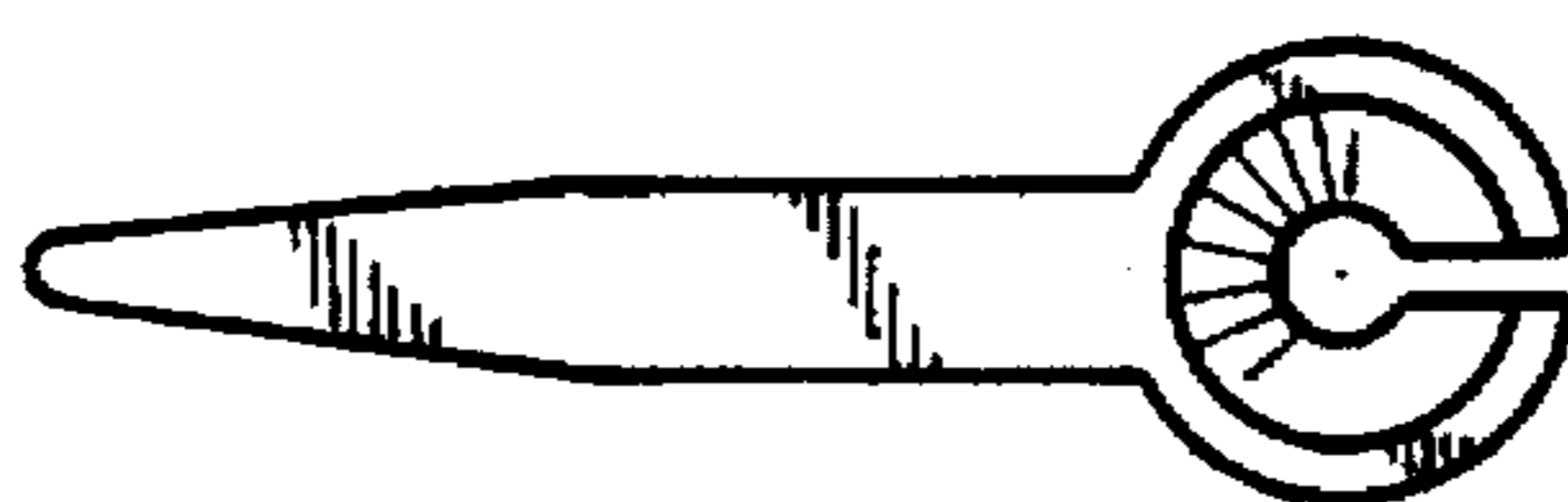


FIG. 2

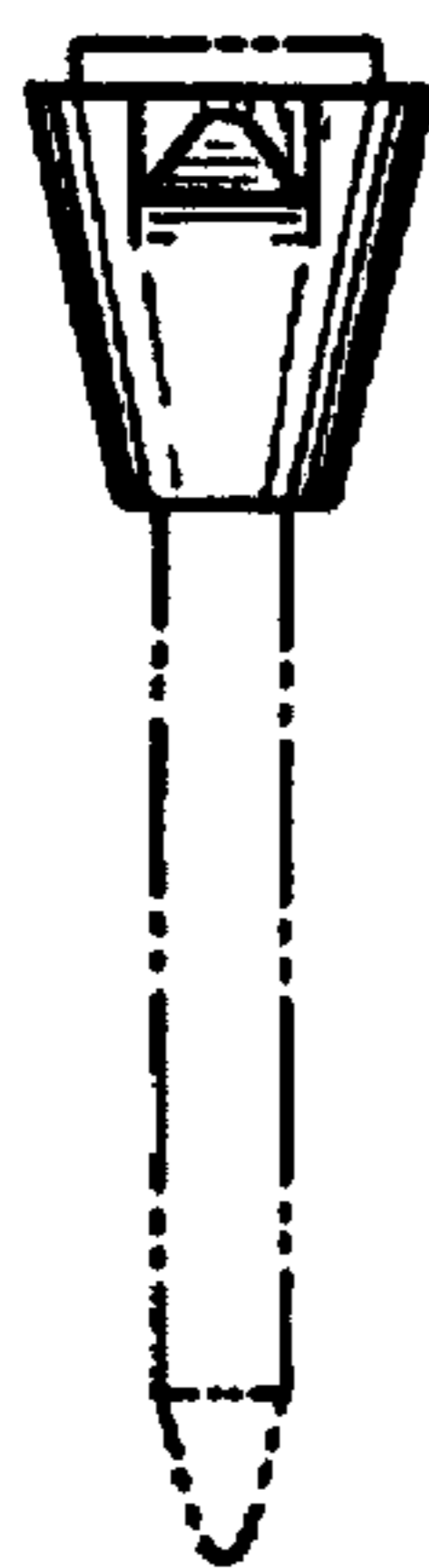


FIG. 5

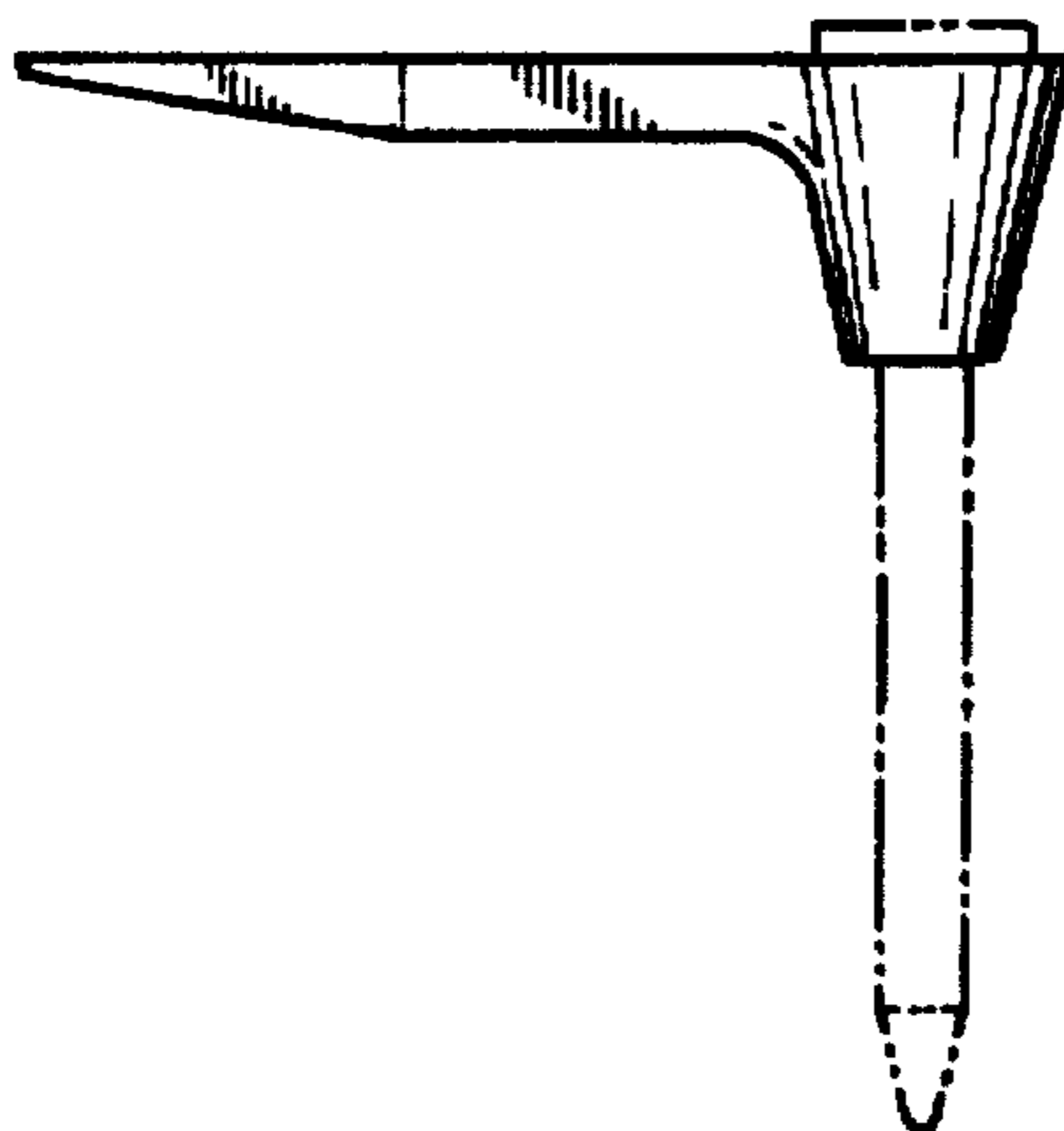


FIG. 4

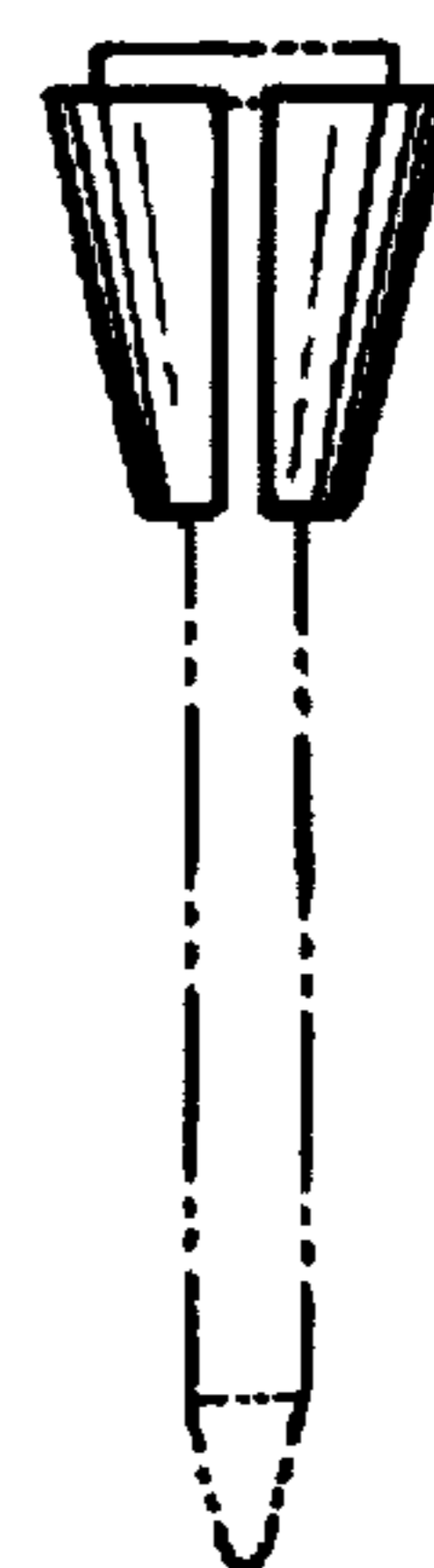


FIG. 3



FIG. 6