

US00D385938S

United States Patent [19]

Wittek, Sr. et al.

[11] Patent Number: **Des. 385,938**

[45] Date of Patent: ****Nov. 4, 1997**

[54] **TEE DIVIDER FOR A GOLF DRIVING RANGE**

5,586,942 12/1996 Wittek, Sr. et al. 473/168
5,603,669 2/1997 Scott et al. 472/405

[75] Inventors: **Robert Wittek, Sr.**, Chicago; **Aron Cantrell**, River Grove; **Terry Sopko**, Wood Dale, all of Ill.

Primary Examiner—Raphael Barkai
Assistant Examiner—Mitchell I. Siegel
Attorney, Agent, or Firm—Silverman, Cass & Singer, Ltd.

[73] Assignee: **Wittek Golf Supply Co., Inc.**, Chicago, Ill.

[57] **CLAIM**

[**] Term: **14 Years**

The ornamental design for a tee divider for a golf driving range, as shown and described.

[21] Appl. No.: **49,344**

DESCRIPTION

[22] Filed: **Jan. 23, 1996**

FIG. 1 is a perspective view of a tee divider for a golf driving range showing our new design, the broken line showing of fragmented tee mats is for illustrative purposes only and forms no part of the claimed design;

[51] LOC (6) Cl. **21-02**

[52] U.S. Cl. **D21/234**

[58] Field of Search D21/234; 473/405, 473/168, 150, 158

FIG. 2 is a top plan view thereof;

FIG. 3 is a side elevational view, the opposite side being identical thereof;

FIG. 4 is a rear end elevational view thereof; and,

FIG. 5 is a front end elevational view thereof.

[56] **References Cited**

U.S. PATENT DOCUMENTS

5,014,985 5/1991 Capps 473/168

1 Claim, 2 Drawing Sheets

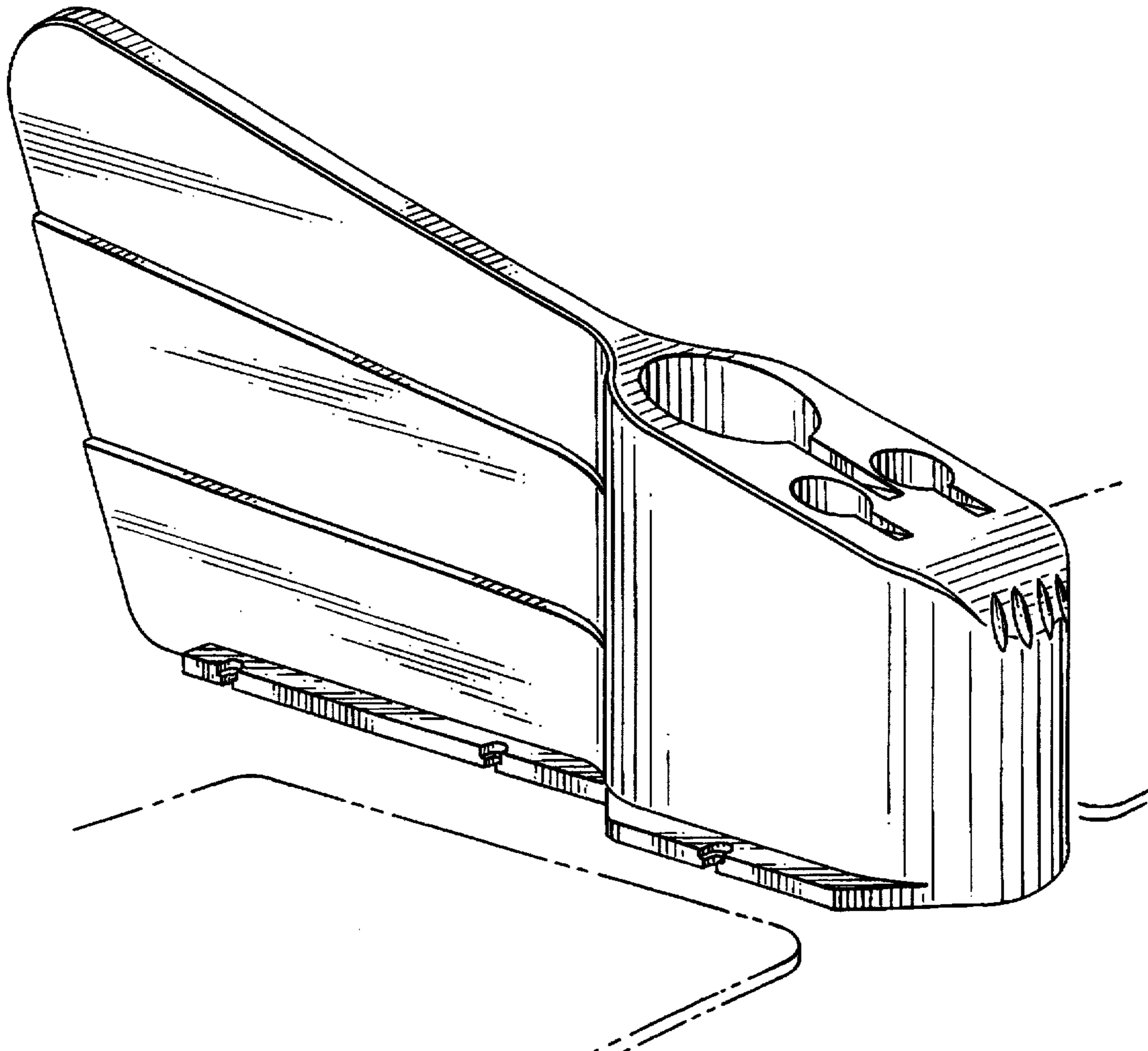


FIG. 1

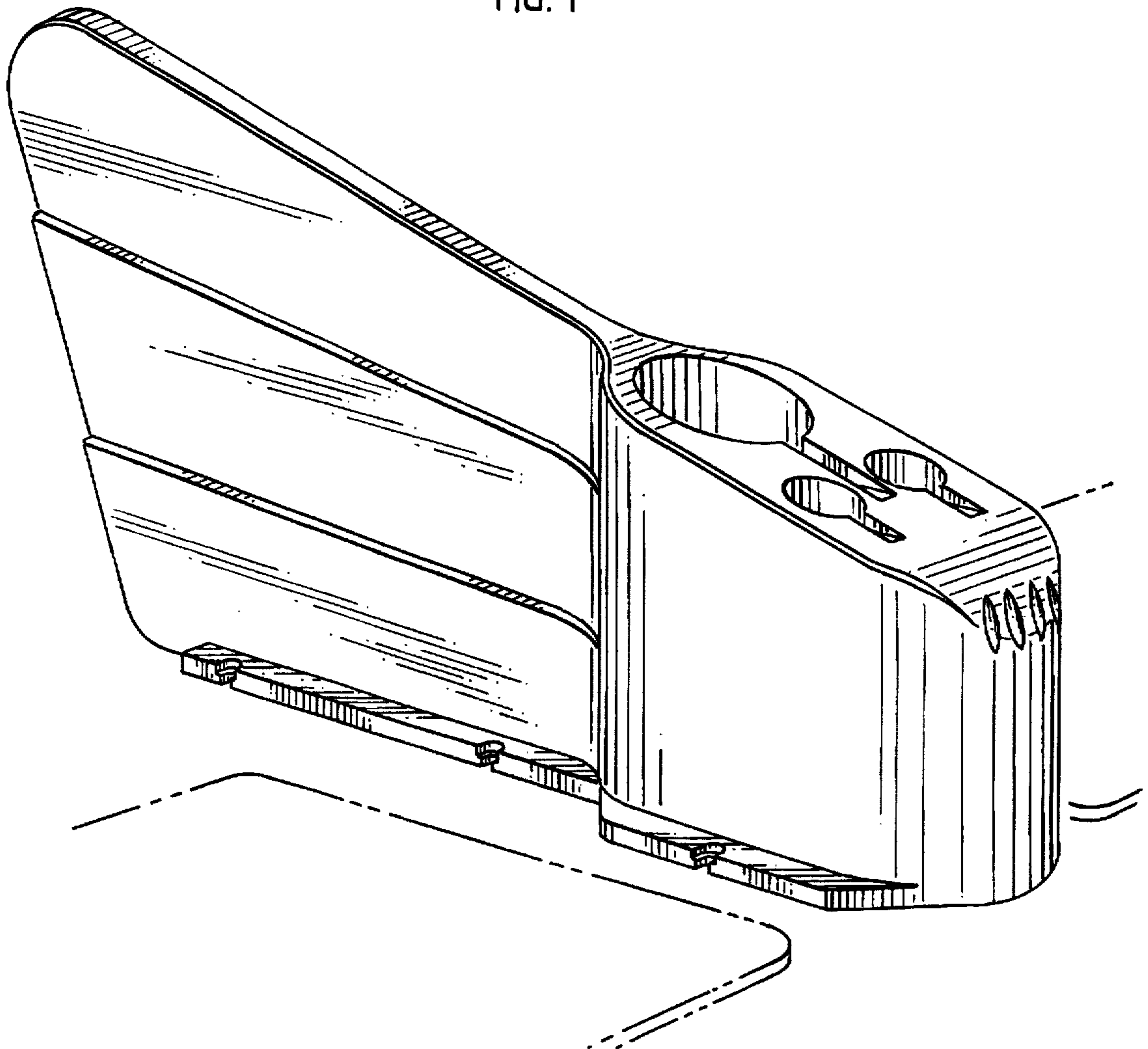
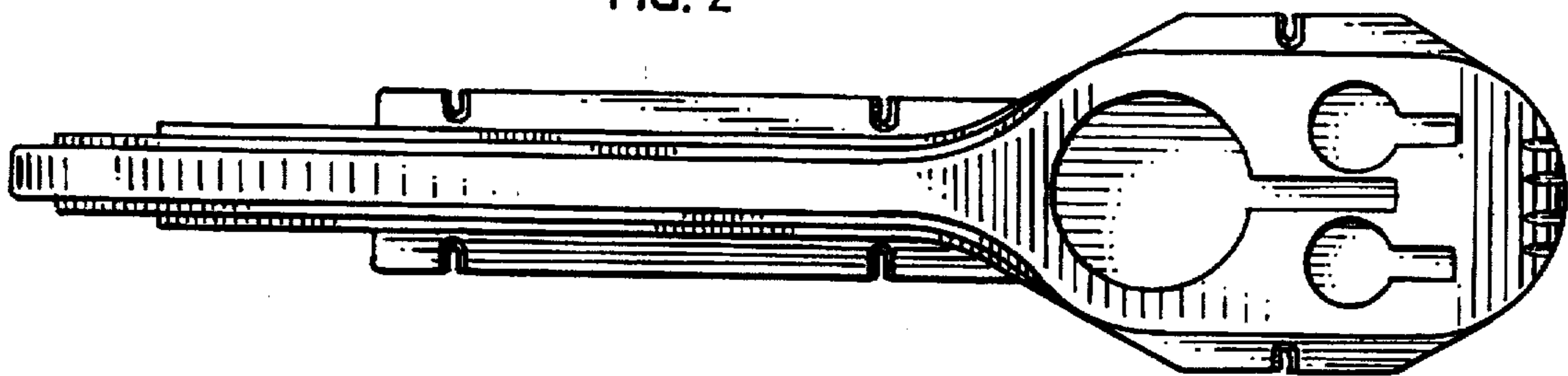


FIG. 2



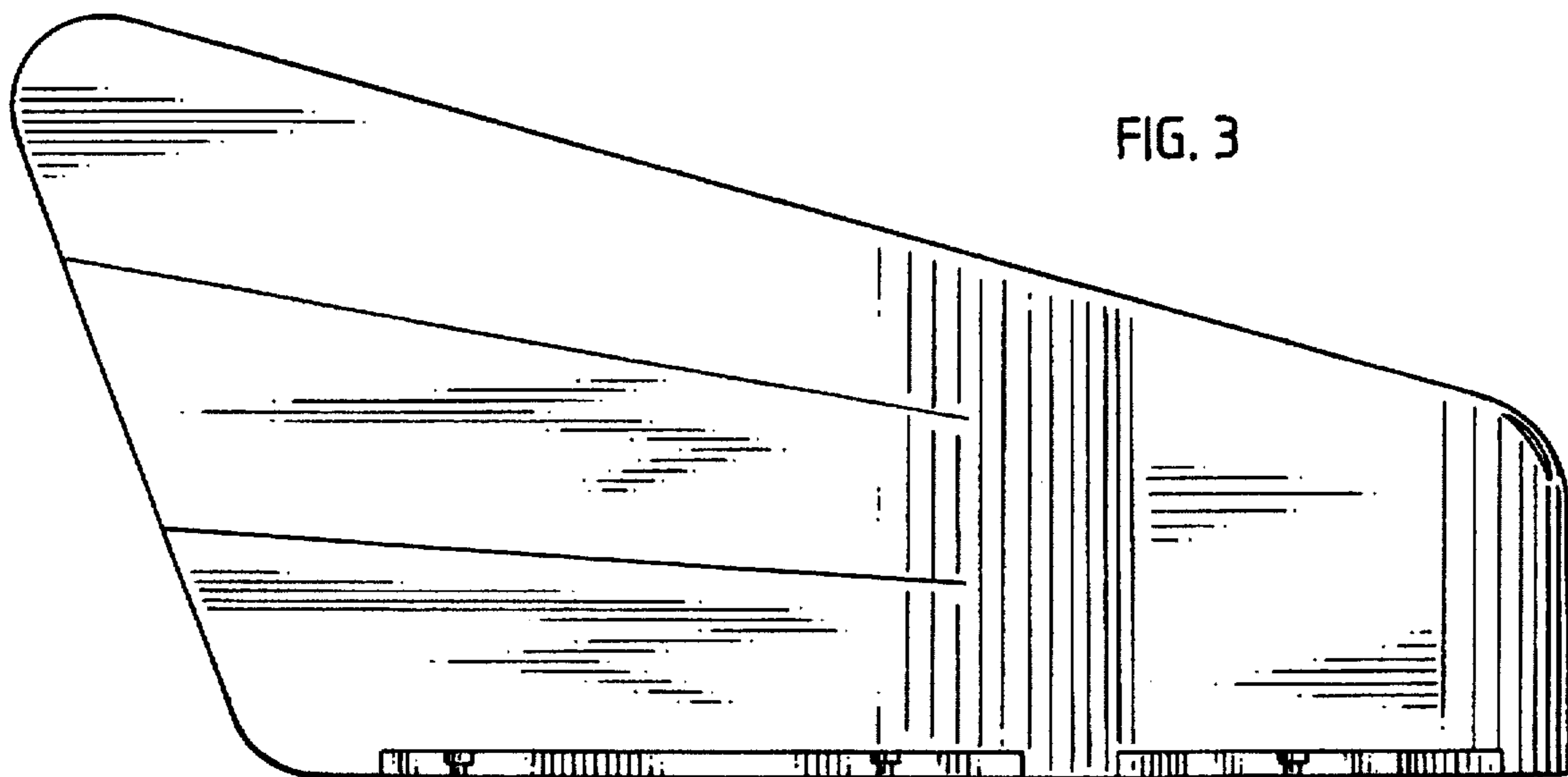


FIG. 3

FIG. 4

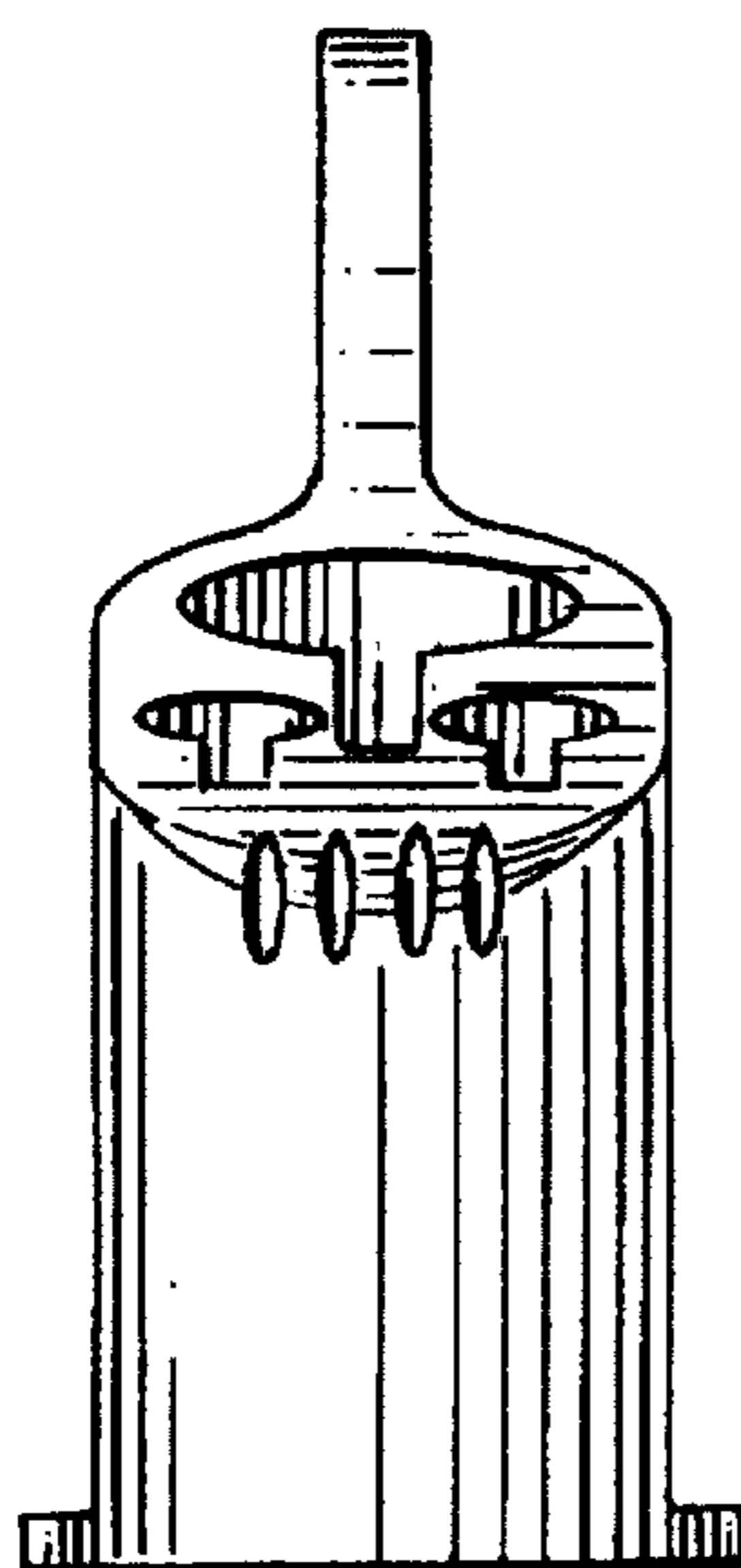


FIG. 5

