



US00D385935S

United States Patent [19]

[11] Patent Number: **Des. 385,935**

Cameron

[45] Date of Patent: ****Nov. 4, 1997**

[54] **PORTION OF A STRIKE FACE FOR A GOLF CLUB HEAD**

5,301,941	4/1994	Allen .
5,346,213	9/1994	Yamada .
5,398,929	3/1995	Kitaichi .
5,407,202	4/1995	Igarashi .
5,425,535	6/1995	Ge .

[75] Inventor: **Don T. Cameron, Carlsbad, Calif.**

[73] Assignee: **Acushnet Company, Fairhaven, Mass.**

[**] Term: **14 Years**

[21] Appl. No.: **59,307**

[22] Filed: **Sep. 6, 1996**

[51] LOC (6) Cl. **21-02**

[52] U.S. Cl. **D21/221; D21/217**

[58] Field of Search **D21/217, 219, D21/221; 473/340, 341, 334, 335**

[56] **References Cited**

U.S. PATENT DOCUMENTS

- D. 271,317 11/1983 Bretl .
- D. 351,443 10/1994 Caugh et al. .
- D. 368,126 3/1996 Magerman et al. D21/219
- D. 373,161 8/1996 Schmidt et al. .
- 572,436 12/1896 Mills .
- 873,423 12/1907 Govan .
- 922,444 5/1909 Youds .
- 2,429,351 10/1947 Fetterolf .
- 3,134,596 5/1964 Boznos .
- 3,218,072 11/1965 Burr .
- 3,695,618 10/1972 Woolley et al. .
- 3,975,023 8/1976 Inamori .
- 3,989,248 11/1976 Campau .
- 4,156,526 5/1979 Huggins et al. .
- 4,199,144 4/1980 Skelly .
- 4,422,638 12/1983 Tucker .
- 4,679,792 7/1987 Straza et al. .
- 4,681,322 7/1987 Straza et al. .
- 4,730,830 3/1988 Tilley .
- 4,792,140 12/1988 Yamaguchi et al. .
- 4,930,781 6/1990 Allen .
- 5,060,951 10/1991 Allen .
- 5,078,397 1/1992 Aizawa .
- 5,083,778 1/1992 Douglass .

OTHER PUBLICATIONS

Golf Equipment Universal Catalogue, 1995, Grass Hunter golf clubs, p. 448.
 Golf Digest; vol. 13, #12; p. 85; "Black Magic" putter Dec. 1962.
 Ray Cook Inc. brochure; putters B8, B11, XF15S, M1N, M1 and XF15 1965.
 John Lampert's golf Ent.; putter on middle left of page date unknown.

Primary Examiner—Raphael Barkai
Assistant Examiner—Mitchell I. Siegel
Attorney, Agent, or Firm—Pennie & Edmonds LLP

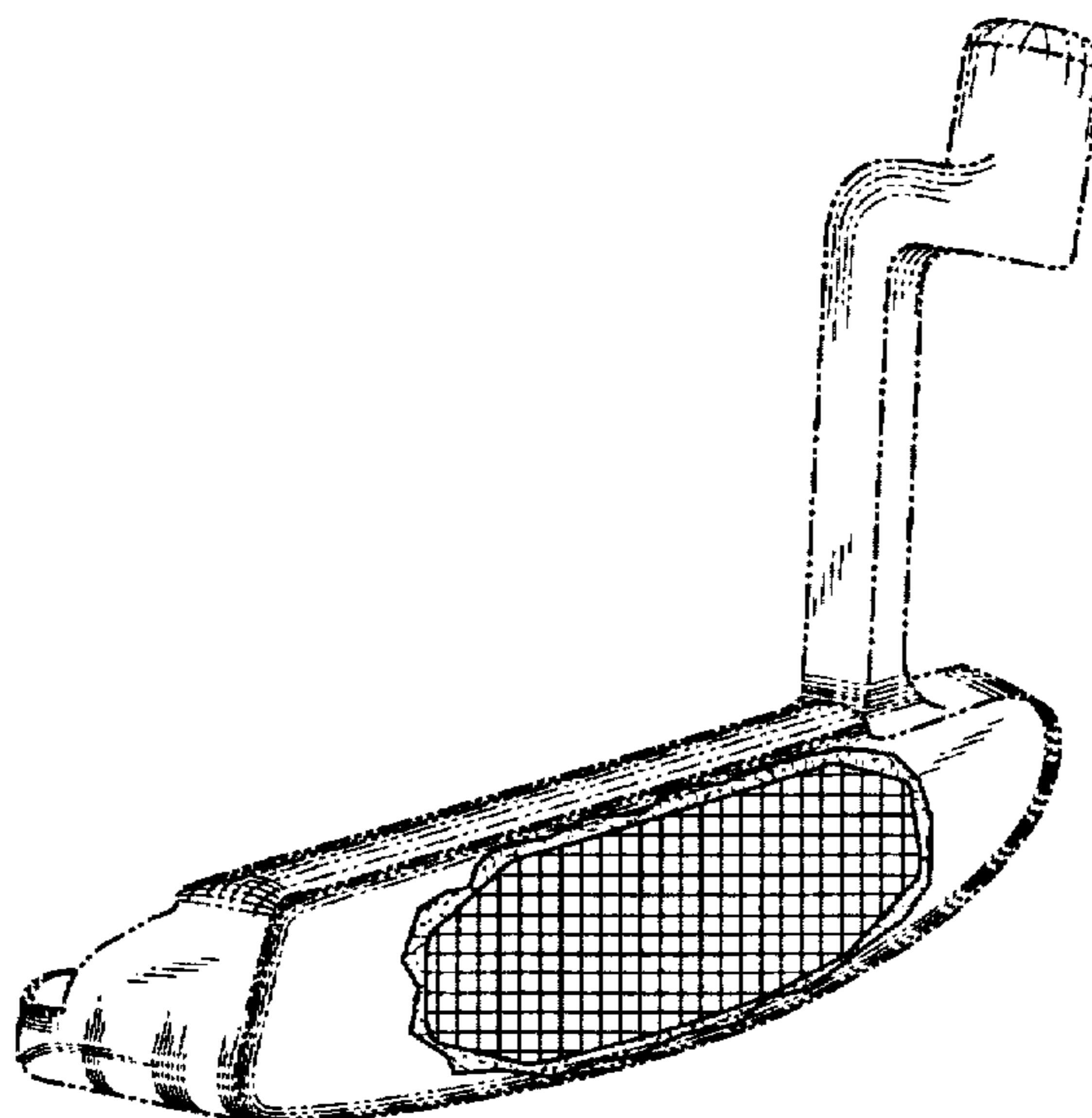
[57] **CLAIM**

The ornamental design for a portion of a strike face for a golf club head, as shown and described.

DESCRIPTION

FIG. 1 is a front perspective view of the first embodiment of the portion of strike face for a golf club head of the present invention;
 FIG. 2 is a front elevational view thereof;
 FIG. 3 is a top elevational view thereof;
 FIG. 4 is a front perspective view of a second embodiment of the portion of a strike face for a golf club head of the present invention;
 FIG. 5 is a front elevational view of the second embodiment; and,
 FIG. 6 is a top elevational view of the second embodiment. The stipple shading of FIGS. 4-6 indicate the color black. The broken line showing of a golf club head is for illustrative purposes only and forms no part of the claimed design.

1 Claim, 6 Drawing Sheets



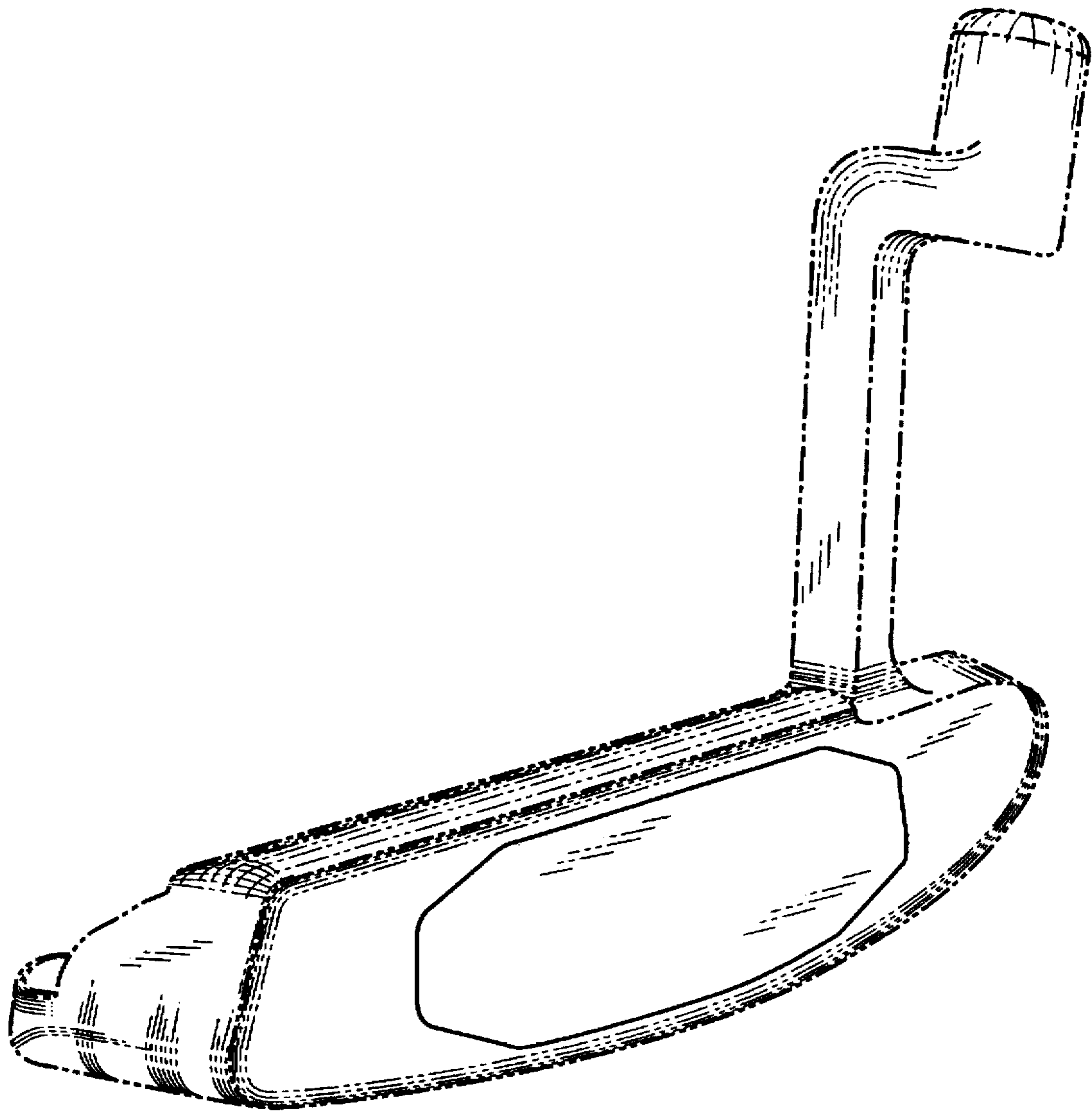


FIG. 1

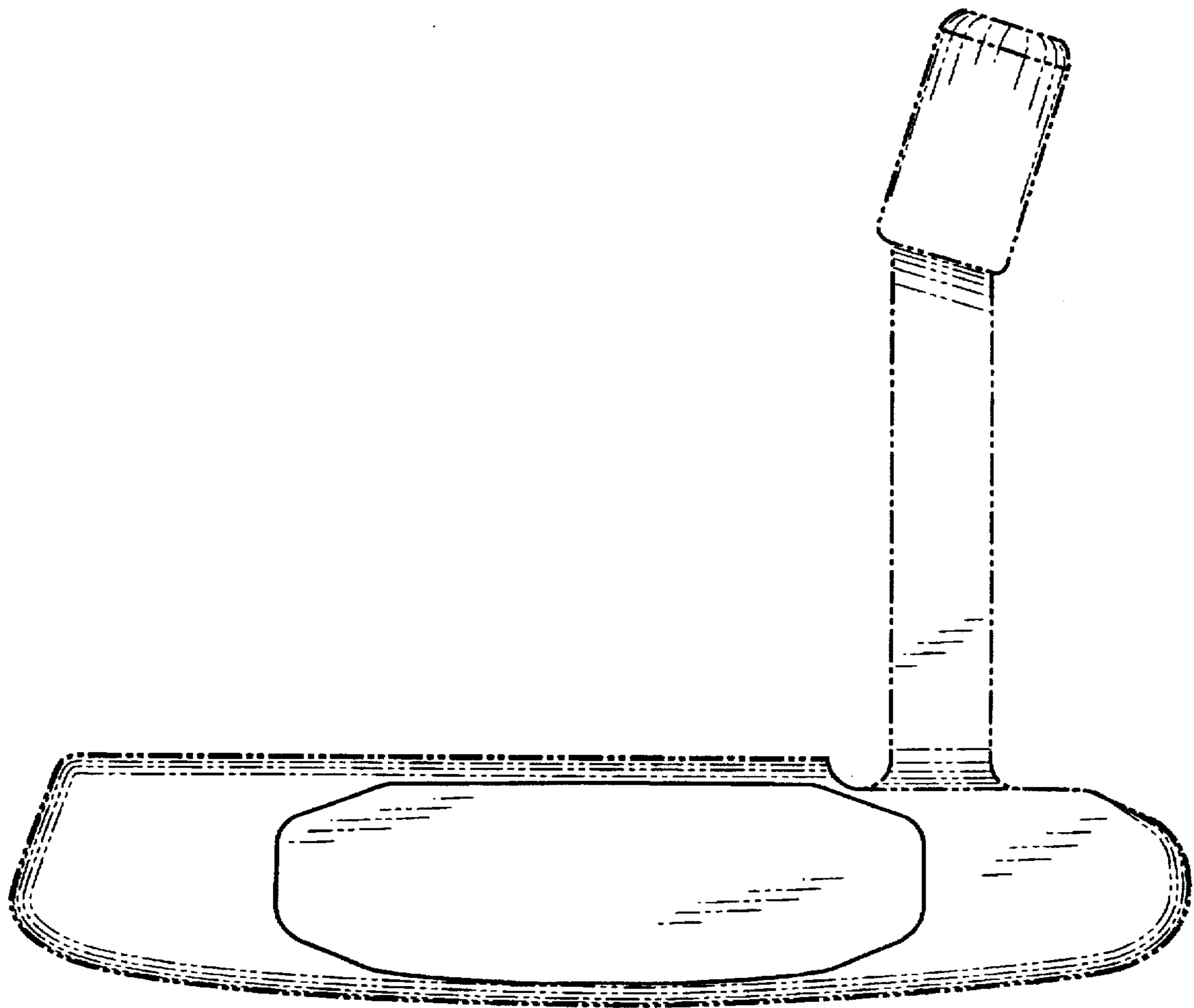


FIG. 2

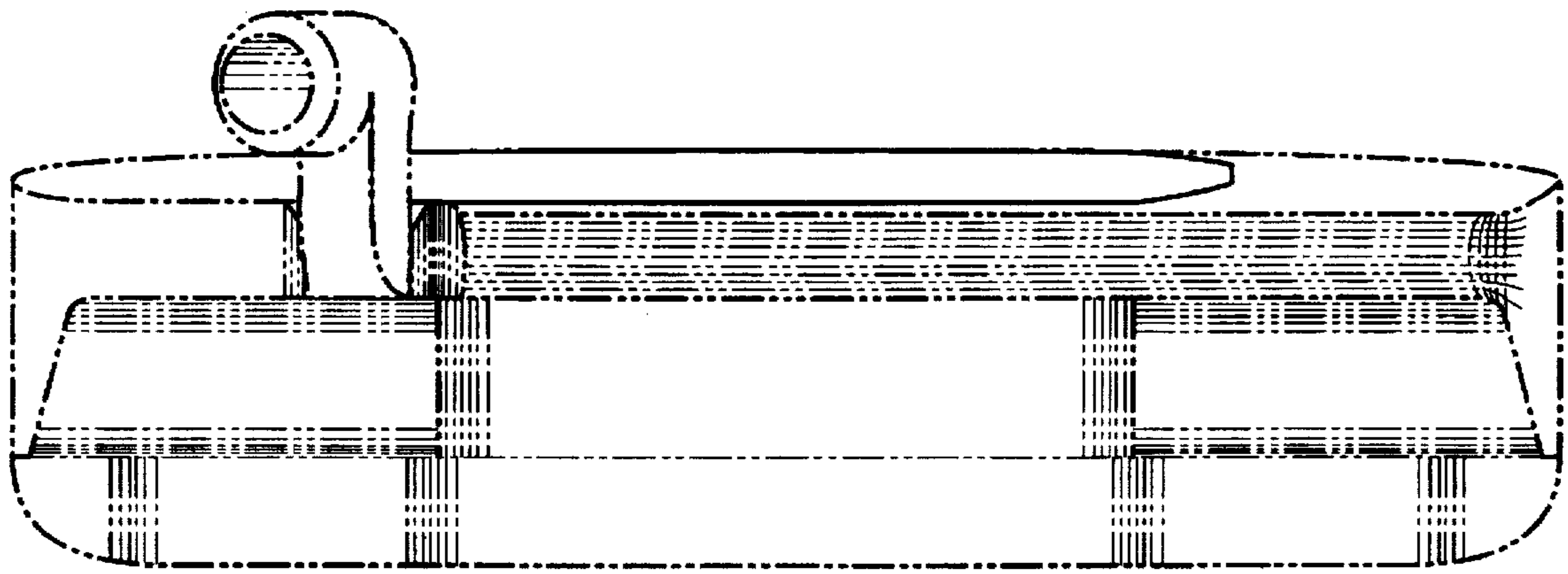


FIG. 3

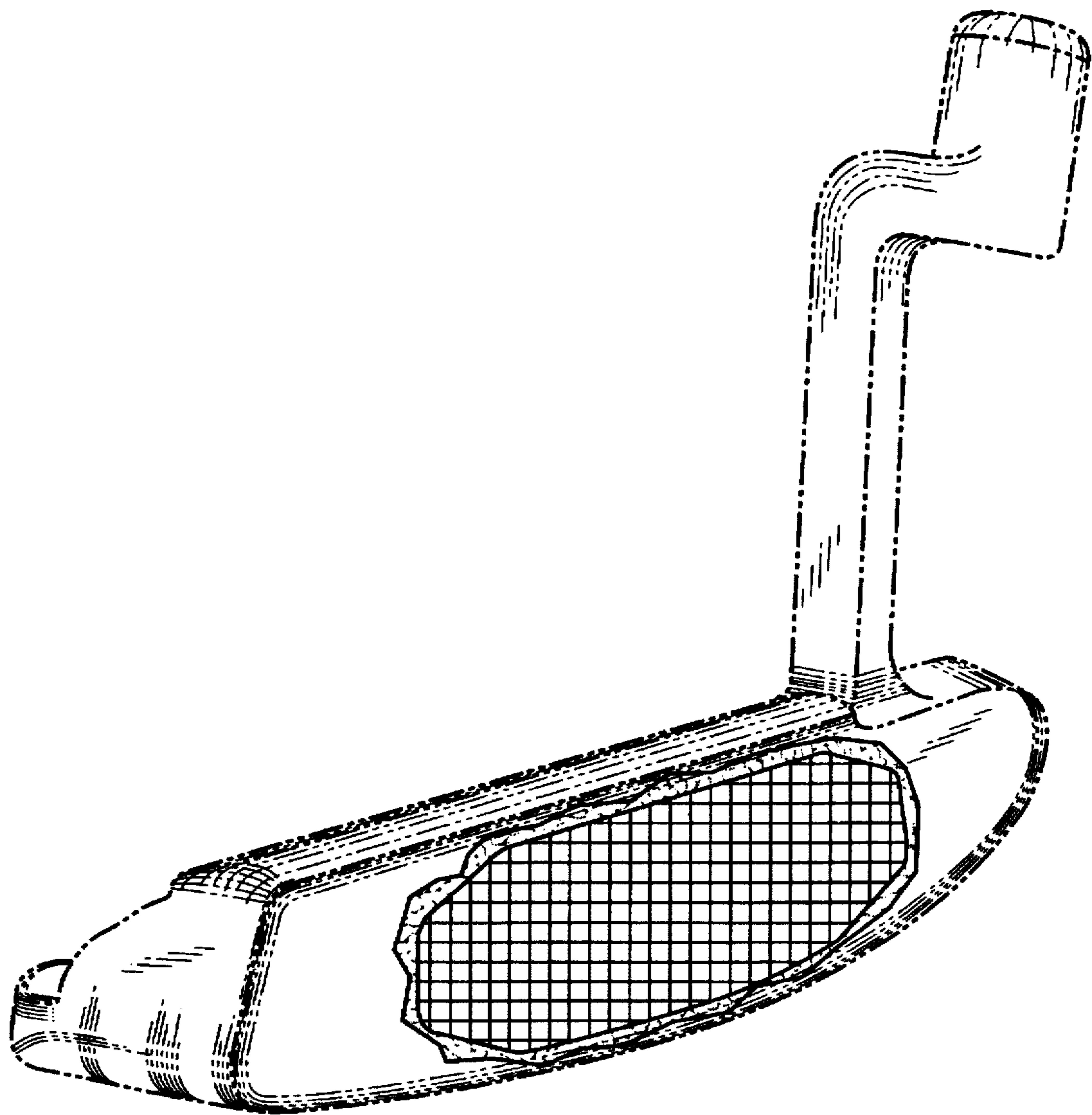


FIG. 4

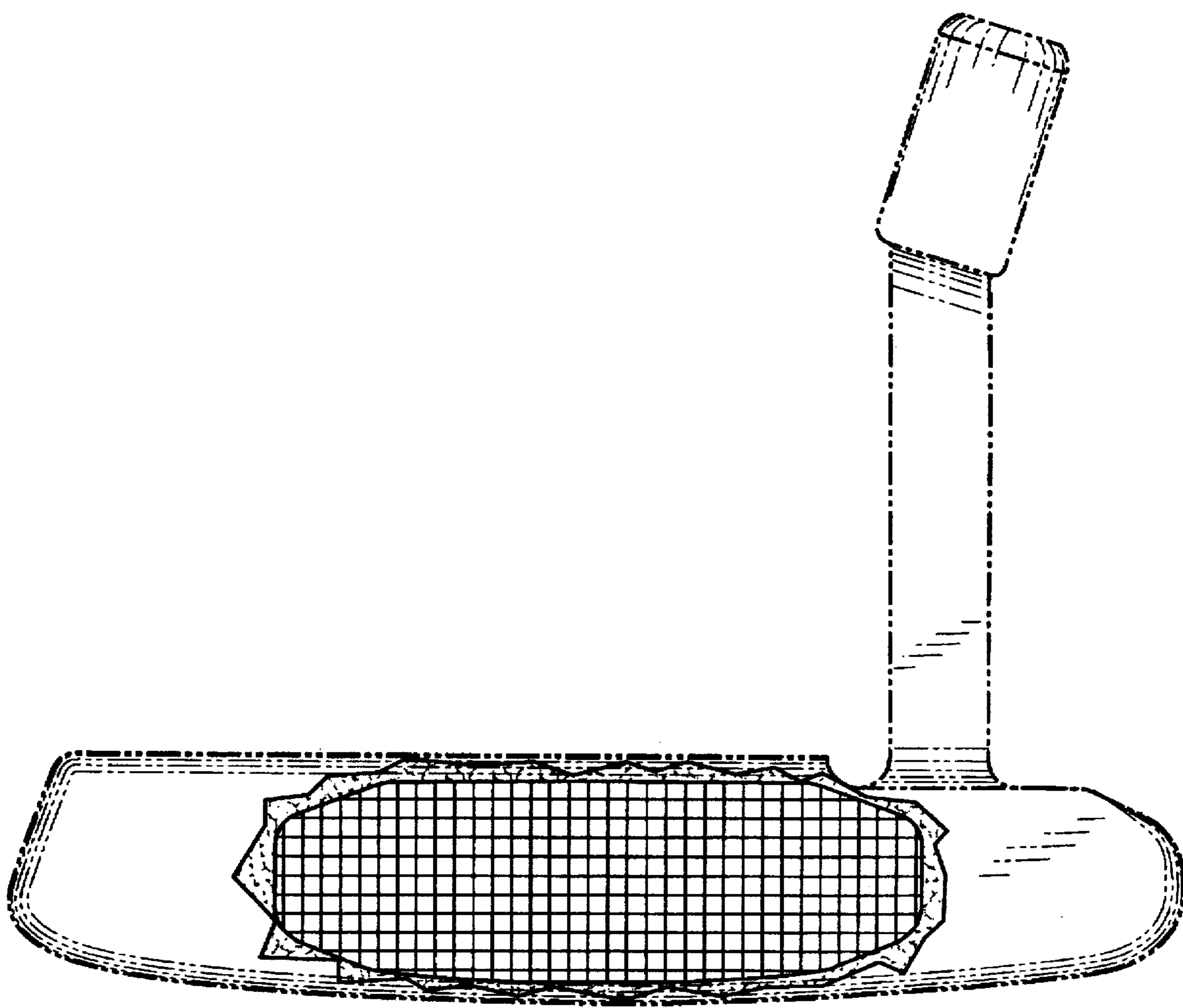


FIG. 5

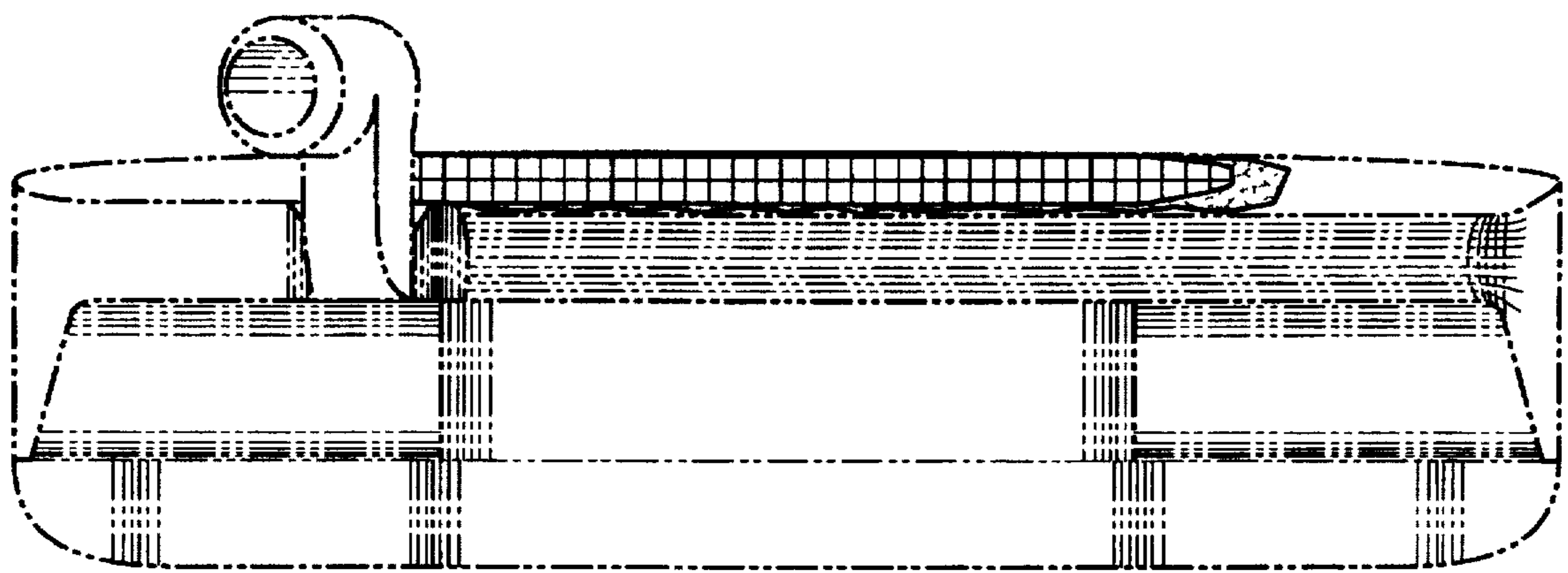


FIG. 6

UNITED STATES PATENT AND TRADEMARK OFFICE
CERTIFICATE OF CORRECTION

PATENT NO. : DES. 385,935
DATED : November 4, 1997
INVENTOR : Don T. Cameron

It is certified that error appears in the above-identified patent and that said Letters Patent is hereby corrected as shown below:

TITLE PAGE: Col. 2,

line 12, after "black" insert --and the cross-hatching on the striking surface insert indicates the color copper--.

Signed and Sealed this
Twenty-sixth Day of May, 1998



BRUCE LEHMAN

Commissioner of Patents and Trademarks

Attest:

Attesting Officer