



US00D385932S

United States Patent [19]

Barton

[11] Patent Number: **Des. 385,932**

[45] Date of Patent: ****Nov. 4, 1997**

[54] **COMBINED INFLATABLE BALL AND BAT TOY**

[75] Inventor: **Leslie W. Barton**, Carrollton, Tex.

[73] Assignee: **Classic Balloon Corp.**, Carrollton, Tex.

[**] Term: **14 Years**

[21] Appl. No.: **38,601**

[22] Filed: **May 9, 1995**

[51] LOC (6) Cl. **21-02**

[52] U.S. Cl. **D21/204**

[58] Field of Search **D21/204, 203, D21/211, 213, 62, 84; 273/58 R, 58 B, 58 C, 67 R, 329, 319, 72 R, 26 B; 446/220**

[56] **References Cited**

U.S. PATENT DOCUMENTS

- D. 200,719 3/1965 Caporale D21/62
- D. 290,729 7/1987 Einhorn D21/211

- D. 347,031 5/1994 Axtell D21/84
- 1,549,790 8/1925 Neusella D21/84 X
- 1,886,130 11/1932 Smith D21/62 X
- 4,917,382 4/1990 Hendershott 446/220 X
- 5,102,365 4/1992 Wang 273/58 B X
- 5,108,338 4/1992 Margolis 446/220

Primary Examiner—Prabhakar G. Deshmukh
Attorney, Agent, or Firm—L. Dan Tucker

[57] **CLAIM**

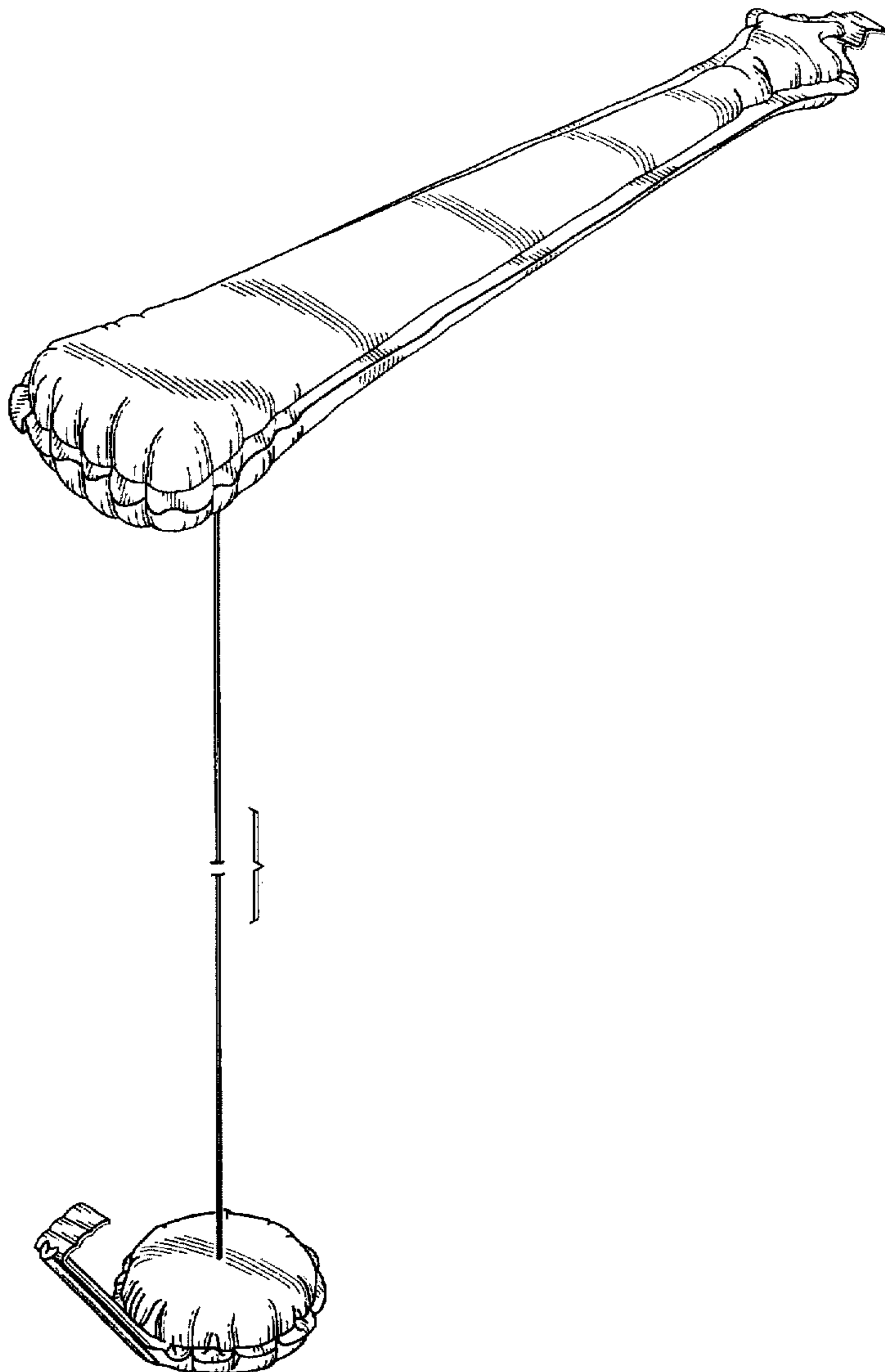
The ornamental design for an combined inflatable ball and bat toy, as shown and described.

DESCRIPTION

FIG. 1 is a perspective view of an combined inflatable ball and bat toy showing my new design viewed from above; and,

FIG. 2 is a perspective view thereof, viewed from below. It is understood that the length of the attachment of the inflatable ball with the bat toy is indefinite.

1 Claim, 2 Drawing Sheets



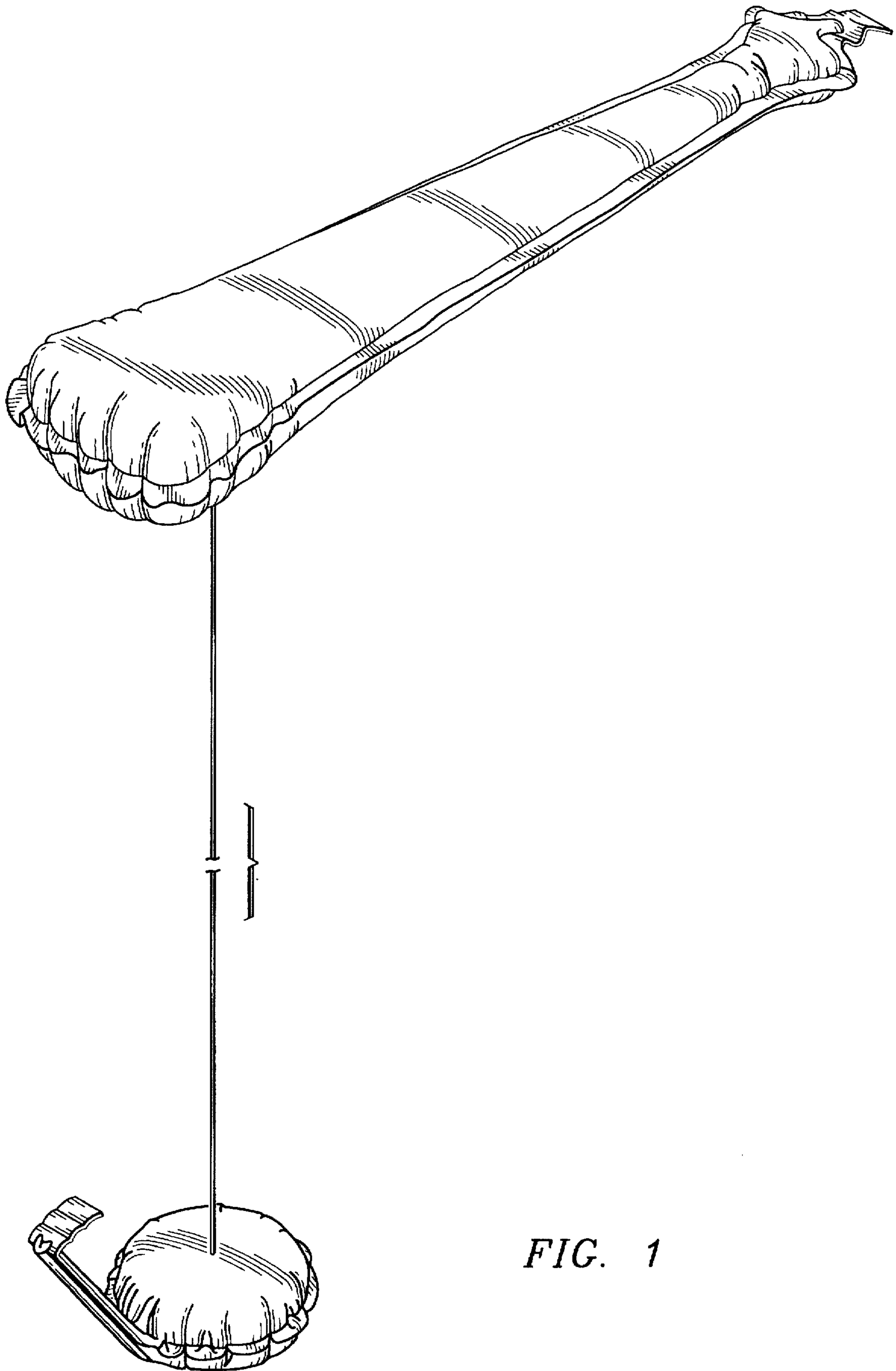


FIG. 1

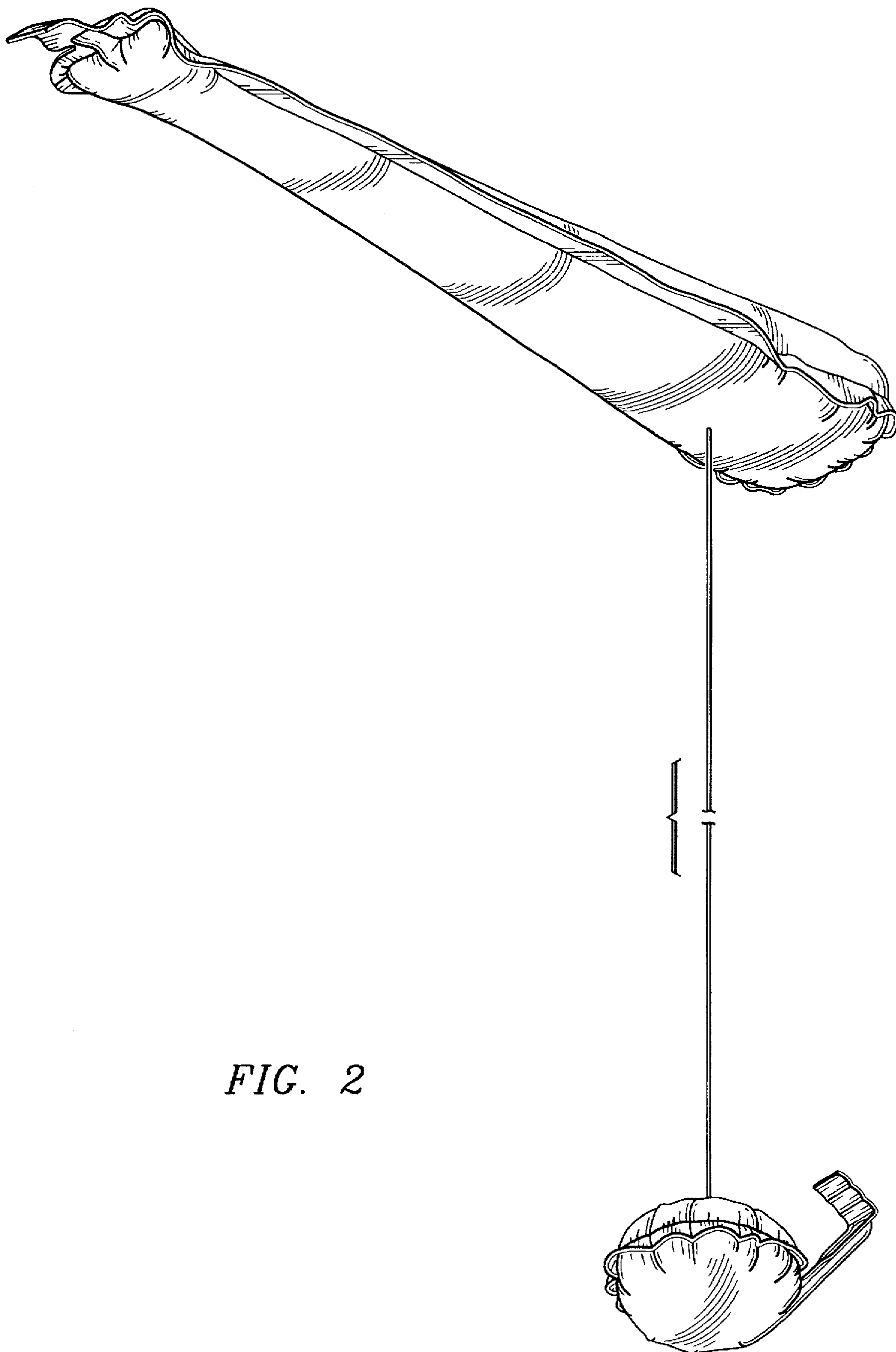


FIG. 2