



US00D385930S

United States Patent [19]
Chen

[11] **Patent Number:** **Des. 385,930**
[45] **Date of Patent:** ****Nov. 4, 1997**

[54] **EXERCISER**

5,577,987 11/1996 Brown 482/140
5,591,111 1/1997 Wang et al. 482/140

[76] **Inventor:** **Chih-Liang Chen**, No. 10, Lane 1431,
Kuanghsing Rd., Patch City, Taoyuan
Hsien, Taiwan

OTHER PUBLICATIONS

Service Merchandise Catalog, p. 528, AB Roller 1996.

[**] **Term:** **14 Years**

Primary Examiner—Philip S. Hyder
Attorney, Agent, or Firm—Martin Korn

[21] **Appl. No.:** **60,759**

[57] **CLAIM**

[22] **Filed:** **Oct. 7, 1996**

The ornamental design for an exerciser, as shown and described.

[51] **LOC (6) Cl.** **21-02**

DESCRIPTION

[52] **U.S. Cl.** **D21/191**

FIG. 1 is a front, right and top perspective view of an exerciser showing my new design;

[58] **Field of Search** **D21/191, 195,**

D21/198; 482/140, 132, 142, 131, 133,
144

FIG. 2 is a front view thereof;

FIG. 3 is a rear view thereof;

FIG. 4 is a right side elevational view thereof, the left side being a mirrored image;

FIG. 5 is a top plan view thereof; and,

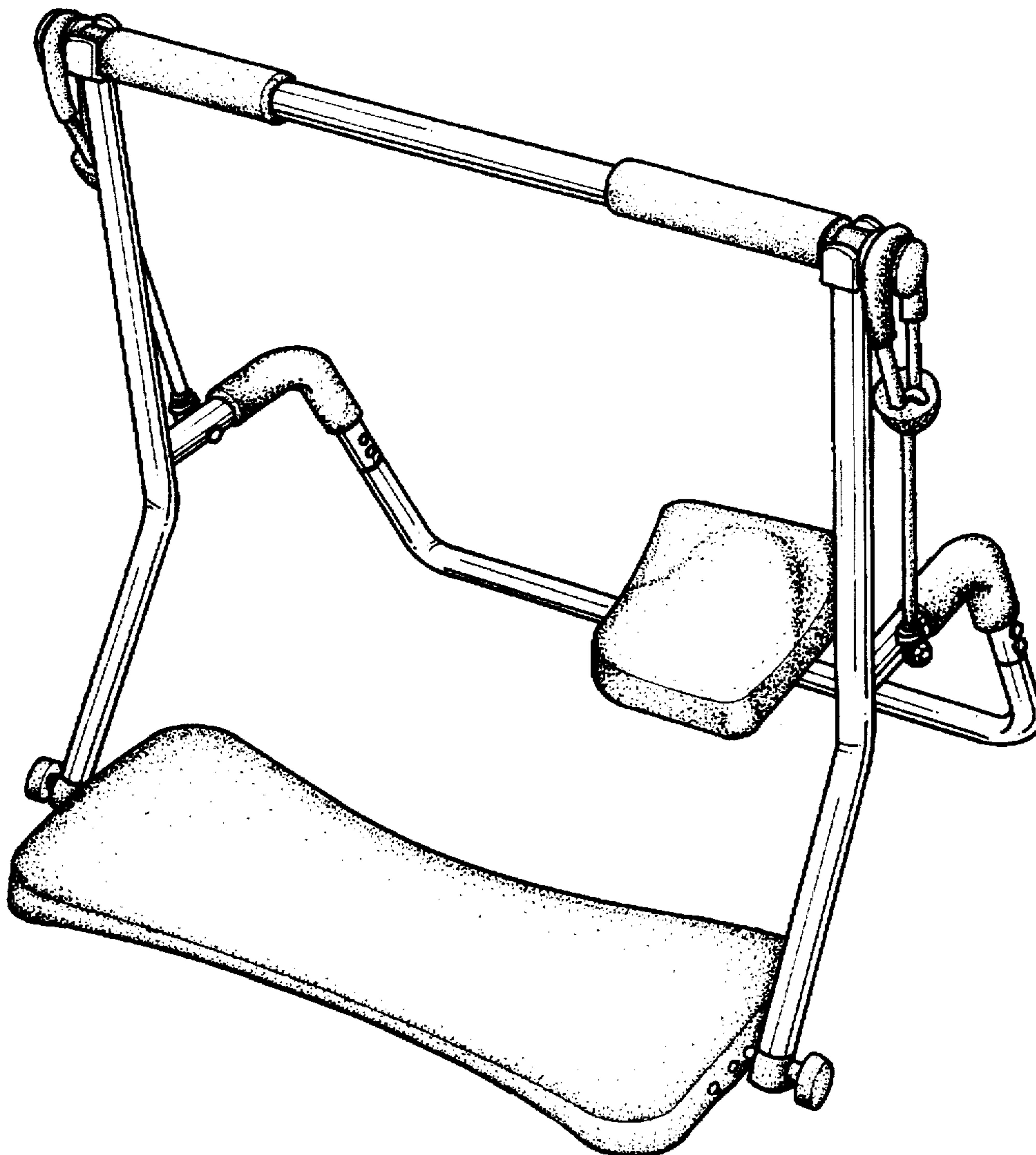
FIG. 6 is a bottom plan view thereof.

[56] **References Cited**

U.S. PATENT DOCUMENTS

5,492,520 2/1996 Brown 482/140

1 Claim, 4 Drawing Sheets



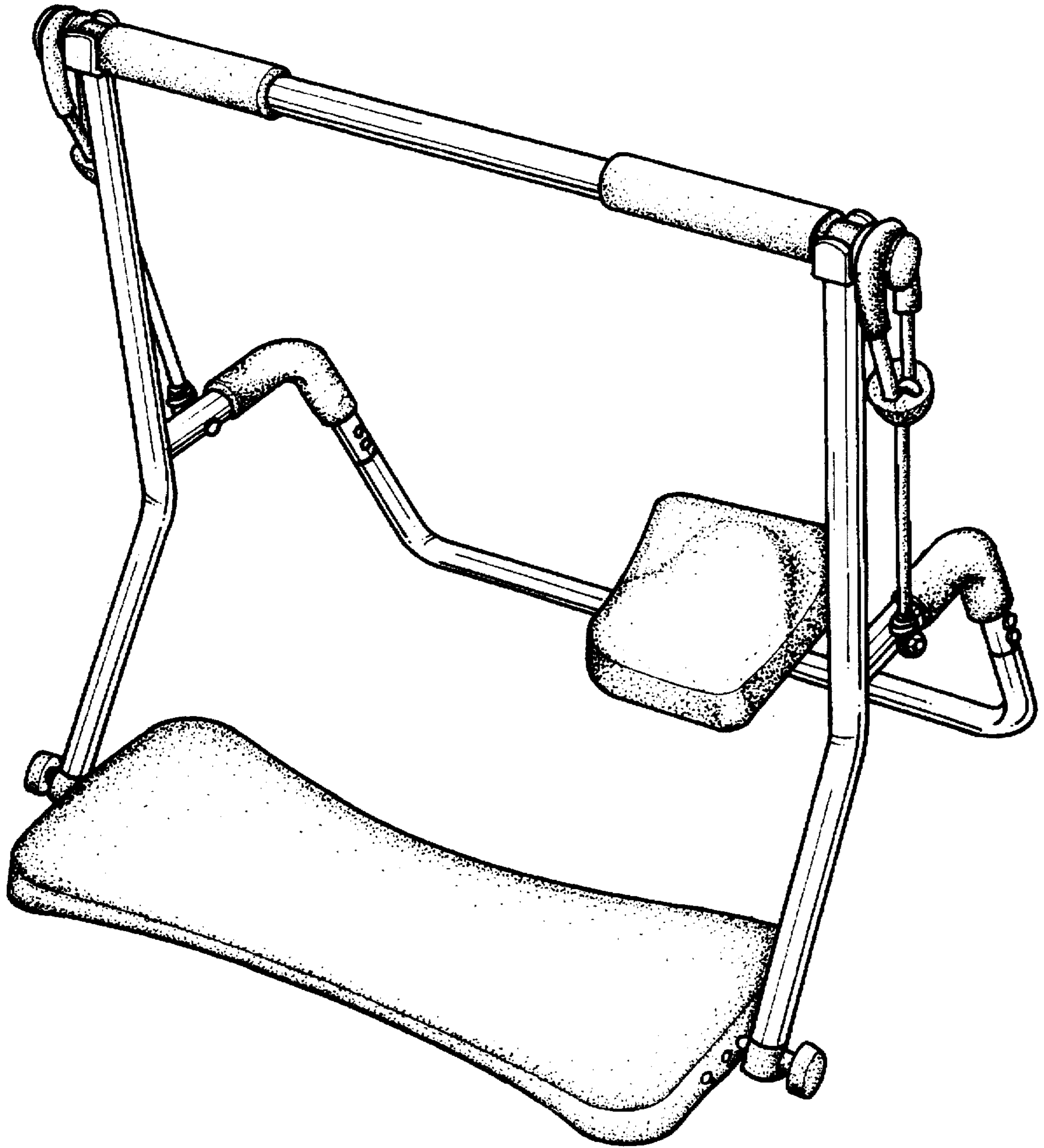


FIG. 1

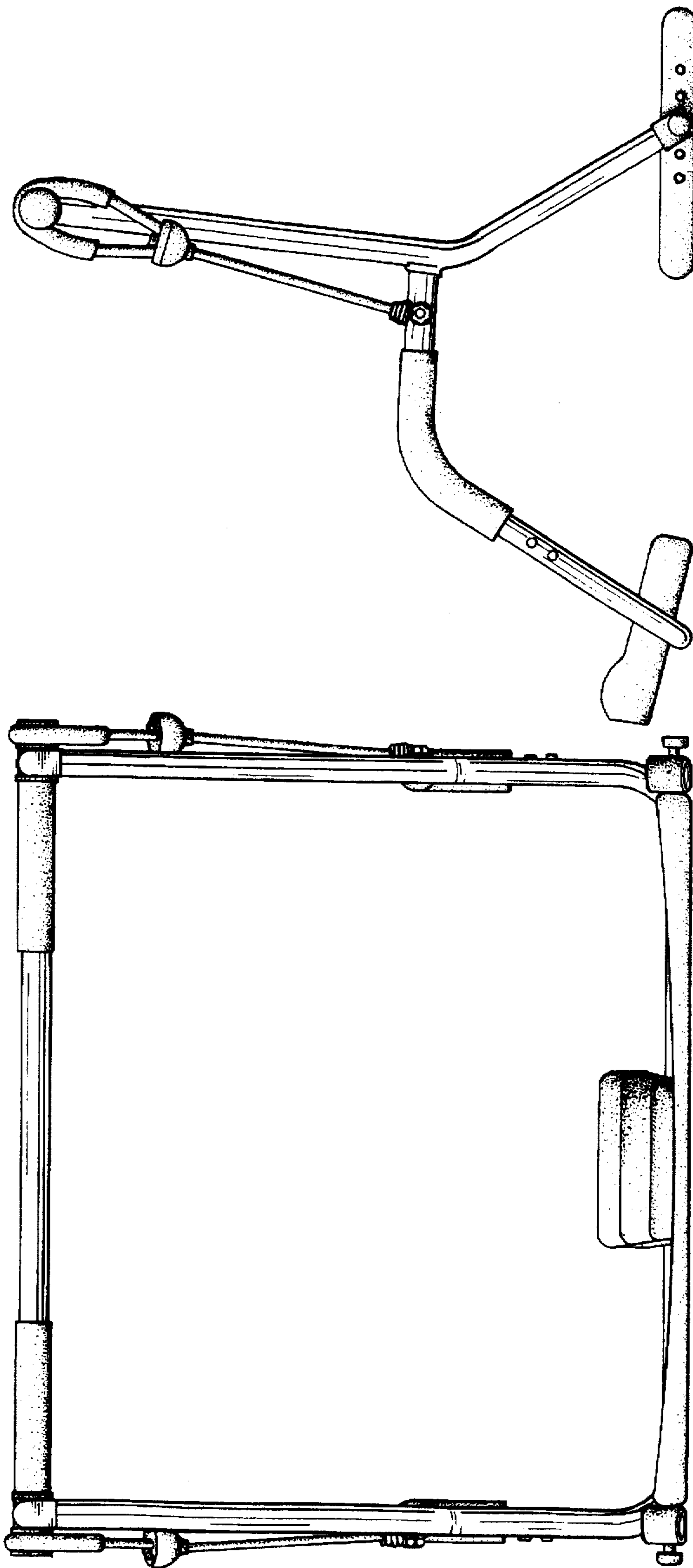


FIG. 2

FIG. 4

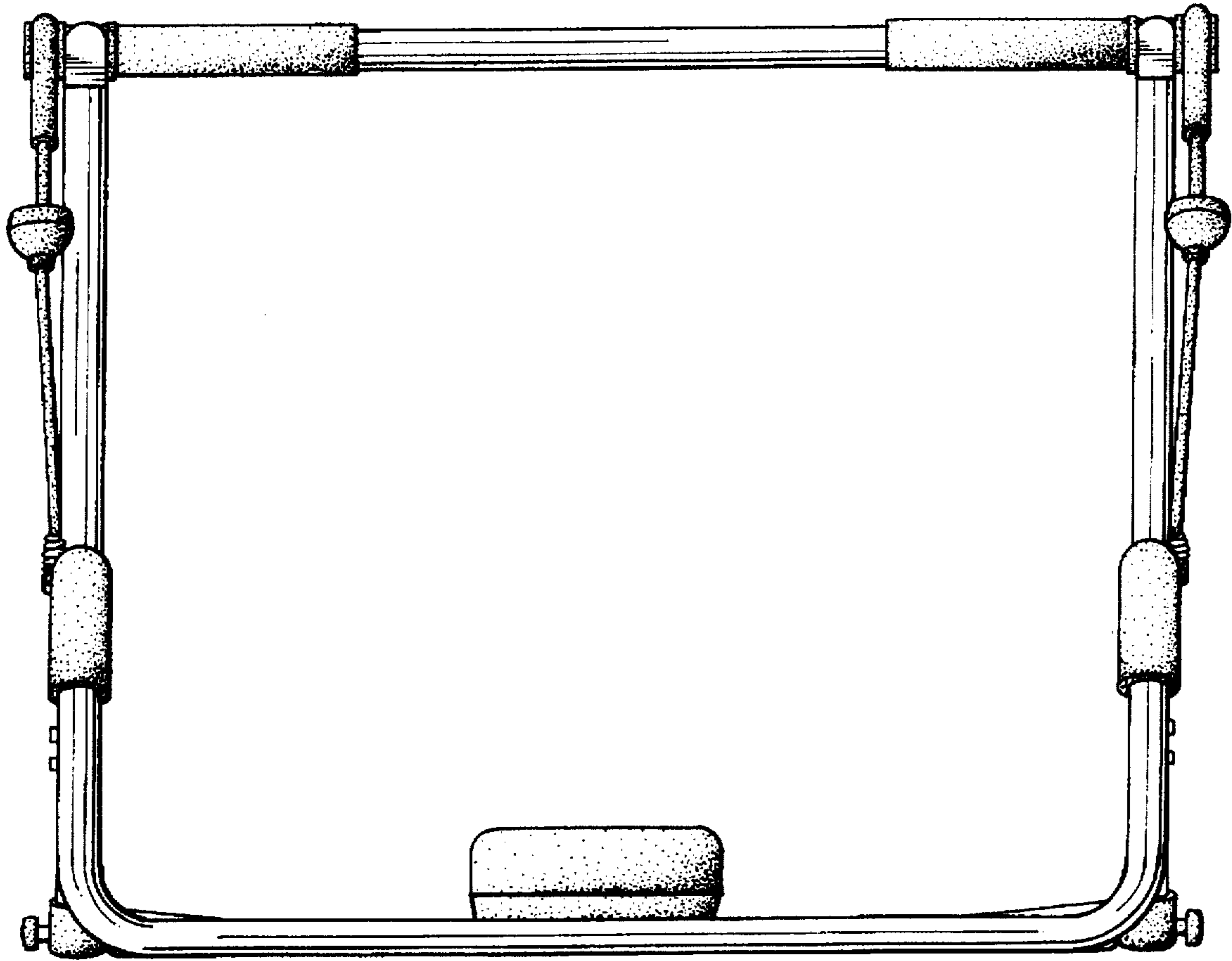


FIG. 3

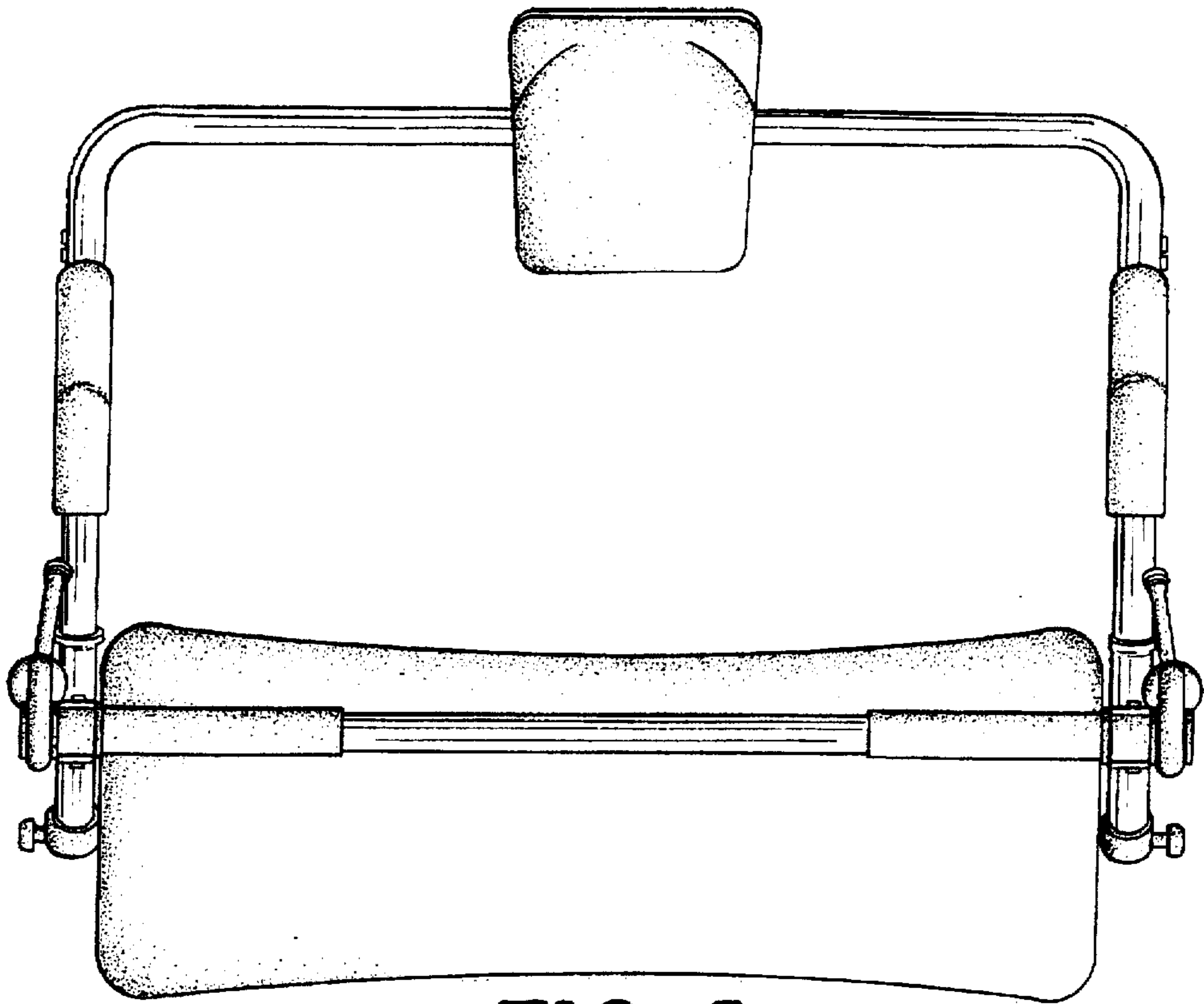


FIG. 5

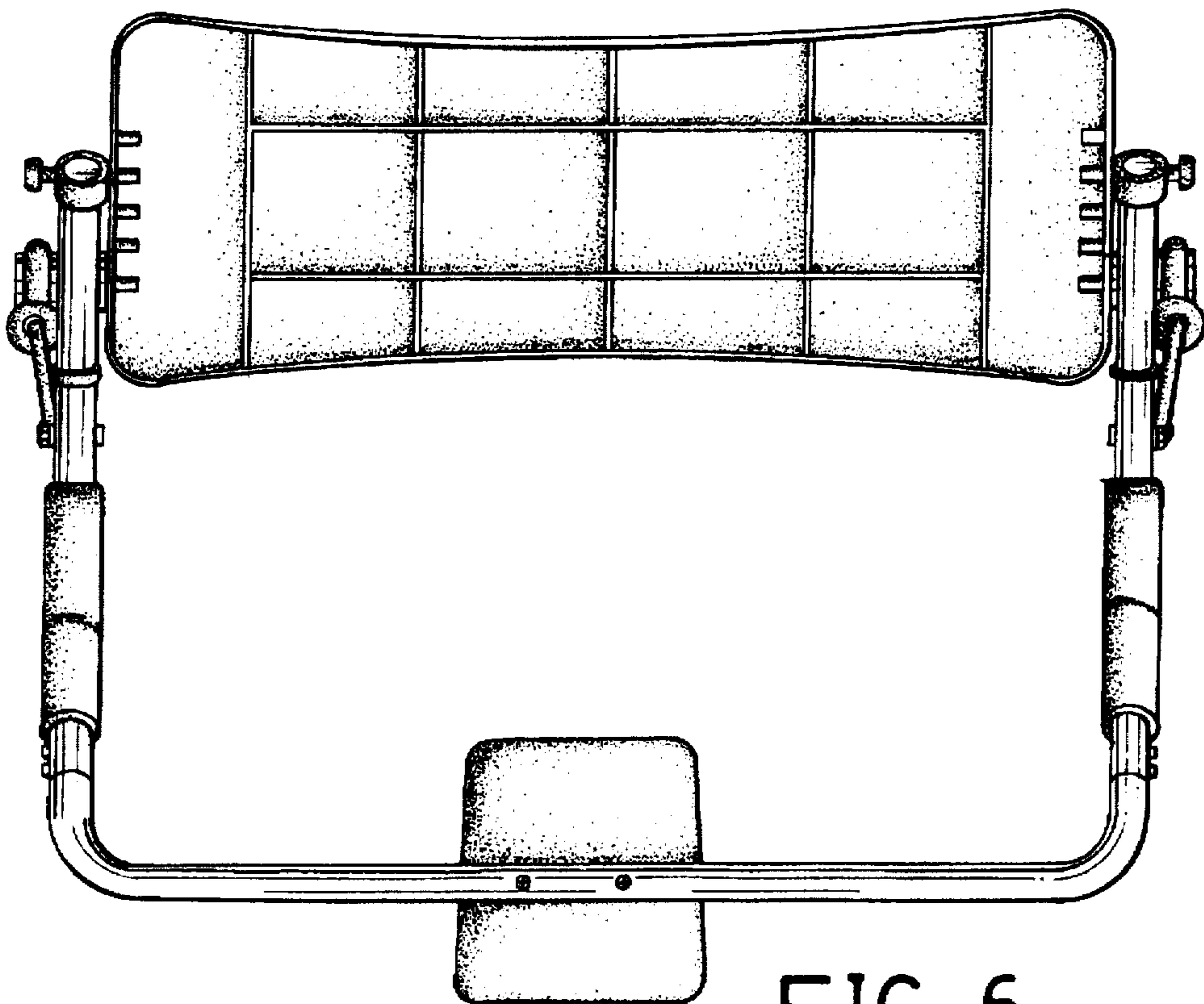


FIG. 6