



US00D385922S

United States Patent [19]

[11] Patent Number: **Des. 385,922**

Tisbo

[45] Date of Patent: ****Nov. 4, 1997**

[54] **FOLDER TRAY**

[75] Inventor: **Peter M. Tisbo, Barrington, Ill.**

[73] Assignee: **Custom Plastics, Inc., Elk Grove Village, Ill.**

[**] Term: **14 Years**

[21] Appl. No.: **61,422**

[22] Filed: **Oct. 23, 1996**

[51] LOC (6) Cl. **19-02**

[52] U.S. Cl. **D19/90; D19/75; D19/91; D19/92; D6/476**

[58] Field of Search **D19/65, 75, 78, D19/86, 90, 91, 95, 99, 100; 211/10, 11, 40-42, 45, 50, 55, 126, 184; D6/407, 467, 476, 571, 570**

[56] **References Cited**

U.S. PATENT DOCUMENTS

66,054 10/1867 Field 211/11

D. 262,172	12/1981	Richter	D6/476
D. 282,600	2/1986	Hallengren	D6/407 X
D. 295,932	5/1988	Cugley	D6/476
D. 321,535	11/1991	Carretta	D19/92
D. 335,976	6/1993	Brown	D6/467
D. 348,903	7/1994	Fischtein et al.	D19/90 X
2,982,423	2/1961	Handler et al.	211/126

Primary Examiner—Martie Thompson
Attorney, Agent, or Firm—McHale & Slavin, P.A.

[57] **CLAIM**

The ornamental design for an folder tray, as shown and described.

DESCRIPTION

FIG. 1 is a perspective view of the folder tray;
FIG. 2 is a top plan view thereof;
FIG. 3 is a front elevational view;
FIG. 4 is a side view thereof;
FIG. 5 is a bottom view; and,
FIG. 6 is a rear view.

1 Claim, 3 Drawing Sheets

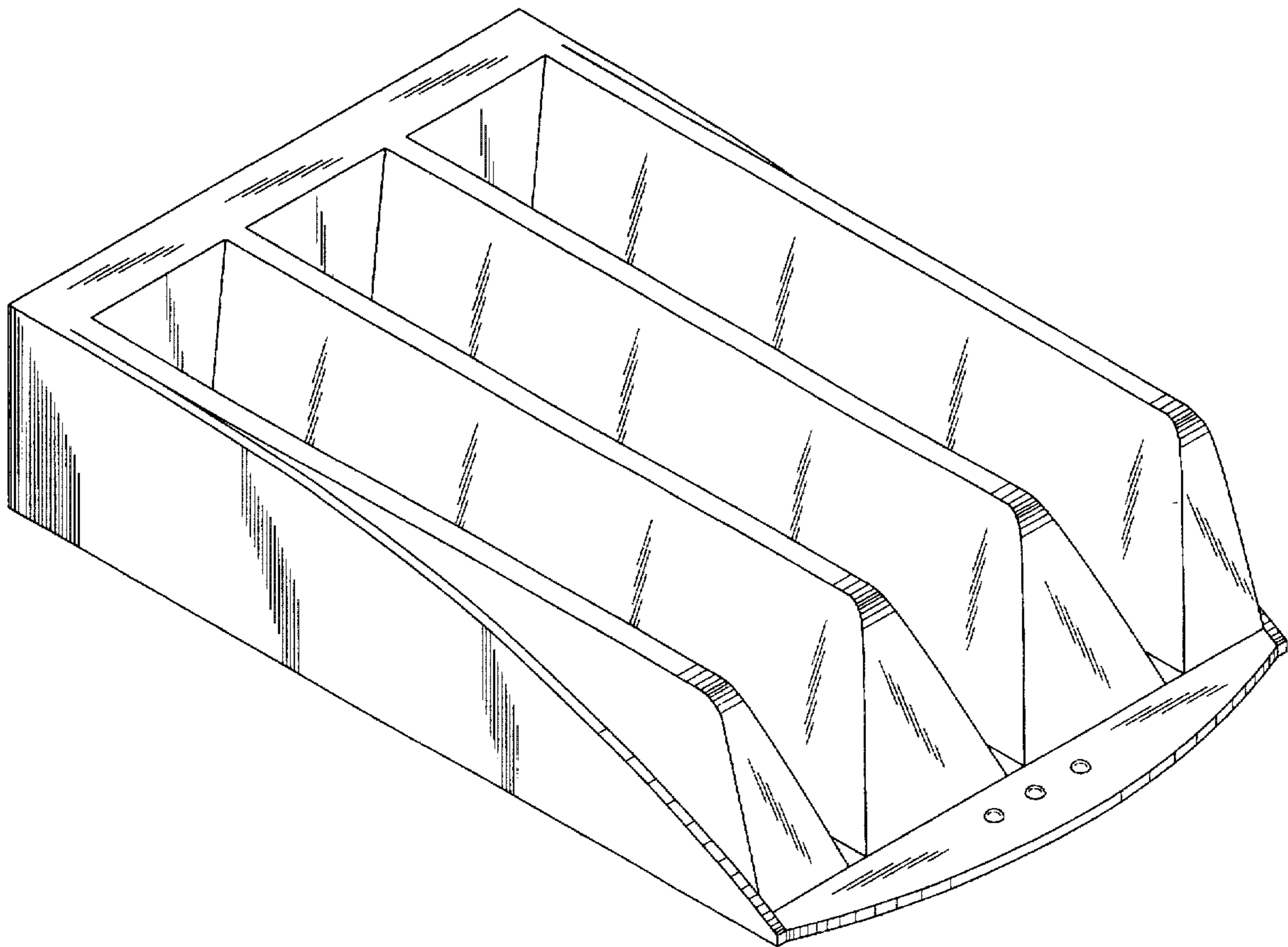


FIG. 1

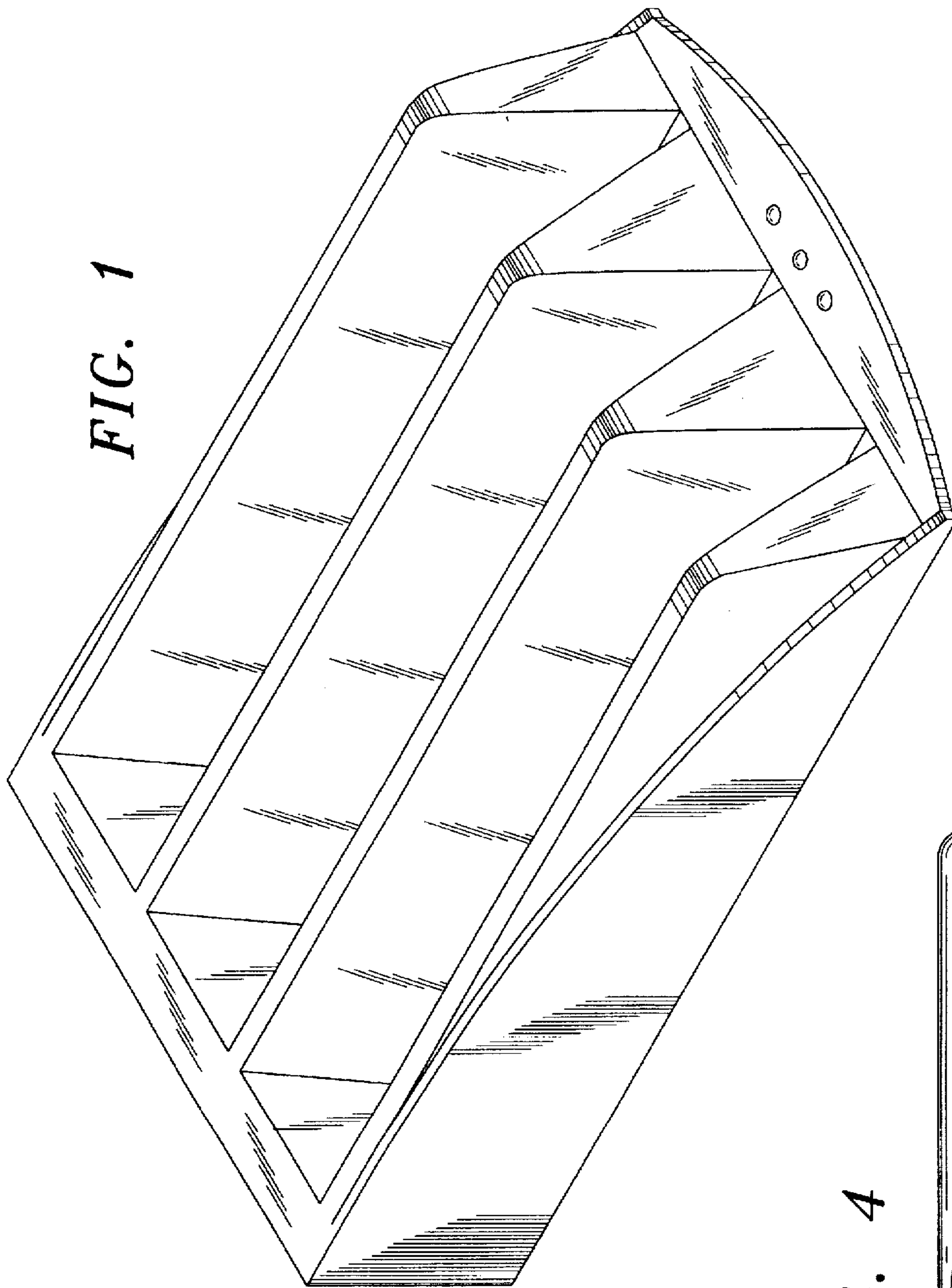


FIG. 4

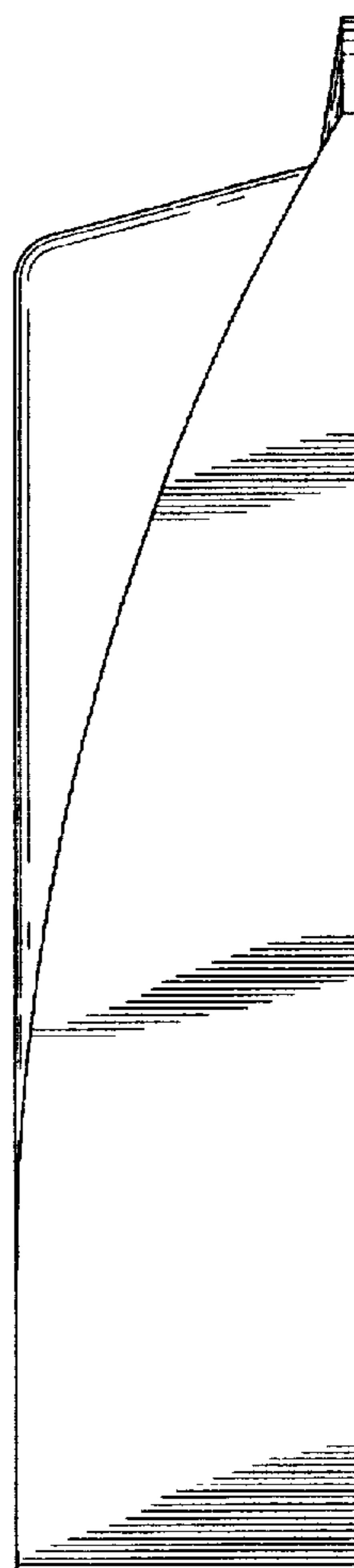


FIG. 2

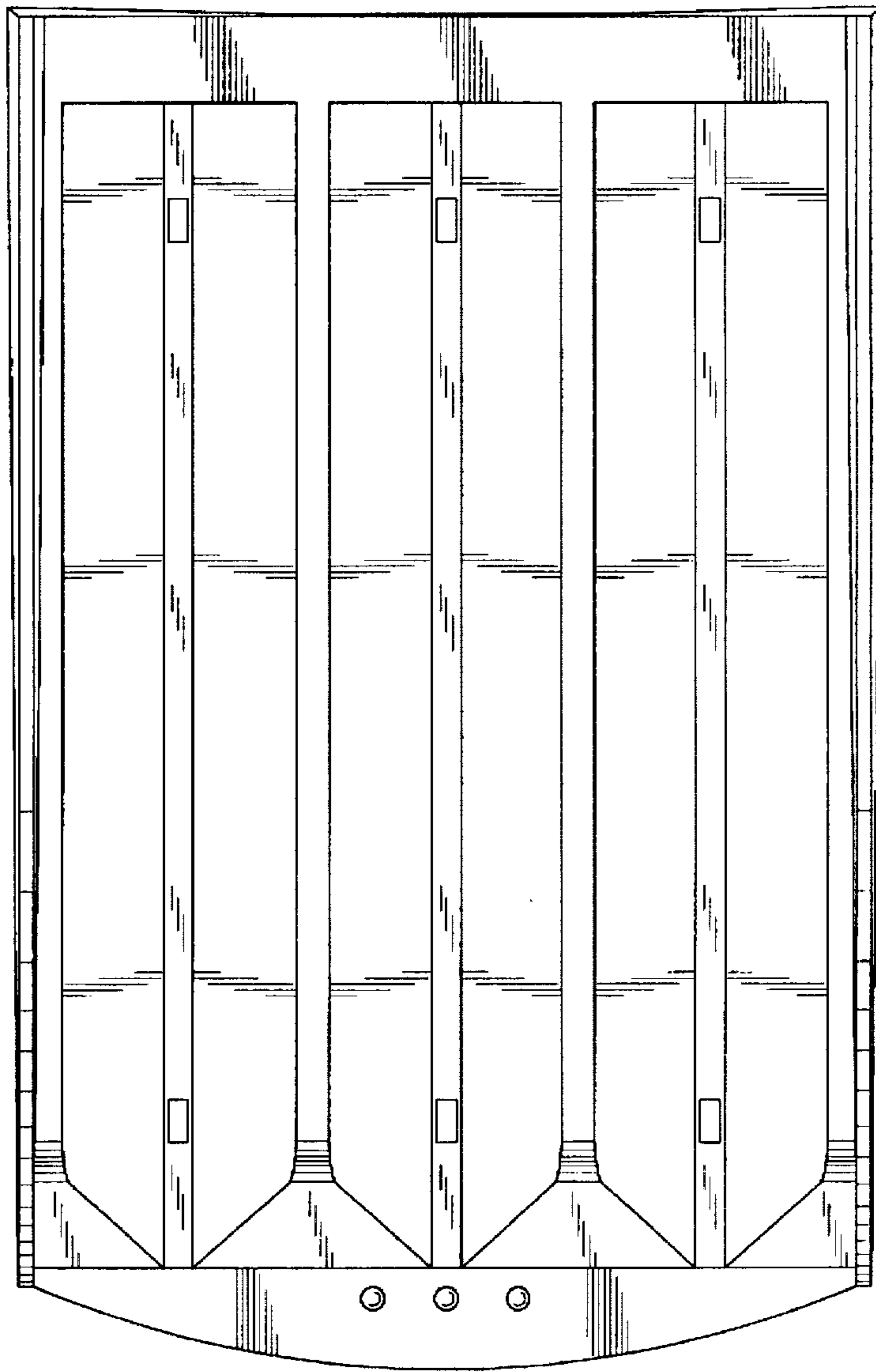


FIG. 3

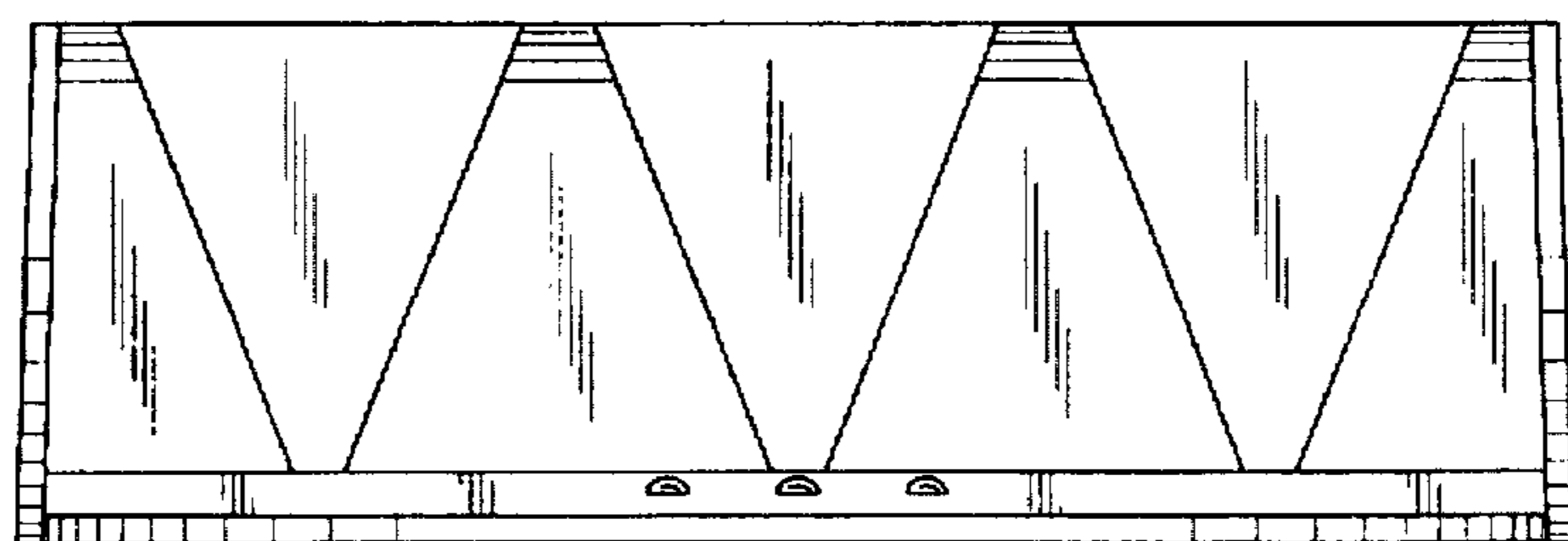


FIG. 5

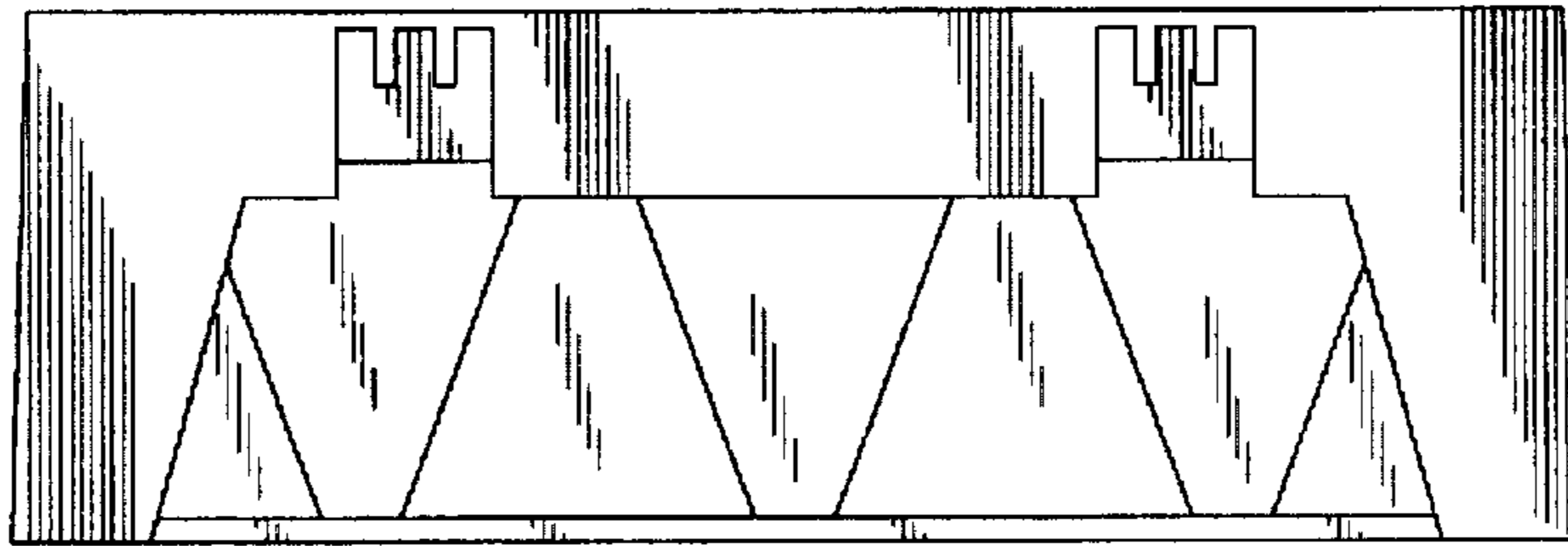


FIG. 6

