



US00D385921S

**United States Patent** [19]  
**Tisbo**

[11] **Patent Number:** **Des. 385,921**  
[45] **Date of Patent:** **\*\*Nov. 4, 1997**

[54] **BINDER TRAY**  
[75] **Inventor:** **Peter M. Tisbo, Barrington, Ill.**  
[73] **Assignee:** **Custom Plastics, Inc., Elk Grove Village, Ill.**  
[\*\*] **Term:** **14 Years**  
[21] **Appl. No.:** **61,421**  
[22] **Filed:** **Oct. 23, 1996**  
[51] **LOC (6) Cl.** ..... **19-02**  
[52] **U.S. Cl.** ..... **D19/90; D6/407; D6/475; D19/91**  
[58] **Field of Search** ..... **D6/407, 475; D19/34.1, D19/65, 75, 86, 90, 91, 95, 99, 100; 211/10, 11, 40, 43, 42, 44, 45, 50, 55; 206/425, 215**

D. 305,486 1/1990 Rabig ..... D6/475  
D. 314,215 1/1991 Hawes, Jr. et al. .... D19/90  
D. 324,239 2/1992 Halm ..... D19/90  
660,541 10/1900 Field ..... 211/11  
3,592,344 7/1971 Schade ..... 211/42  
4,909,398 3/1990 Santucci ..... 211/50

*Primary Examiner*—Martie Thompson  
*Attorney, Agent, or Firm*—McHale & Slavin, P.A.

[57] **CLAIM**

The ornamental design for an binder tray, as shown and described.

**DESCRIPTION**

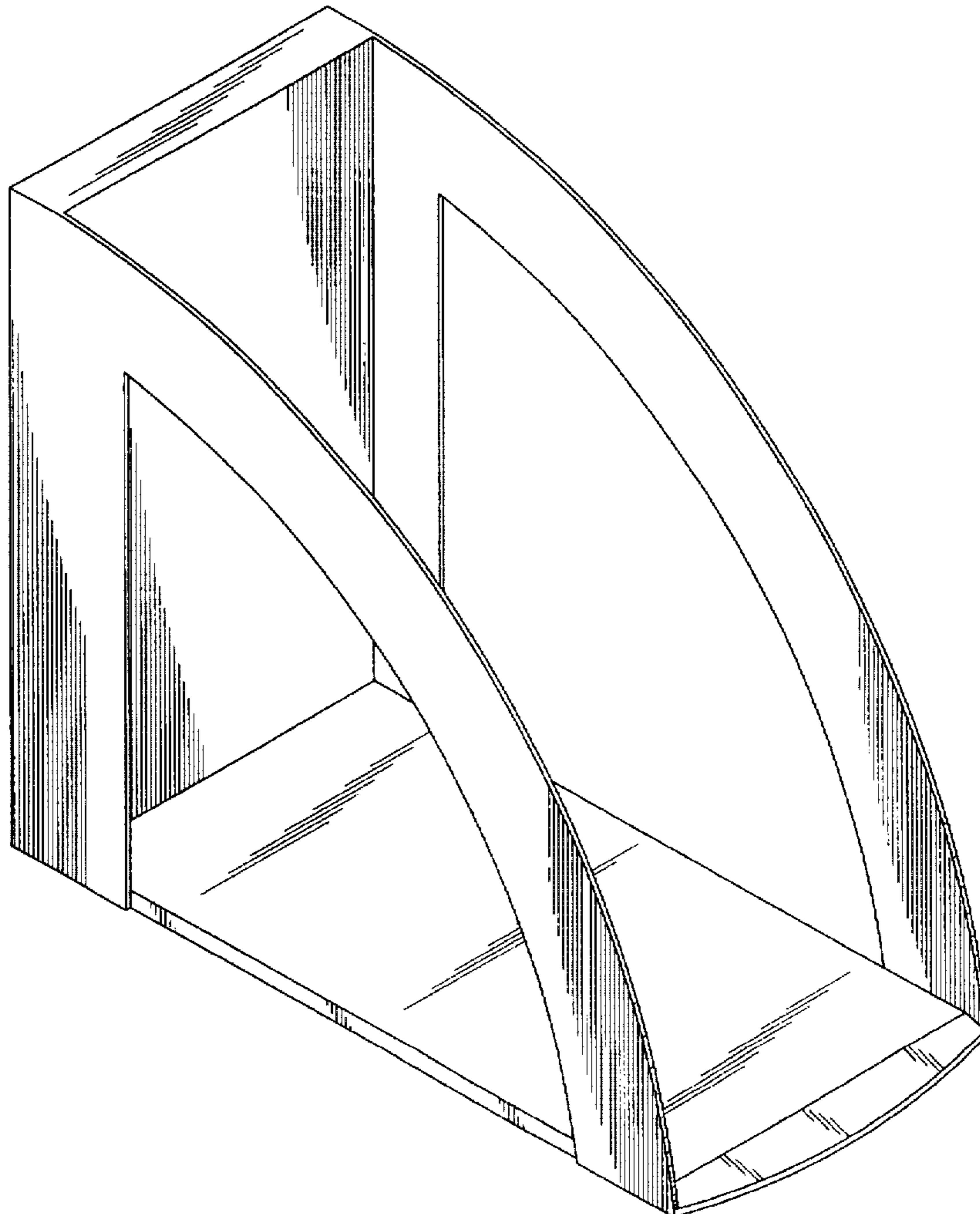
FIG. 1 is a perspective view of the binder tray;  
FIG. 2 is a front elevational view thereof;  
FIG. 3 is a rear elevational view;  
FIG. 4 is a side view thereof;  
FIG. 5 is a top view; and,  
FIG. 6 is a bottom view.

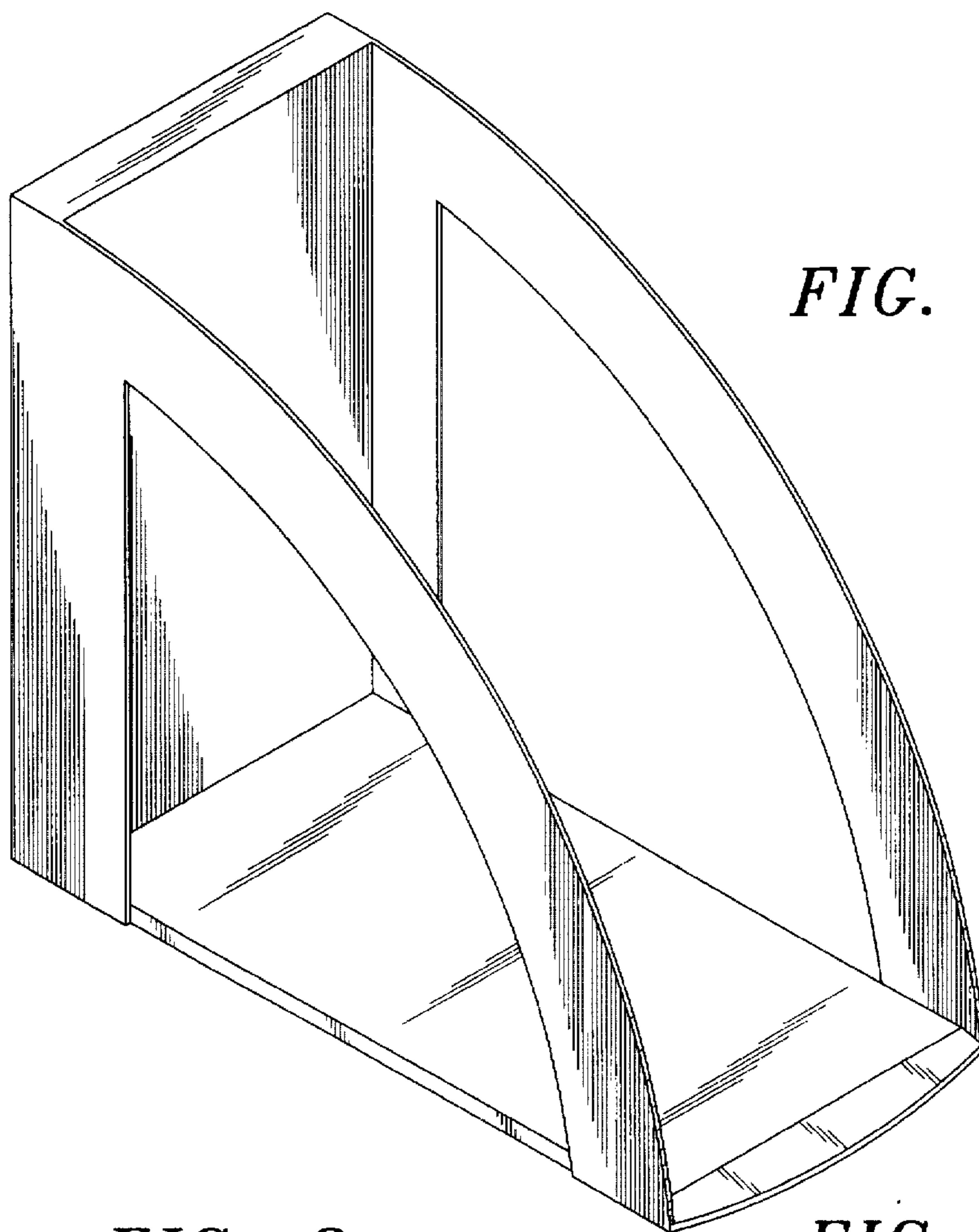
[56] **References Cited**

**U.S. PATENT DOCUMENTS**

D. 299,389 1/1989 Klodt ..... D19/90 X

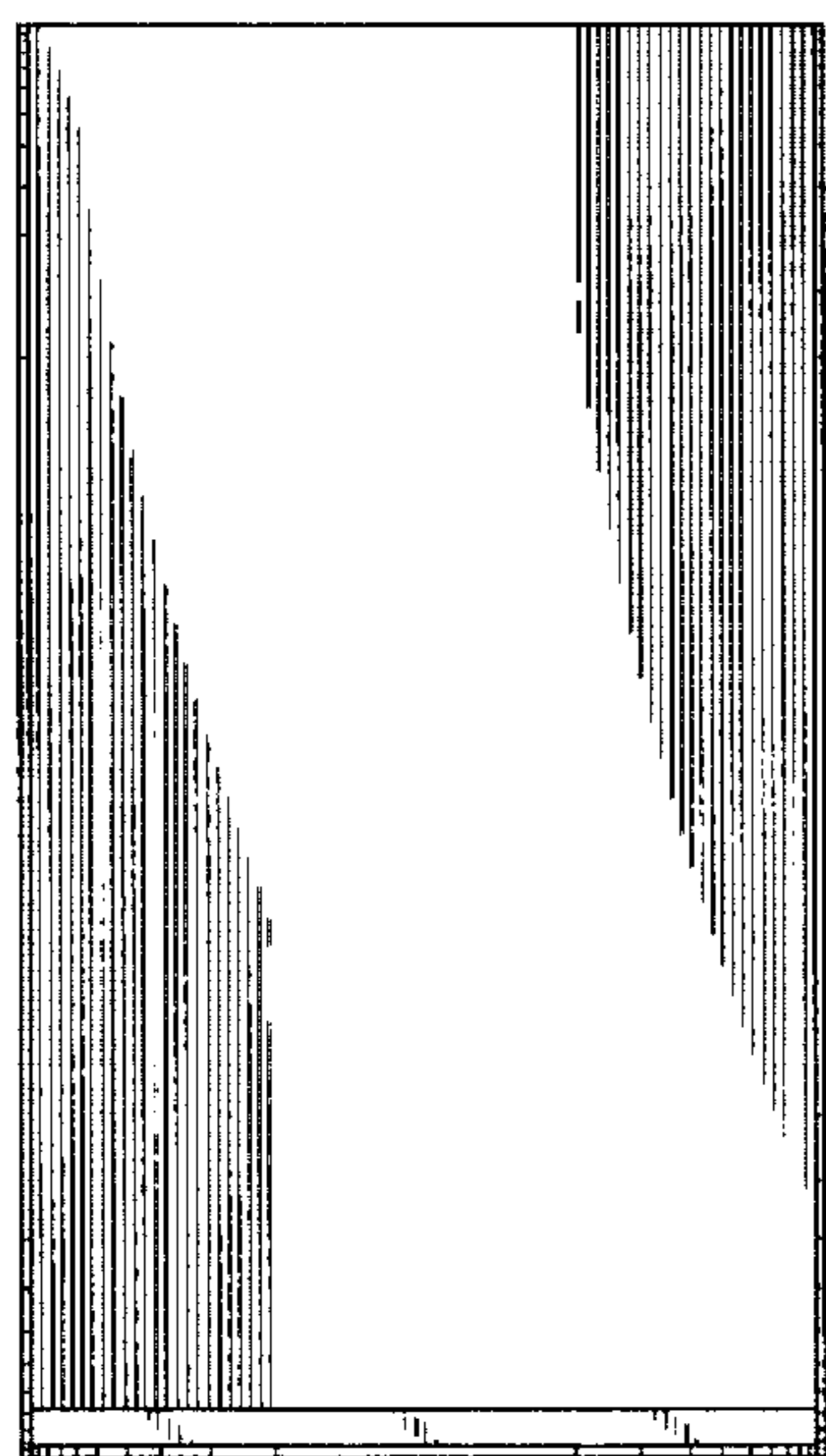
**1 Claim, 2 Drawing Sheets**



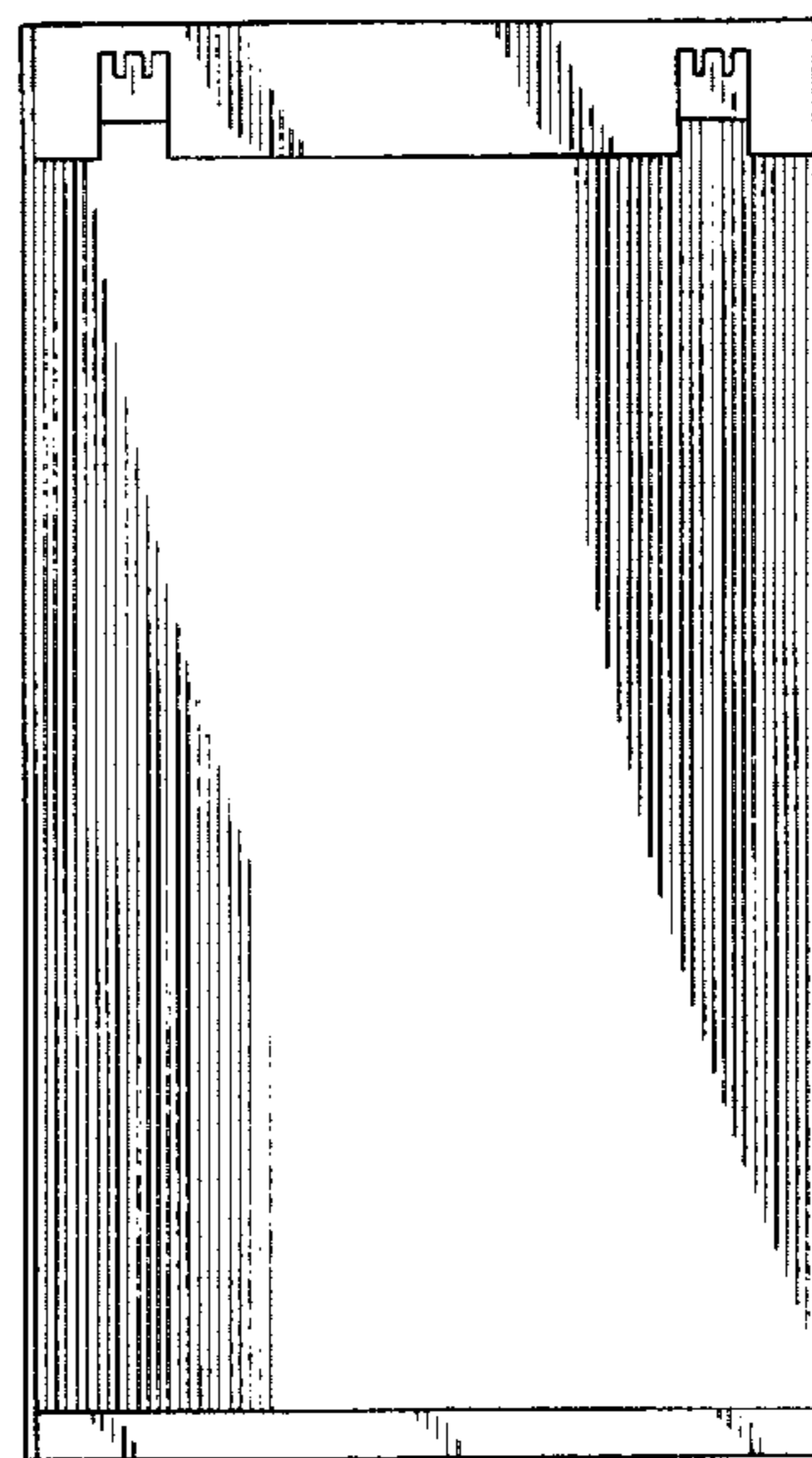


*FIG. 1*

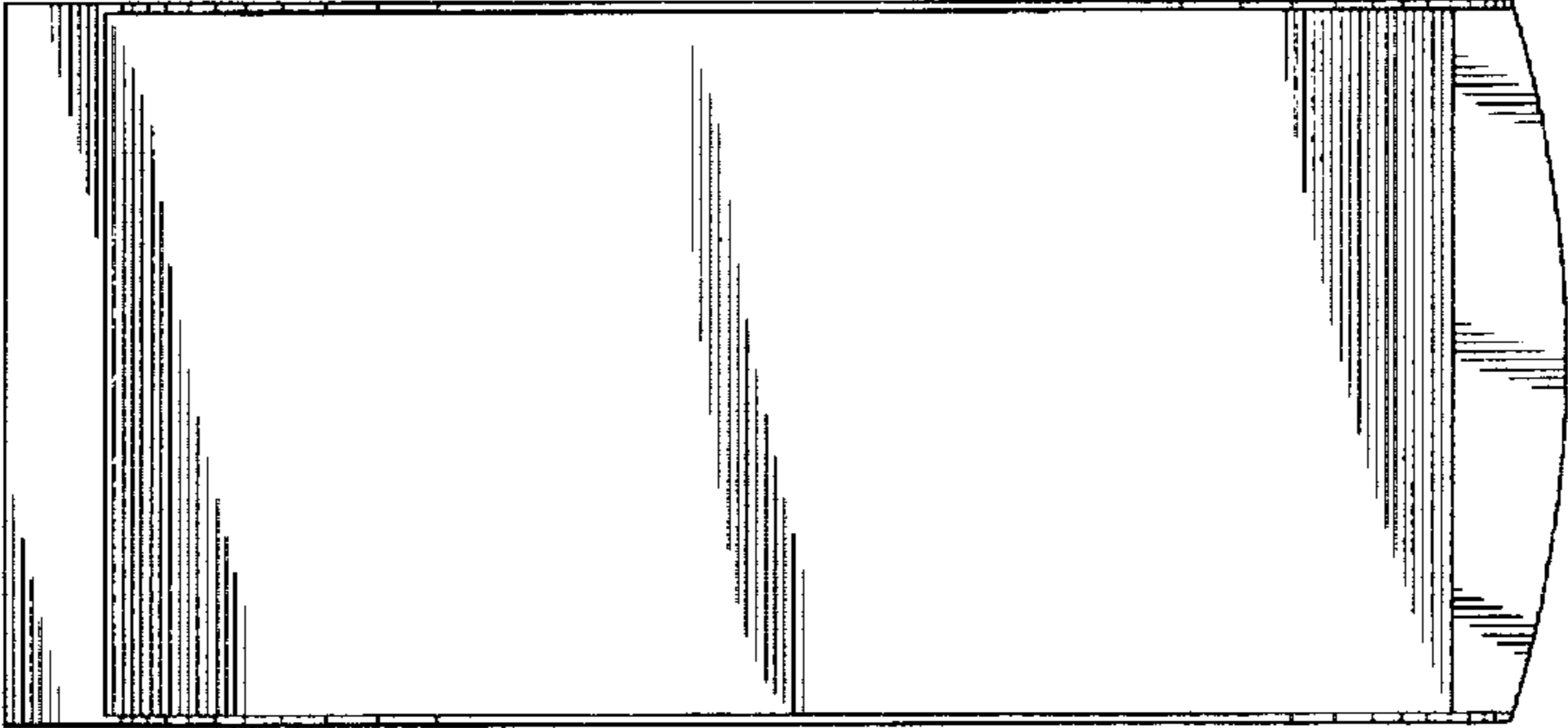
*FIG. 2*



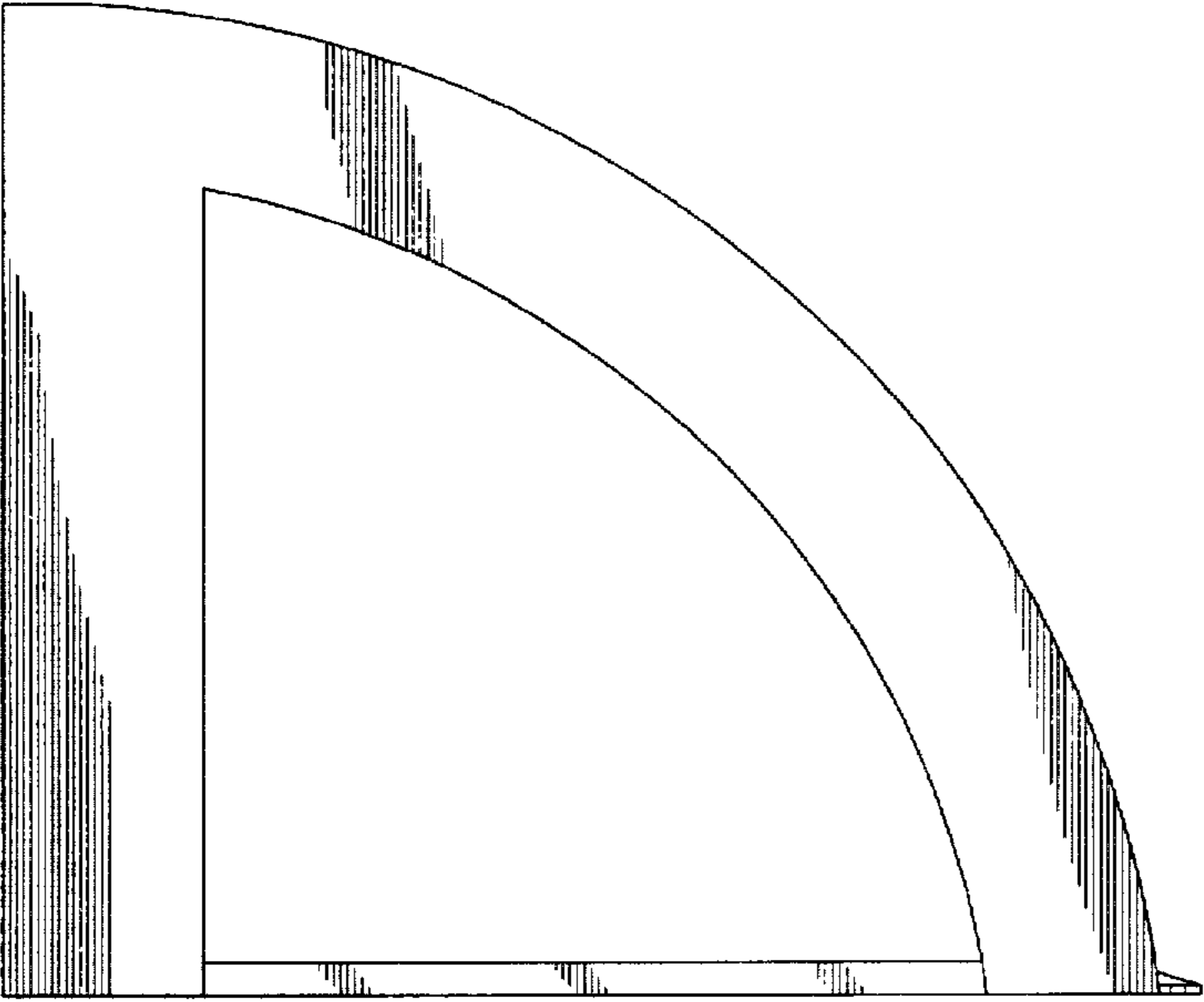
*FIG. 3*



*FIG. 5*



*FIG. 4*



*FIG. 6*

