



US00D385912S

# United States Patent [19]

[11] Patent Number: **Des. 385,912**

Byun

[45] Date of Patent: **\*\*Nov. 4, 1997**

[54] **PEN AND TIMEPIECE COMBINATION**

*Primary Examiner*—Martie Thompson  
*Attorney, Agent, or Firm*—Ezra Sutton, Esq.

[76] Inventor: **Hyo Sam Byun**, 844 Avenue of the Americas, New York, N.Y. 10001

[57] **CLAIM**

[\*\*] Term: **14 Years**

The ornamental design for a pen and timepiece combination, as shown and described.

[21] Appl. No.: **52,137**

**DESCRIPTION**

[22] Filed: **Mar. 25, 1996**

[51] LOC (6) Cl. .... **19-06**

FIG. 1 is a top, left front perspective view of a pen and timepiece combination showing my new design;

[52] U.S. Cl. .... **D19/36; D10/2; D19/51; D19/56; D19/46**

FIG. 2 is a front view thereof;

[58] Field of Search ..... **D10/31; D19/35, D19/36, 41-51, 53-58, 81-85, 99, 100; 401/52, 195, 209, 99; 368/10**

FIG. 3 is a left side view thereof;

FIG. 4 is a rear view thereof;

FIG. 5 is a right side view thereof;

FIG. 6 is a top plan view thereof;

FIG. 7 is a bottom plan view thereof;

[56] **References Cited**

FIG. 8 is a top, left front perspective view of a second embodiment of my design of FIG. 1;

FIG. 9 is a front view of FIG. 8;

FIG. 10 is a left side view of FIG. 8;

FIG. 11 is a rear view of FIG. 8;

FIG. 12 is a right side view of FIG. 8;

FIG. 13 is a top plan view of FIG. 8; and,

FIG. 14 is a bottom plan view of FIG. 8.

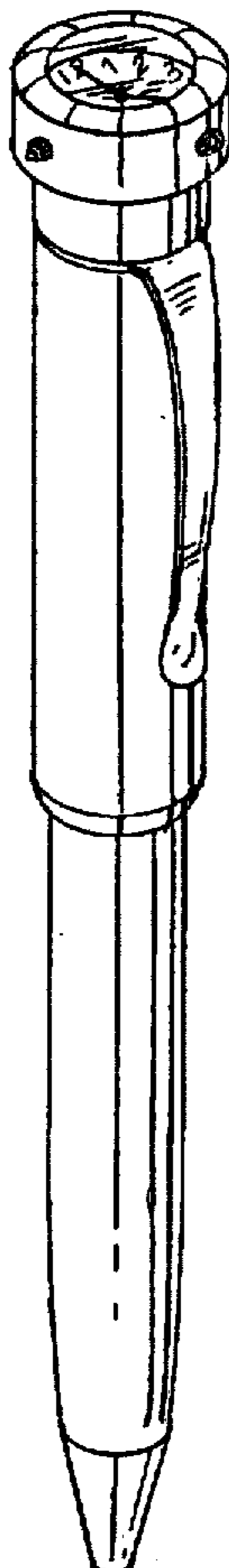
**U.S. PATENT DOCUMENTS**

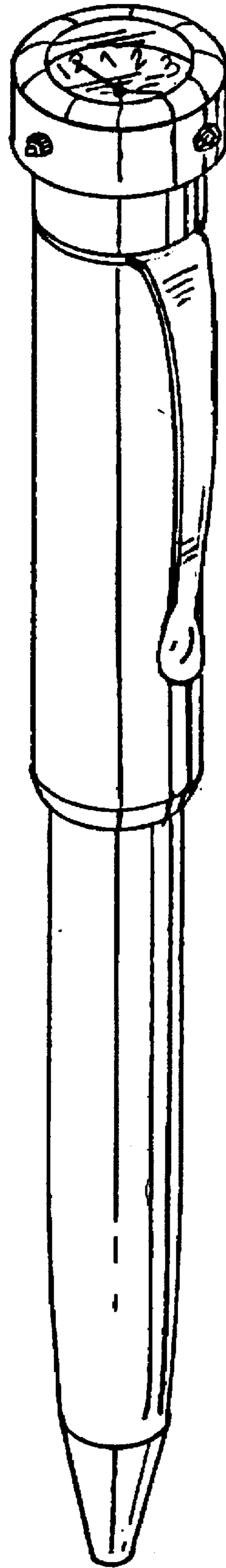
D. 76,298	9/1928	Grabelsky	.....	D19/36 X
D. 124,725	1/1941	Ornstein	.....	D10/31
D. 354,309	1/1995	Lin	.....	D19/36
2,129,480	9/1938	Schlacht	.....	401/195 X
2,718,749	9/1955	Florman	.....	401/195 X
4,162,754	7/1979	Fleming	.....	401/195 X

**FOREIGN PATENT DOCUMENTS**

191158	1/1923	United Kingdom	.....	D19/65
--------	--------	----------------	-------	--------

**1 Claim, 4 Drawing Sheets**





**FIG. 1**

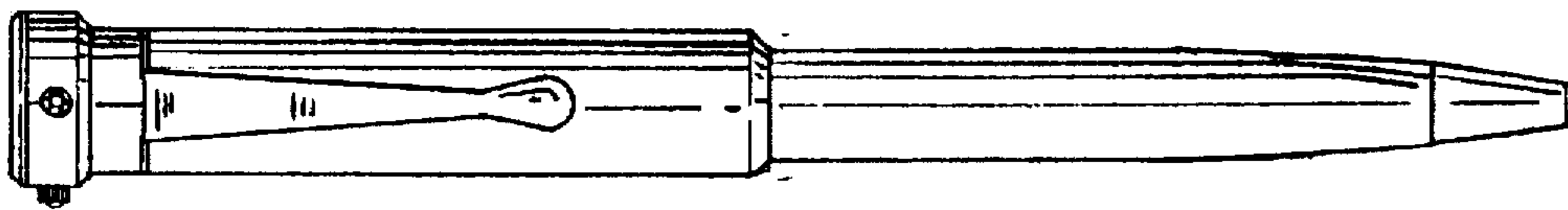


FIG. 2

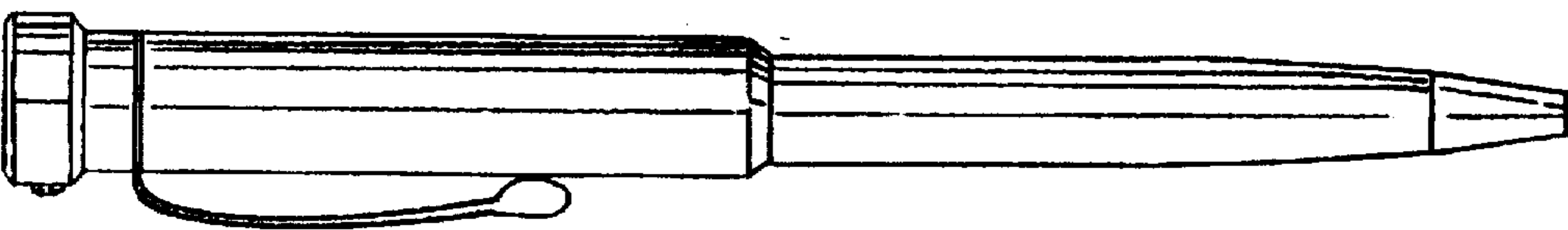


FIG. 3

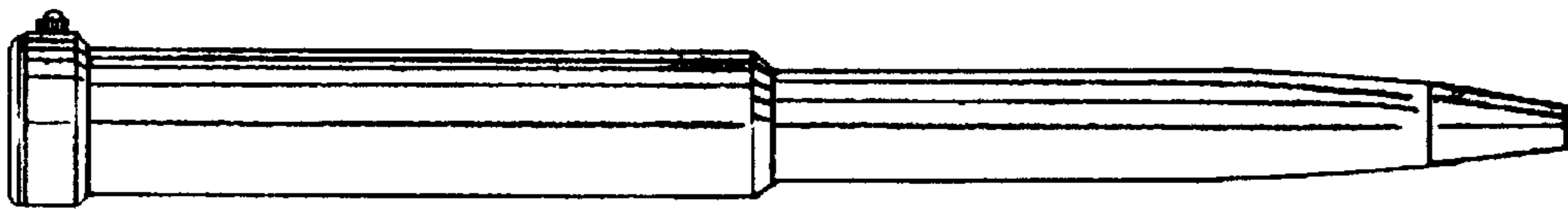


FIG. 4

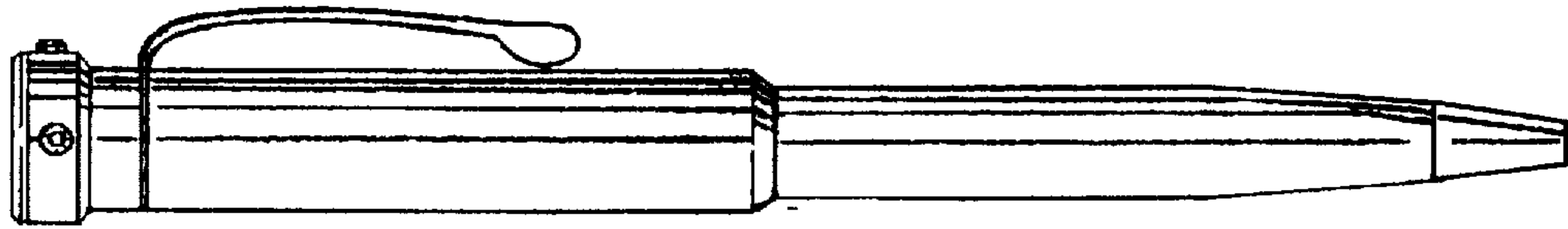


FIG. 5

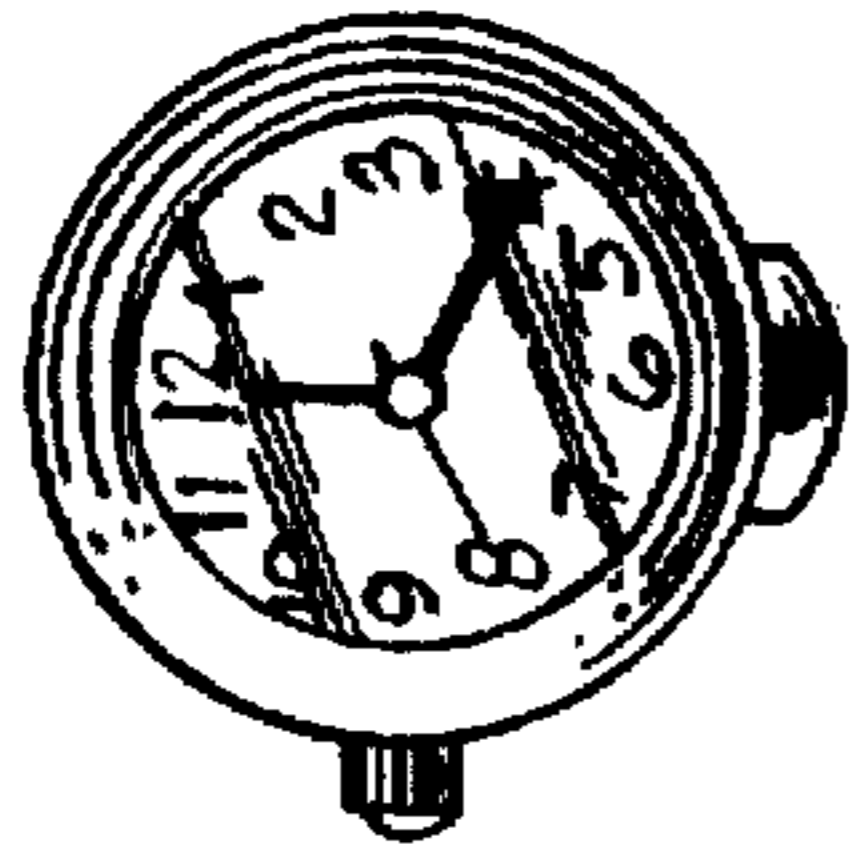


FIG. 6

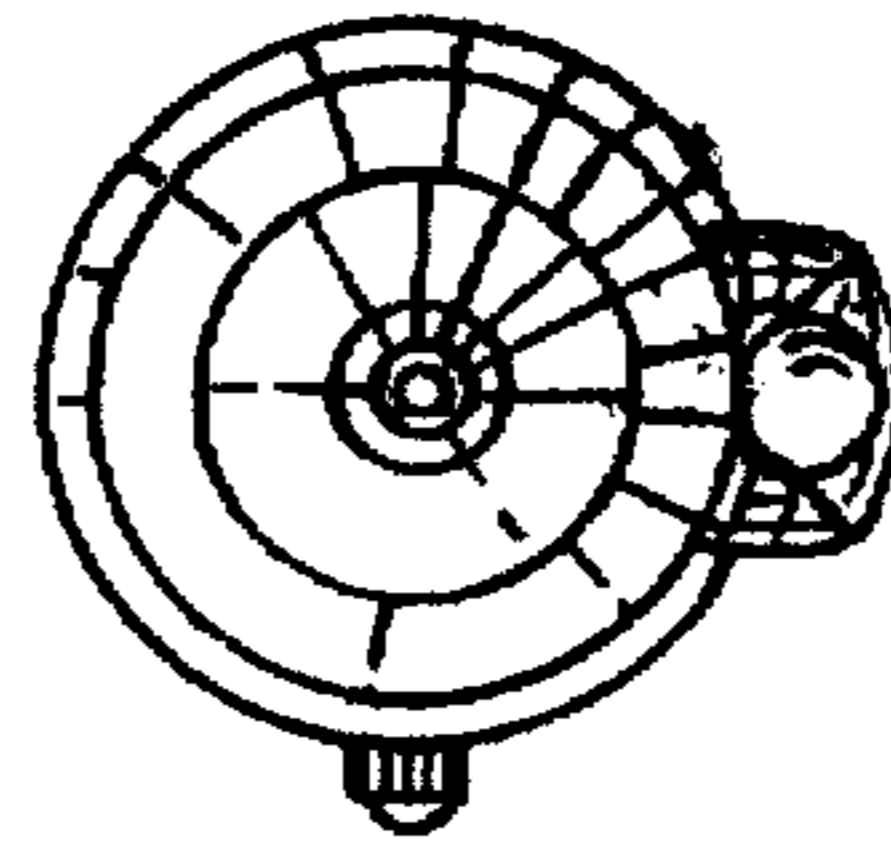
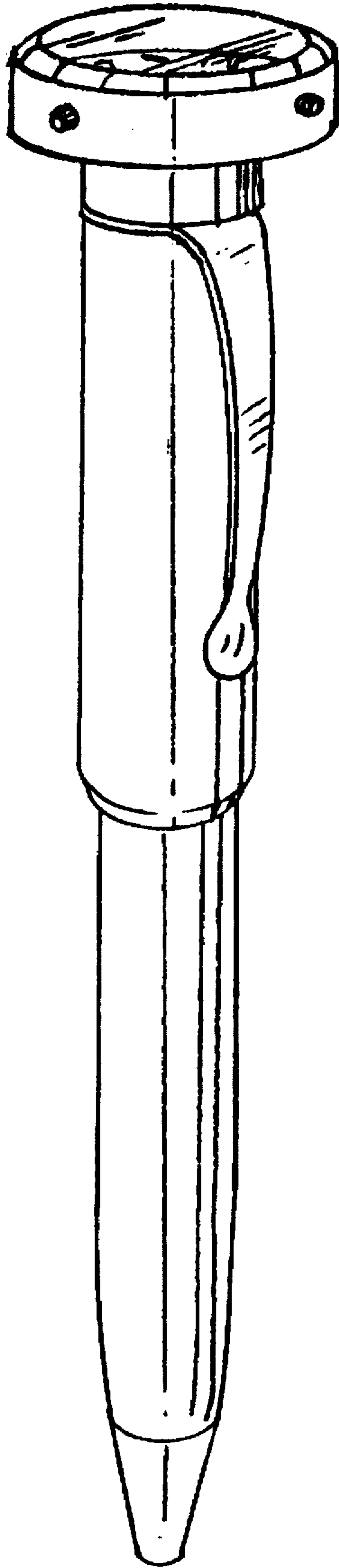


FIG. 7



**FIG. 8**

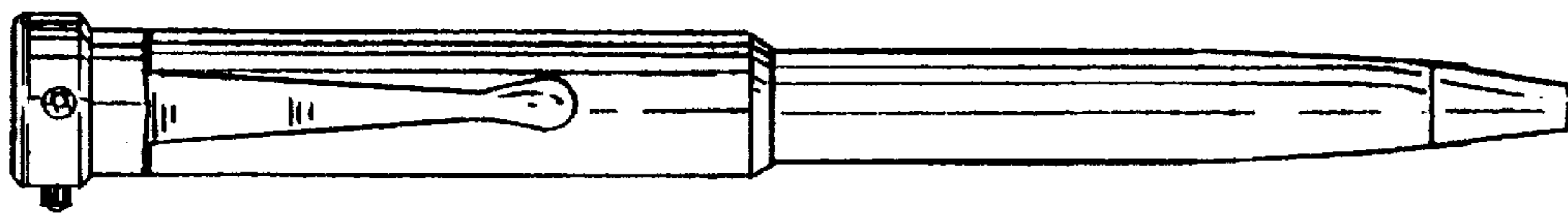


FIG. 9

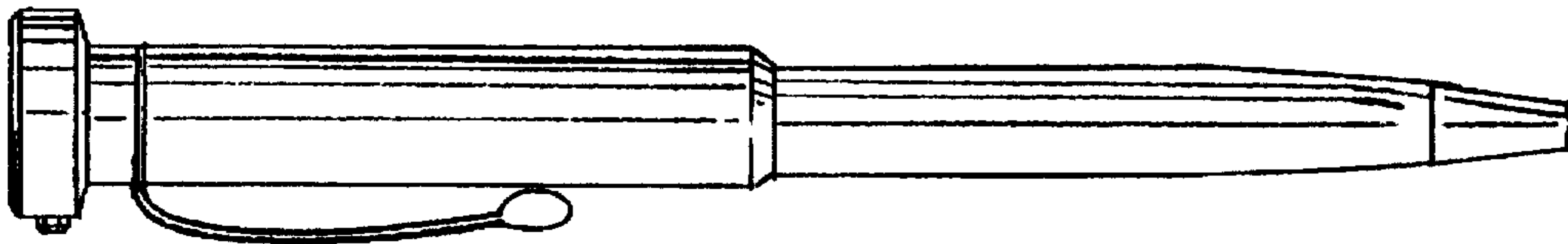


FIG. 10

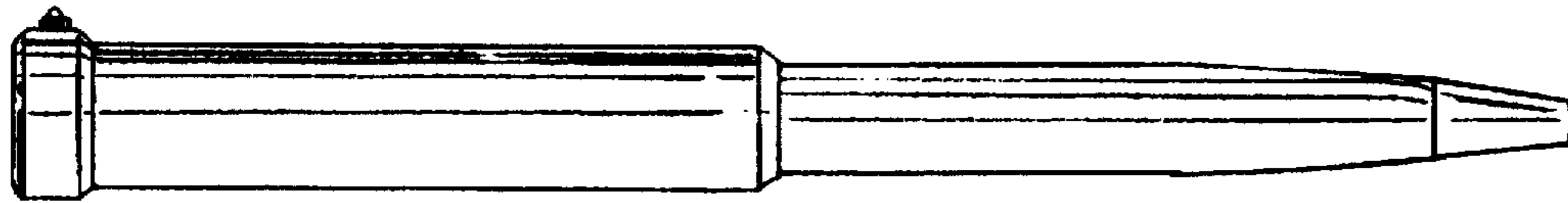


FIG. 11

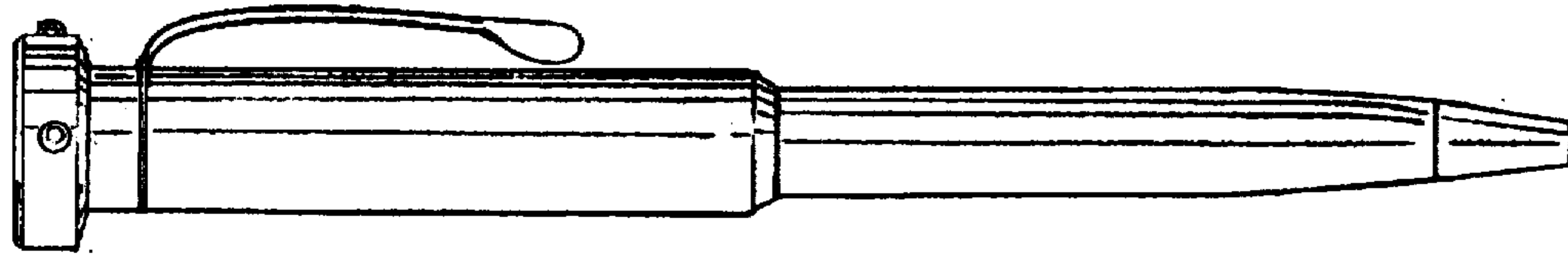


FIG. 12

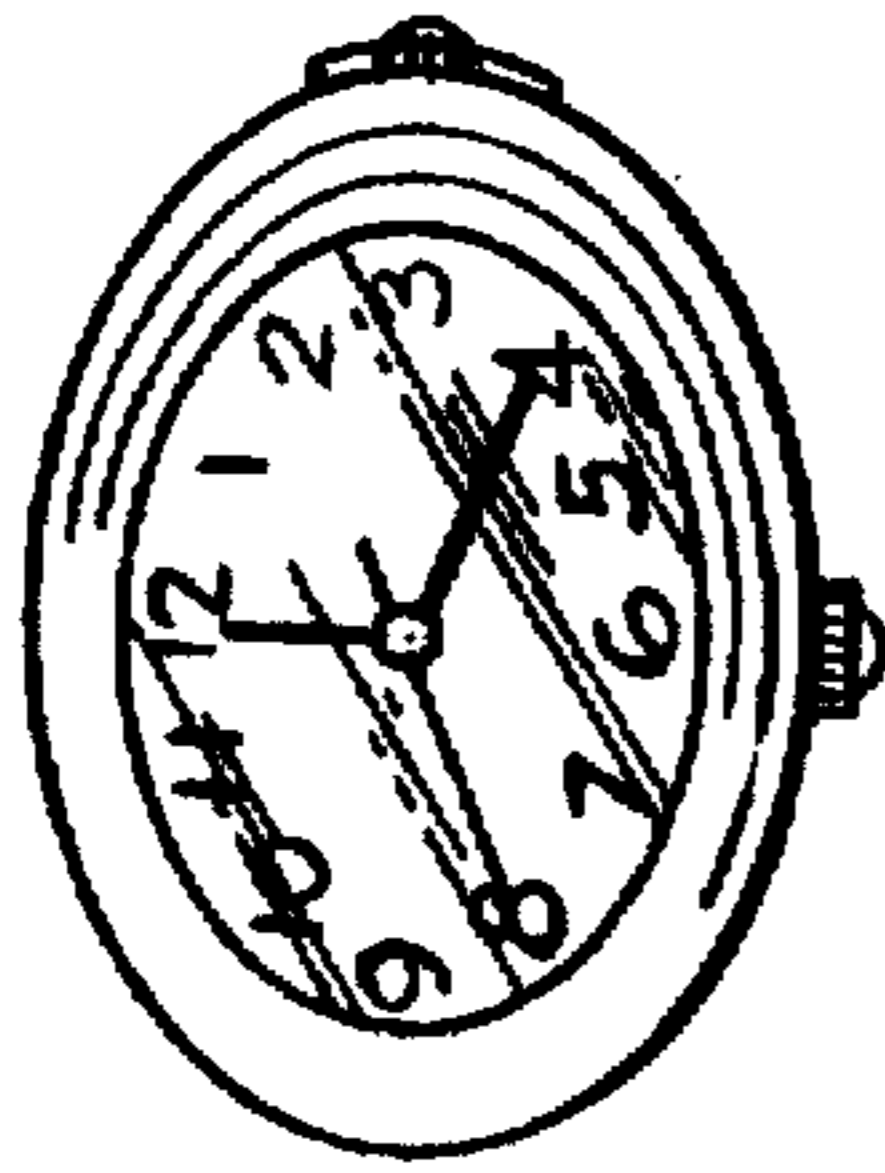


FIG. 13

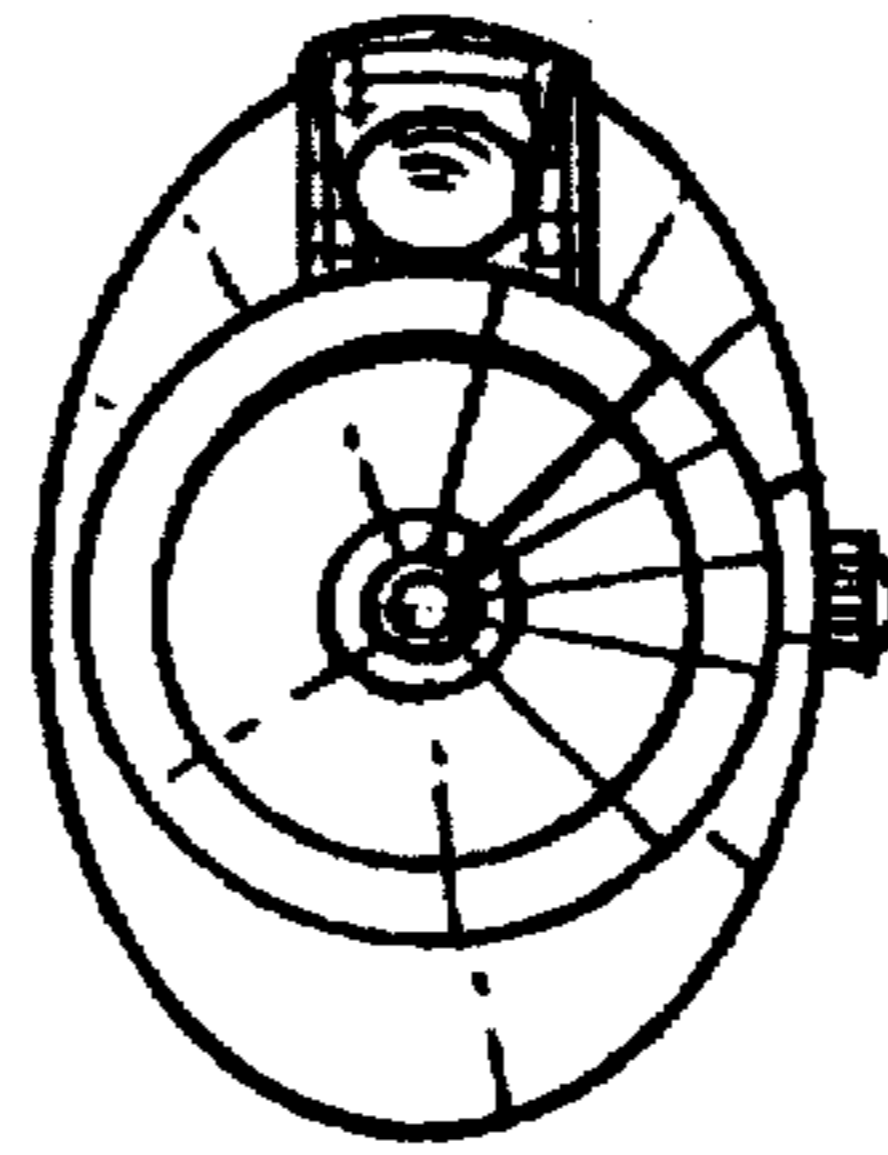


FIG. 14