

US00D385905S

United States Patent [19]
Harden

[11] **Patent Number:** **Des. 385,905**

[45] **Date of Patent:** ****Nov. 4, 1997**

[54] **STAMPER**

D. 372,729 8/1996 Hewitt D18/18
2,891,472 6/1959 Holzer 101/333

[75] **Inventor:** **Dan Harden**, Palo Alto, Calif.

[73] **Assignee:** **Shachihata, Inc.**, Aichi-Ken, Japan

[**] **Term:** **14 Years**

Primary Examiner—Louis S. Zarfaz
Assistant Examiner—Frank Martinez
Attorney, Agent, or Firm—Keck, Mahin & Cate

[21] **Appl. No.:** **57,479**

[57] **CLAIM**

The ornamental design for a stamper, as shown.

[22] **Filed:** **Jul. 25, 1996**

DESCRIPTION

[51] **LOC (6) Cl.** **19-02**

[52] **U.S. Cl.** **D18/15**

[58] **Field of Search** D18/15, 16, 17,
D18/18; 118/264, 268; 101/333, 327, 405,
406

FIG. 1 is a perspective top view of the stamper according to my design;

FIG. 2 is a perspective bottom view of the stamper;

FIG. 3 is a front elevational view of the stamper;

FIG. 4 is a top plan view thereof;

FIG. 5 is a bottom plan view thereof;

FIG. 6 is a left side elevational view thereof;

FIG. 7 is a right side elevational view thereof; and,

FIG. 8 is a cross-sectional view of the stamper taken along line 8—8 of FIG. 3.

[56] **References Cited**

U.S. PATENT DOCUMENTS

D. 323,527 1/1992 Weir et al. D18/15
D. 367,290 2/1996 Sculler et al. D18/15
D. 371,386 7/1996 Smith D18/18

1 Claim, 3 Drawing Sheets

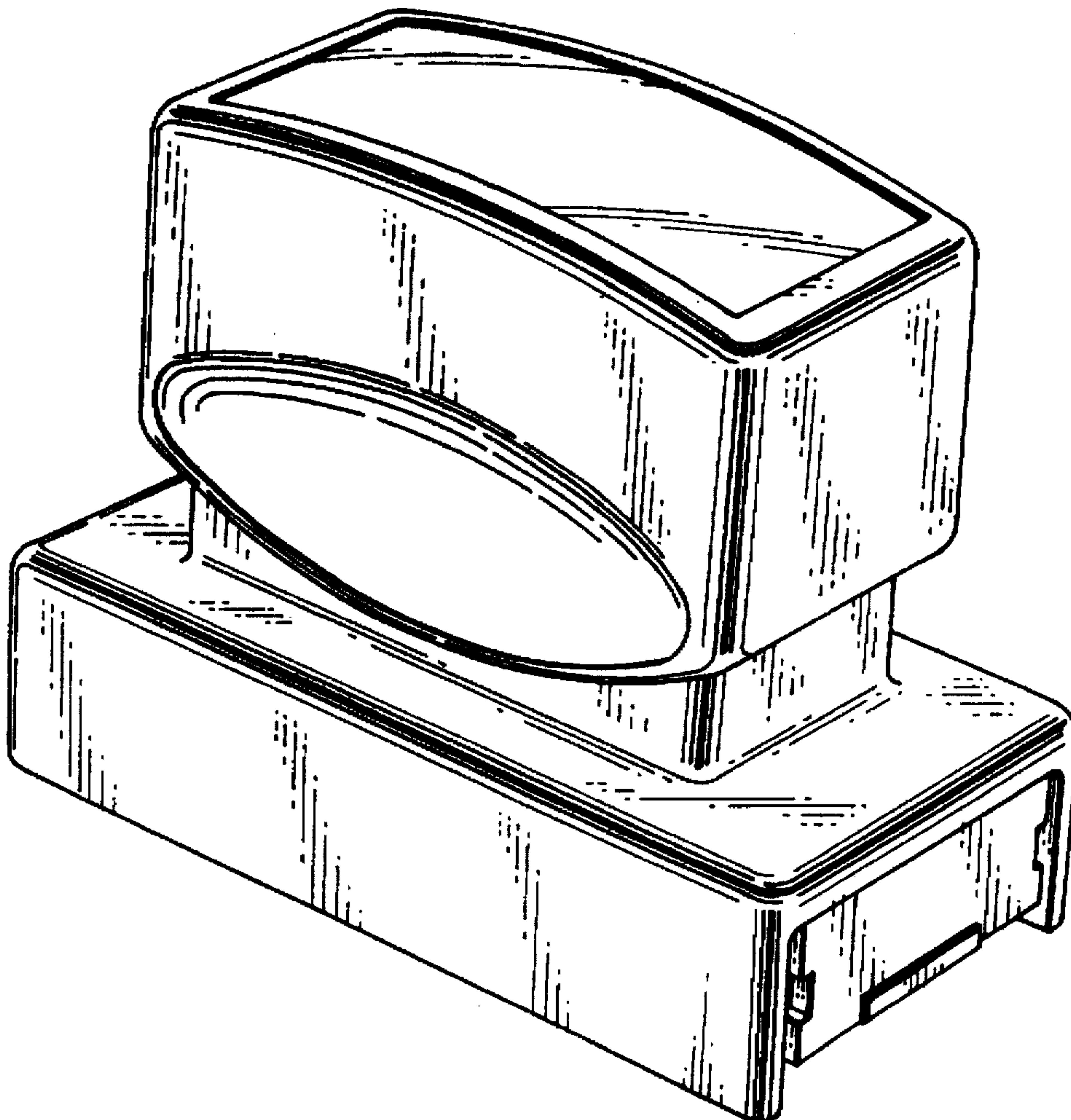


FIG. 1

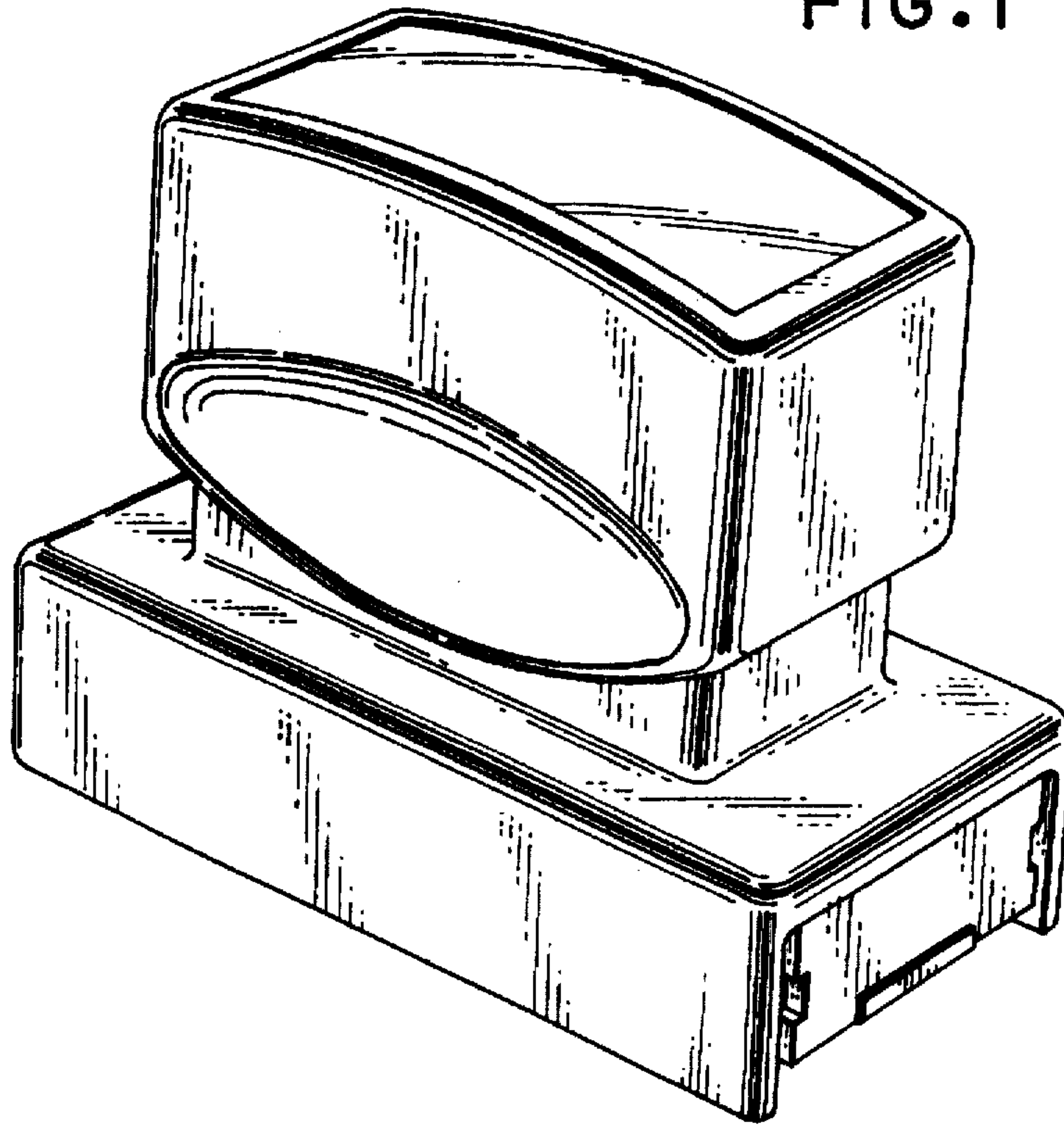


FIG. 2

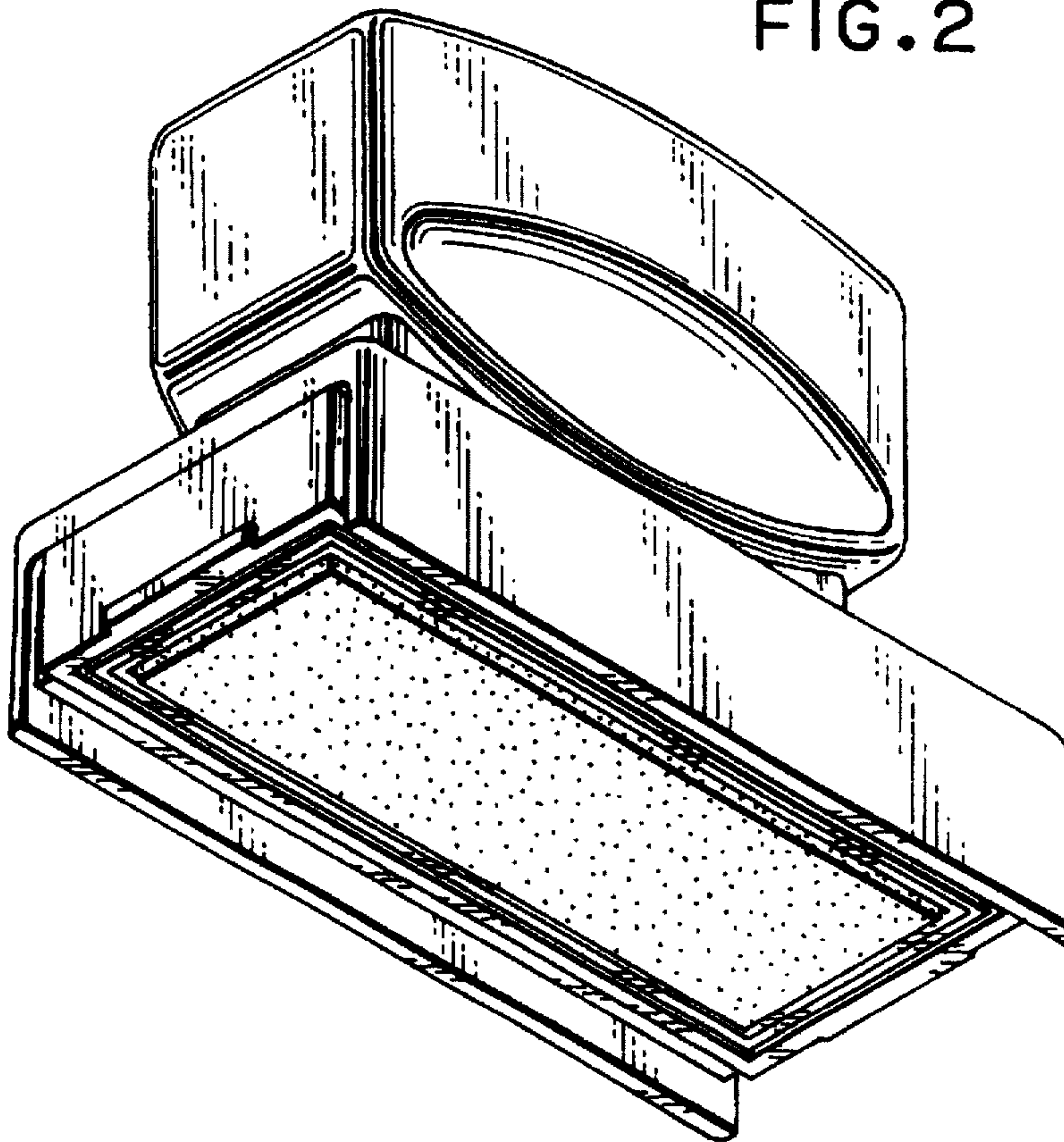


FIG. 3

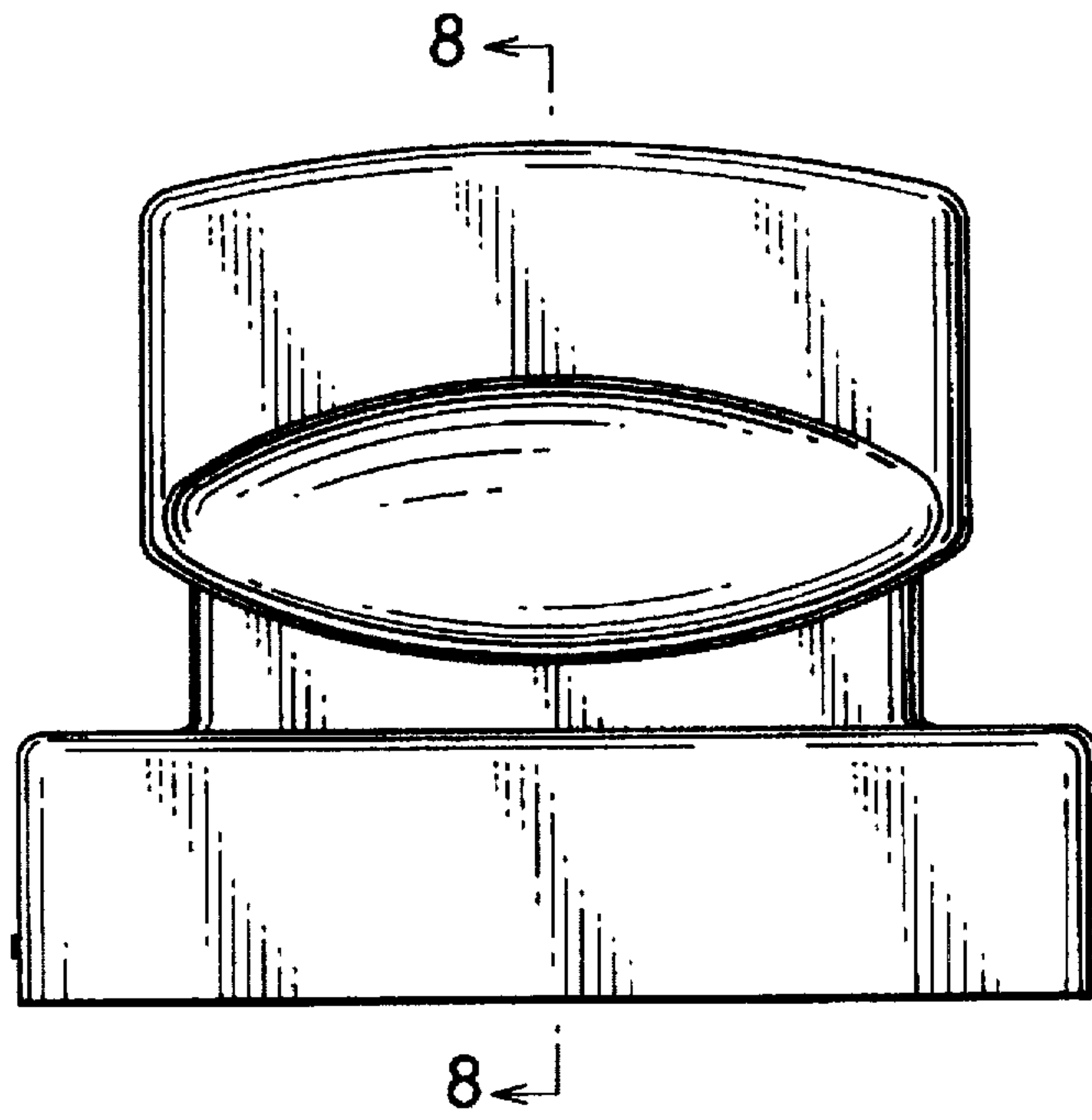


FIG. 4

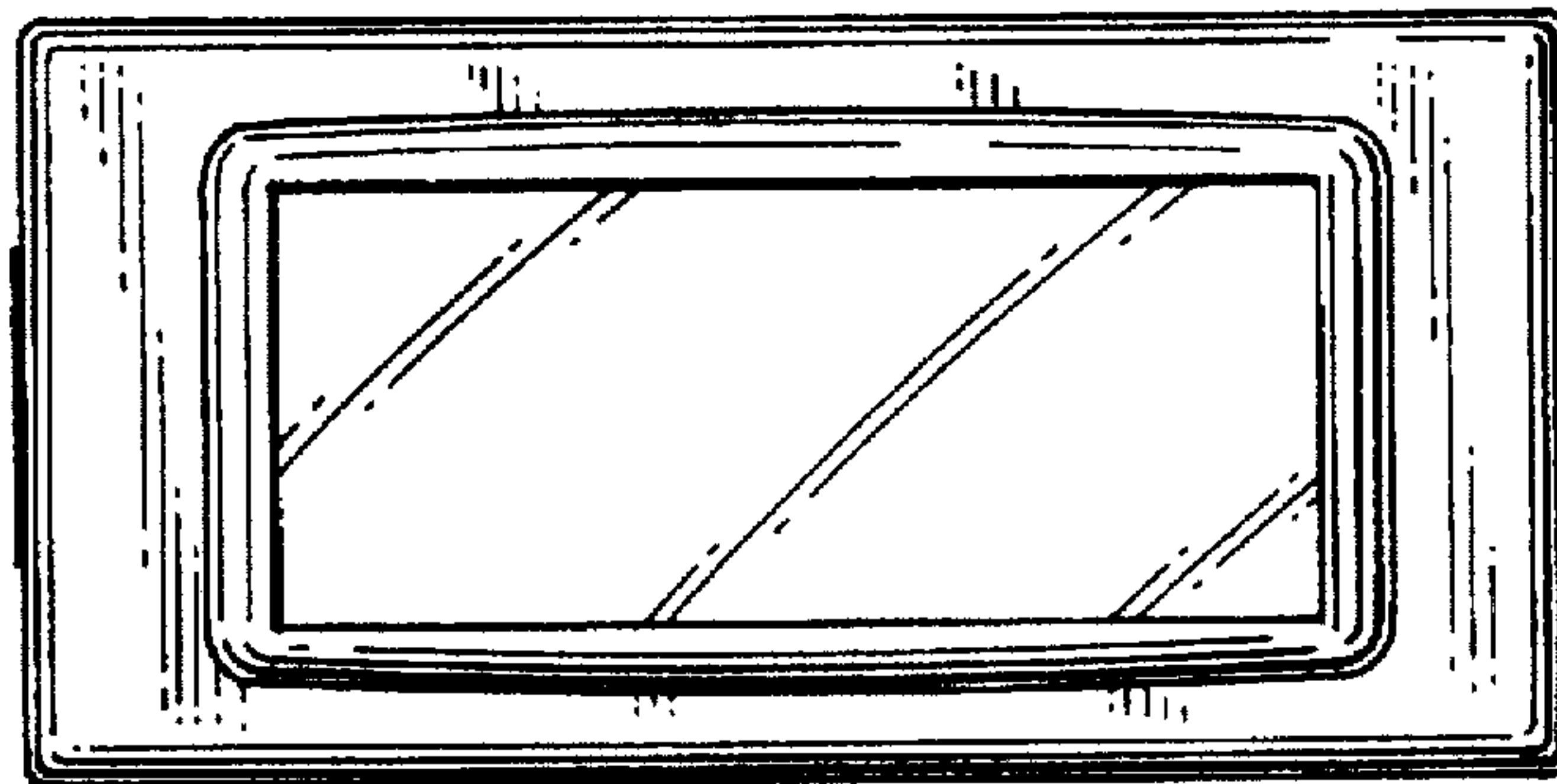


FIG. 5

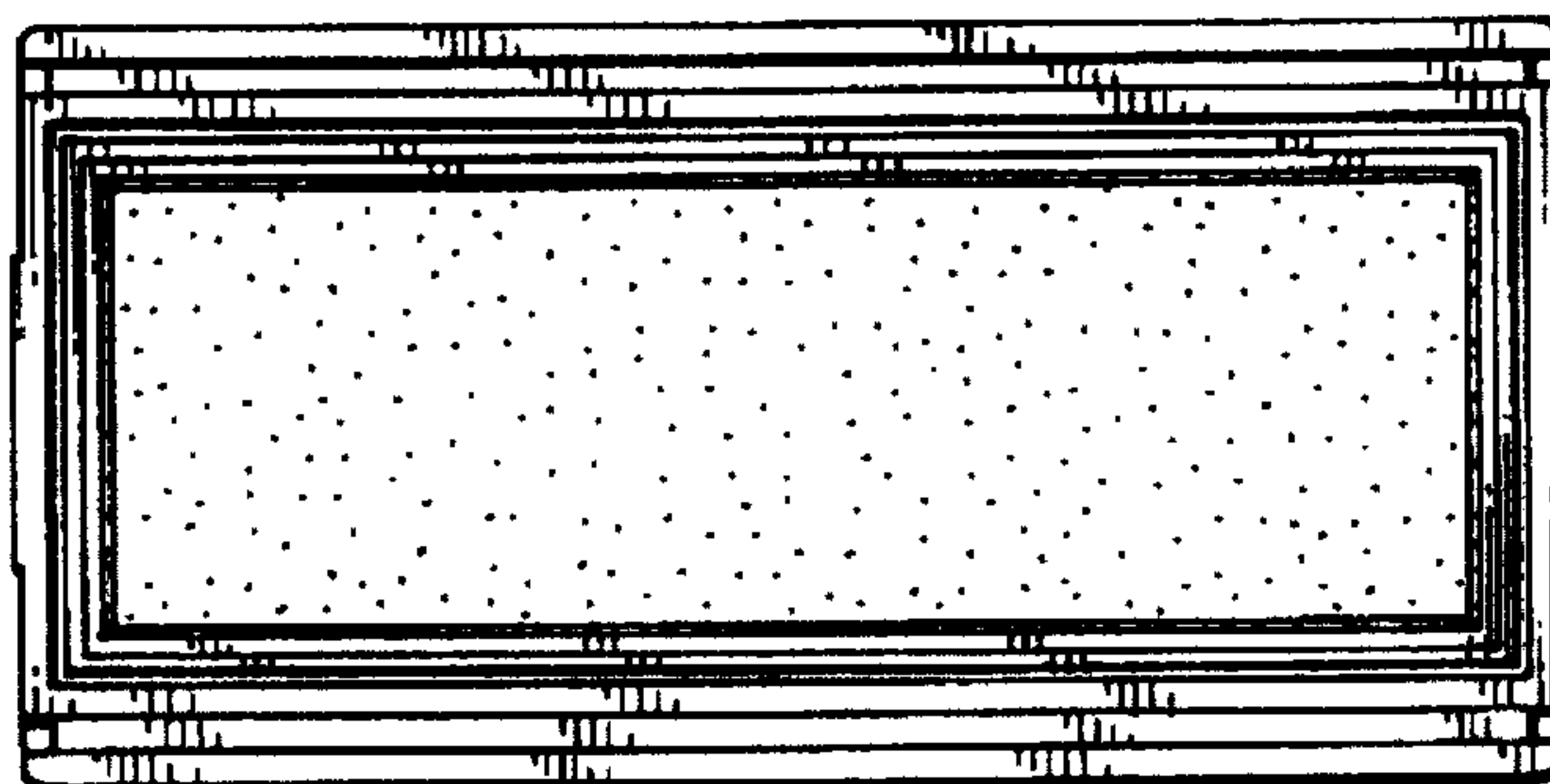


FIG. 6

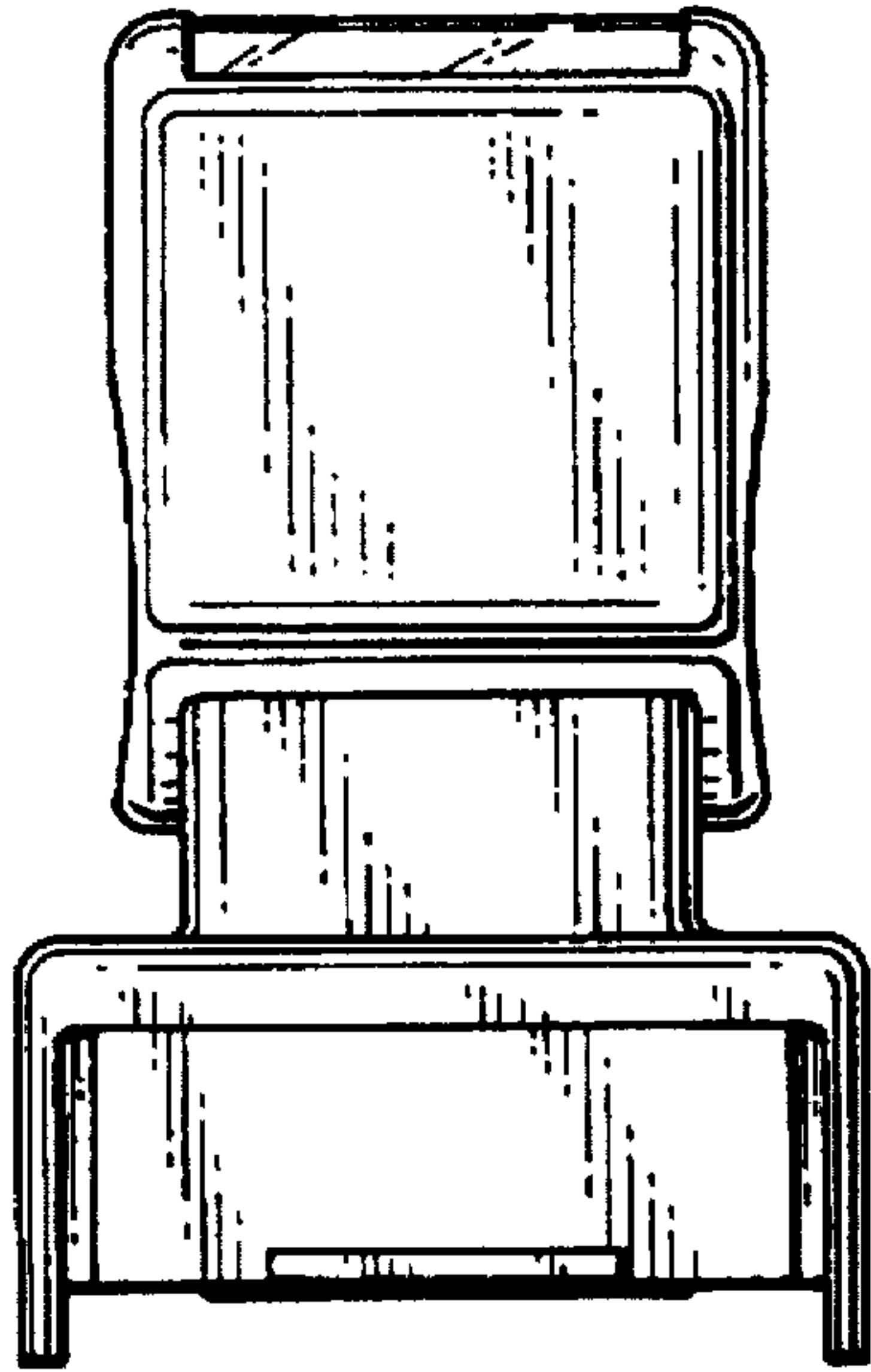


FIG. 7

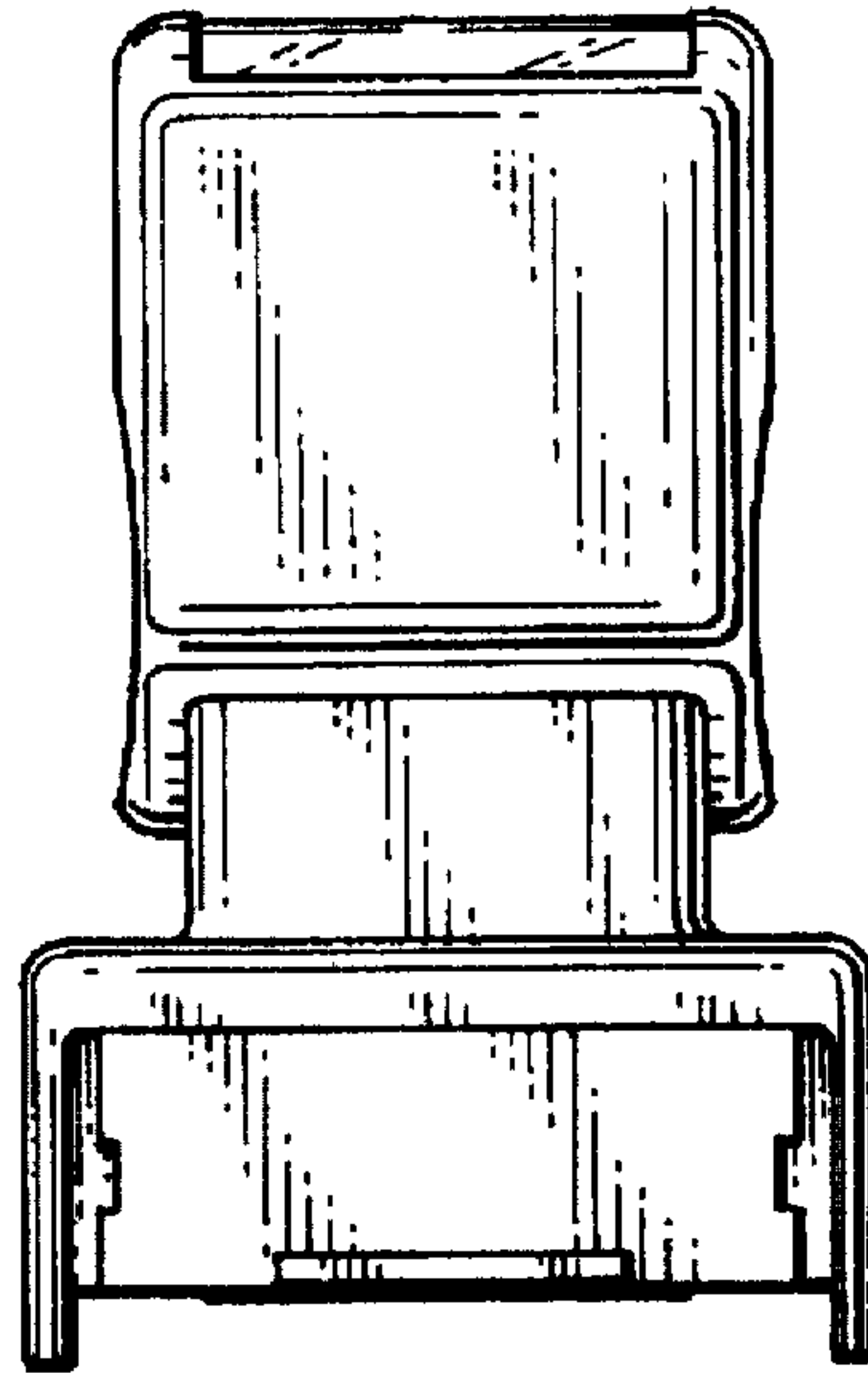


FIG. 8

