

US00D385901S

United States Patent [19]

Wong

[11] Patent Number: **Des. 385,901**

[45] Date of Patent: ****Nov. 4, 1997**

[54] **MUSICAL INSTRUMENT BODY**

[76] Inventor: **Ka Hei Wong**, 101 Grassy Plain Rd., East Providence, R.I. 02915

[**] Term: **14 Years**

[21] Appl. No.: **61,204**

[22] Filed: **Oct. 17, 1996**

[51] LOC (6) Cl. **17-03**

[52] U.S. Cl. **D17/20; D17/14; 84/291**

[58] Field of Search **D17/14, 15, 17, D17/18, 19, 20; 84/267, 291, 293, 274**

[56] **References Cited**

U.S. PATENT DOCUMENTS

D. 263,965	4/1982	Klein	D17/18
D. 289,900	5/1987	Aitken et al.	D17/14
D. 372,041	7/1996	Reizenstein	D17/18
5,191,159	3/1993	Jordan	84/291
5,247,132	9/1993	Henderson	84/274

Primary Examiner—Philip S. Hyder
Assistant Examiner—Adir Aronovich
Attorney, Agent, or Firm—Robert J. Doherty

[57] **CLAIM**

The ornamental design for a musical instrument body, as shown.

DESCRIPTION

FIG. 1 is a top perspective of a musical instrument body showing my new design;

FIG. 2 is a side elevational view taken from the right side of FIG. 1;

FIG. 3 is a side elevational view taken from the left side of FIG. 1;

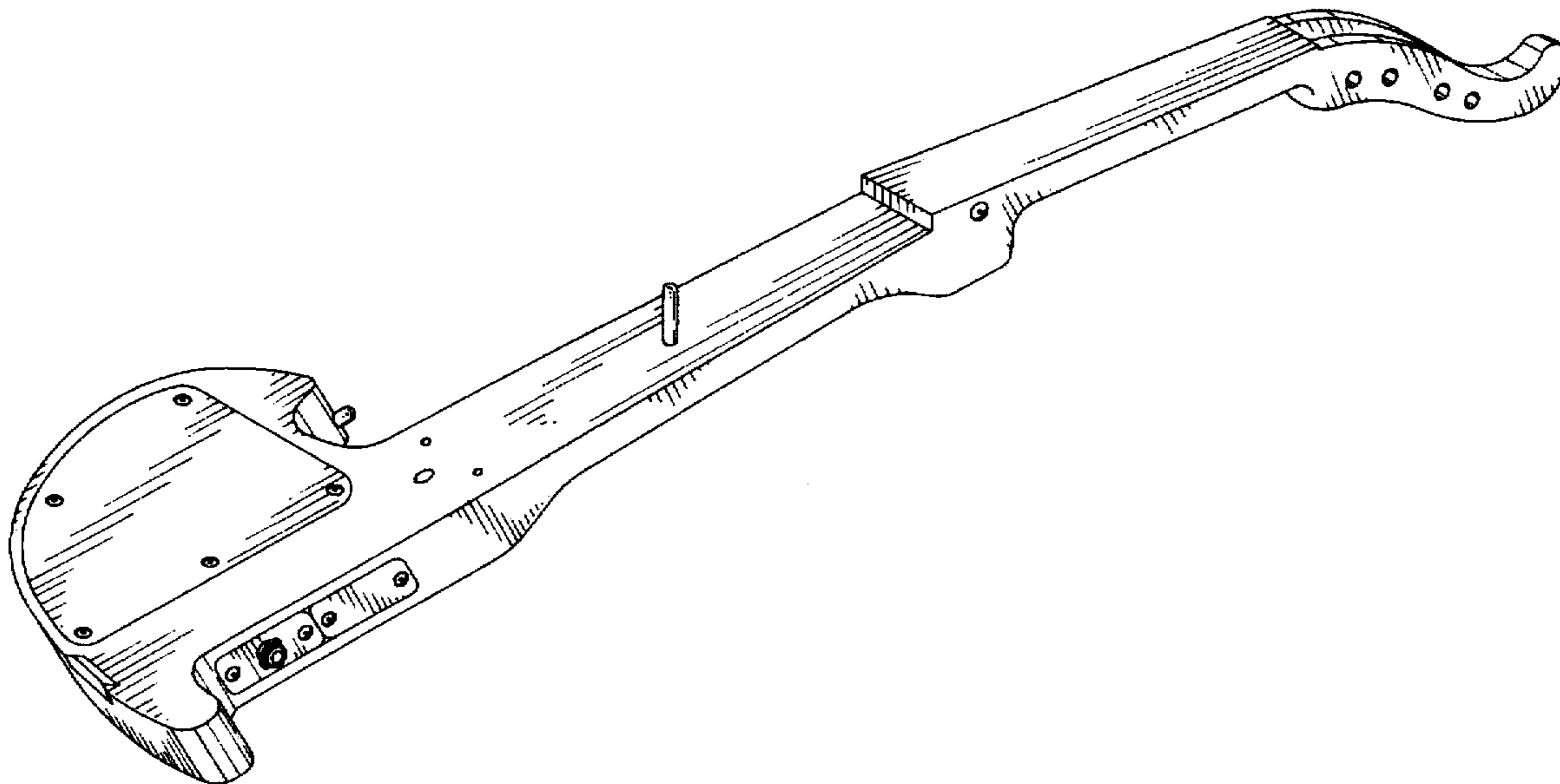
FIG. 4 is a top plan view thereof;

FIG. 5 is a bottom plan view thereof;

FIG. 6 is a rear elevational view thereof; and,

FIG. 7 is a front elevational view thereof.

1 Claim, 3 Drawing Sheets



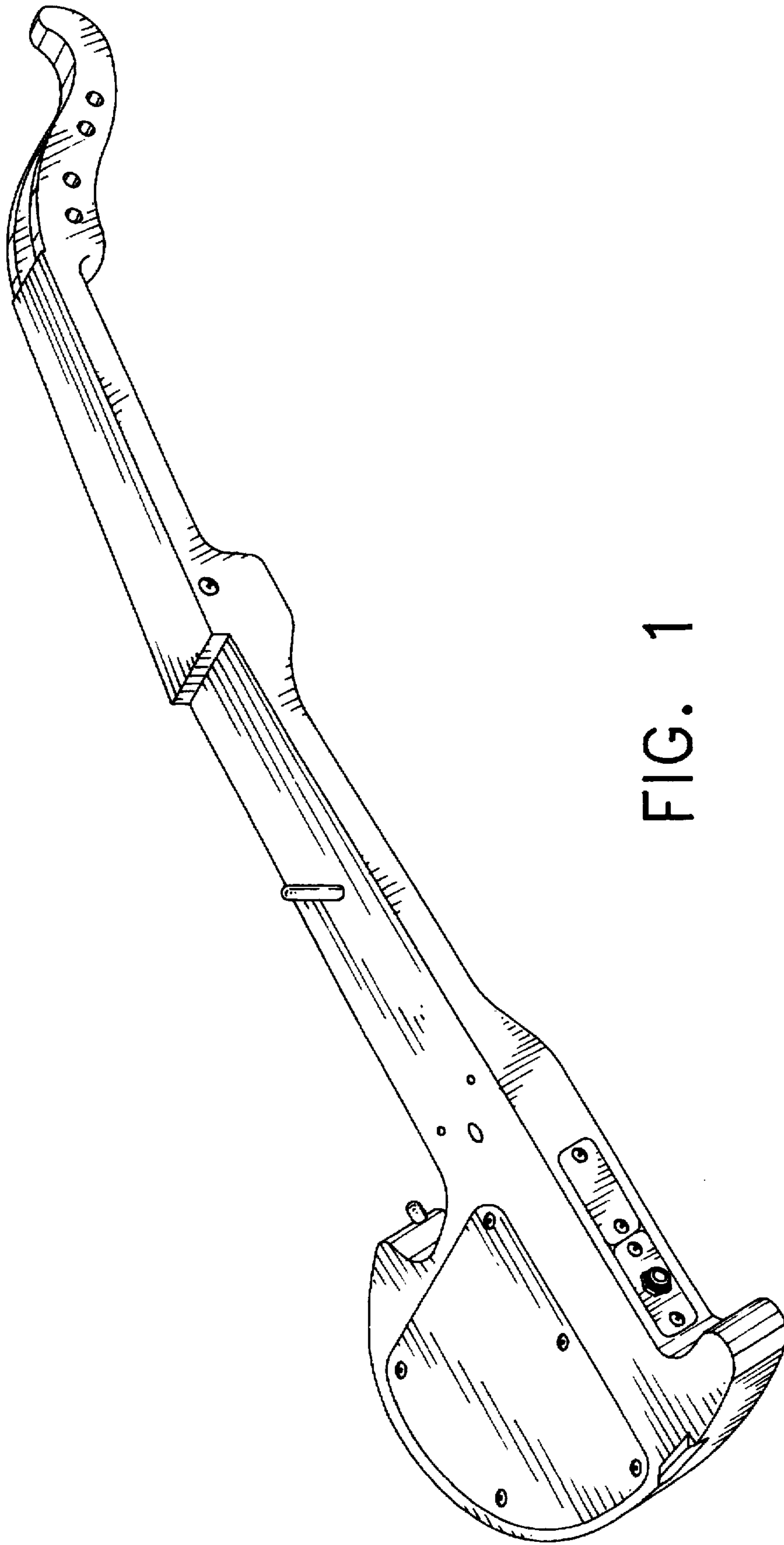


FIG. 1

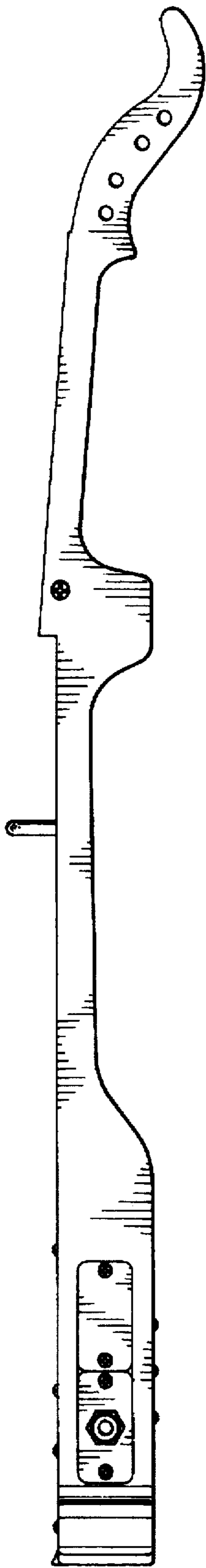


FIG. 2

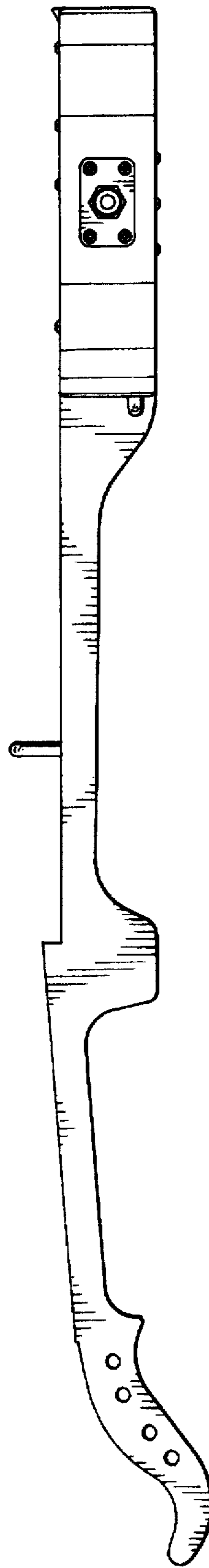


FIG. 3

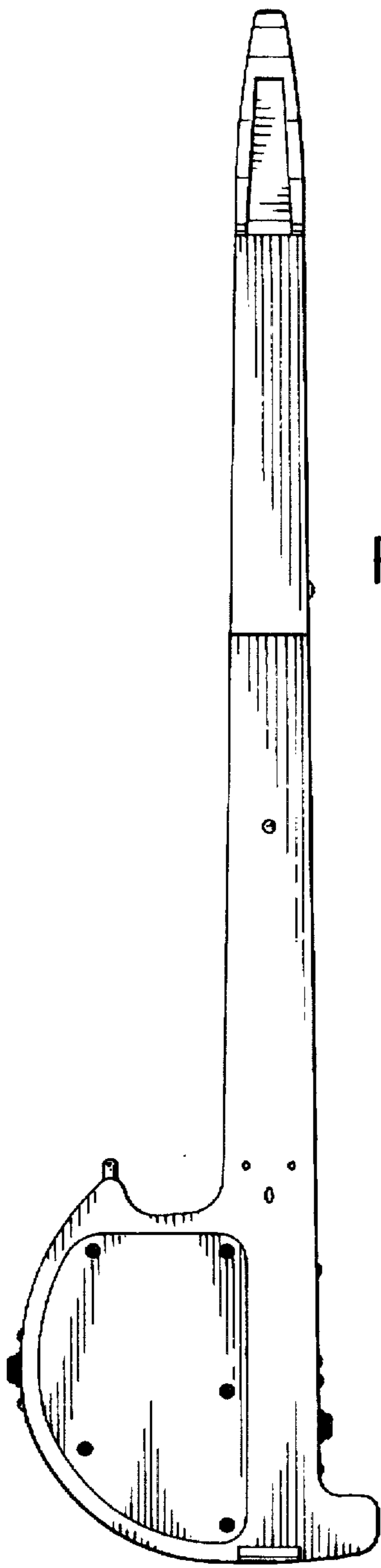


FIG. 4

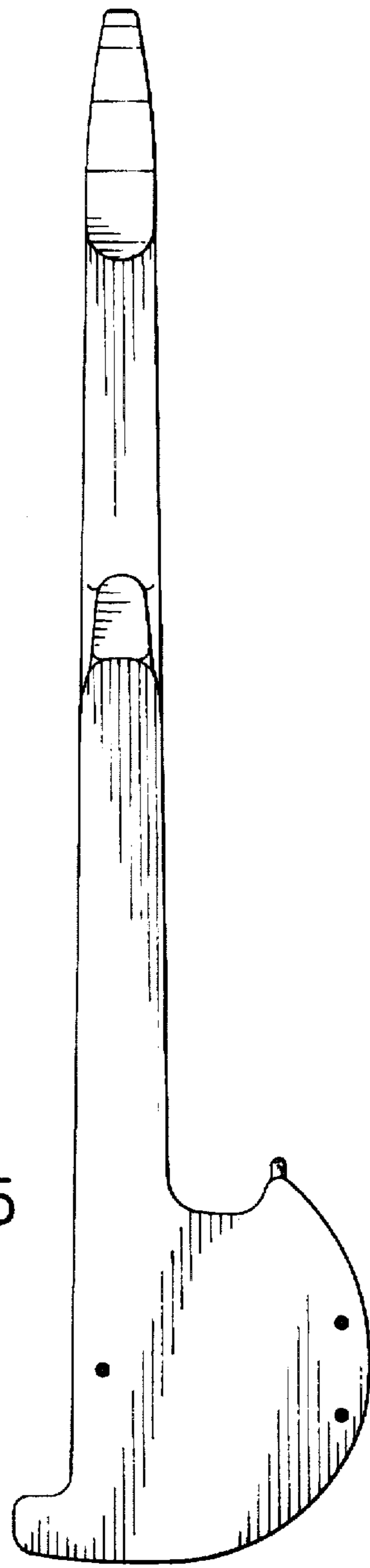


FIG. 5

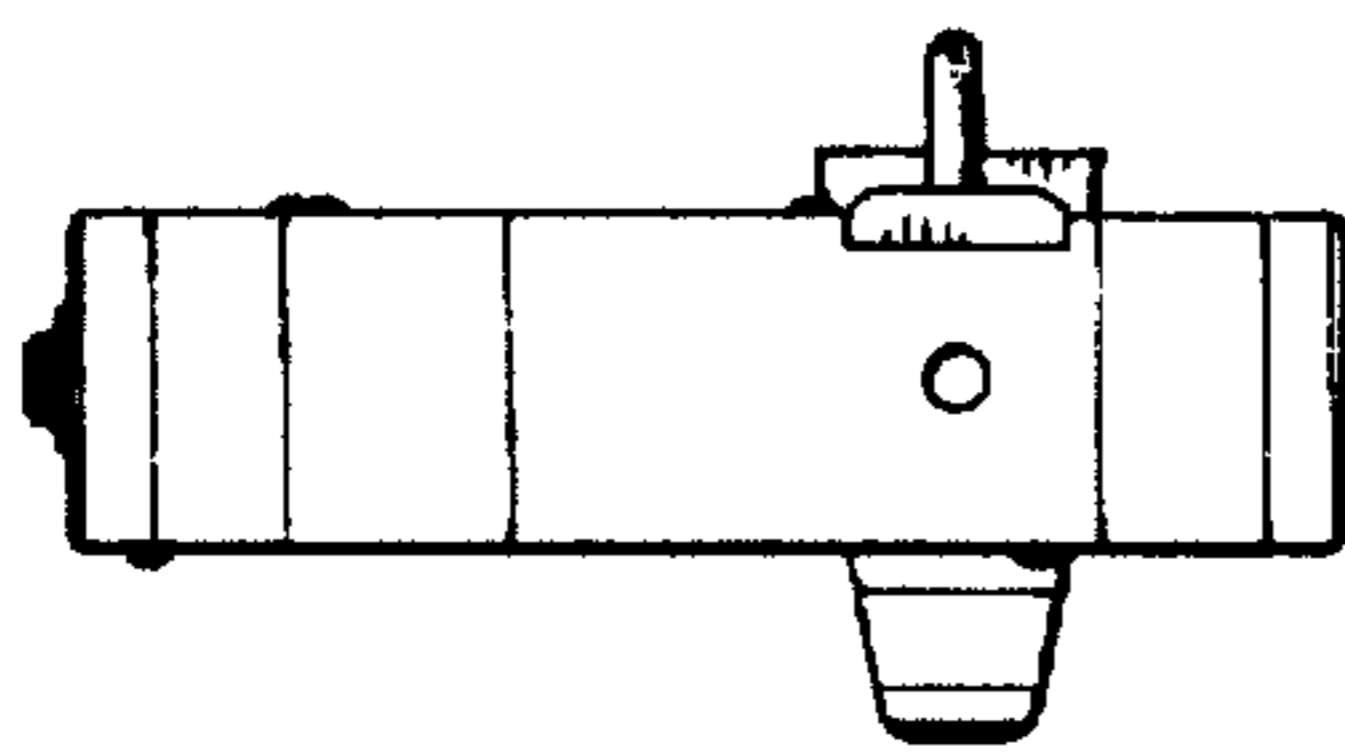


FIG. 6

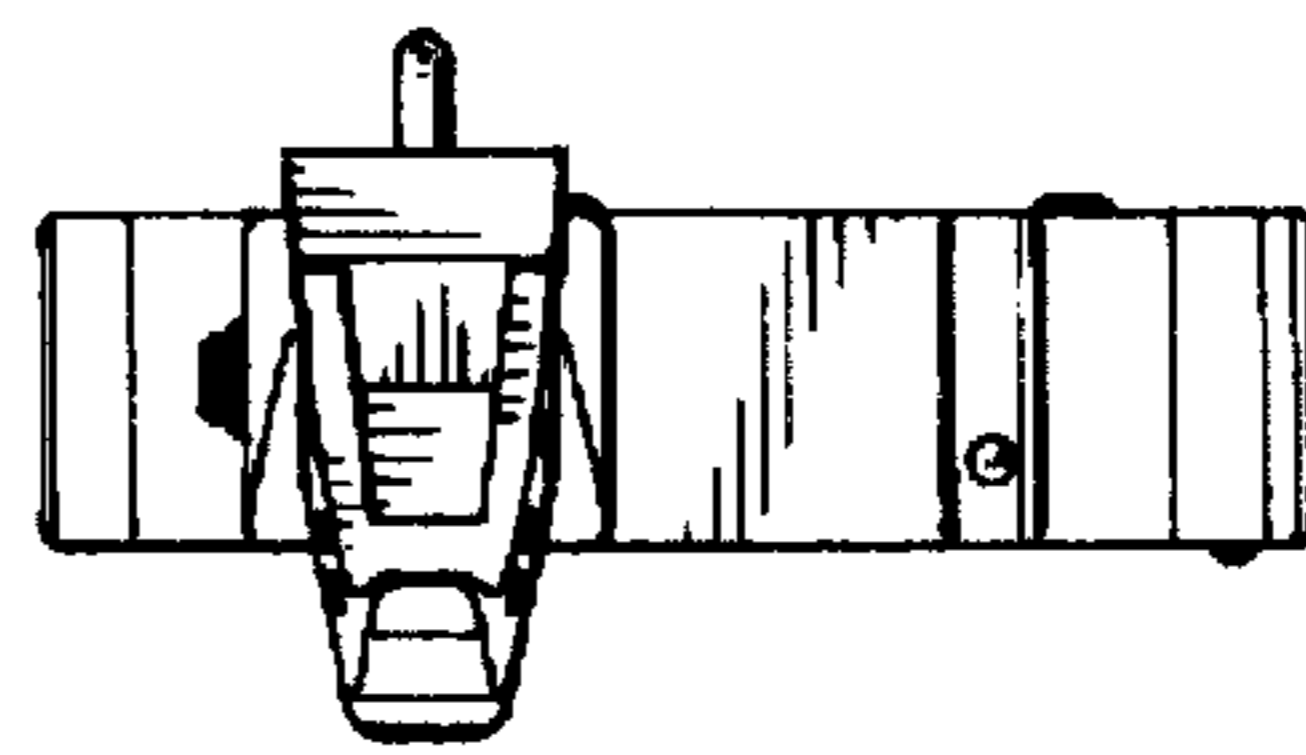


FIG. 7