



US00D385900S

United States Patent [19]
Lyle

[11] **Patent Number:** **Des. 385,900**
[45] **Date of Patent:** ****Nov. 4, 1997**

[54] **COMBINED MUSIC HOLDER, PAGE
TURNER AND FOOT PEDAL**

[76] **Inventor:** **Rhonda Lyle**, P.O. Box 1101, Bay
Springs, Miss. 39422

[**] **Term:** **14 Years**

[21] **Appl. No.:** **60,407**

[22] **Filed:** **Sep. 27, 1996**

[51] **LOC (6) Cl.** **17-01**

[52] **U.S. Cl.** **D17/9; D17/99**

[58] **Field of Search** **D6/462-465, 419;
D17/9, 99, 20; 84/486, 489**

[56] **References Cited**

U.S. PATENT DOCUMENTS

D. 321,610	11/1991	Rienecker	D6/419
1,028,270	6/1912	Pfarhofer	84/486
1,716,693	6/1929	Halemeyer	84/486
4,072,080	2/1978	Conlin	84/486

Primary Examiner—Philip S. Hyder
Assistant Examiner—Adir Aronovich
Attorney, Agent, or Firm—Harold H. Dutton, Jr.

[57] **CLAIM**

The ornamental design for a combined music holder, page turner and foot pedal, as shown and described.

DESCRIPTION

FIG. 1 is a perspective view of a music holder and page turner showing my new design;
FIG. 2 is a front view thereof, the foot pedal being omitted for ease of illustration;
FIG. 3 is a rear view thereof;
FIG. 4 is a left view thereof;
FIG. 5 is a right view thereof;
FIG. 6 is a top view thereof;
FIG. 7 is a bottom view thereof;
FIG. 8 is a front view of the foot pedal, the music holder and page turner being omitted for ease of illustration;
FIG. 9 is a rear view thereof;
FIG. 10 is a right view thereof;
FIG. 11 is a left view thereof;
FIG. 12 is a top view thereof; and,
FIG. 13 is a bottom view thereof.

1 Claim, 7 Drawing Sheets

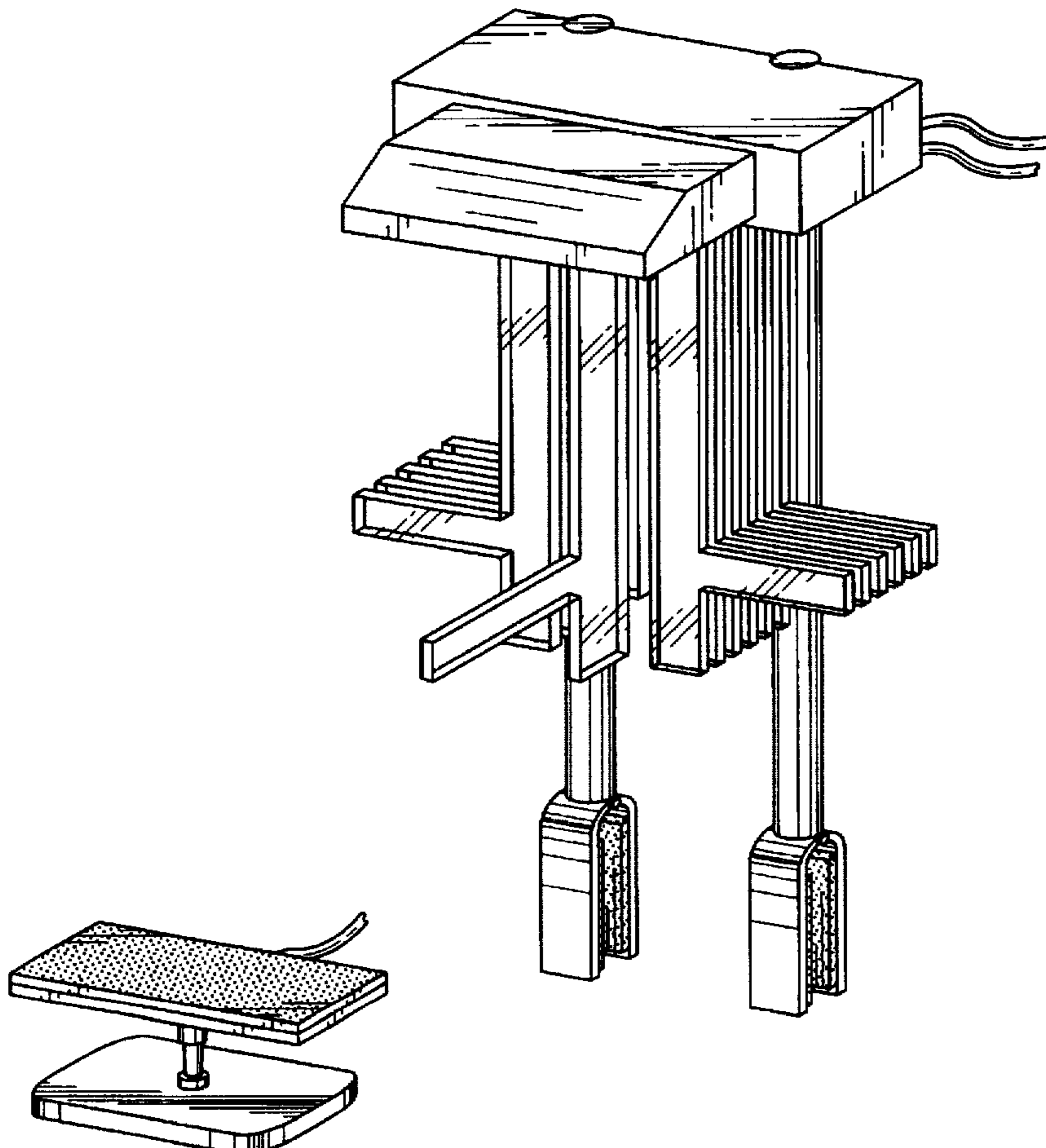
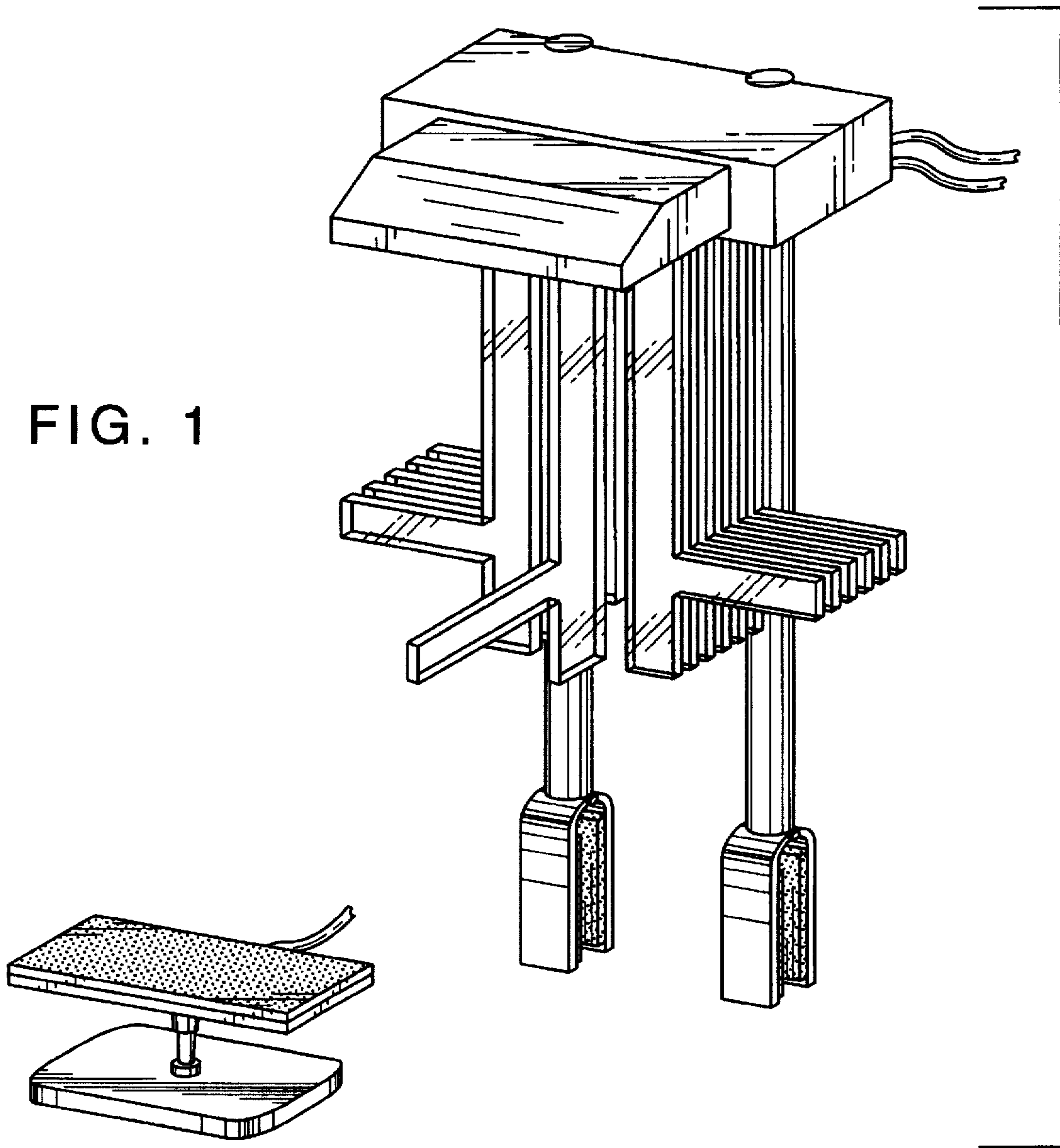


FIG. 1



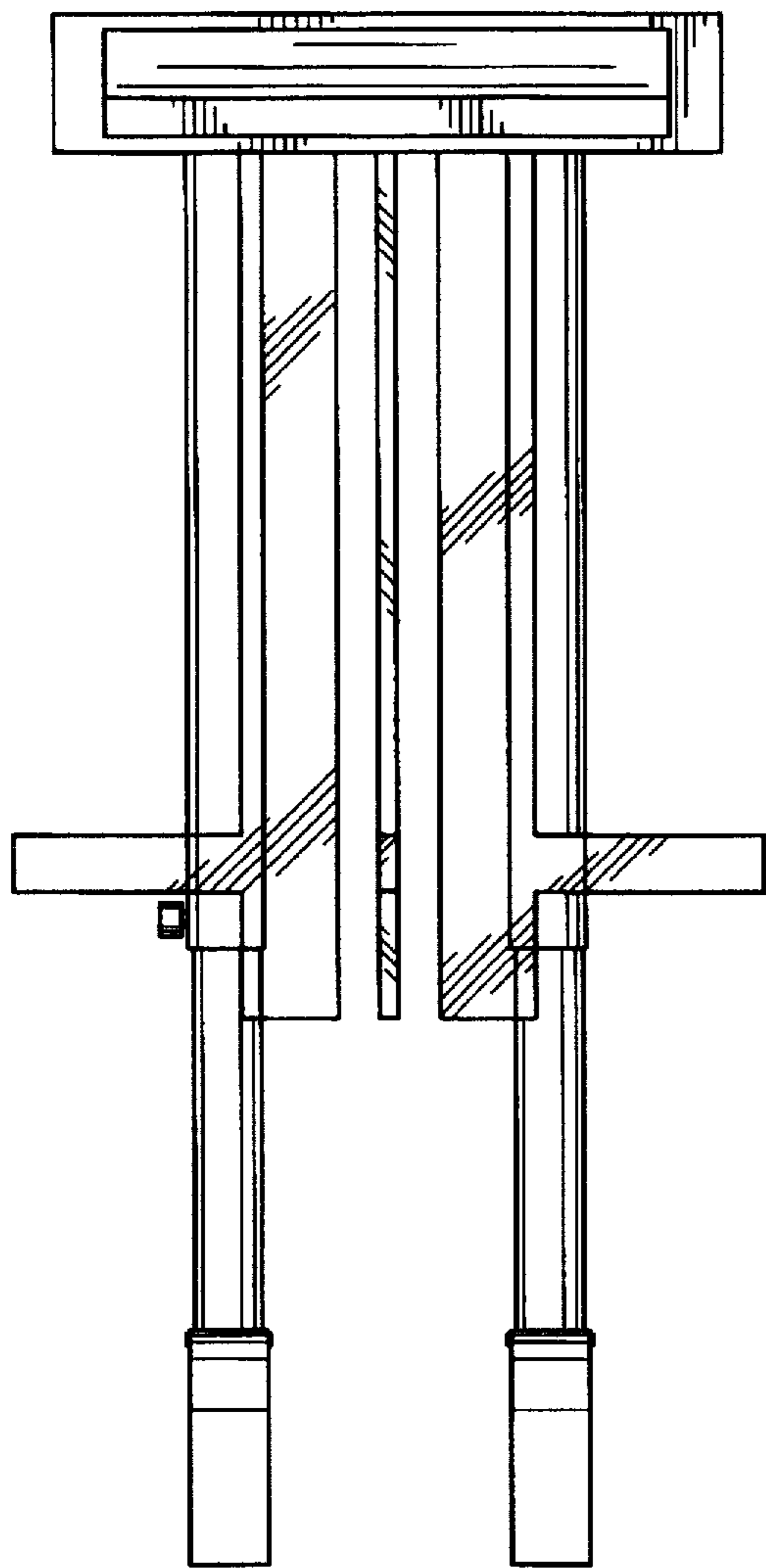
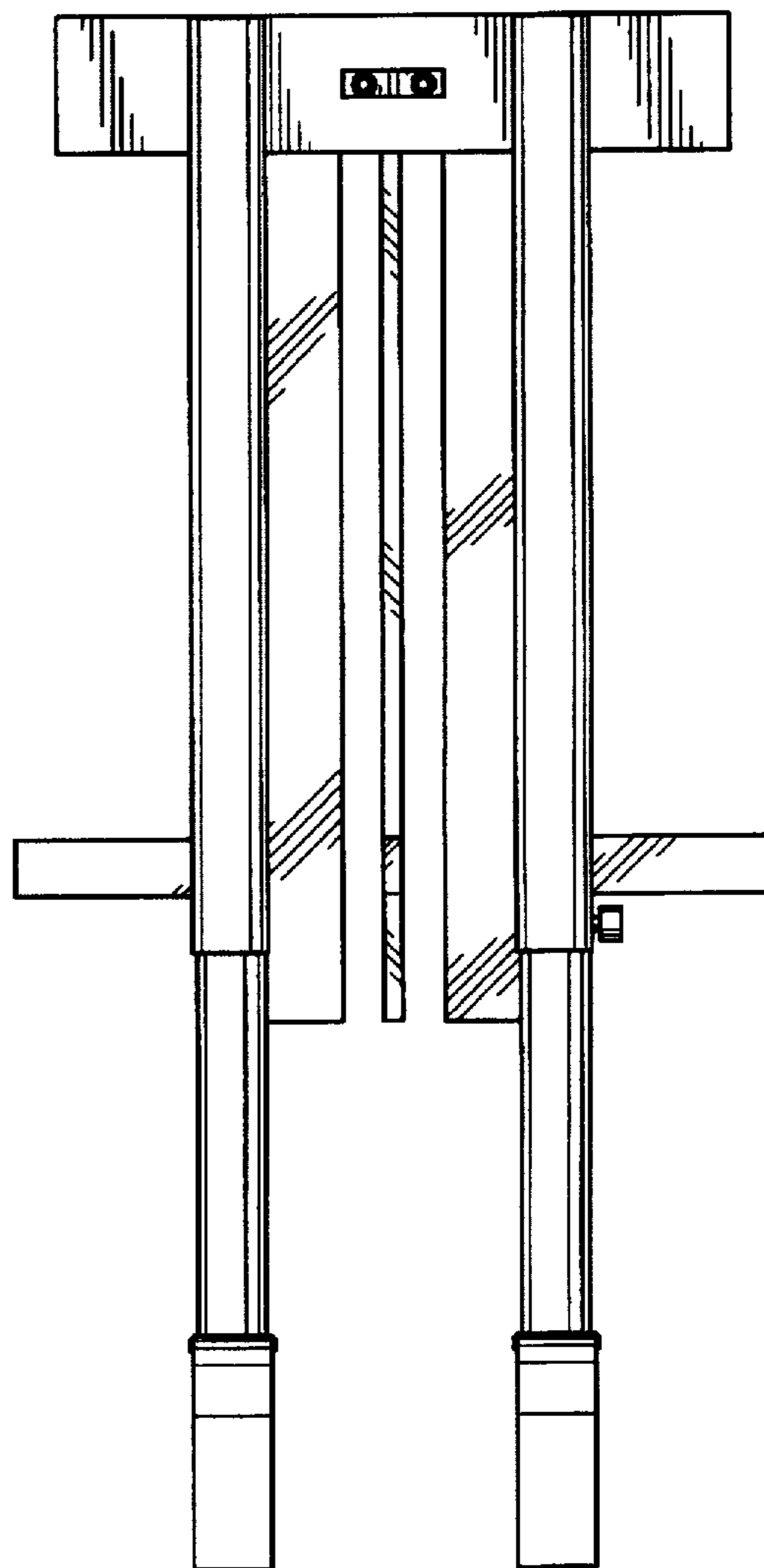


FIG. 2

FIG. 3



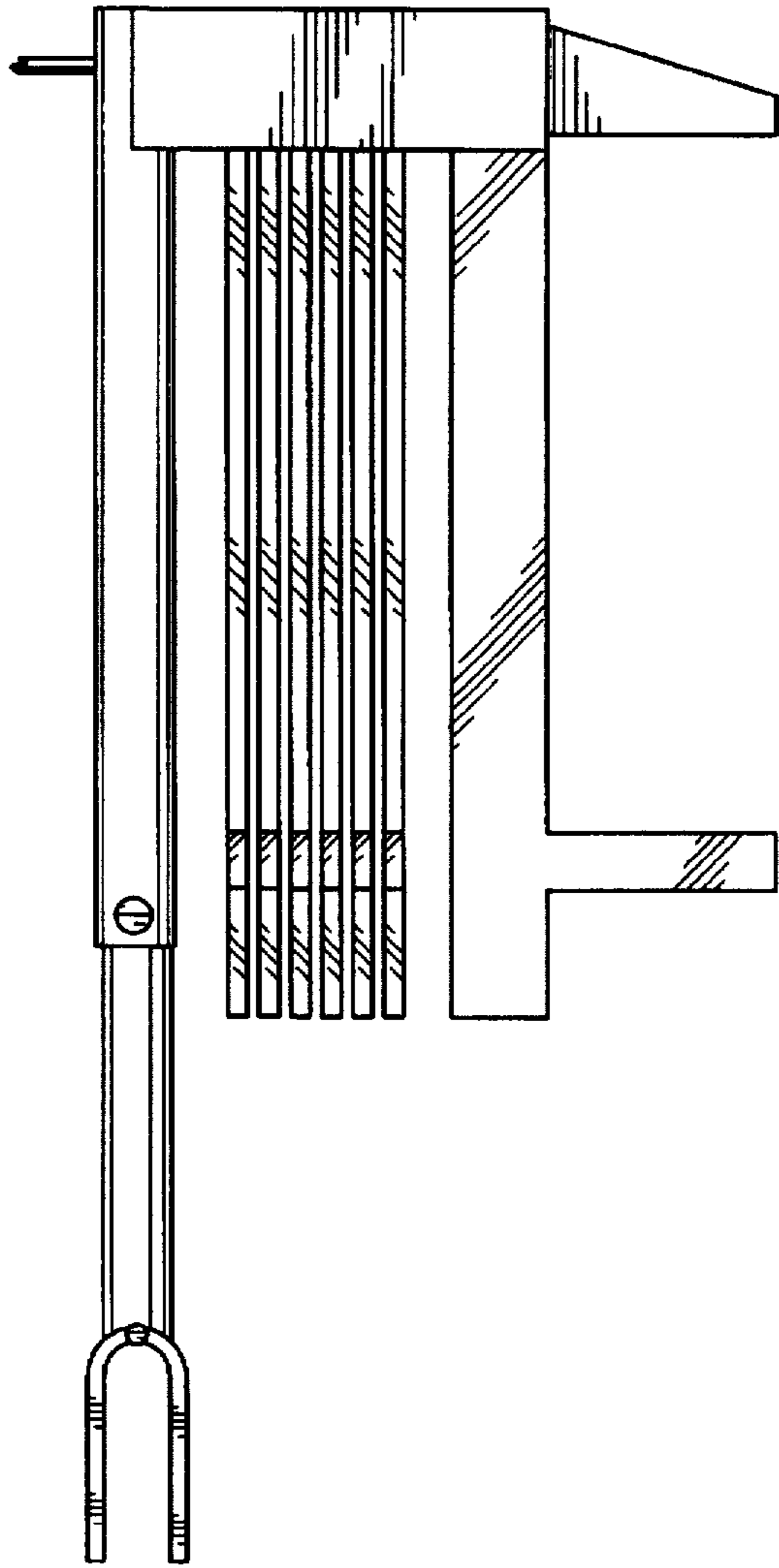
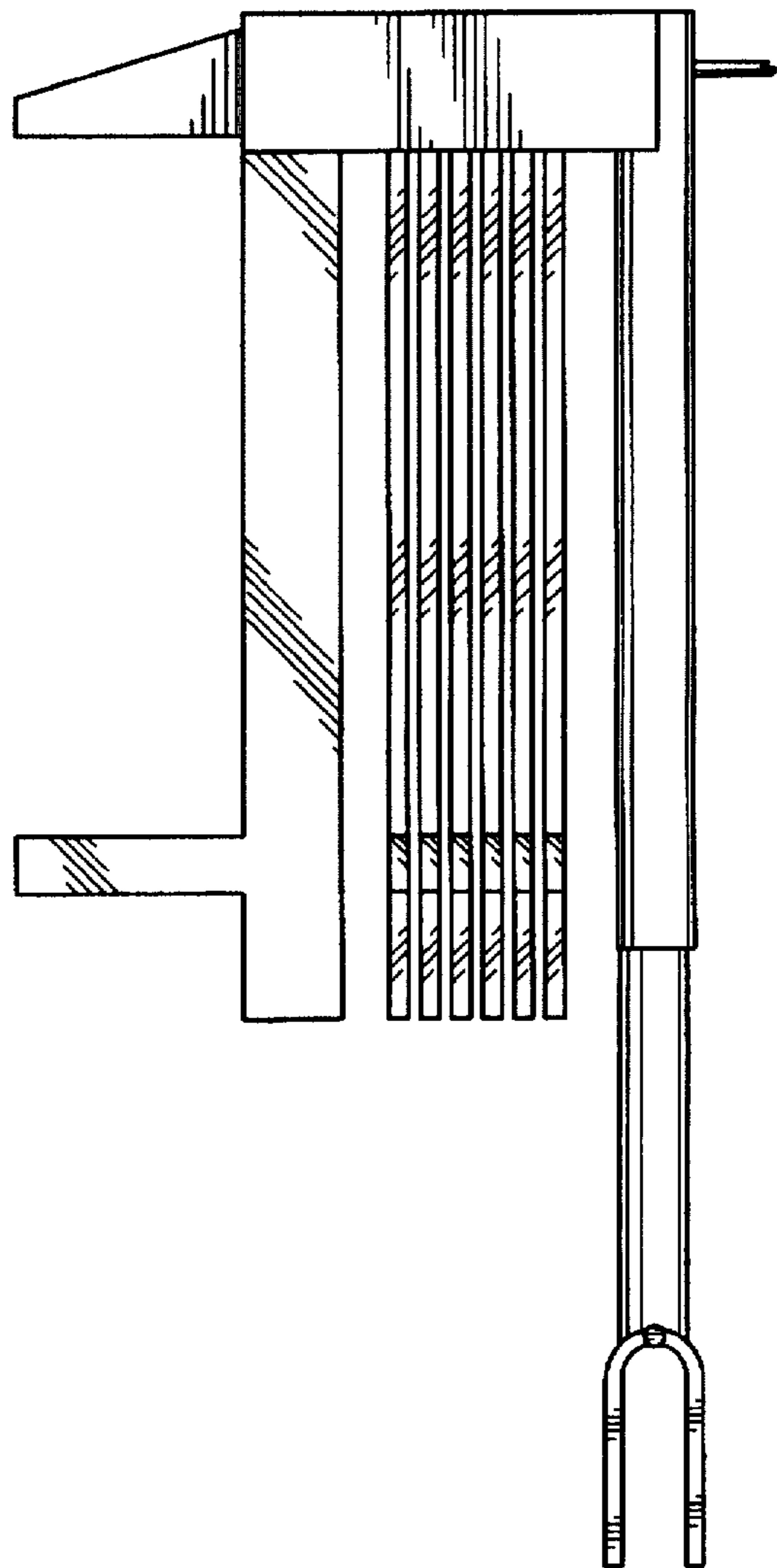


FIG. 4

FIG. 5



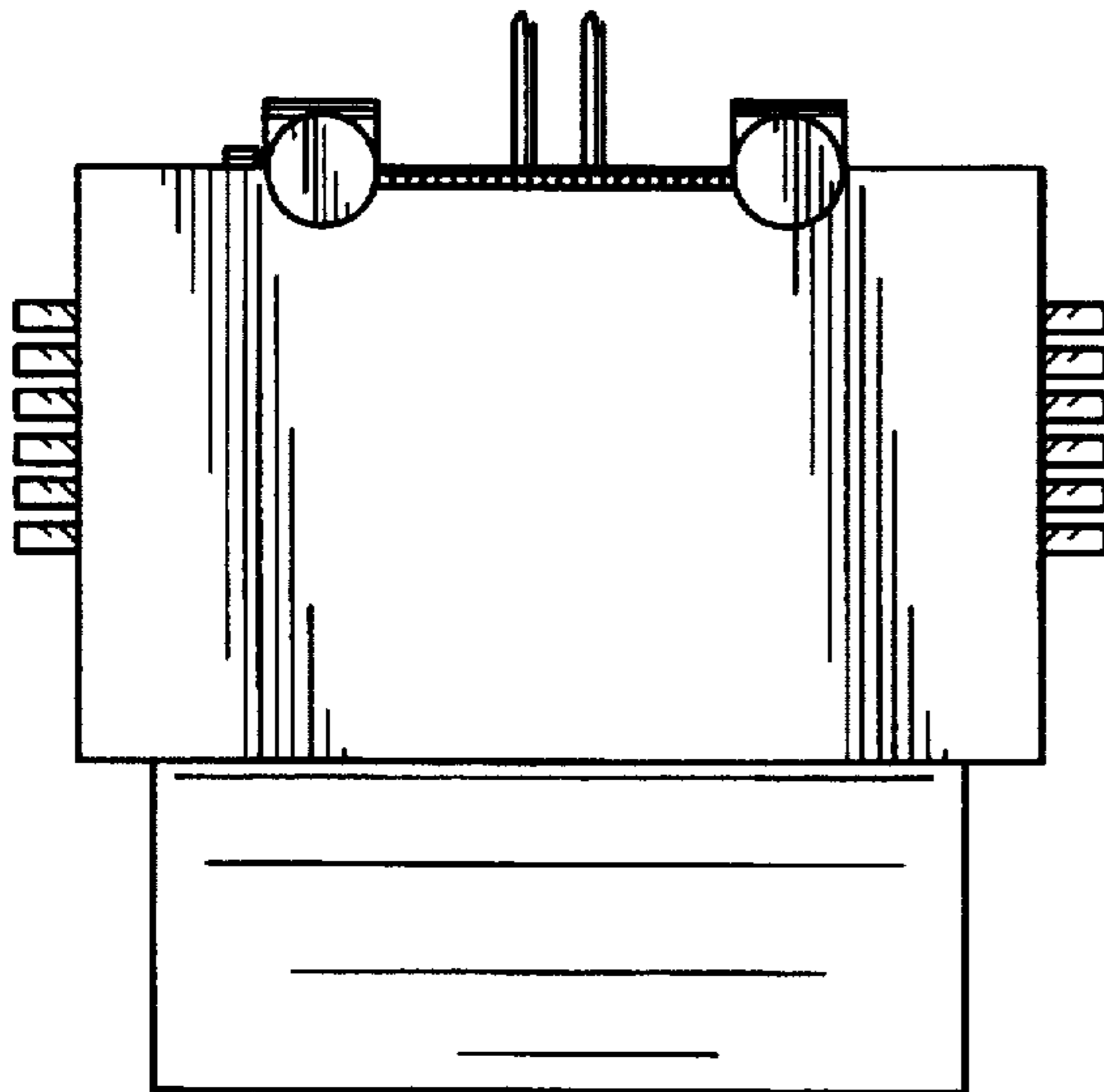


FIG. 6

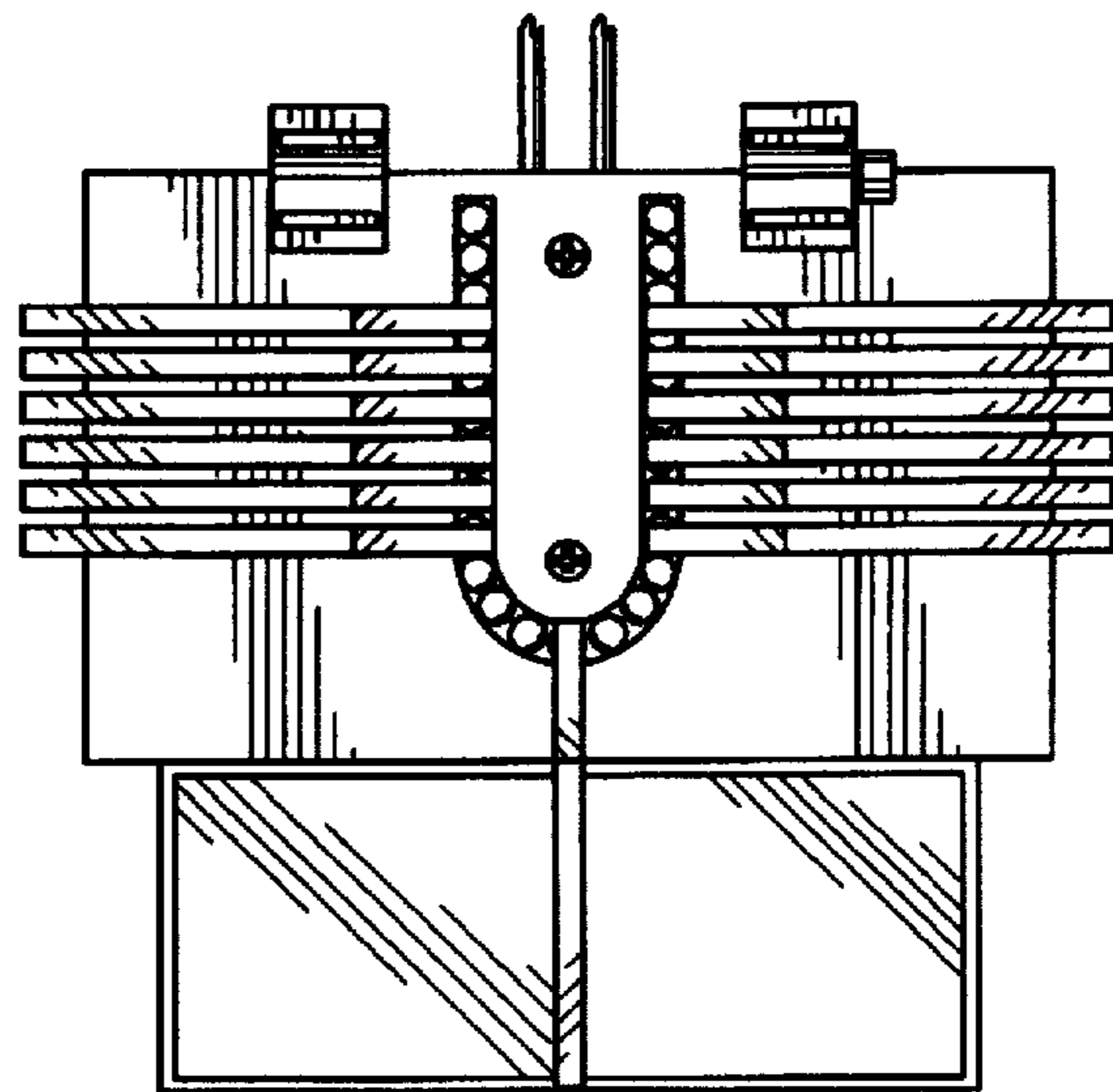


FIG. 7

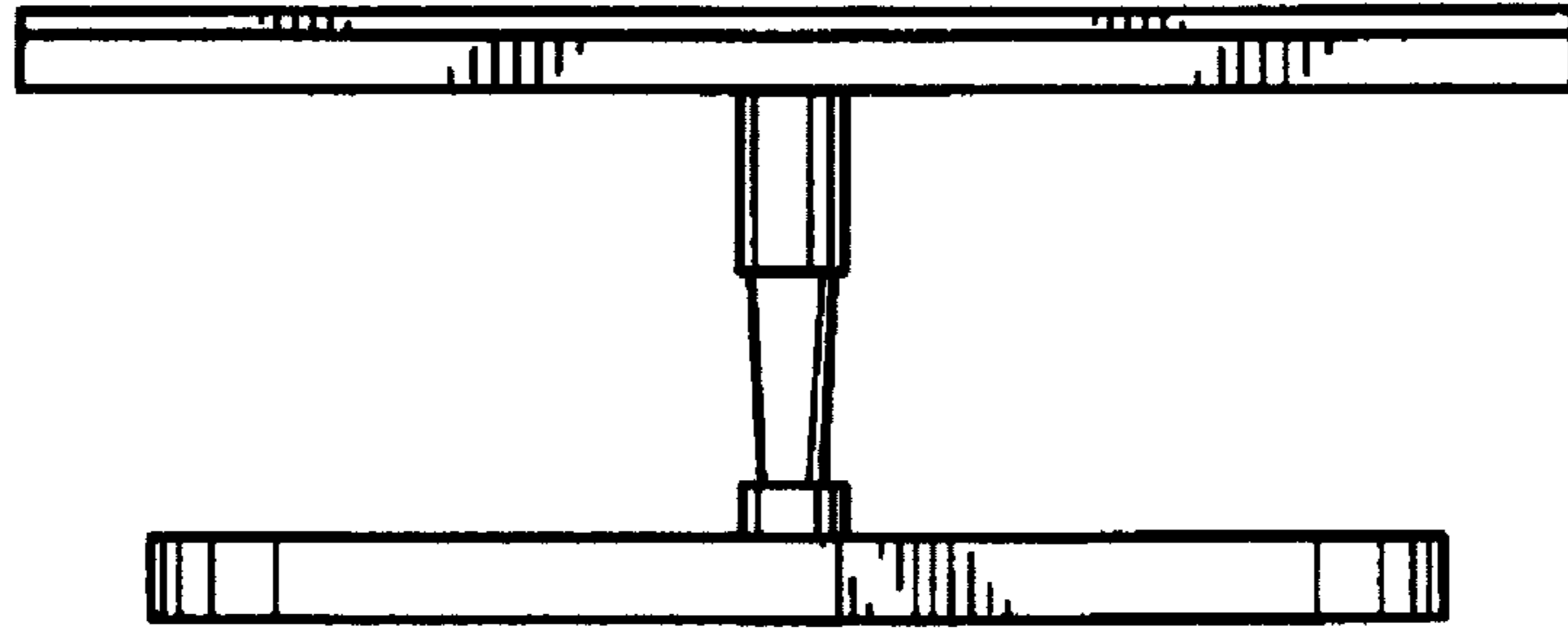


FIG. 8

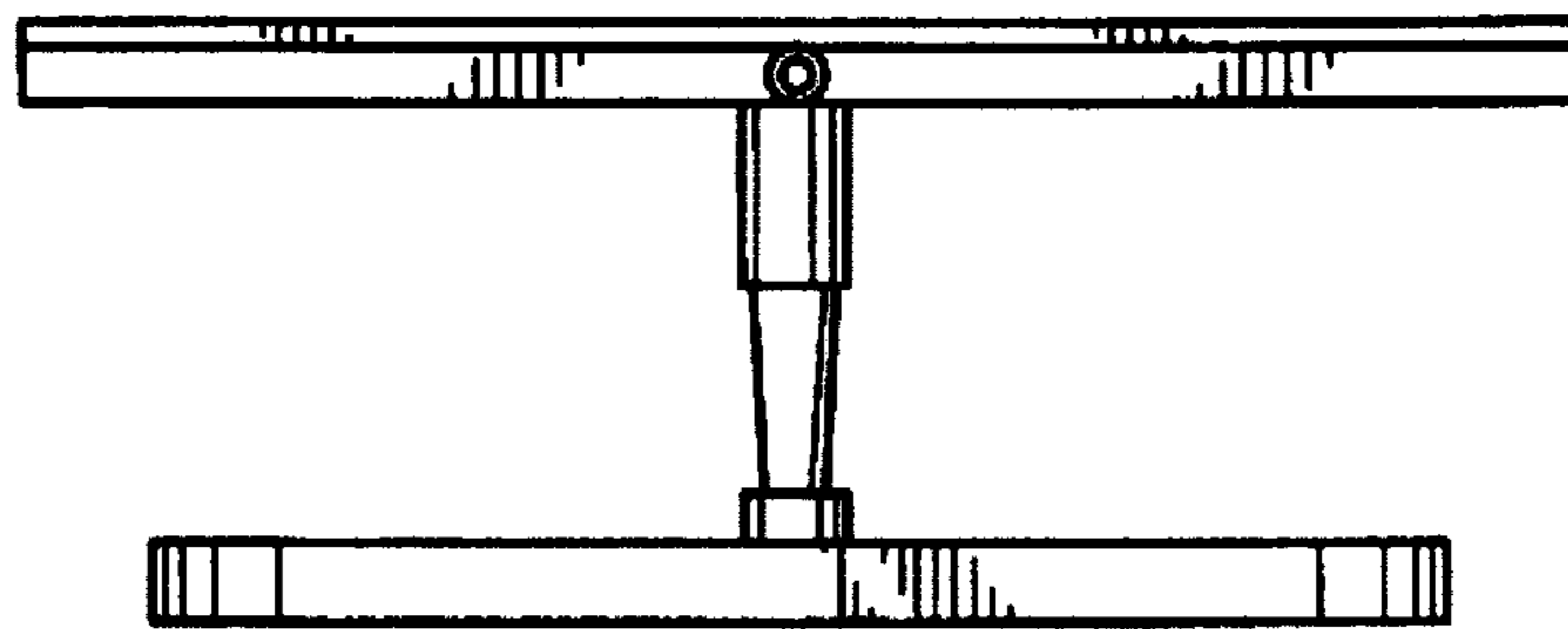


FIG. 9

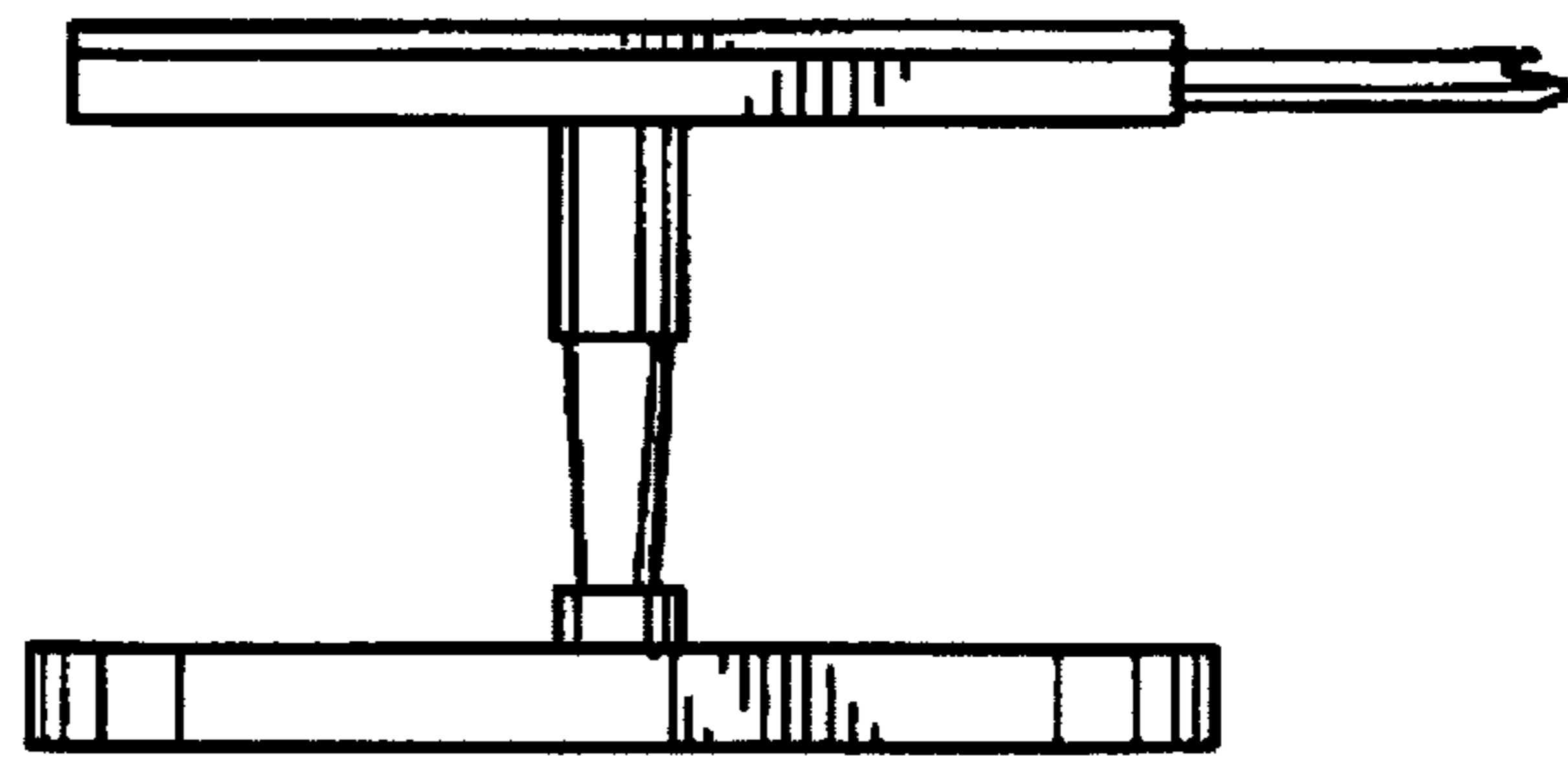


FIG. 10

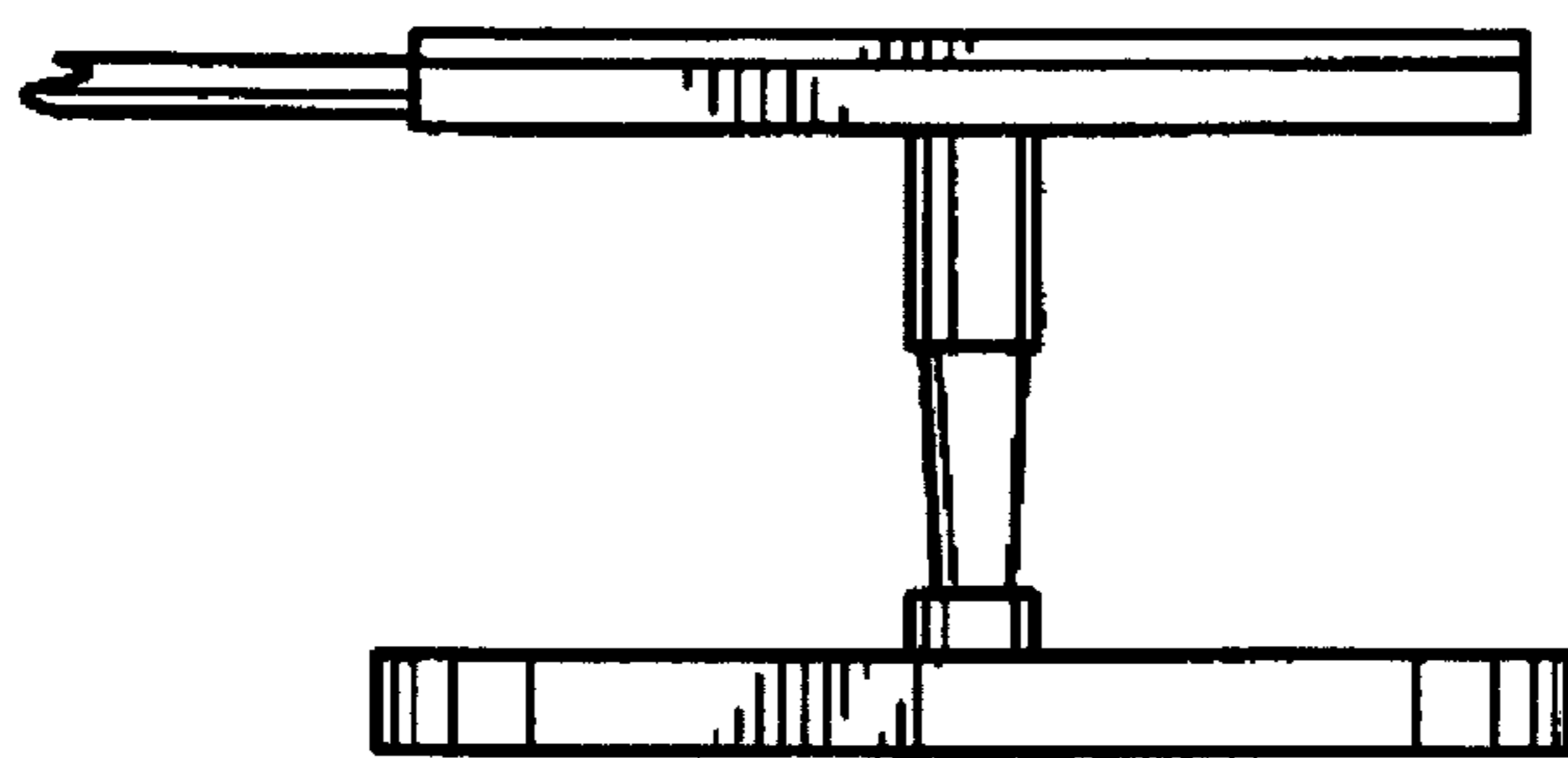


FIG. 11

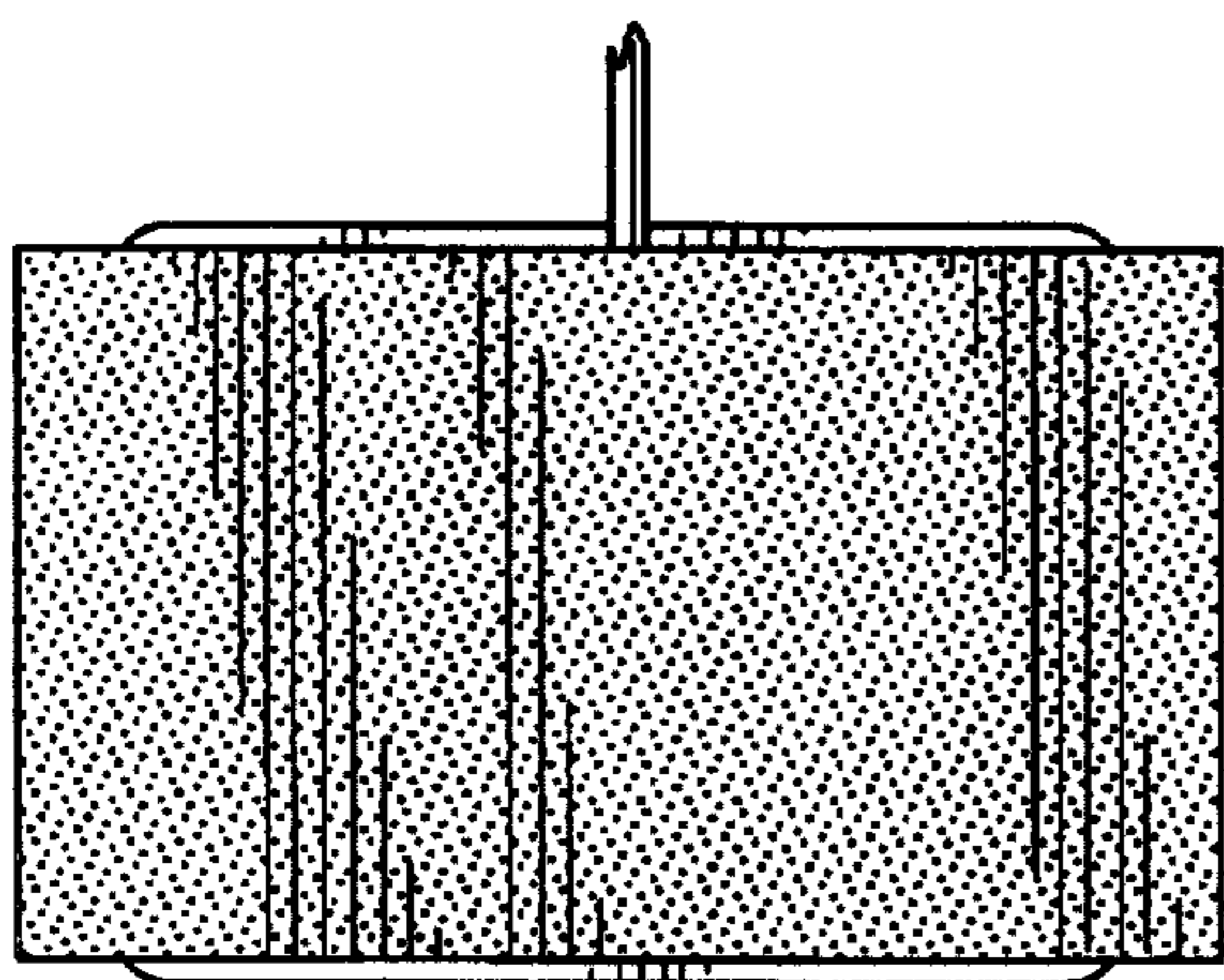


FIG. 12

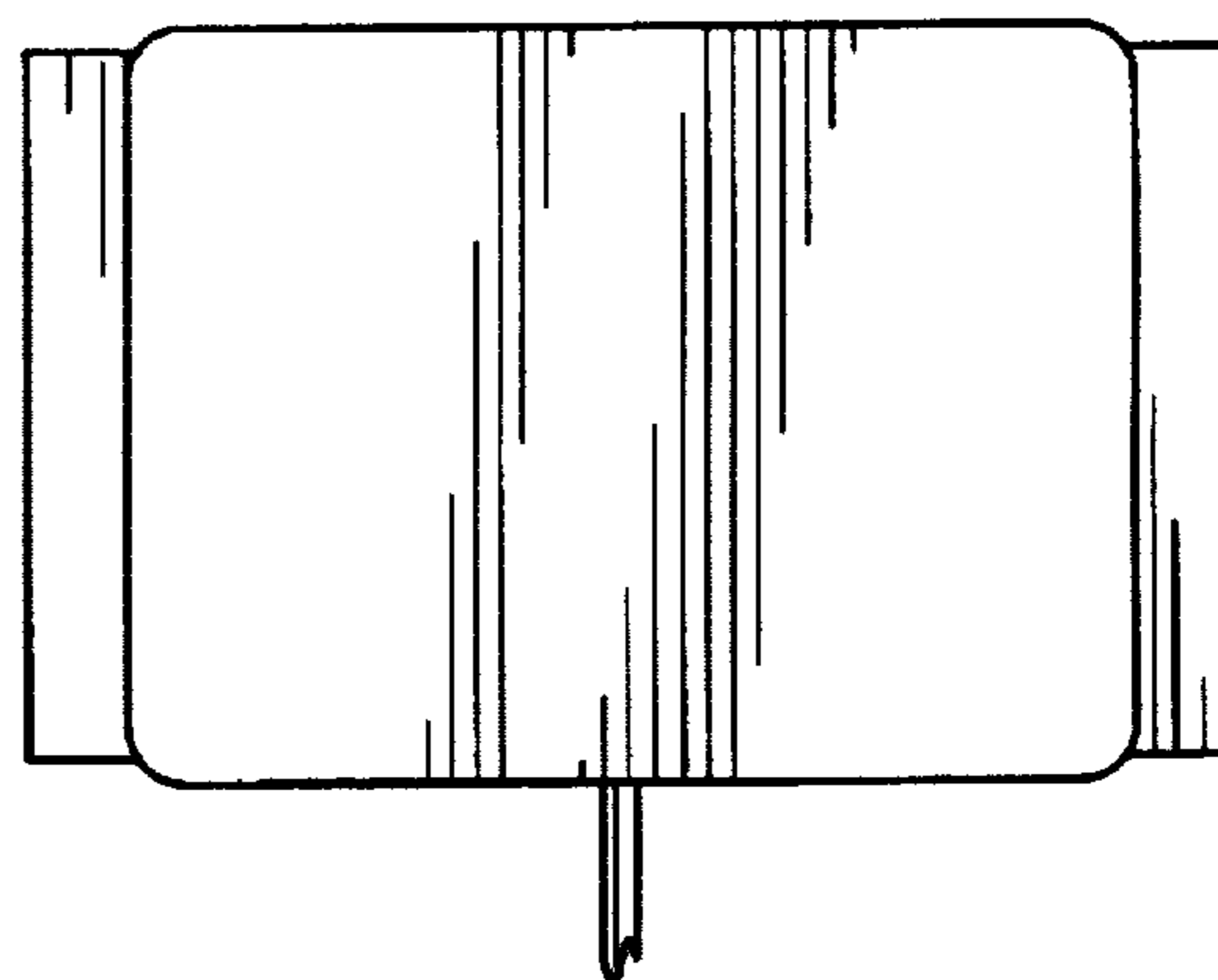


FIG. 13