



US00D385893S

United States Patent [19]

Yamamoto

[11] Patent Number: **Des. 385,893**

[45] Date of Patent: ****Nov. 4, 1997**

[54] **PACKING ASSIST APPARATUS**

5,048,266 9/1991 Wieckowicz 53/571 X

[75] Inventor: **Kohei Yamamoto**, Fukuoka, Japan

Primary Examiner—Antoine Duval Davis
Attorney, Agent, or Firm—Birch, Stewart, Kolasch & Birch, LLP

[73] Assignee: **Fukuoka Marumoto Co., Ltd.**,
Fukuoka, Japan

[**] Term: **14 Years**

[57] **CLAIM**

[21] Appl. No.: **56,439**

The ornamental design for a packing assist apparatus, as shown and described.

[22] Filed: **Jun. 28, 1996**

DESCRIPTION

[30] **Foreign Application Priority Data**

Dec. 28, 1995 [JP] Japan 7-39464

FIG. 1 is front perspective view of a packing assist apparatus showing the new design;

[51] LOC (6) Cl. **15-99**

FIG. 2 is a front elevation thereof;

[52] U.S. Cl. **D15/145**

FIG. 3 is a rear elevation thereof;

[58] **Field of Search** D15/145; 53/469,
53/468, 570, 571, 572, 573, 385, 384, 386,
381 R, 505, 506, 390; 141/114, 10, 313,
316

FIG. 4 is a top elevation thereof;

FIG. 5 is a bottom elevation thereof;

FIG. 6 is a left side elevation thereof; and,

FIG. 7 is a right side elevation thereof.

[56] **References Cited**

U.S. PATENT DOCUMENTS

3,986,322 10/1976 Taylor 53/571

1 Claim, 3 Drawing Sheets

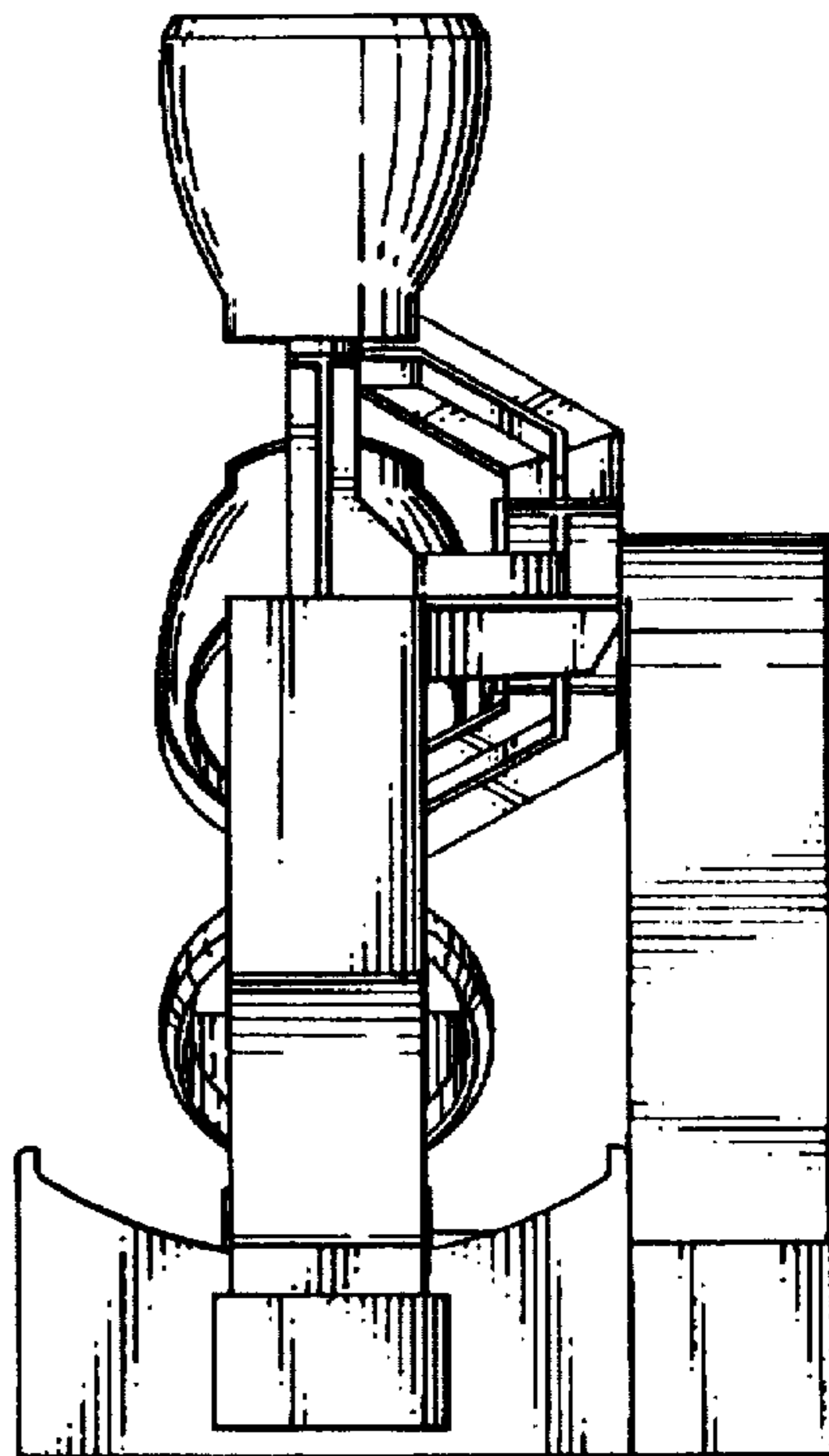
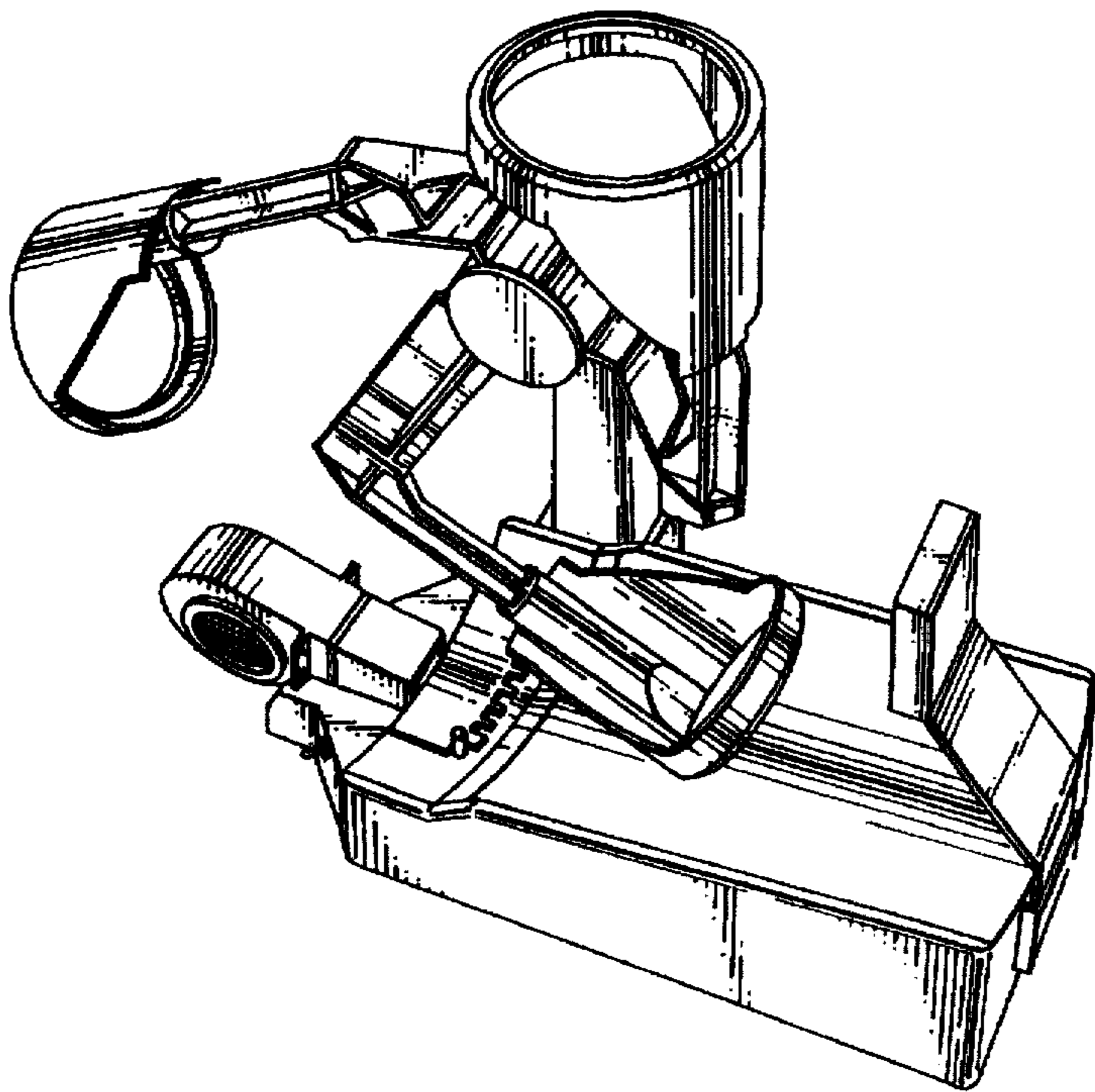


FIG 1

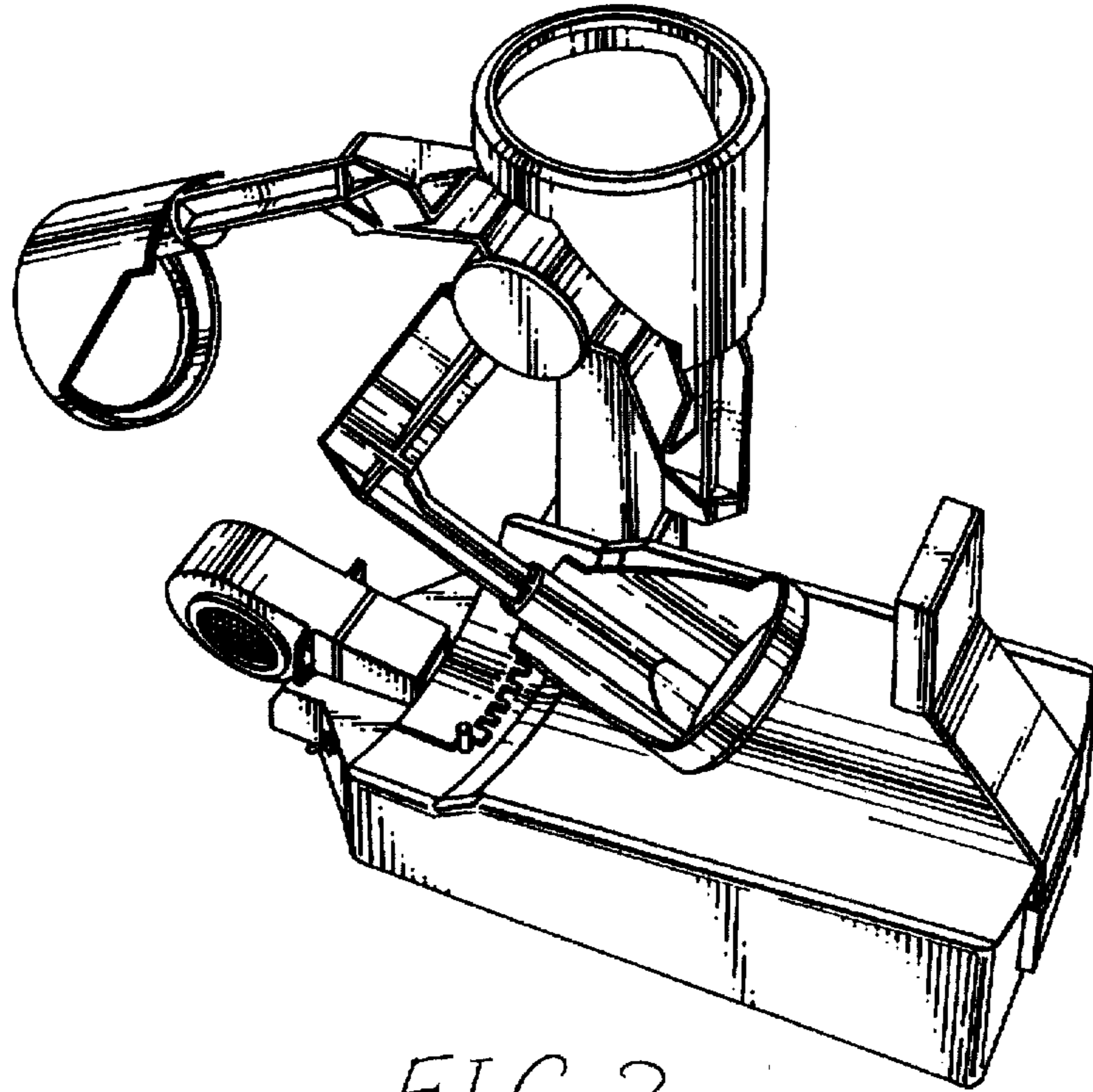


FIG 2

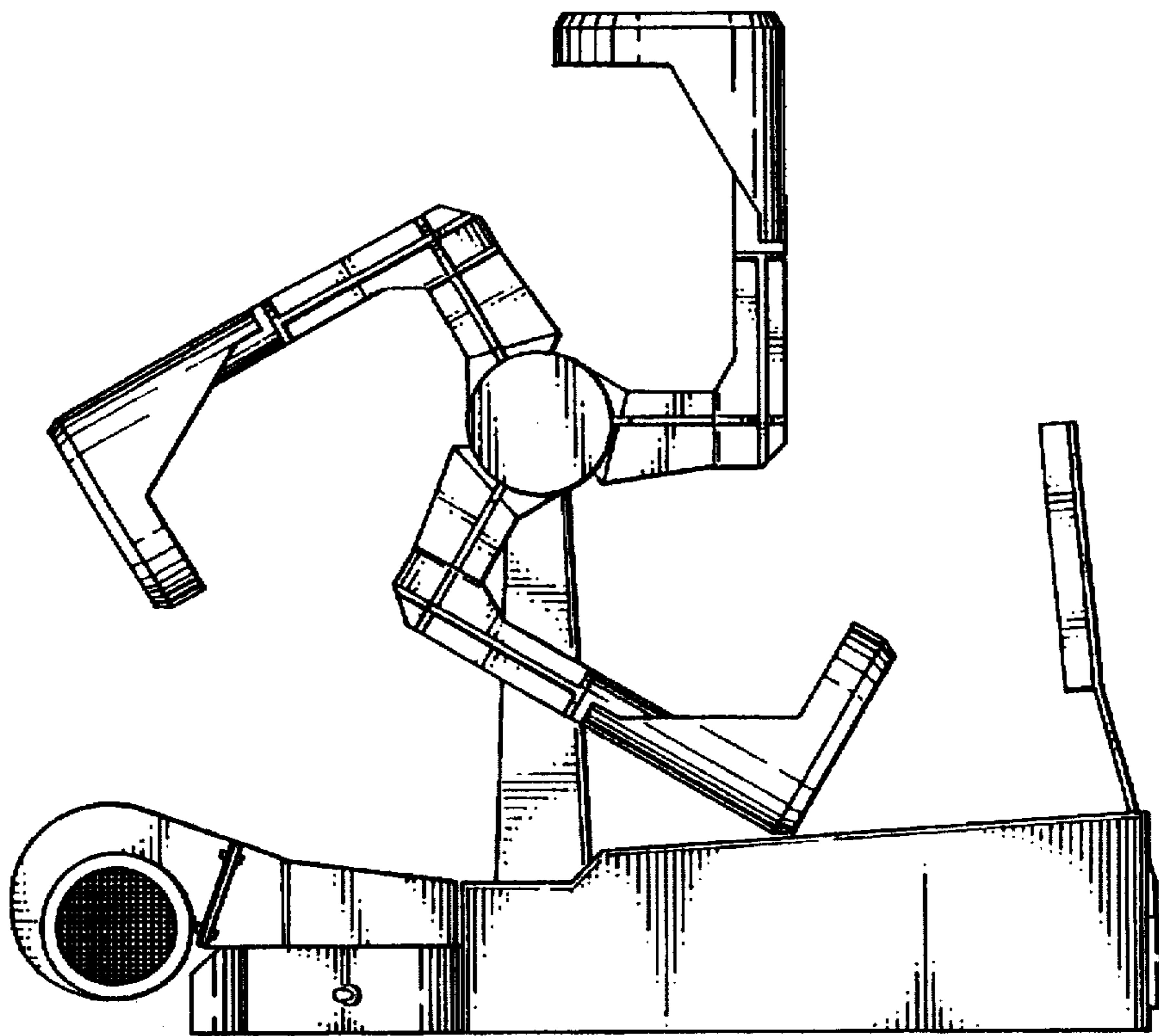


FIG 3

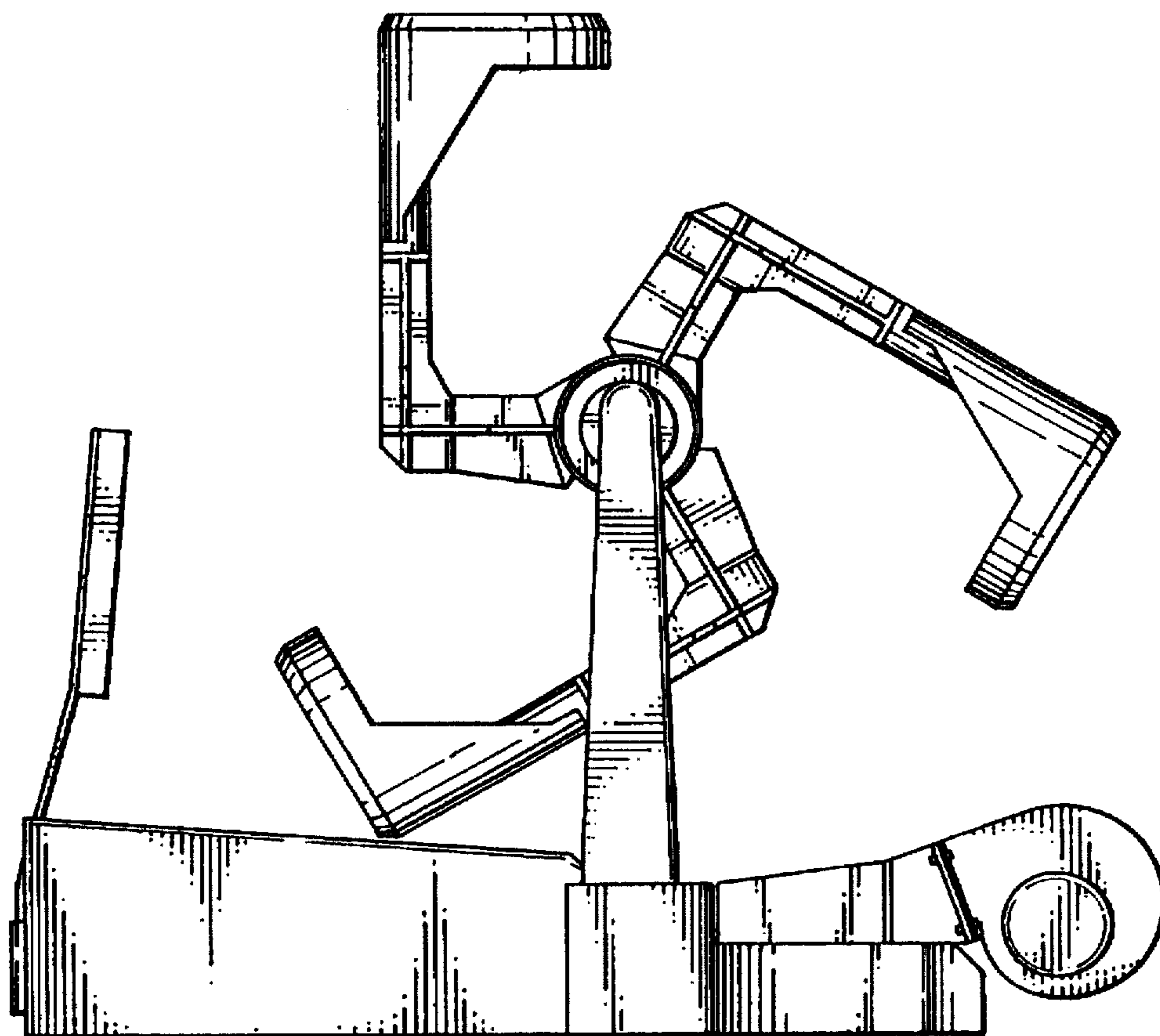


FIG 4

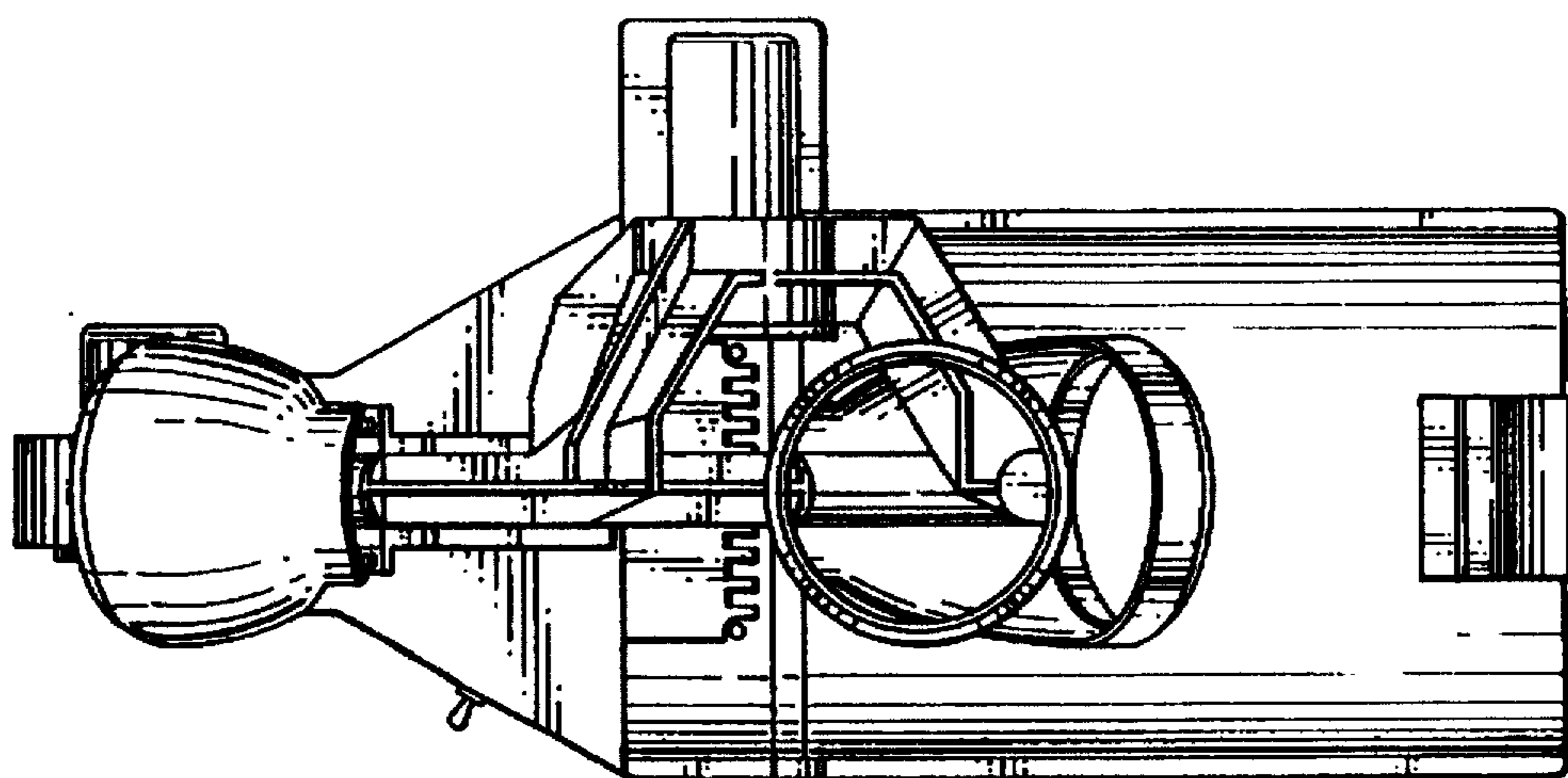


FIG 5

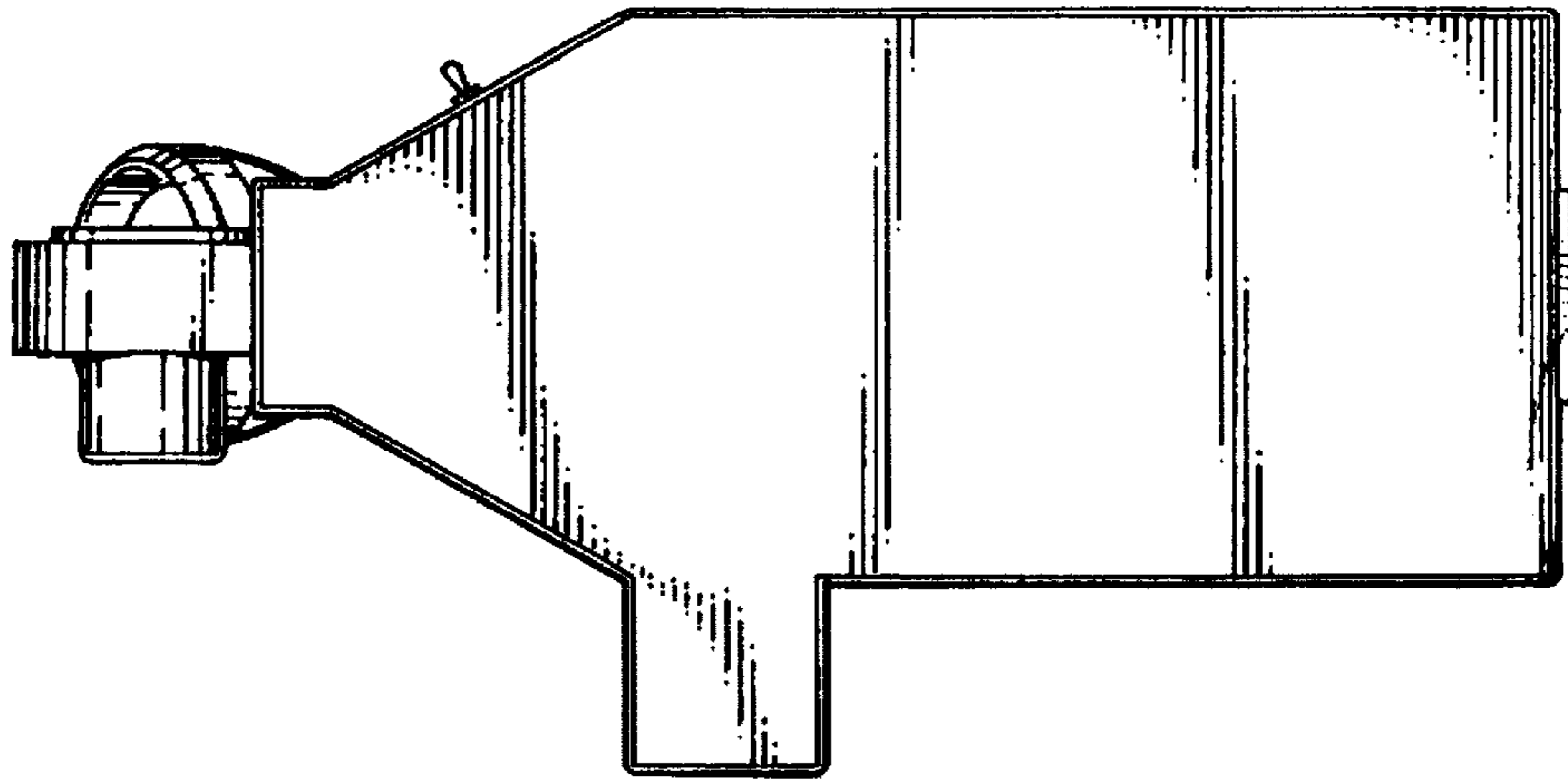


FIG 6

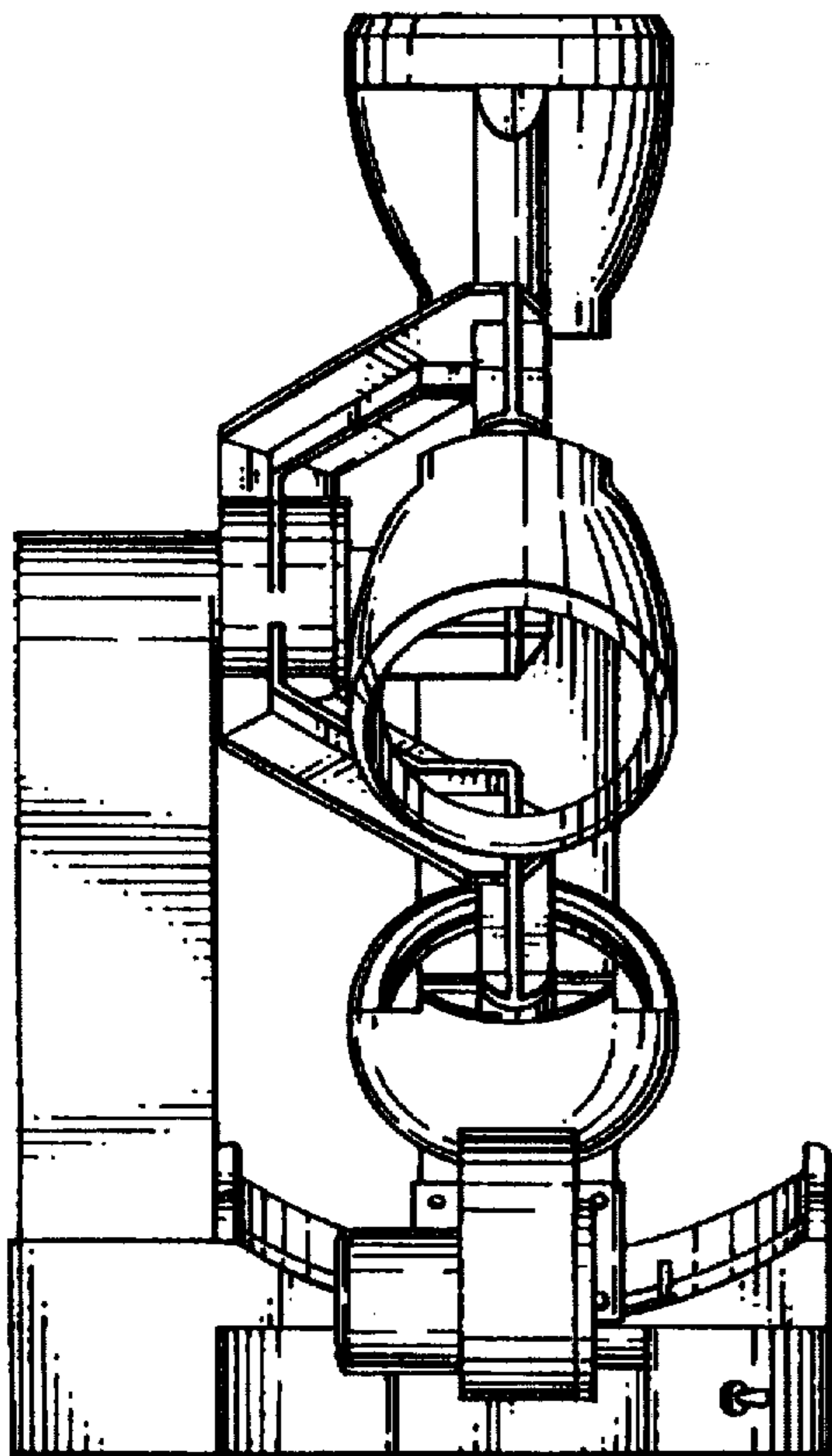


FIG 7

