



US00D385891S

**United States Patent** [19]  
**Williams**

[11] **Patent Number:** **Des. 385,891**  
[45] **Date of Patent:** **\*\*Nov. 4, 1997**

[54] **PETROLEUM DELIVERY TRUCK FUEL DELIVERY SYSTEM**

4,981,272 1/1991 Cutore .  
5,271,657 12/1993 Lockett .

[75] **Inventor:** **J. E. Williams**, Chandler, N.C.

*Primary Examiner*—Ralf Seifert  
*Attorney, Agent, or Firm*—Shefte, Pinckney & Sawyer

[73] **Assignee:** **Spatco**, Chandler, N.C.

[57] **CLAIM**

[\*\*] **Term:** **14 Years**

The ornamental design for a petroleum delivery truck fuel delivery system, as shown and described.

[21] **Appl. No.:** **38,923**

[22] **Filed:** **May 16, 1995**

**DESCRIPTION**

[51] **LOC (6) Cl.** ..... **15-02**

[52] **U.S. Cl.** ..... **D15/9.1**

[58] **Field of Search** ..... D15/7, 9.1; 137/355.12,  
137/899.3; 244/135 A, 135 R; D13/100;  
280/838

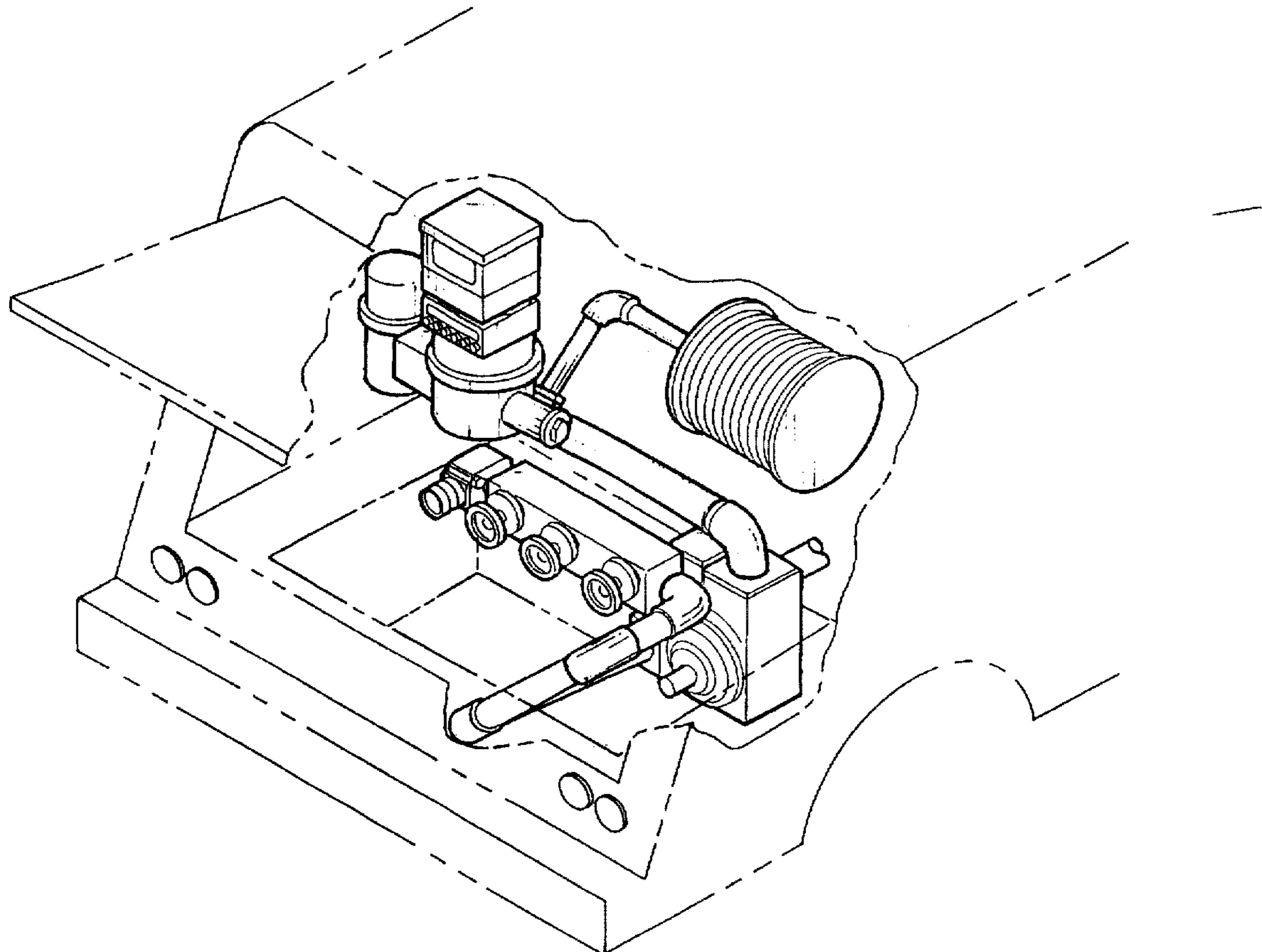
FIG. 1 is a perspective view of a petroleum delivery truck fuel delivery system shown my new design;  
FIG. 2 is a rear view of the petroleum delivery truck fuel delivery system illustrated in FIG. 1;  
FIG. 3 is a right side view of a petroleum delivery truck broken open to reveal the petroleum delivery truck fuel delivery system illustrated in FIG. 1;  
FIG. 4 is a left side view of a petroleum delivery truck broken open to reveal the petroleum delivery truck fuel delivery system illustrated in FIG. 1; and,  
FIG. 5 is a top plan view of a petroleum delivery truck broken open to reveal the petroleum delivery truck fuel delivery system illustrated in FIG. 1.  
The broken line showing of a partial truck shown throughout the drawing disclosure is for illustrative purposes only and forms no part of the claimed design. The bottom and rear views, not shown, form no part of the claimed design.

[56] **References Cited**

**U.S. PATENT DOCUMENTS**

Re. 20,863	9/1938	Holby .	
D. 325,387	4/1992	Rupe .....	D15/7
D. 347,230	5/1994	Ferris et al. ....	D15/9
1,727,207	9/1929	Kramer .	
1,897,164	2/1933	Endacott .	
2,037,020	4/1936	Holby .	
2,315,085	3/1943	Churchward .	
3,563,475	2/1971	Emery et al. .	
4,131,214	12/1978	Rogers .....	280/838
4,772,072	9/1988	Vick, Jr. .	

**1 Claim, 5 Drawing Sheets**



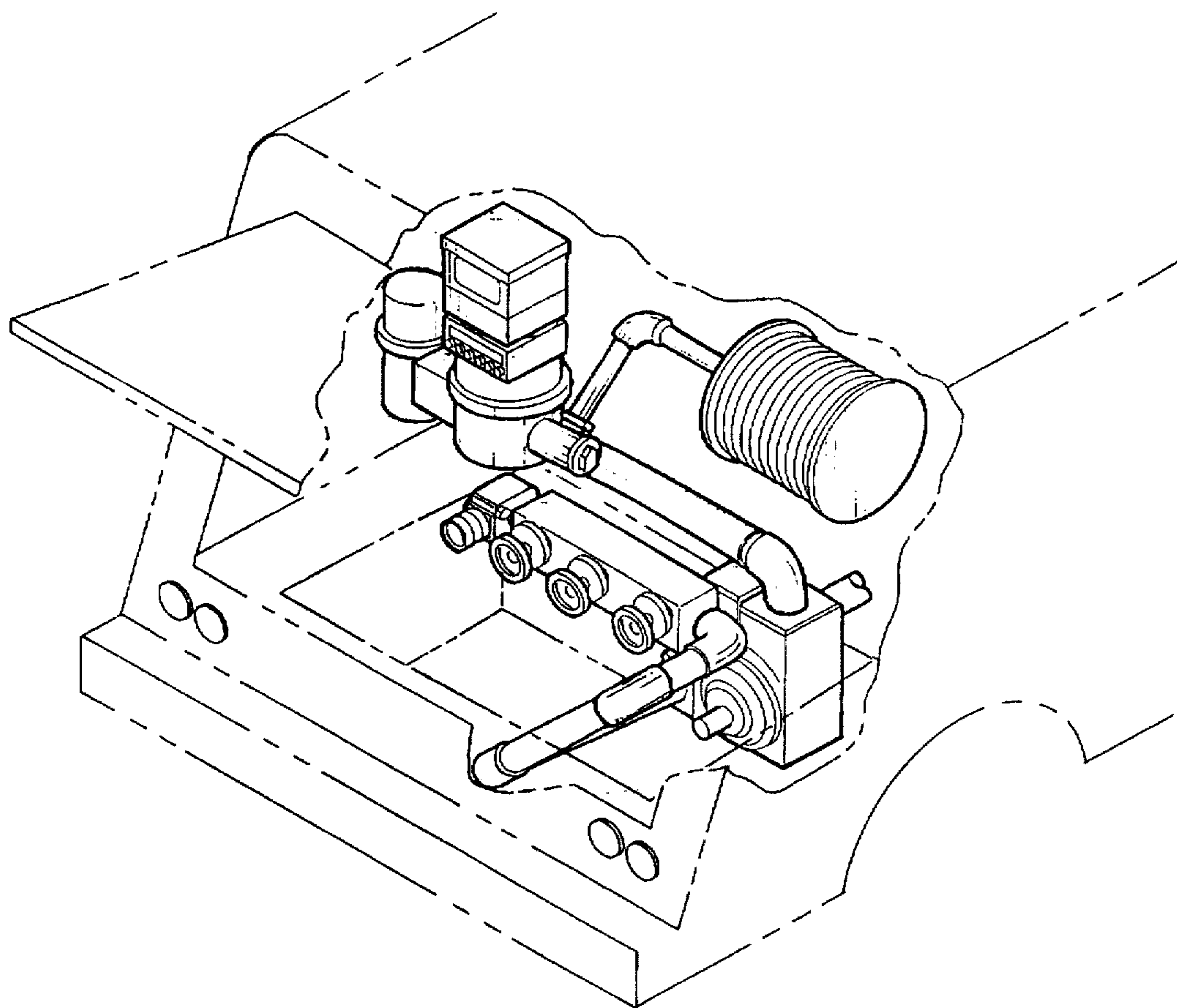


Fig. 1

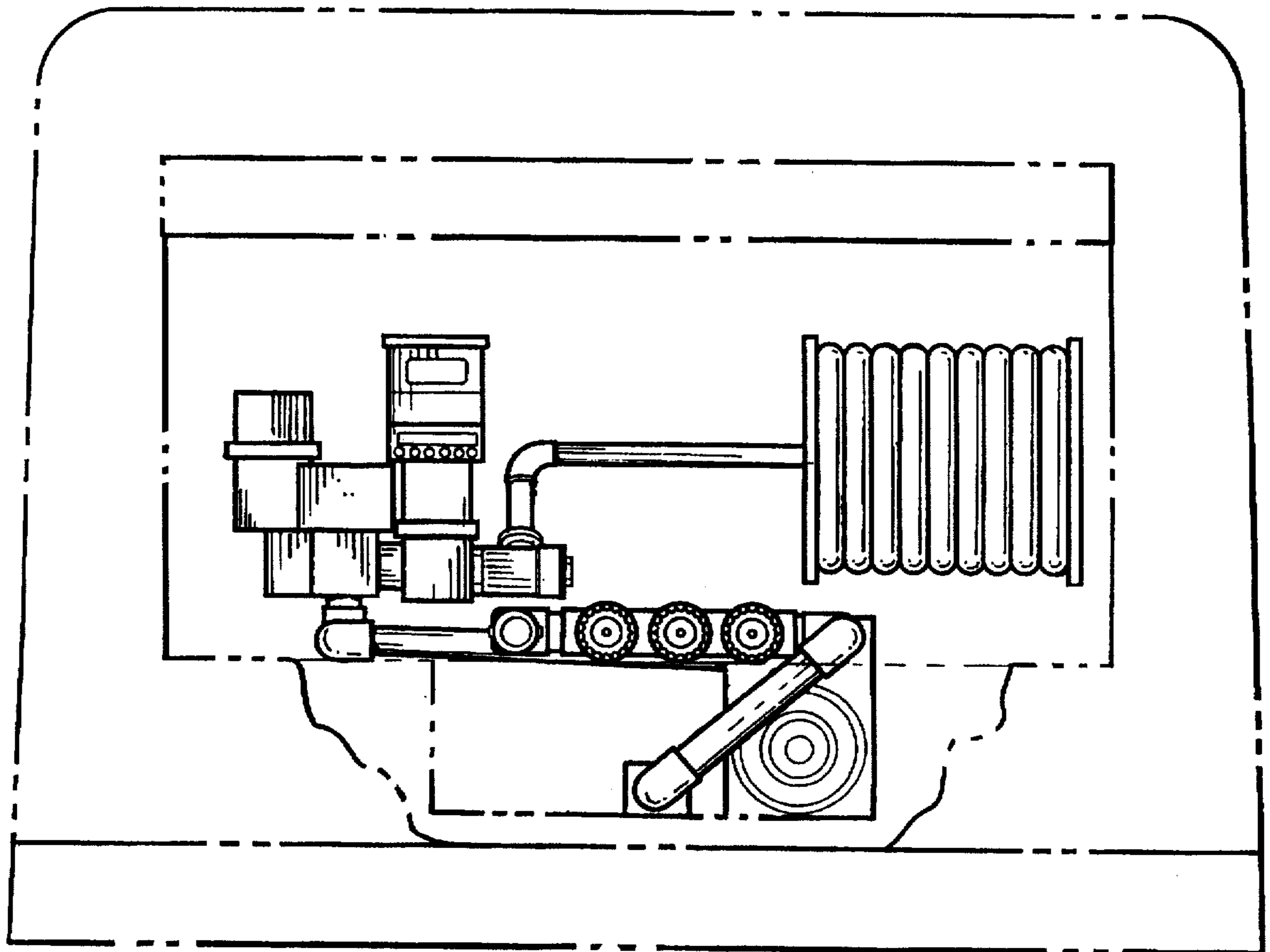


Fig. 2

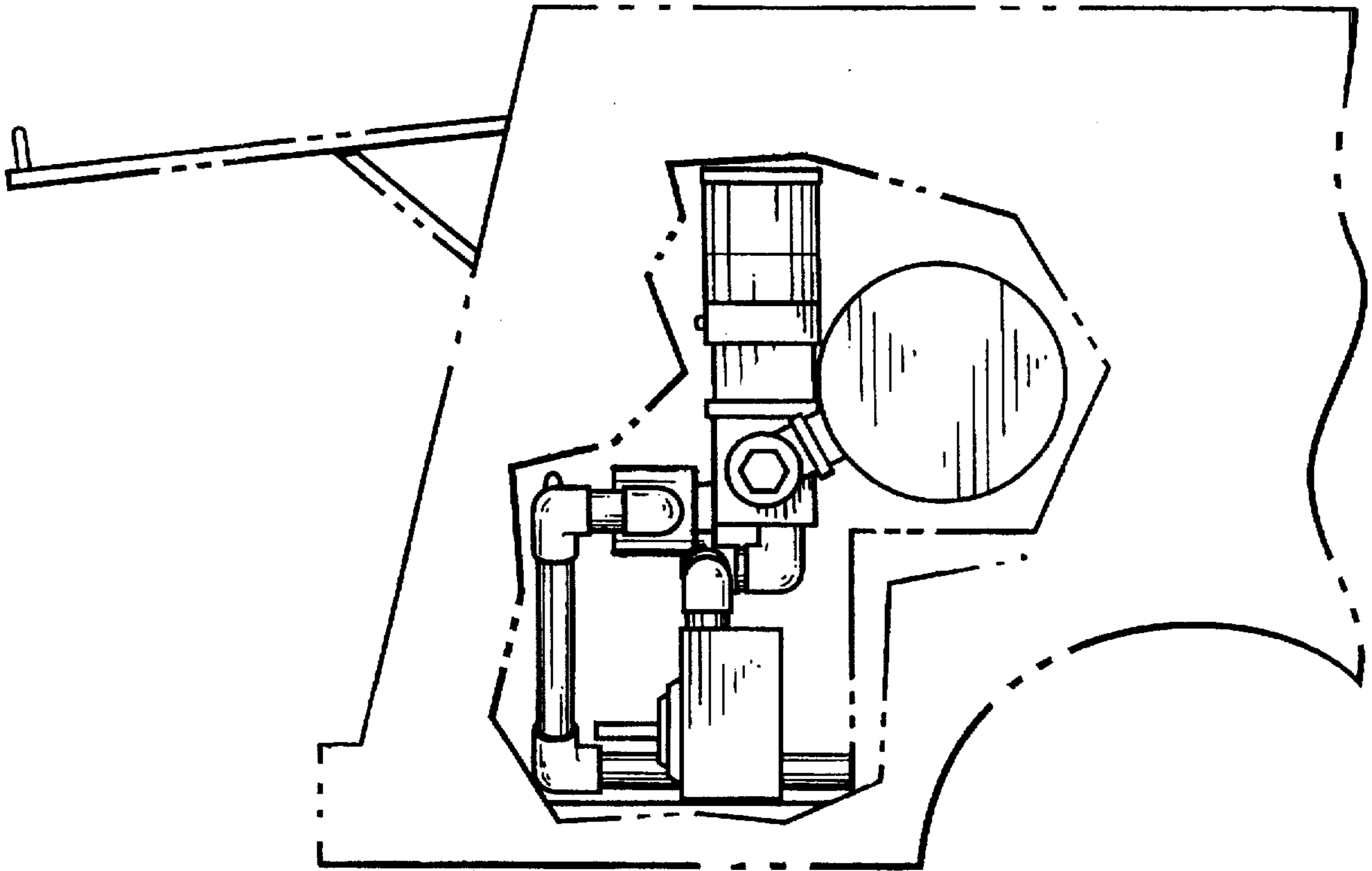


Fig. 3

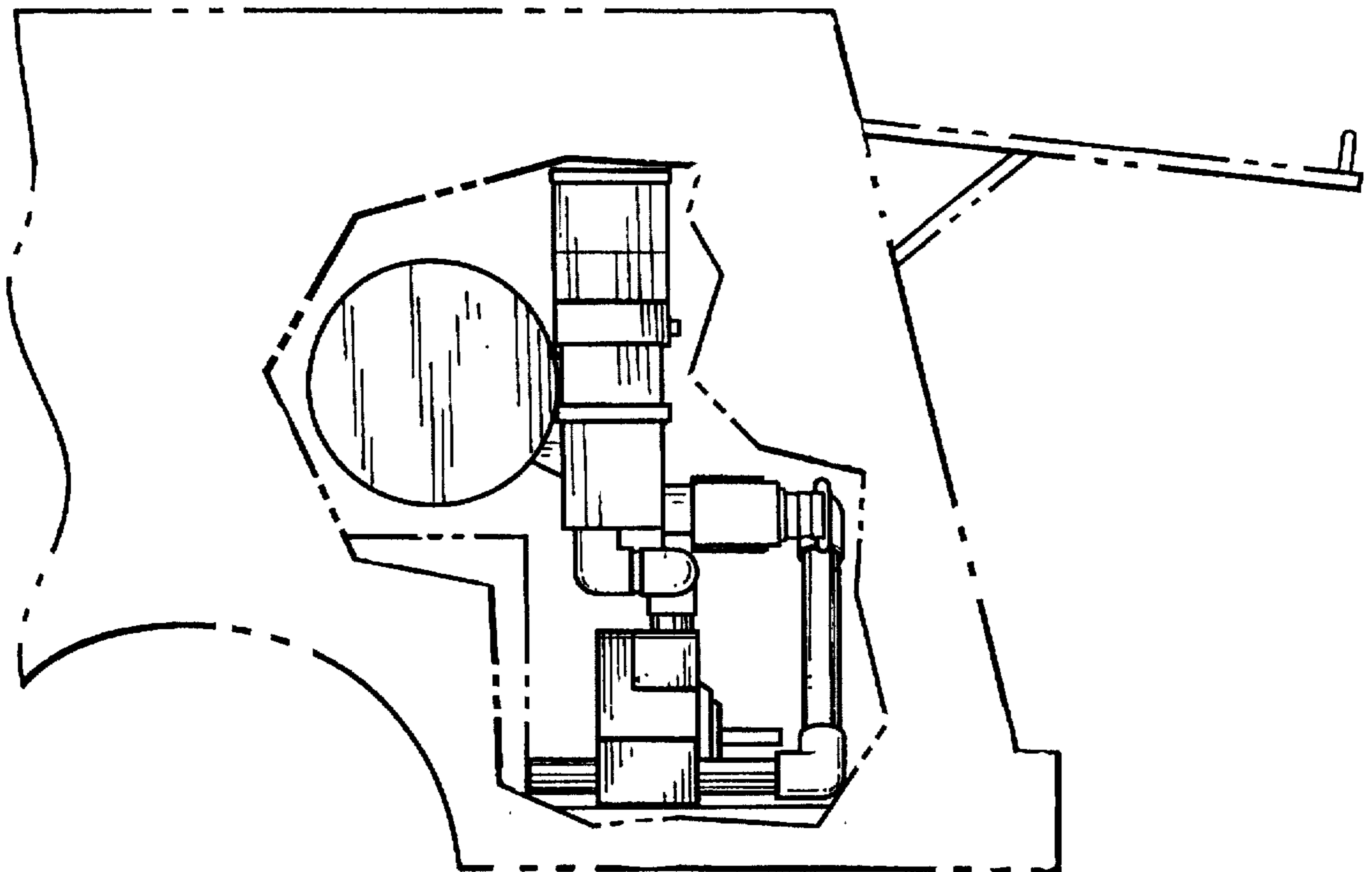


Fig. 4

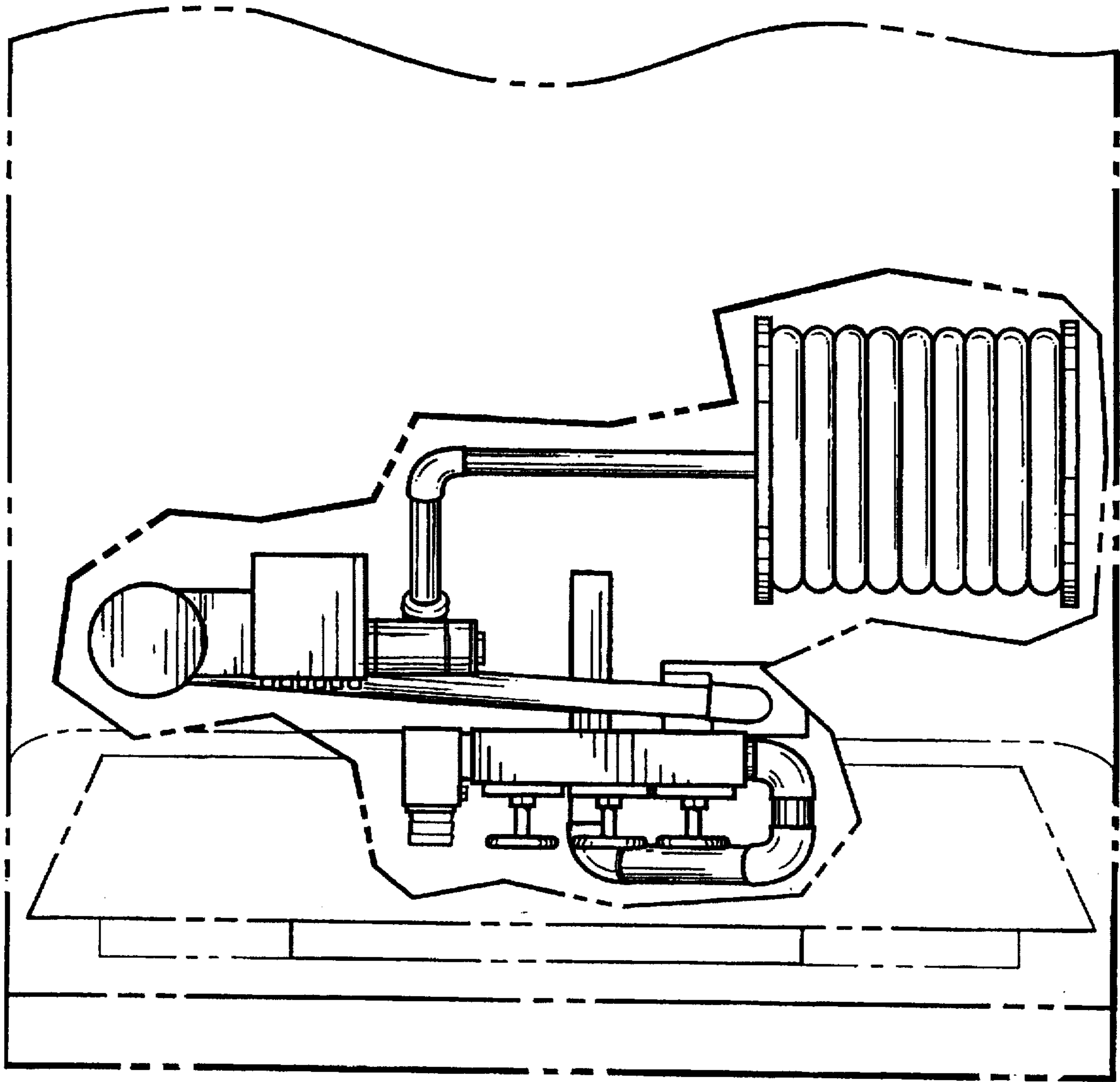


Fig. 5