



US00D385889S

United States Patent [19]

[11] Patent Number: **Des. 385,889**

Kullas et al.

[45] Date of Patent: ****Nov. 4, 1997**

[54] **PUMP HOUSING**

[75] Inventors: **Karen E. Kullas, Taunton; Nancy Drainville Chomyszak, Attleboro; Stephen Albrecht, South Walpole, all of Mass.**

[73] Assignee: **C.R. Bard, Inc., Murray Hill, N.J.**

[**] Term: **14 Years**

[21] Appl. No.: **59,447**

[22] Filed: **Sep. 11, 1996**

Related U.S. Application Data

[63] Continuation of Ser. No. 698,568, Aug. 15, 1996.

[51] LOC (6) Cl. **15-02**

[52] U.S. Cl. **D15/7**

[58] Field of Search D24/110; 128/200.14, 128/200.16, 200.18, 200.21, 203.12; D15/7, 9

[56] **References Cited**

U.S. PATENT DOCUMENTS

- D. 264,719 6/1982 Ehlers D15/9
- D. 363,494 10/1995 Gebauer et al. D15/7

- D. 364,172 11/1995 Jensen et al. D15/7
- D. 376,199 12/1996 Rozek et al. D24/110
- 4,411,652 10/1983 Kramer et al. 604/153
- 4,561,431 12/1985 Atkinson 128/66
- 4,635,621 1/1987 Atkinson 128/66
- 4,655,197 4/1987 Atkinson 128/66
- 4,823,784 4/1989 Bordoni et al. 128/200.16 X
- 5,219,331 6/1993 Vanderveen 604/81
- 5,328,478 7/1994 McVay 604/147
- 5,423,747 6/1995 Amano 604/65

Primary Examiner—Ralf Seifert
Attorney, Agent, or Firm—Bookstein & Kudirka, P.C.

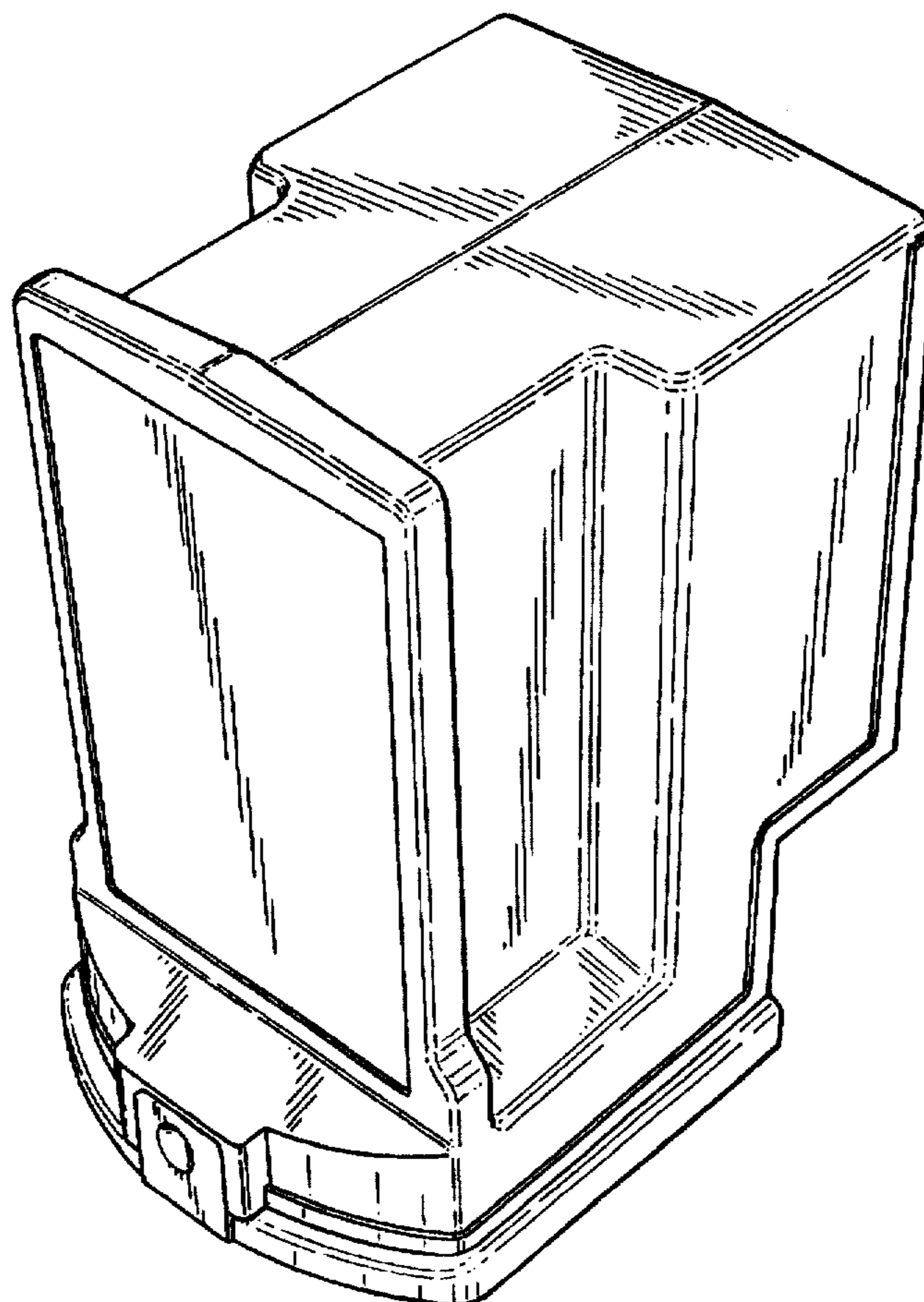
[57] **CLAIM**

The ornamental design for a pump housing, as shown in the Figures.

DESCRIPTION

FIG. 1 is a front perspective view of a pump housing incorporating the new design;
FIG. 2 is a front view of the pump housing;
FIG. 3 is a right-side view of the pump housing;
FIG. 4 is a rear view of the pump housing;
FIG. 5 is a left-side view of the pump housing;
FIG. 6 is a top plan view of the pump housing; and,
FIG. 7 is a bottom view of the pump housing.

1 Claim, 4 Drawing Sheets



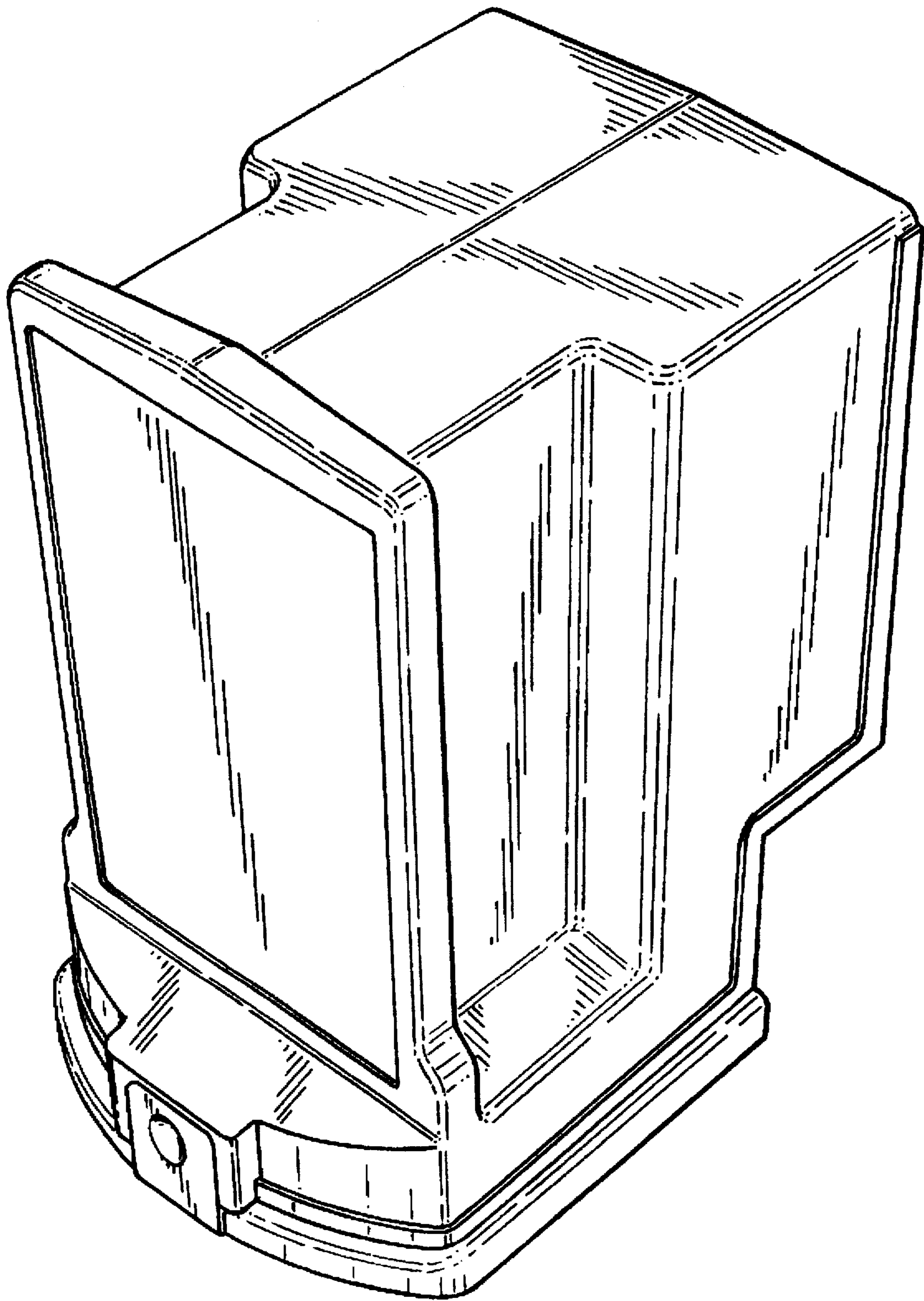


FIG. 1

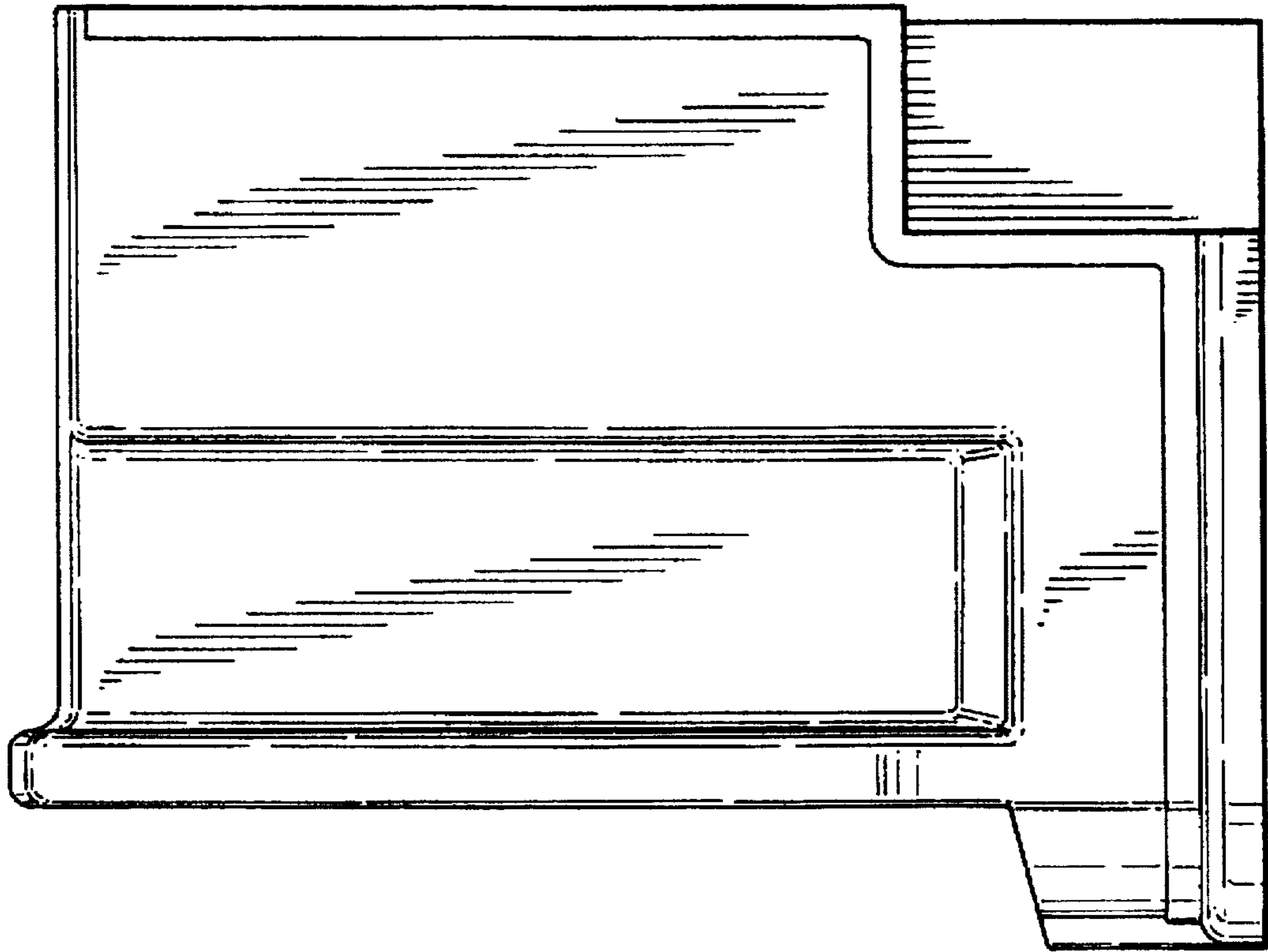


FIG. 3

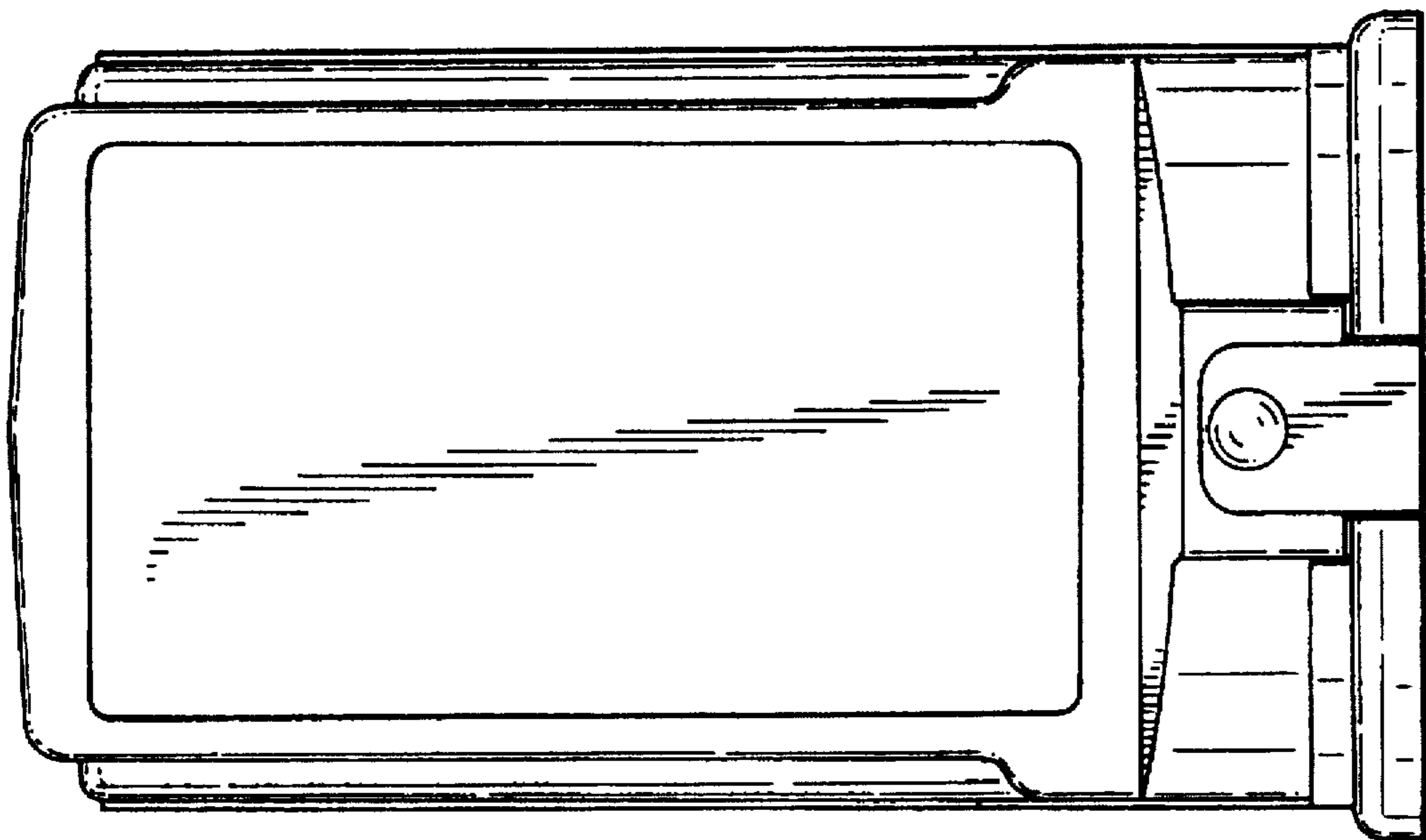


FIG. 2

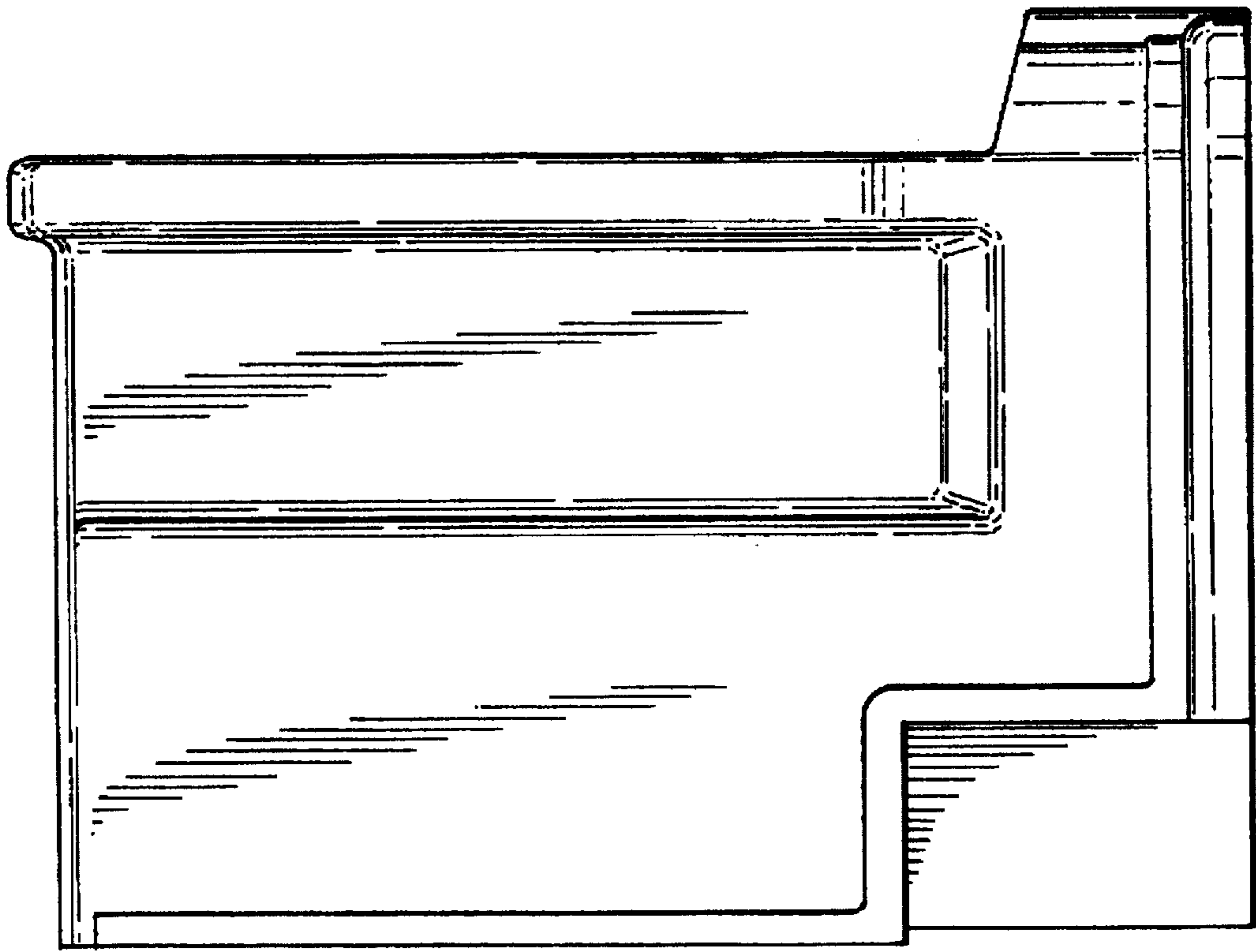


FIG. 5

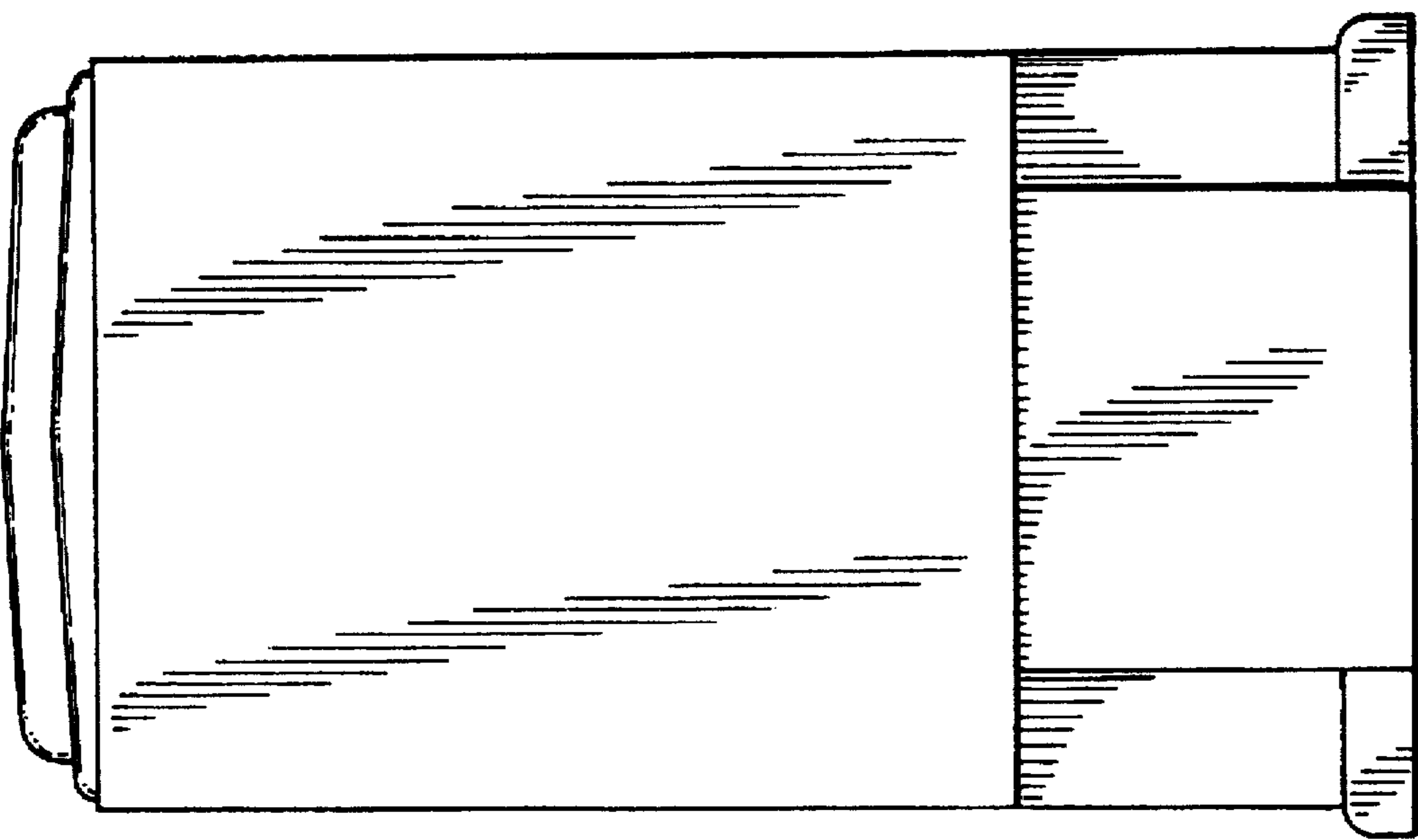


FIG. 4

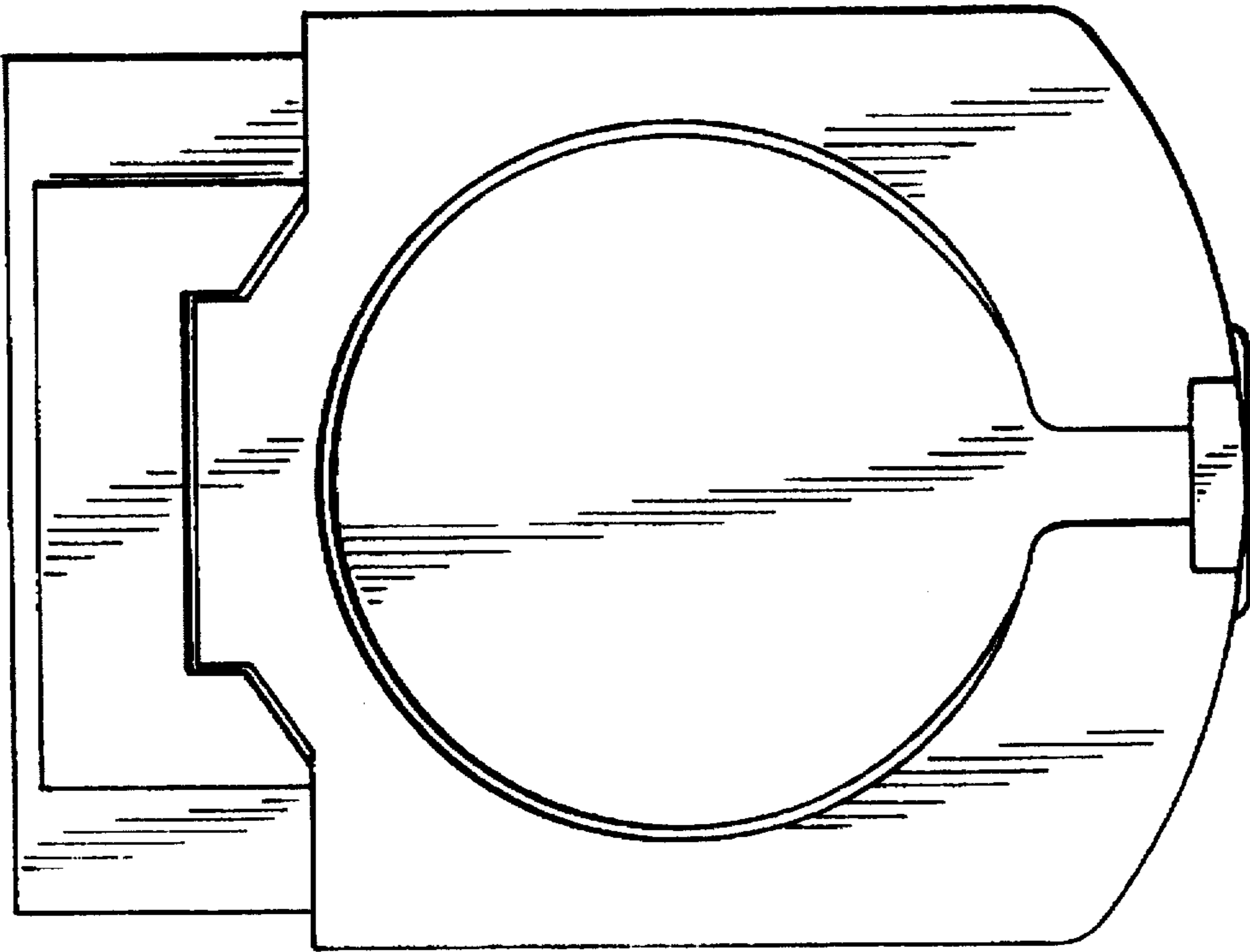


FIG. 7

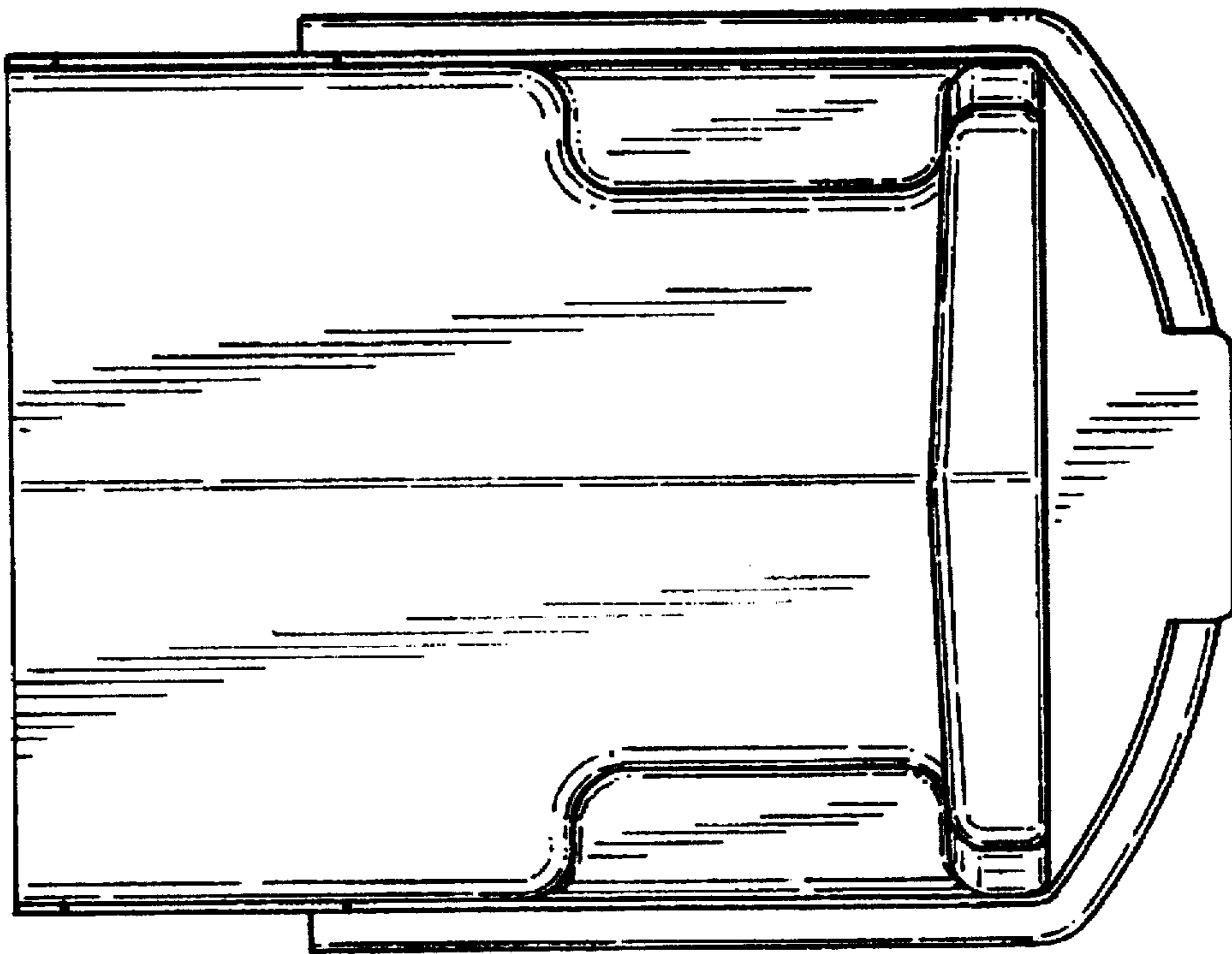


FIG. 6