



US00D385888S

United States Patent [19]

Beutler et al.

[11] Patent Number: **Des. 385,888**

[45] Date of Patent: ****Nov. 4, 1997**

[54] **CRADLE FOR A PORTABLE DEVICE**

[75] Inventors: **Scott D. Beutler, Barrington; James D. Domoleczny, Round Lake Beach; Anil Verma, Palatine; Albert L. Nagele, Wilmette, all of Ill.**

[73] Assignee: **Motorola, Inc., Schaumburg, Ill.**

[**] Term: **14 Years**

[21] Appl. No.: **61,595**

[22] Filed: **Sep. 18, 1996**

Related U.S. Application Data

[62] Division of Ser. No. 44,609, Sep. 27, 1995.

[51] LOC (6) Cl. **14-03**

[52] U.S. Cl. **D14/253; D14/149**

[58] Field of Search **D13/107, 108; D14/140, 142, 147, 148, 149, 240, 251, 252, 253, 217, 299; 379/419, 420, 428, 440, 454, 455, 58-61, 433-436; 455/89, 90**

[56] References Cited

U.S. PATENT DOCUMENTS

D. 210,885 4/1968 Eberhart D13/108

D. 215,303	9/1969	Carpenter	D13/108
D. 284,958	8/1986	Tsuji	D13/108
D. 320,991	10/1991	Nagai et al.	D14/253 X
D. 352,711	11/1994	Solomita et al.	D14/149
D. 360,210	7/1995	Rudkiewicz	D14/253
D. 361,763	8/1995	Nagele et al.	D14/149 X
D. 362,004	9/1995	Nakano et al.	D14/253
D. 368,479	4/1996	Larson	D14/149 X
D. 374,014	9/1996	Nagele et al.	D14/253
5,189,358	2/1993	Tomura et al.	455/89
5,463,688	10/1995	Wijas	379/455 X
5,568,548	10/1996	Repplinger et al.	379/455 X

Primary Examiner—Jeffrey Asch
Attorney, Agent, or Firm—John J. King

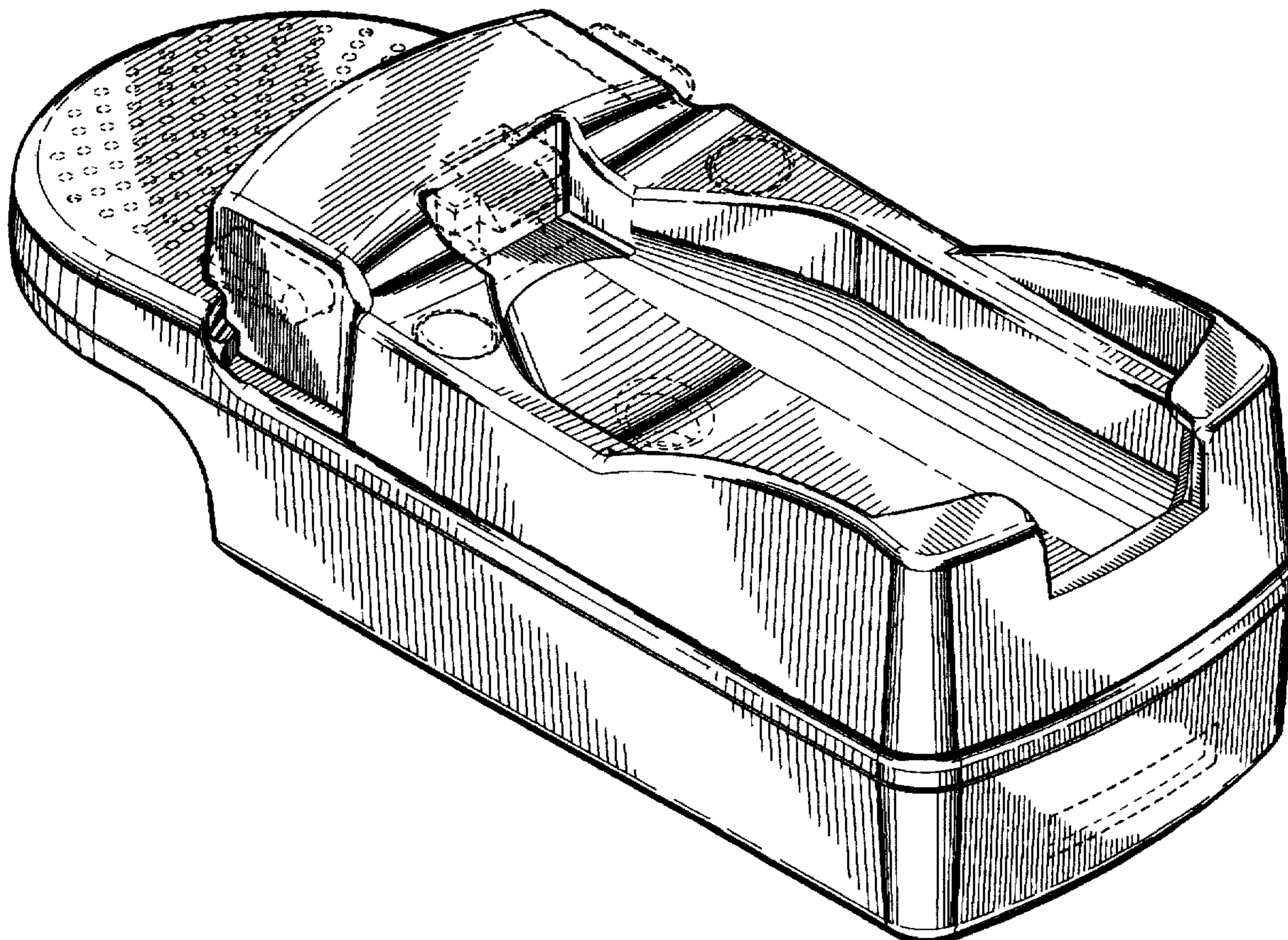
[57] CLAIM

The ornamental design for a cradle for a portable device, as shown and described.

DESCRIPTION

FIG. 1 is a front, top and left side perspective view of the cradle for a portable device showing our new design; FIG. 2 is a rear plan view thereof; FIG. 3 is a right side elevational view thereof; and, FIG. 4 is a bottom plan view thereof. The broken lines showings in FIGS. 1-4 are for illustrative purposes only and form no part of the claimed design.

1 Claim, 2 Drawing Sheets



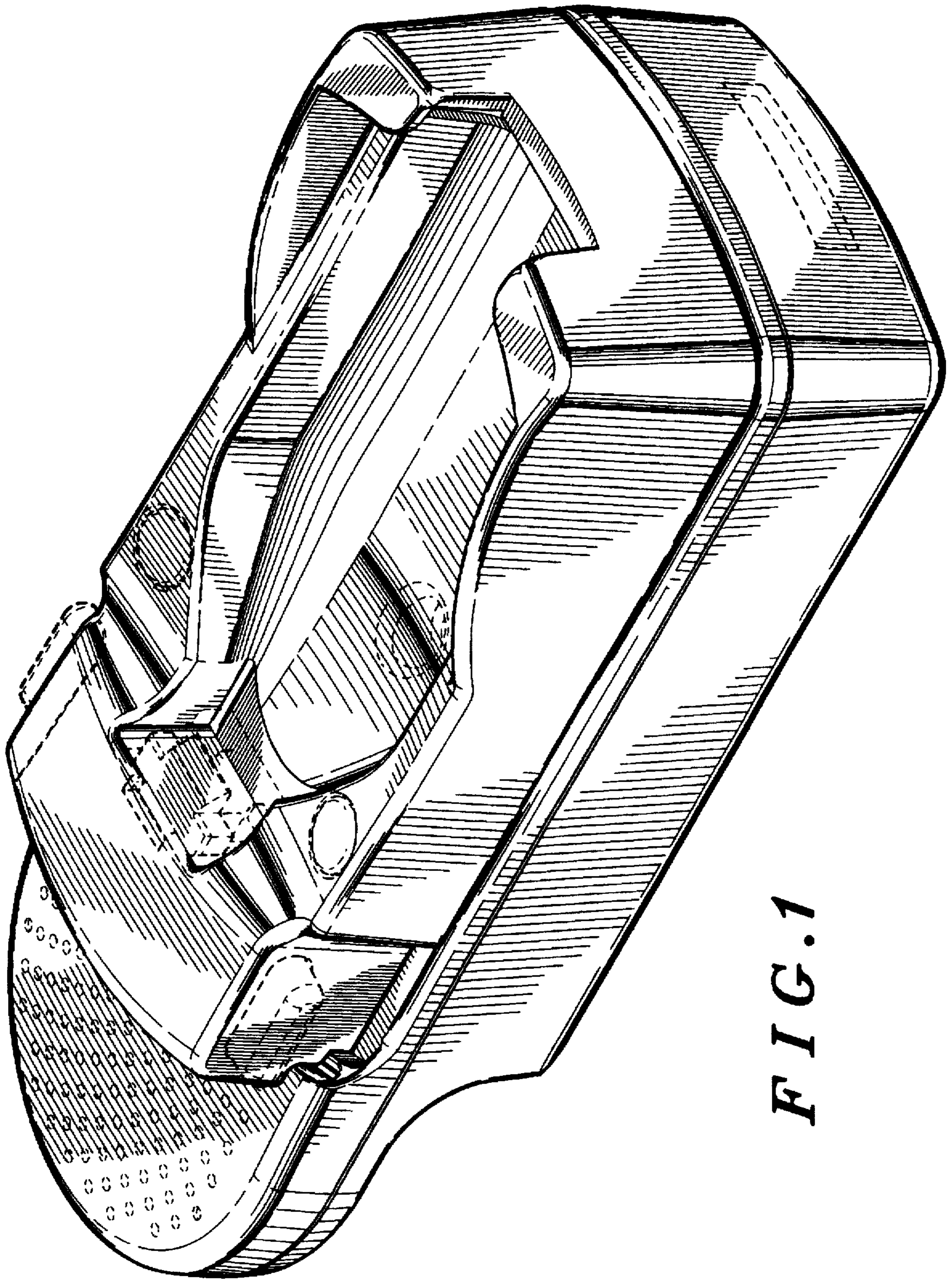


FIG. 1

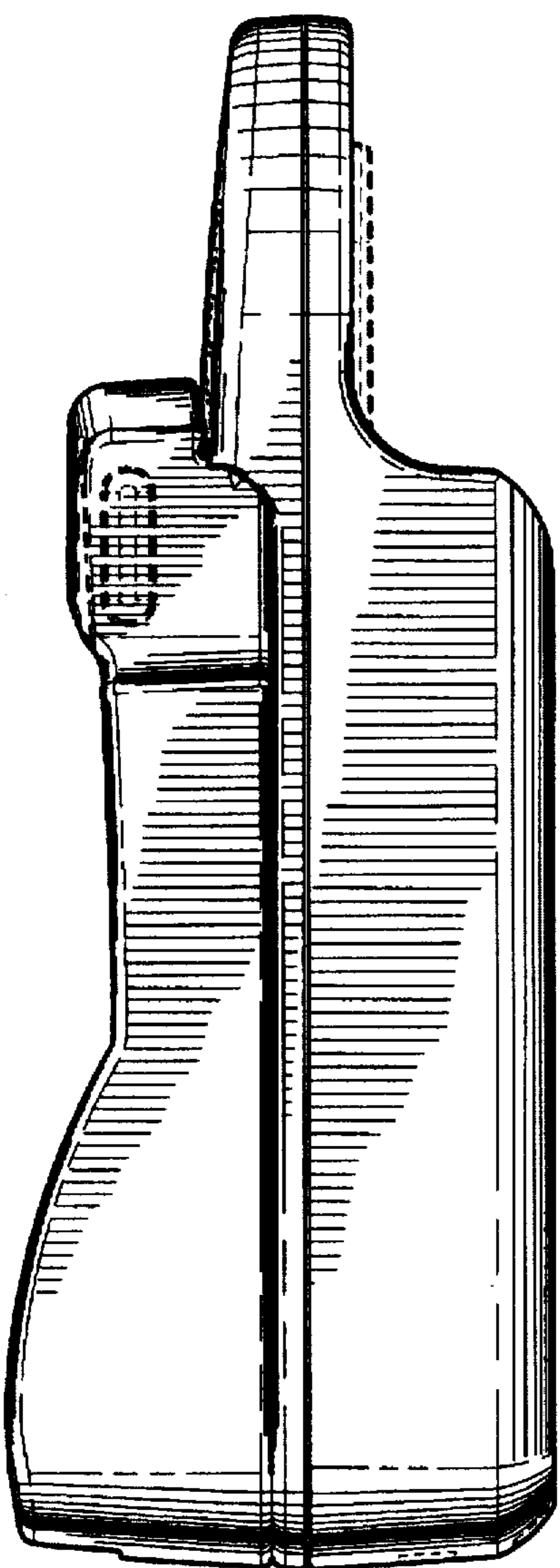


FIG. 3

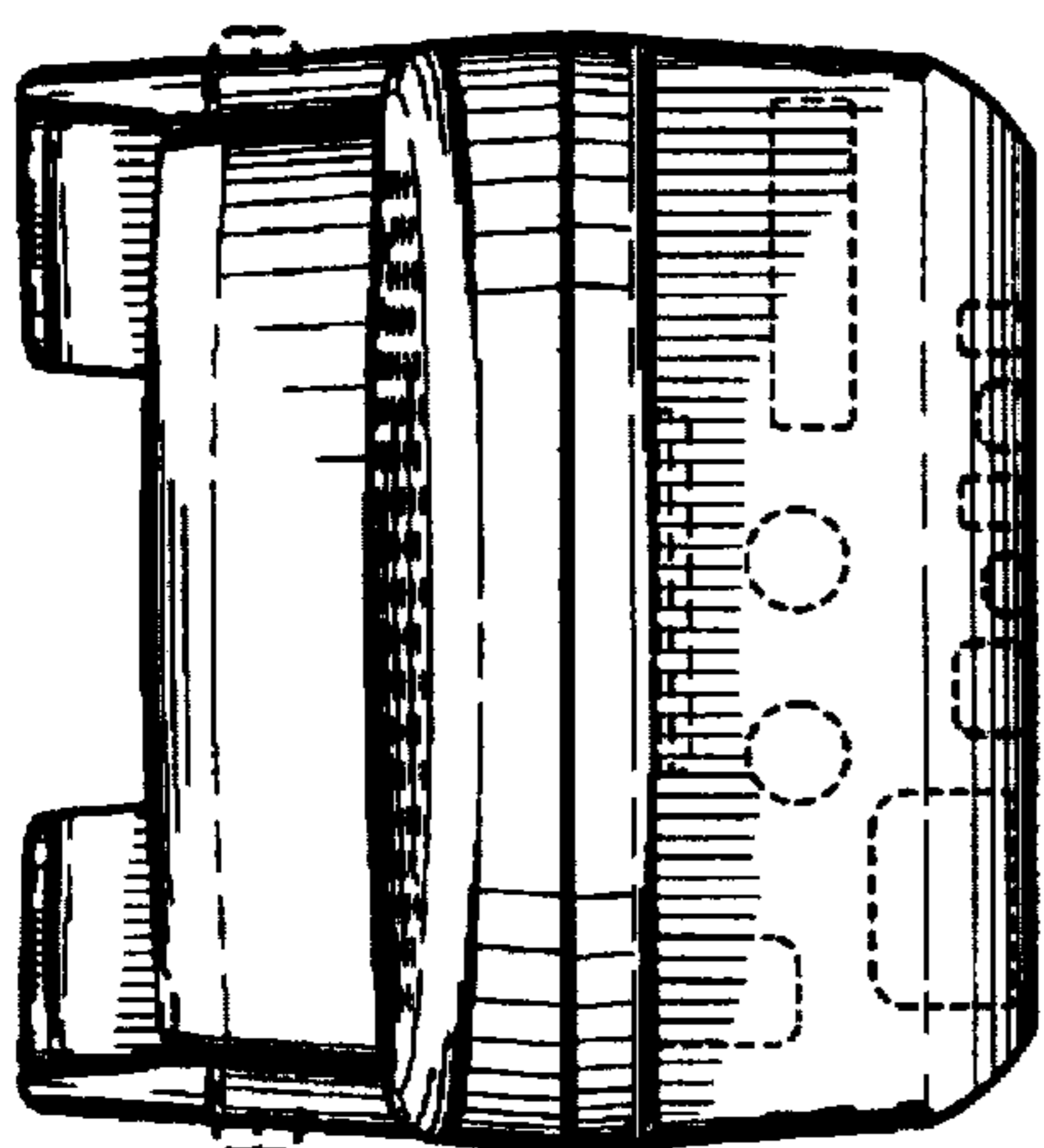


FIG. 2

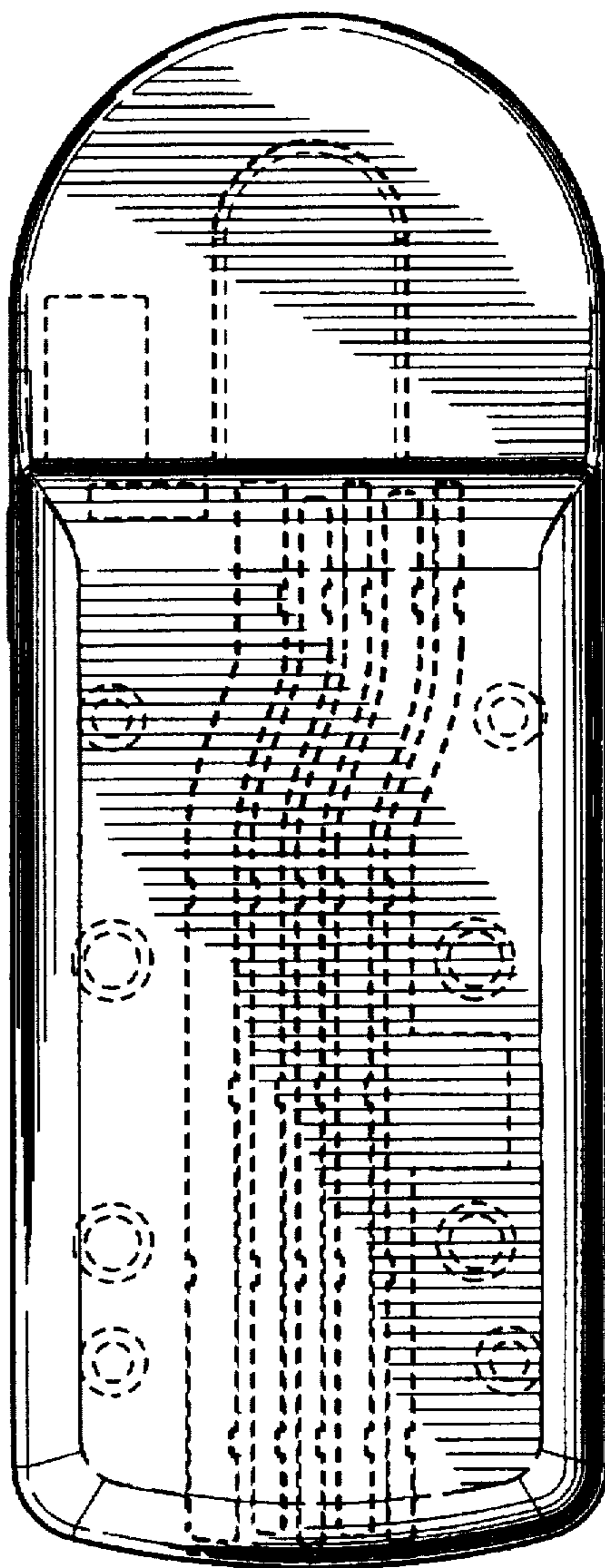


FIG. 4