



US00D385883S

United States Patent [19]

Takashina et al.

[11] Patent Number: **Des. 385,883**

[45] Date of Patent: ****Nov. 4, 1997**

[54] **UNIT FOR DIGITAL AUDIO DISK PLAYER**

[75] Inventors: **Takeyoshi Takashina; Harumitsu Nayuki**, both of Chiba, Japan

[73] Assignee: **Sony Corporation**, Tokyo, Japan

[**] Term: **14 Years**

[21] Appl. No.: **45,235**

[22] Filed: **Oct. 13, 1995**

[30] **Foreign Application Priority Data**

Apr. 17, 1995 [JP] Japan 7-10338

[51] **LOC (6) Cl.** **14-99**

[52] **U.S. Cl.** **D14/217**

[58] **Field of Search** D14/217, 222,
D14/299, 156; 369/37, 39, 41

[56] **References Cited**

U.S. PATENT DOCUMENTS

D. 270,443 9/1983 Nagatomo D14/156

D. 340,716	10/1993	Ito et al.	D14/156
D. 349,496	8/1994	Sato	D14/156
4,528,653	7/1985	Asano	369/41
5,481,512	1/1996	Morioka et al.	369/39 X

Primary Examiner—Dominic Simone
Attorney, Agent, or Firm—Foley & Lardner

[57] CLAIM

The ornamental design for a unit for digital audio disk player, as shown and described.

DESCRIPTION

FIG. 1 is a perspective view of a unit for digital audio disk player showing our new design;
FIG. 2 is a top plan view thereof;
FIG. 3 is a left side elevational view thereof;
FIG. 4 is a front elevational view thereof;
FIG. 5 is a bottom plan view thereof;
FIG. 6 is a right side elevational view thereof; and,
FIG. 7 is a rear elevational view thereof.

1 Claim, 4 Drawing Sheets

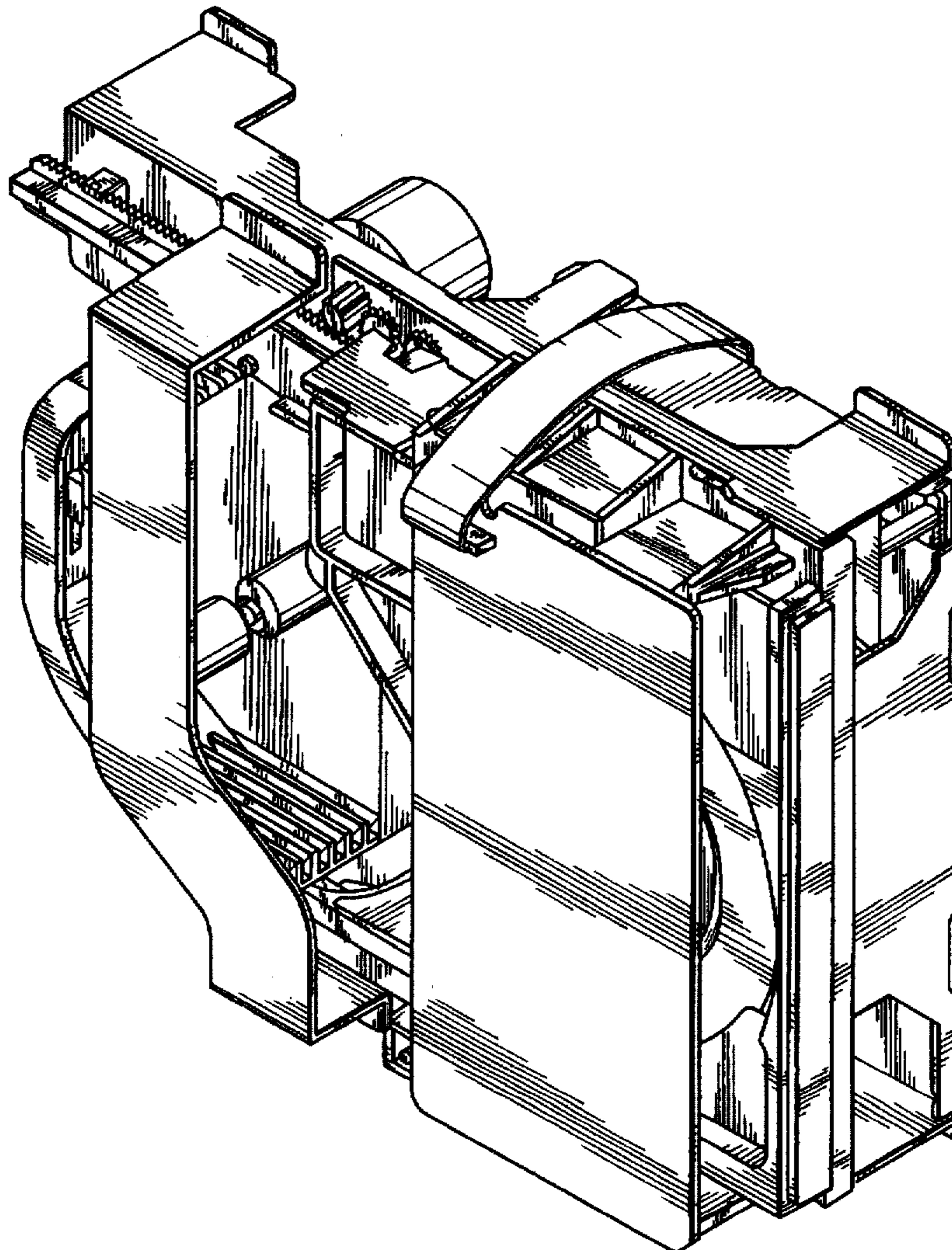


FIG. 1

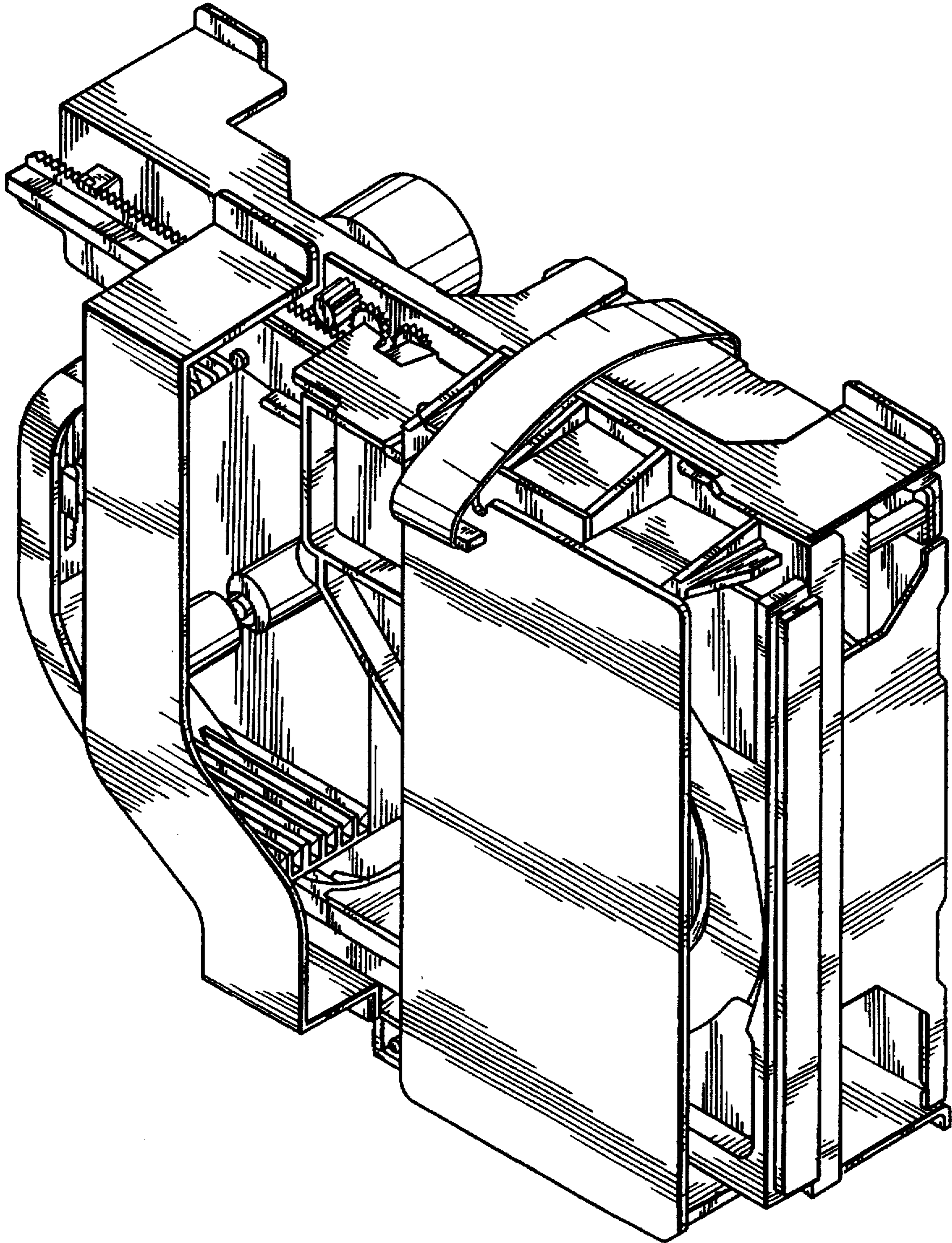


FIG.2

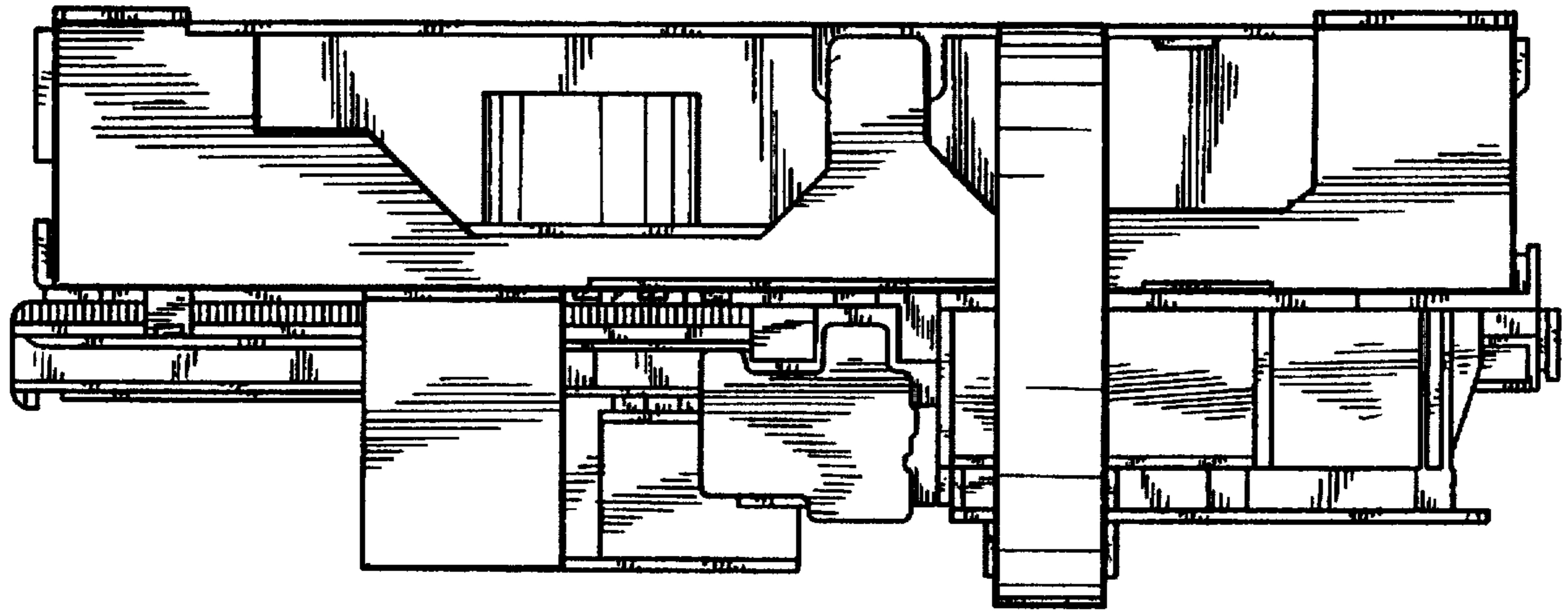


FIG.5

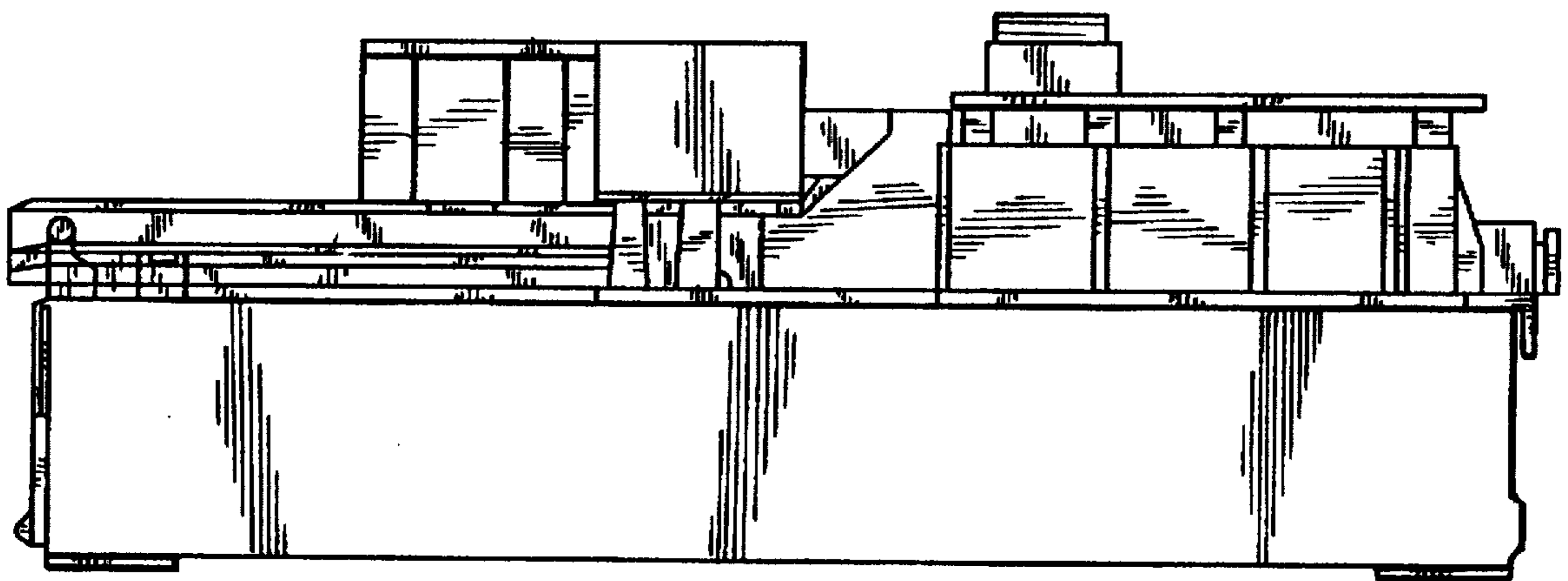


FIG.3

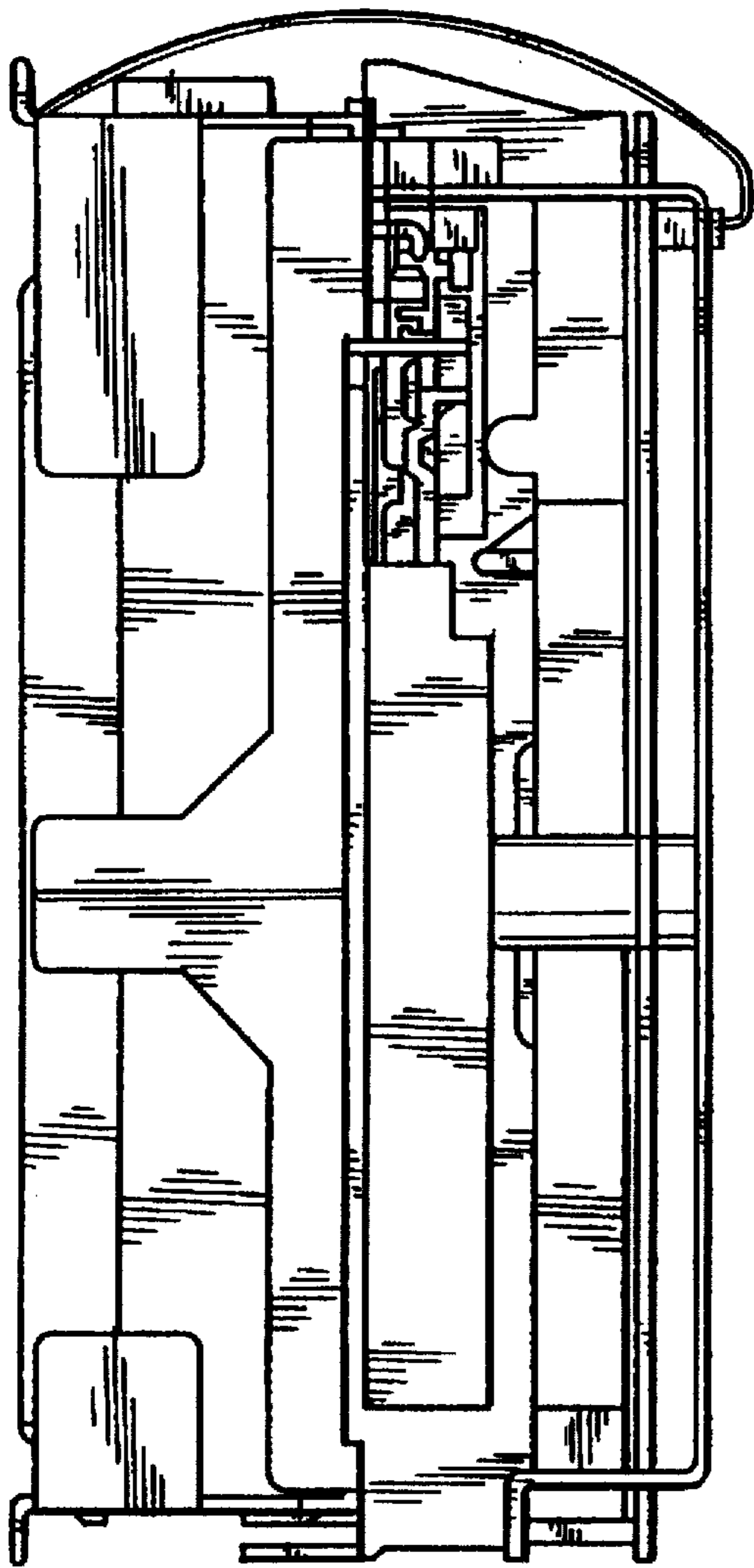


FIG.6

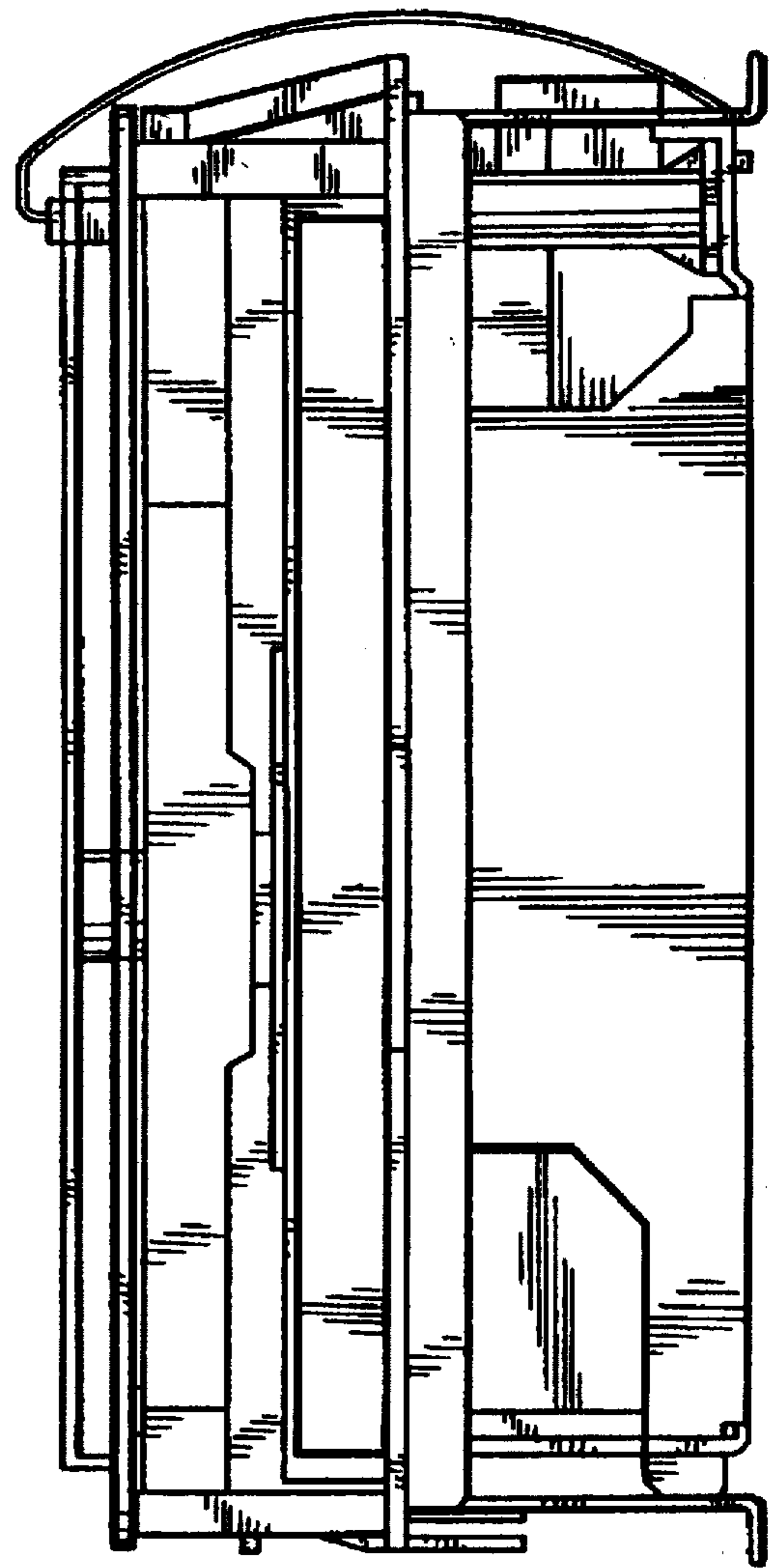


FIG.4

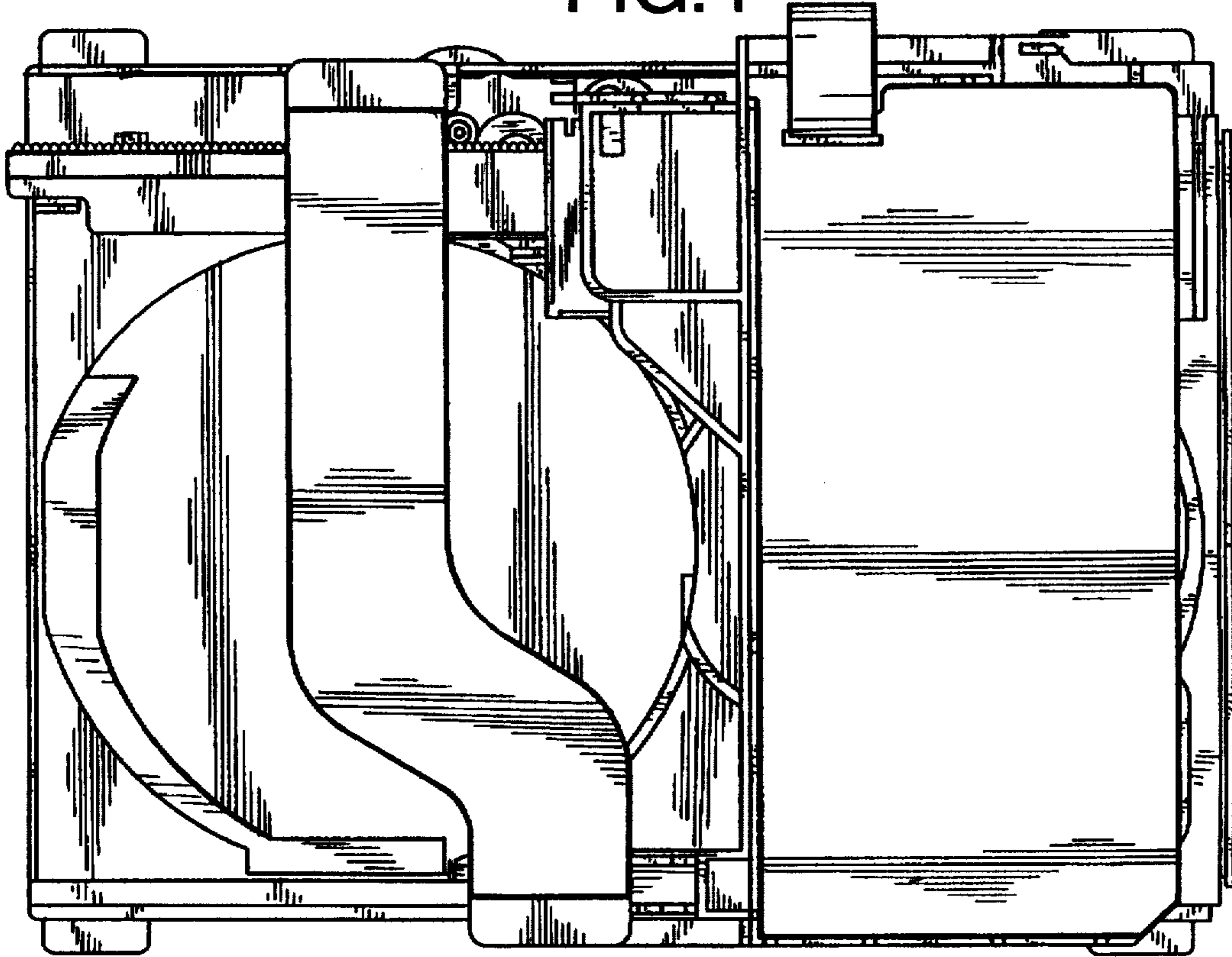


FIG.7

