

US00D385881S

United States Patent [19]

[11] Patent Number: **Des. 385,881**

Bressler et al.

[45] Date of Patent: ****Nov. 4, 1997**

[54] HOME HEALTH CARE TERMINAL

5,024,225 6/1991 Fang 128/630

[75] Inventors: Peter W. Bressler, Philadelphia, Pa.;
Peter D. Byar, Willingboro, N.J.; Jason
A. Angelides, Haverford, Pa.

5,361,755 11/1994 Schraag et al. 128/630

5,441,047 8/1995 David et al. 128/630 X

5,553,609 9/1996 Chen et al. 128/630

[73] Assignee: Tevital Incorporated, Paoli, Pa.

Primary Examiner—Louis S. Zarfes

Assistant Examiner—I. Simmons

Attorney, Agent, or Firm—Elman & Associates

[**] Term: 14 Years

[57] CLAIM

[21] Appl. No.: 45,050

The ornamental design for a home health care terminal, as shown and described.

[22] Filed: Oct. 6, 1995

DESCRIPTION

[51] LOC (6) Cl. 24-01

[52] U.S. Cl. D24/186

[58] Field of Search D24/226, 186,
D24/185, 169, 165; 128/630, 903, 904;
364/413.02, 413.03

FIG. 1 is a front perspective view showing the new design;

FIG. 2 is a front elevational view showing the new design;

FIG. 3 is a rear elevational view showing the new design;

FIG. 4 is a top plan view showing the new design;

FIG. 5 is a bottom plan view showing the new design;

FIG. 6 is a left side elevational view showing the new design; and,

FIG. 7 is a right side view elevational showing the new design.

[56] References Cited

U.S. PATENT DOCUMENTS

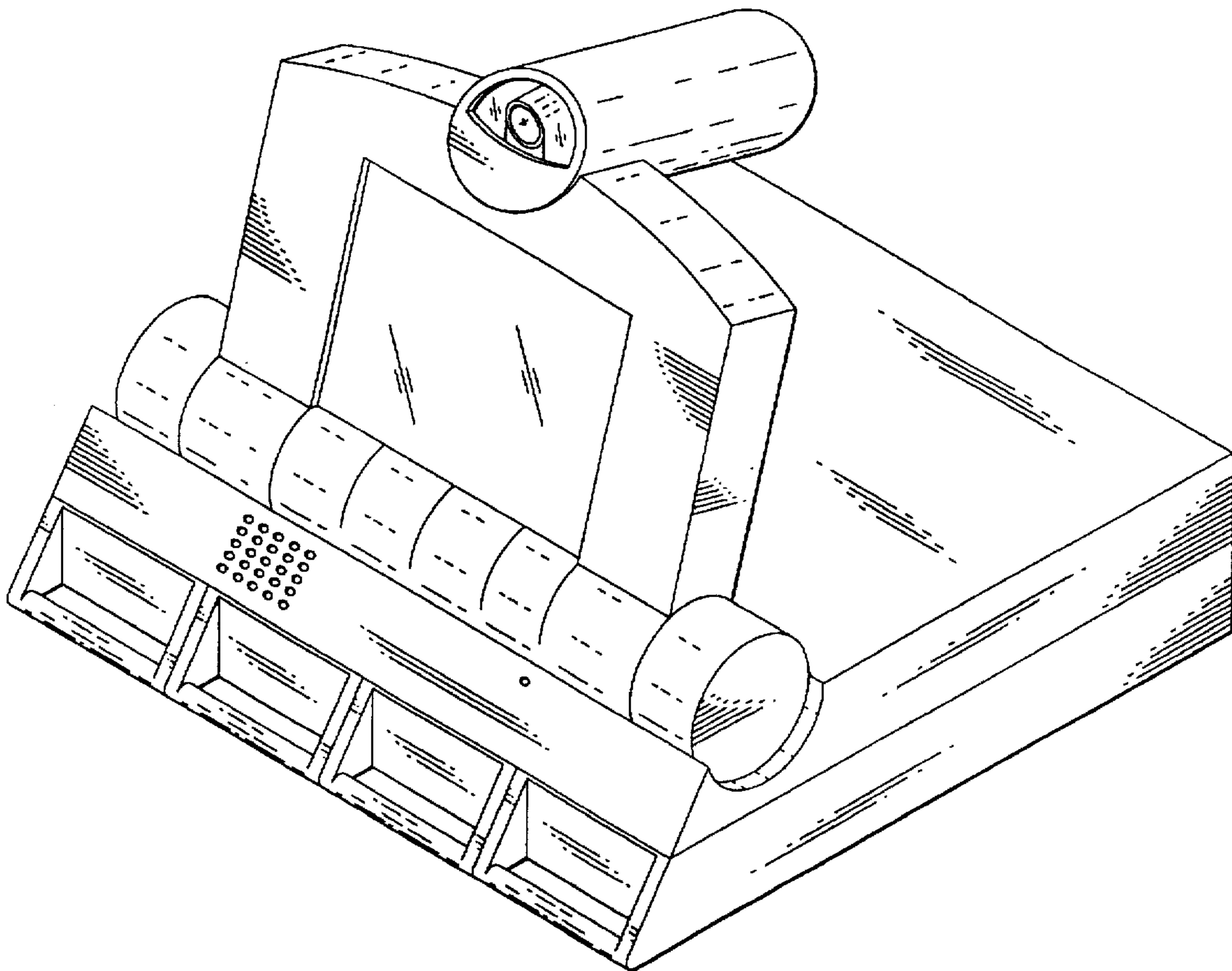
D. 338,271 8/1993 Yoshikawa et al. D24/186 X

D. 354,741 1/1995 Hutcheson D24/186

D. 358,583 5/1995 Winkler D24/186 X

4,933,873 6/1990 Kaufman et al. D24/186 X

1 Claim, 4 Drawing Sheets



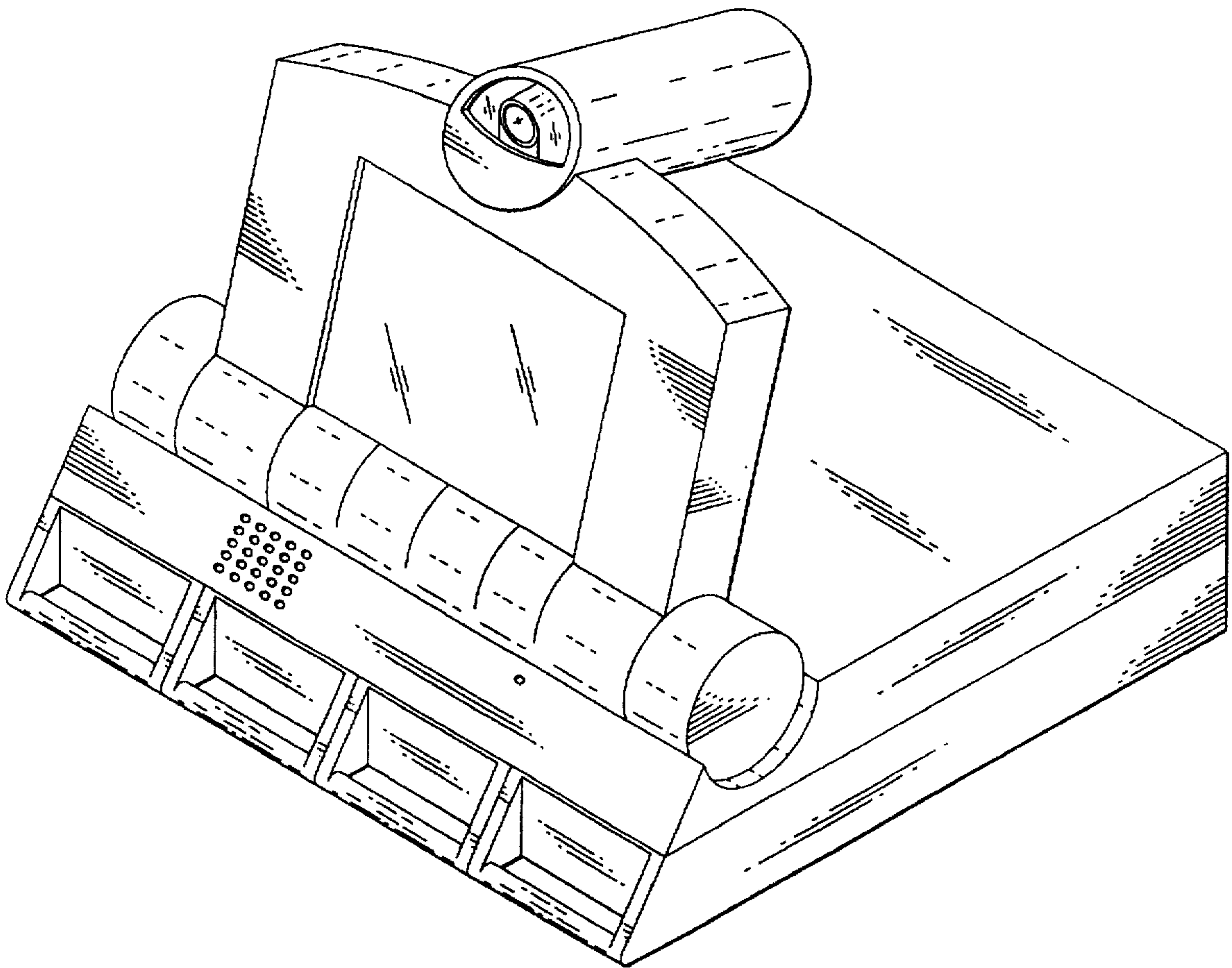


FIG. 1

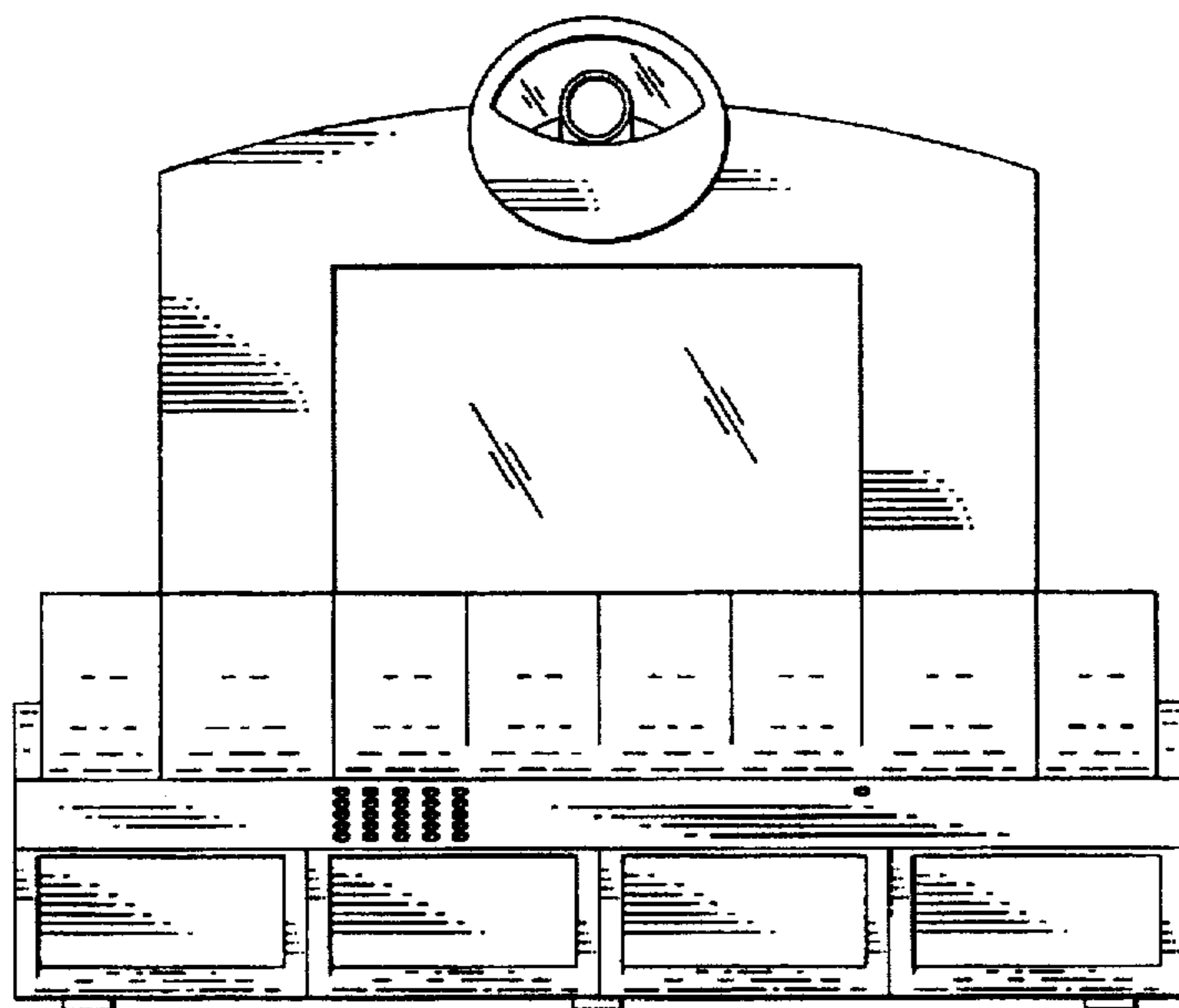


FIG. 2

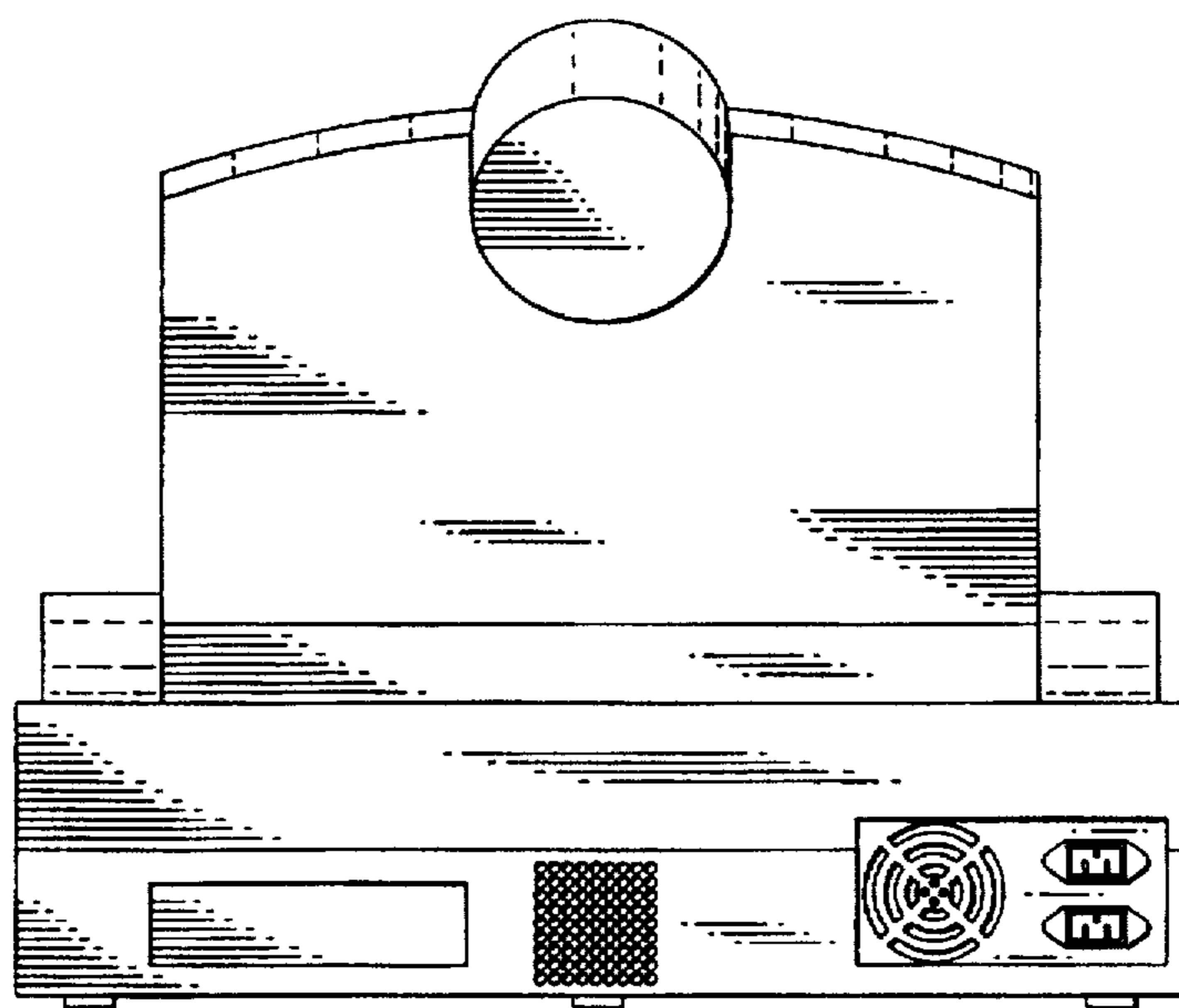


FIG. 3

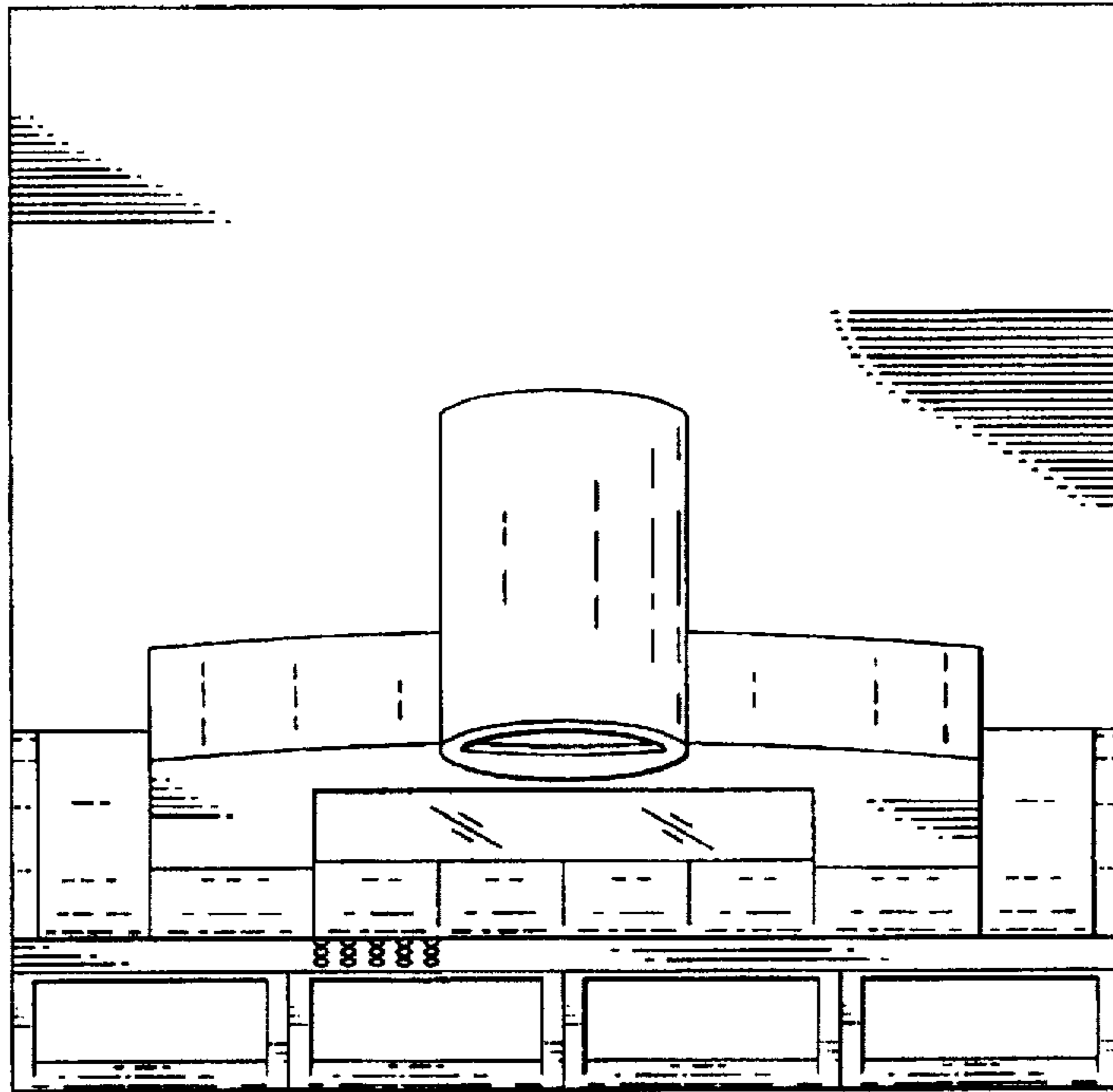


FIG. 4

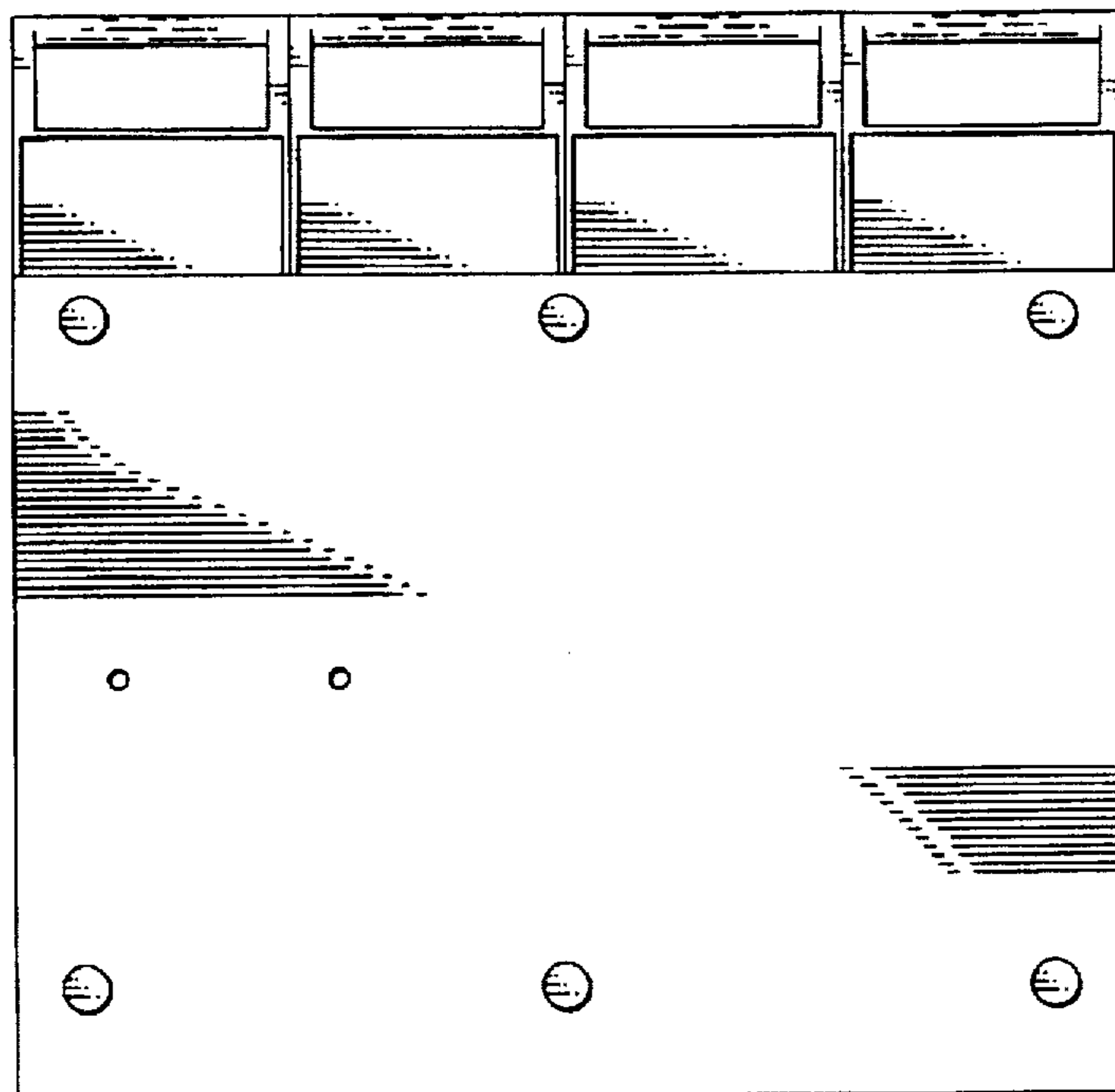


FIG. 5

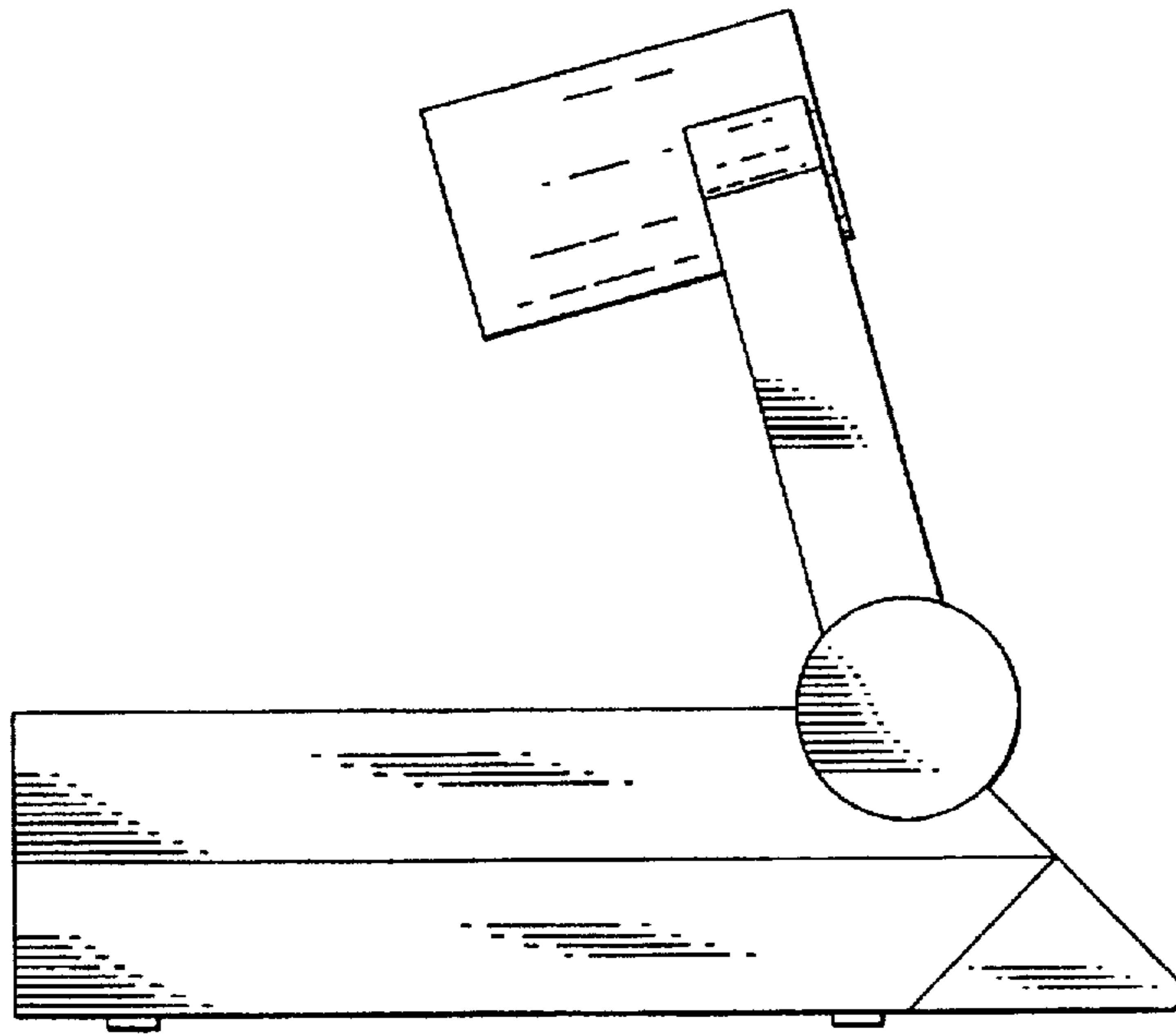


FIG. 6

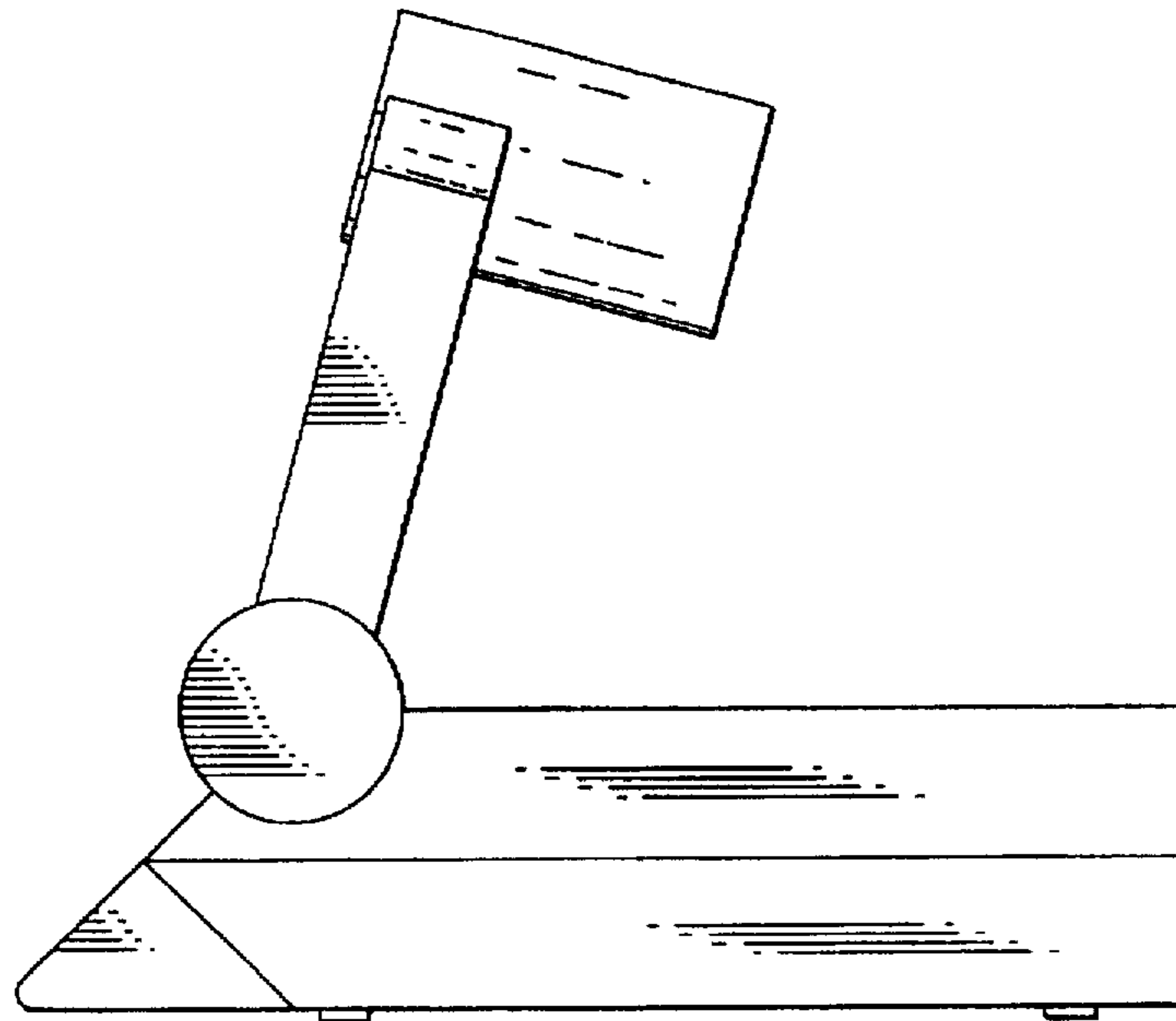


FIG. 7