

US00D385861S

United States Patent [19]
Lin

[11] **Patent Number:** **Des. 385,861**
[45] **Date of Patent:** ****Nov. 4, 1997**

[54] **COMPUTER MOUSE**

[76] **Inventor:** **Jih-Ming Lin**, 8F, No. 31-1, Lane 169,
Kang Ning St., Hsi Chin, Taipei Hsien,
Taiwan

[**] **Term:** **14 Years**

[21] **Appl. No.:** **60,761**

[22] **Filed:** **Oct. 7, 1996**

[51] **LOC (6) Cl.** **14-02**

[52] **U.S. Cl.** **D14/114**

[58] **Field of Search** **D14/100, 114,**
D14/114.1-114.9; 345/163

[56] **References Cited**

U.S. PATENT DOCUMENTS

- D. 328,597 8/1992 Clouss D14/114
- D. 331,231 11/1992 Yang D14/114
- D. 369,593 5/1996 Ma D14/114

Primary Examiner—Kay H. Chin

Attorney, Agent, or Firm—Morton J. Rosenberg; David I. Klein

[57] **CLAIM**

The ornamental design for a “computer mouse”, as shown and described.

DESCRIPTION

FIG. 1 is a top plan view of a “computer mouse” showing my new design;

FIG. 2 is a front elevational view thereof;

FIG. 3 is a right side elevational view thereof;

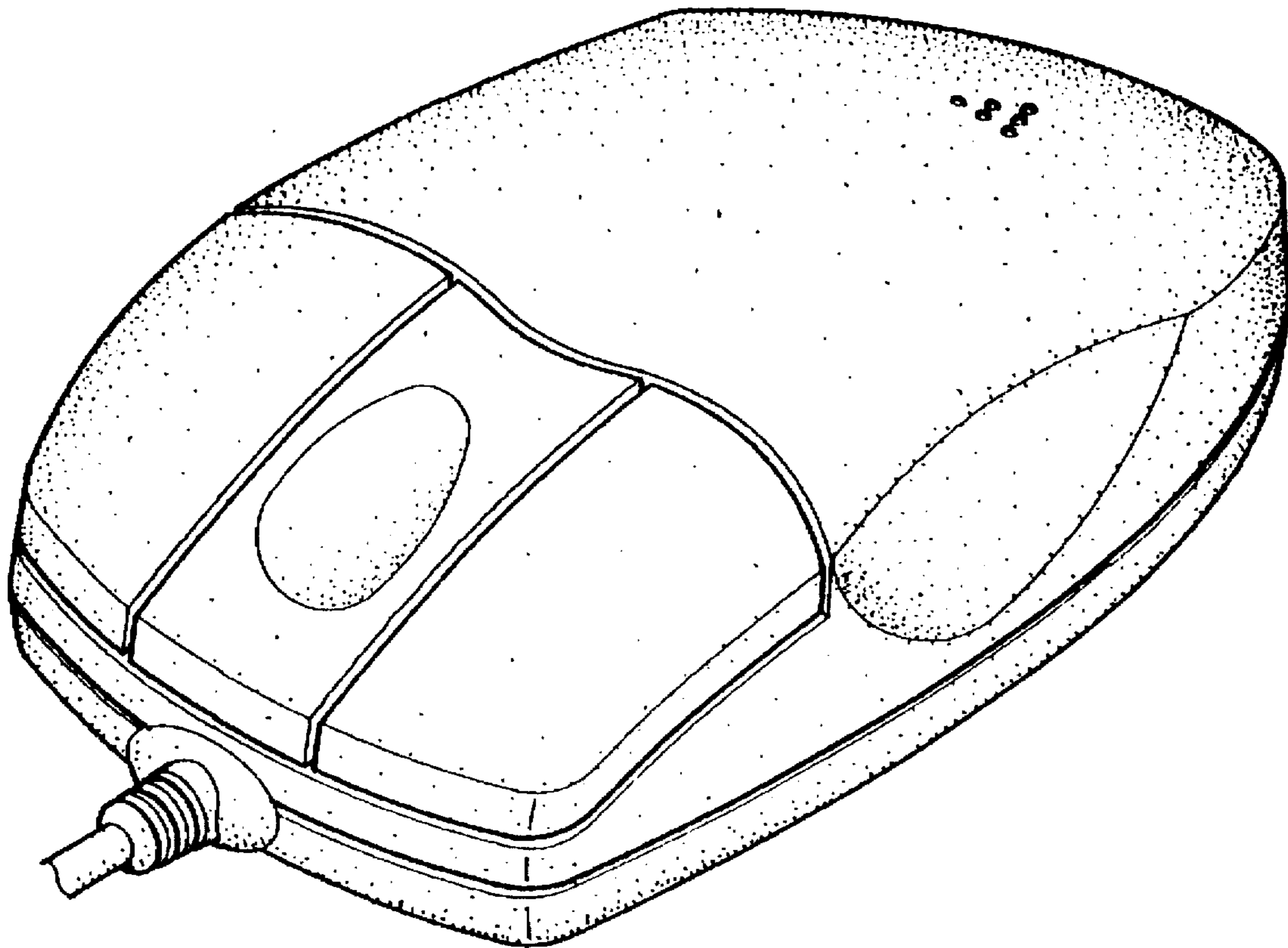
FIG. 4 is a left side elevational view thereof;

FIG. 5 is a back elevational view thereof;

FIG. 6 is a bottom plan view thereof; and,

FIG. 7 is an enlarged cross-sectional view taken along line 7—7 of FIG. 2 to show surface contour thereof.

1 Claim, 4 Drawing Sheets



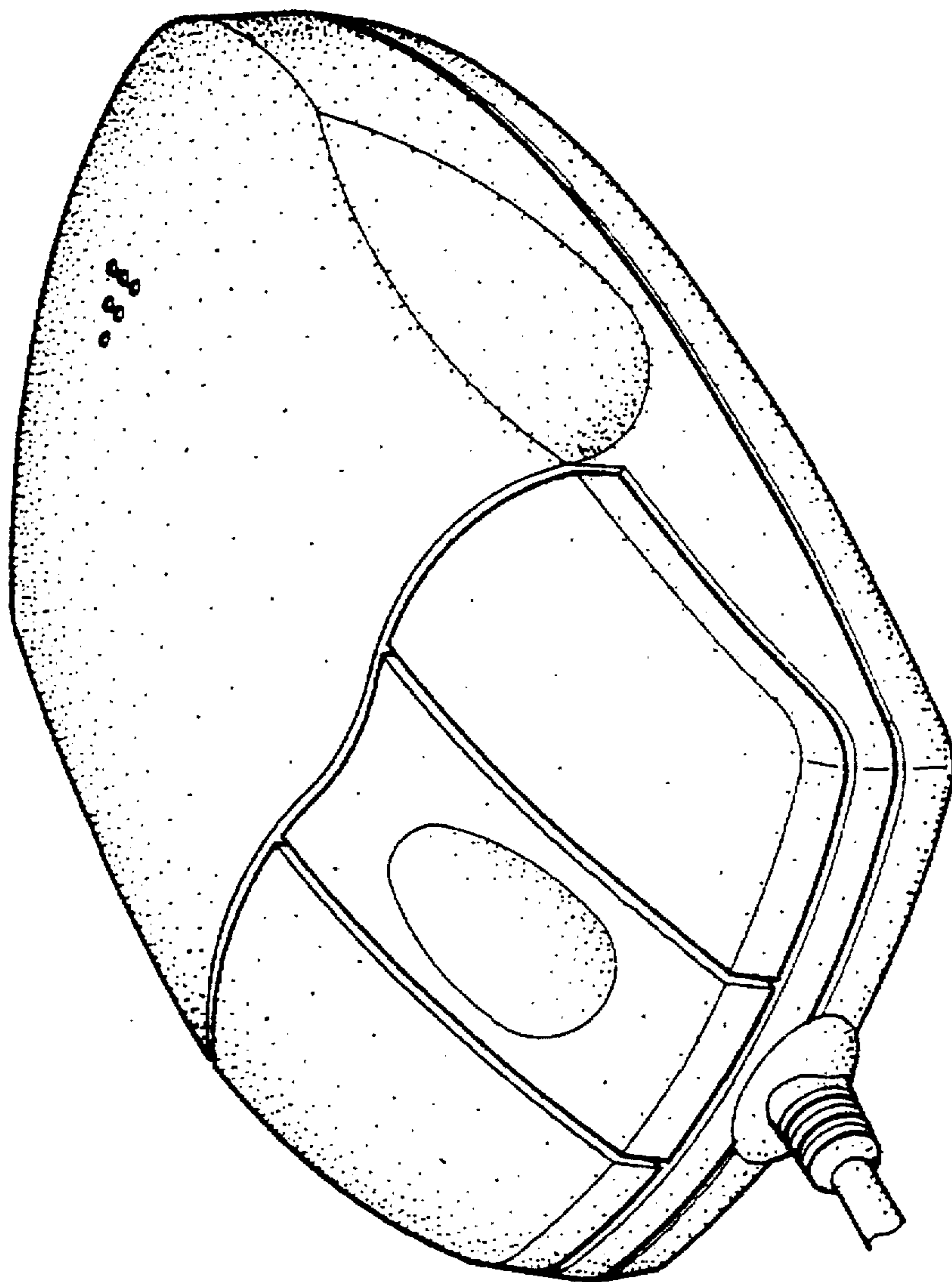


FIG. 1

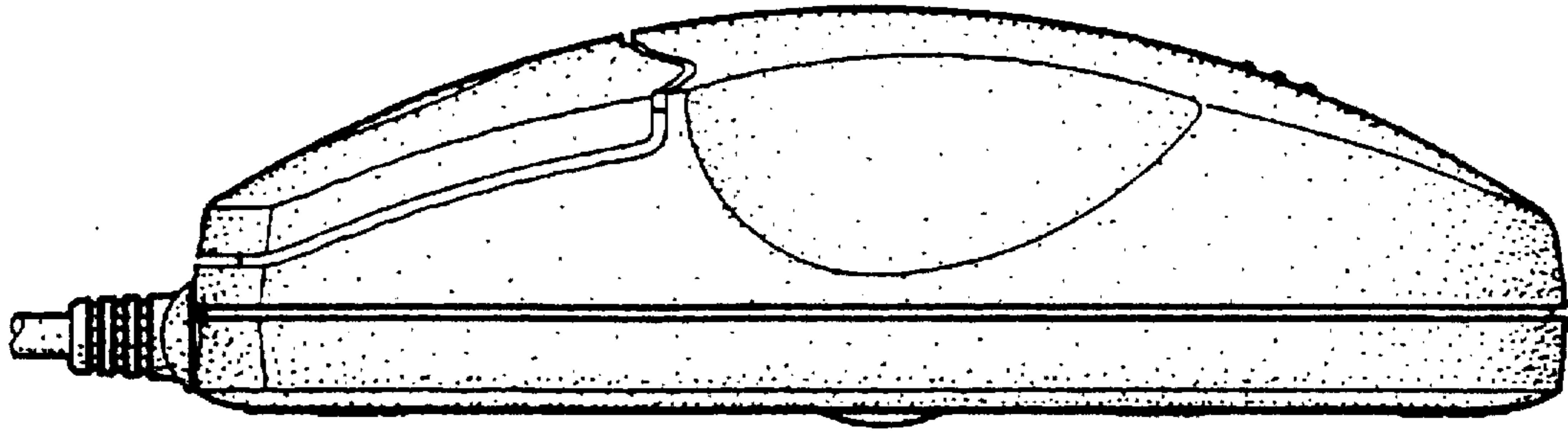


FIG. 2

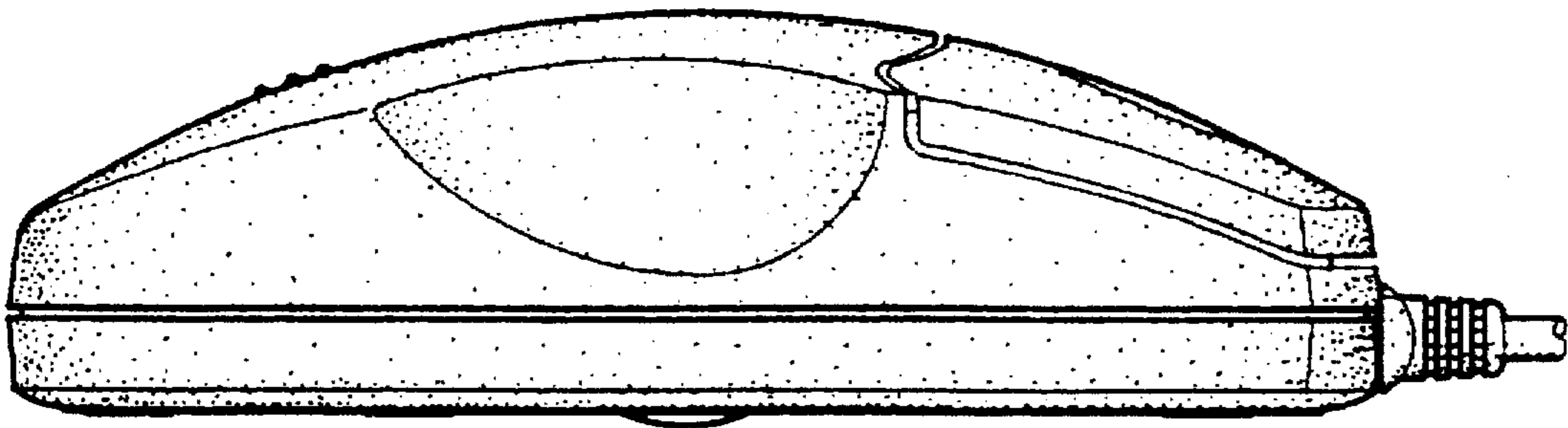


FIG. 3

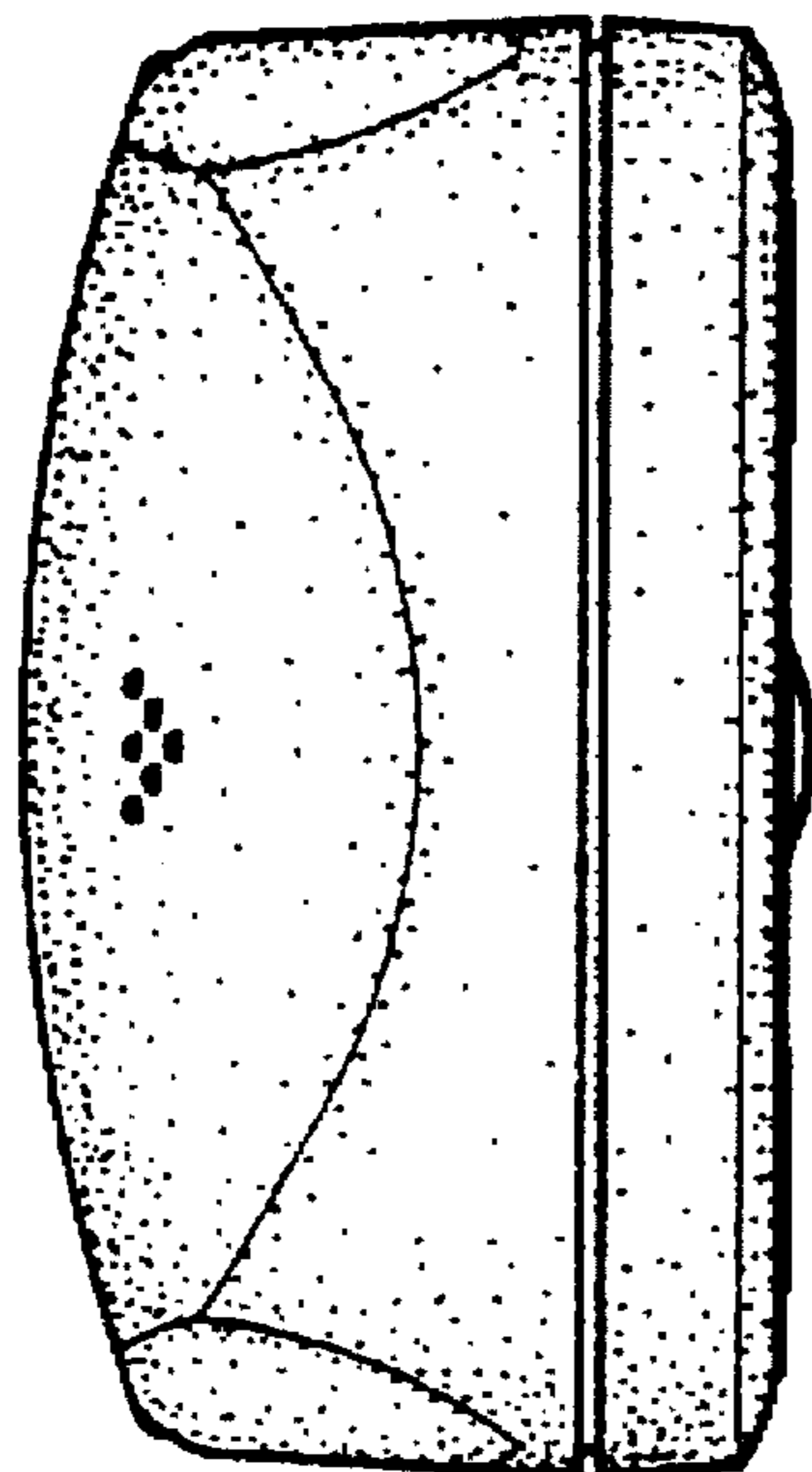


FIG. 5

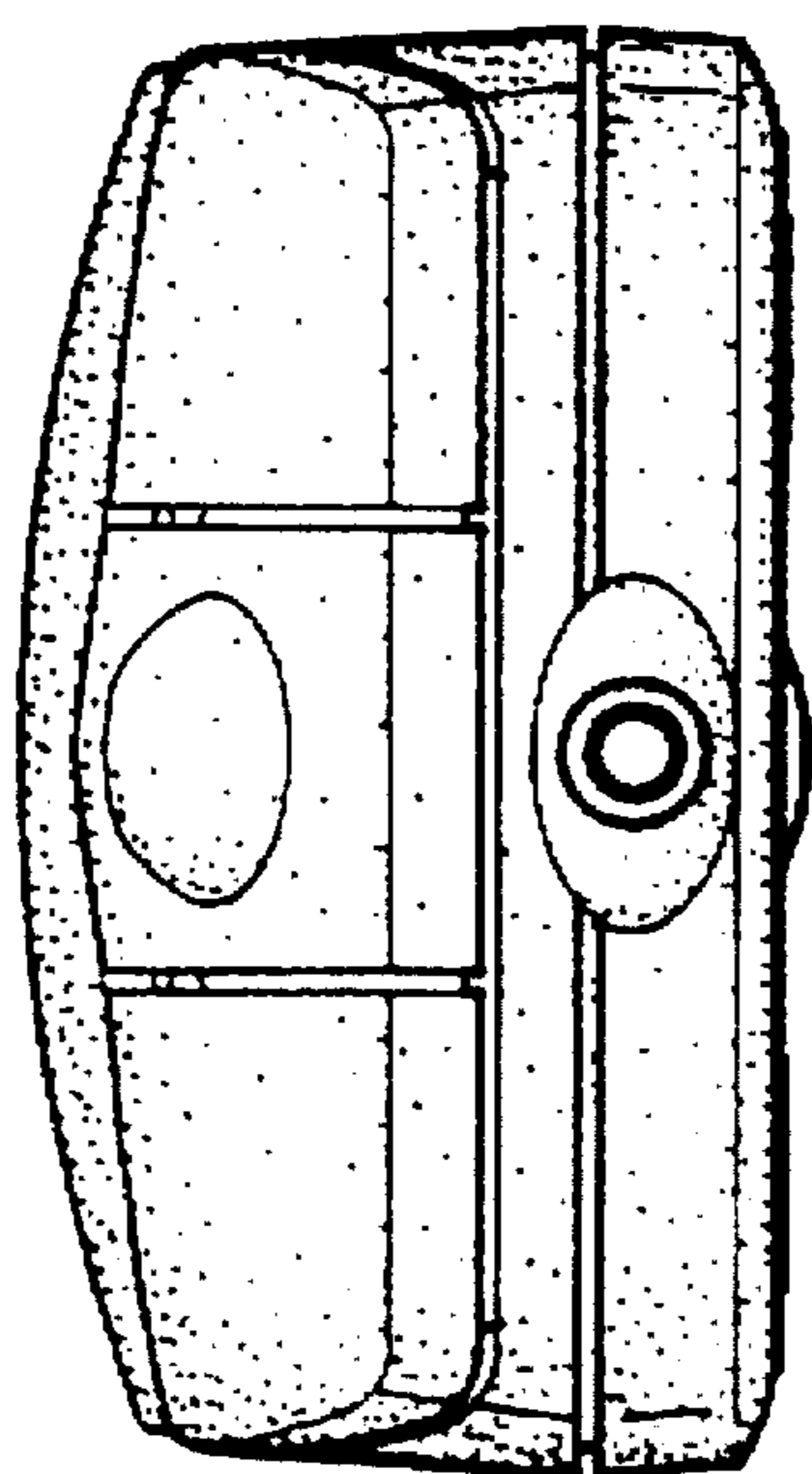


FIG. 4

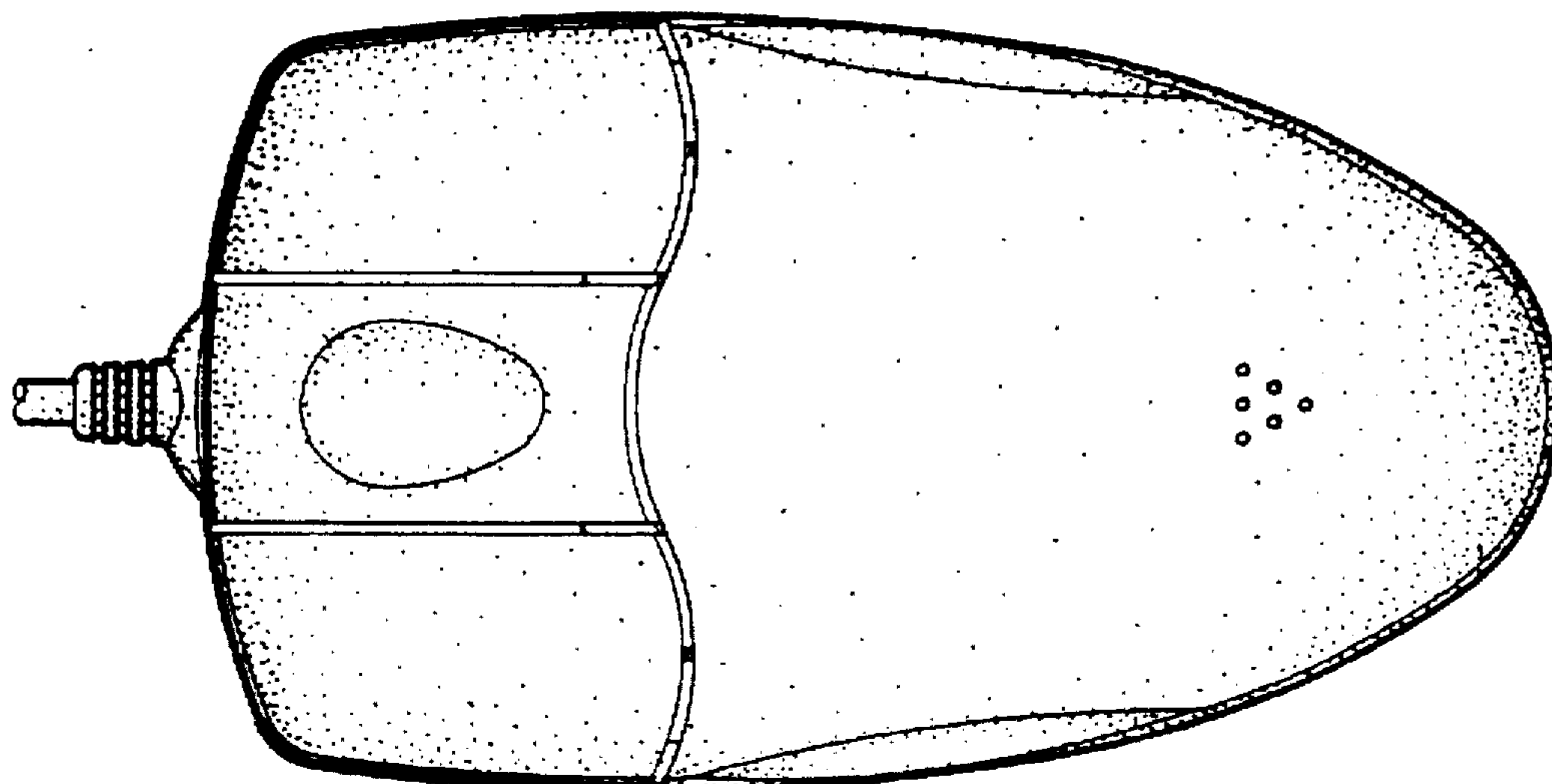


FIG. 6

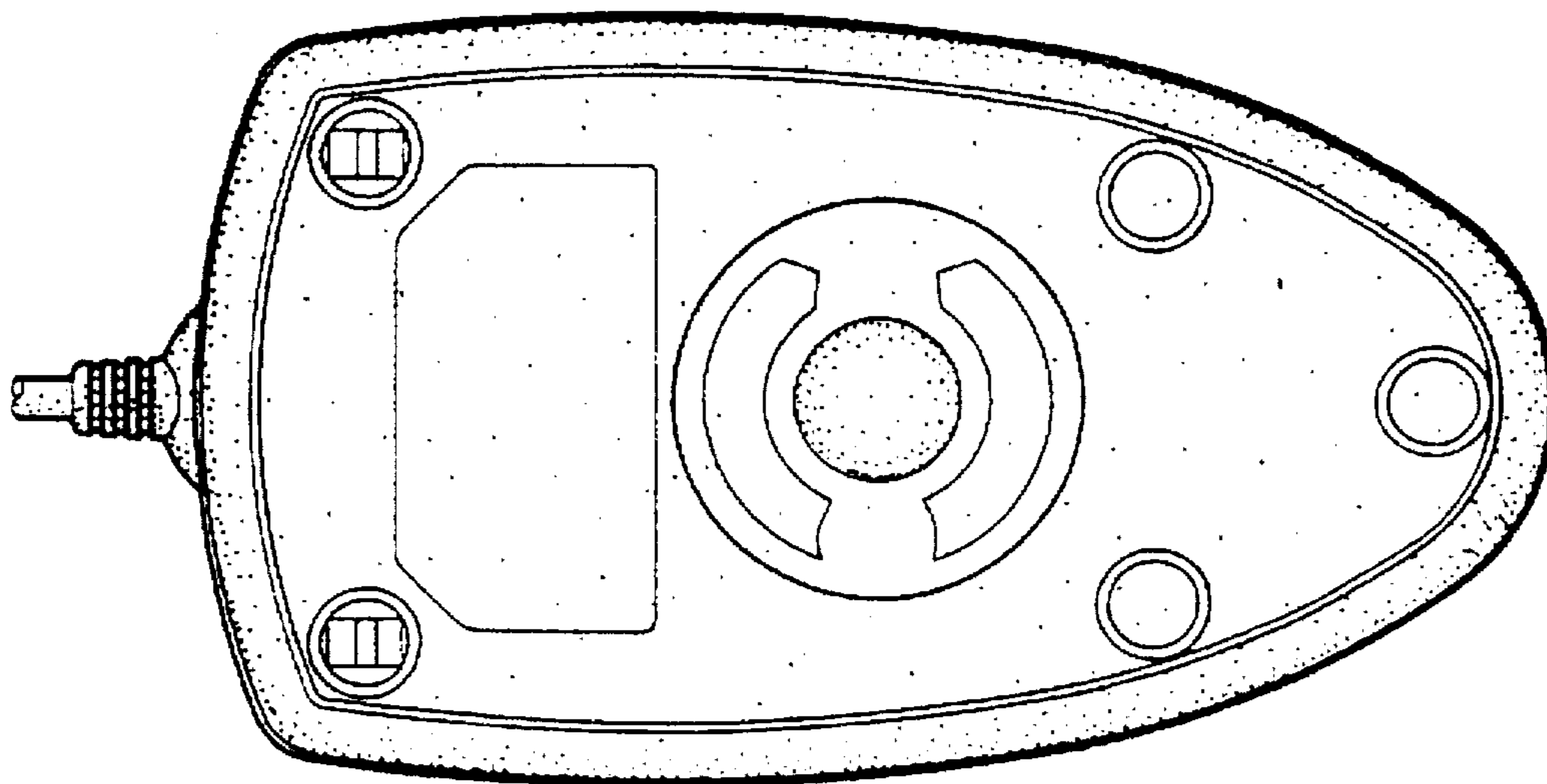


FIG. 7