



US00D385858S

United States Patent [19]
Sherry

[11] **Patent Number: Des. 385,858**

[45] **Date of Patent: **Nov. 4, 1997**

[54] **MODULE HOUSING**

DESCRIPTION

[76] **Inventor: Raymond C. Sherry, 4221 Saint Leger Dr., Cleburne, Tex. 76031**

[**] **Term: 14 Years**

[21] **Appl. No.: 53,382**

[22] **Filed: Apr. 19, 1996**

[51] **LOC (6) Cl. 14-02**

[52] **U.S. Cl. D14/107**

[58] **Field of Search D14/100, 102, D14/107-109; D13/162, 184, 199; 312/208.1; 360/97.01, 97.04, 99.01; 361/728-736**

FIG. 1 is a perspective view of a first embodiment of a module housing embodying my design;

FIG. 2 is a top view thereof;

FIG. 3 is a front view thereof;

FIG. 4 is a right side view thereof;

FIG. 5 is a back view thereof;

FIG. 6 is a bottom view thereof;

FIG. 7 is a left side view of the module housing;

FIG. 8 is a perspective view of a second embodiment embodying my design;

FIG. 9 is a top view thereof;

FIG. 10 is a front view thereof;

FIG. 11 is a right side view, with a left side being a mirror image thereof;

FIG. 12 is a back view thereof; and,

FIG. 13 is a bottom view thereof.

[56] **References Cited**

U.S. PATENT DOCUMENTS

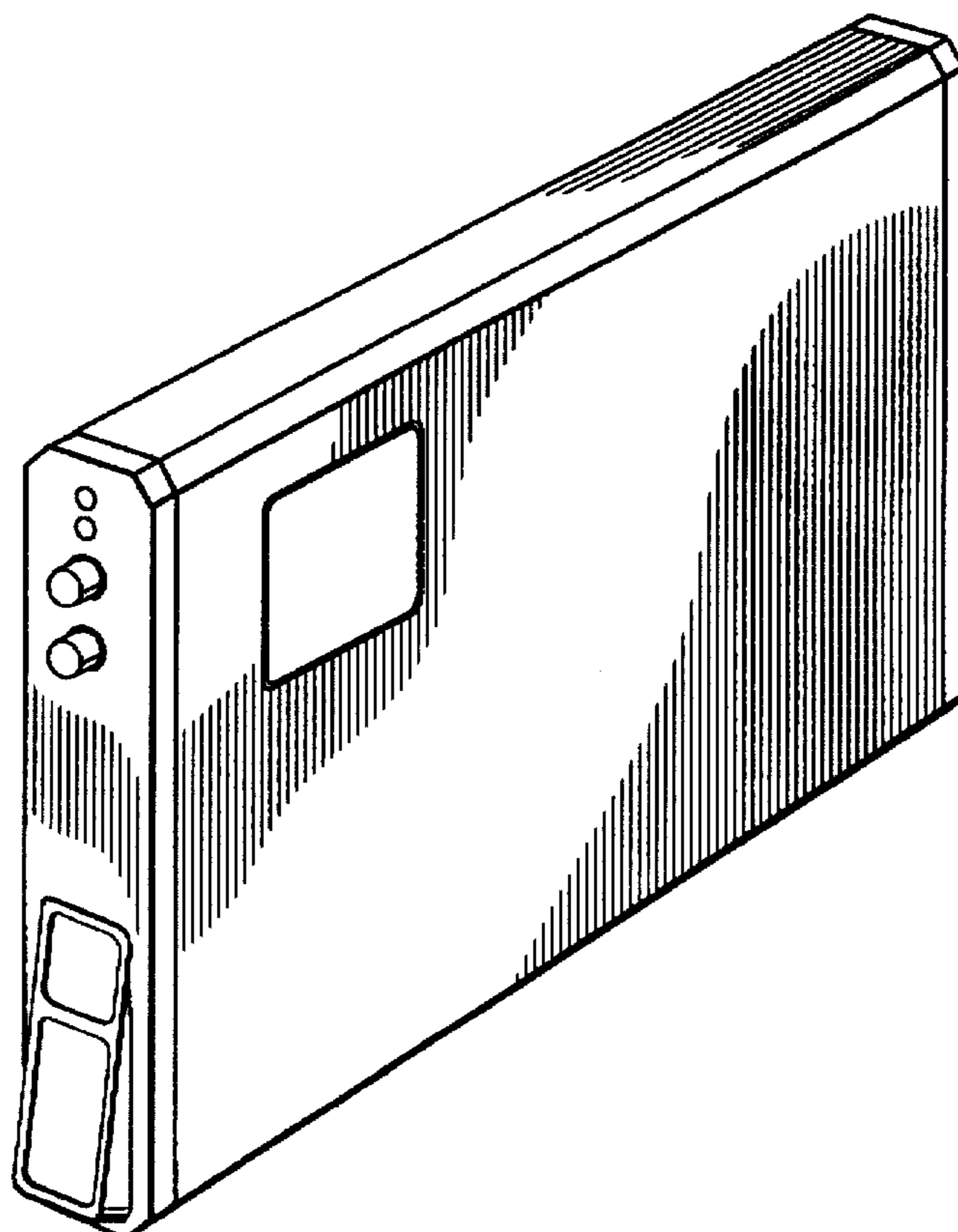
D. 348,257 6/1994 Wingate D14/114

Primary Examiner—Freda Nunn
Attorney, Agent, or Firm—Sidley & Austin

[57] **CLAIM**

The ornamental design for a module housing, as shown and described.

1 Claim, 5 Drawing Sheets



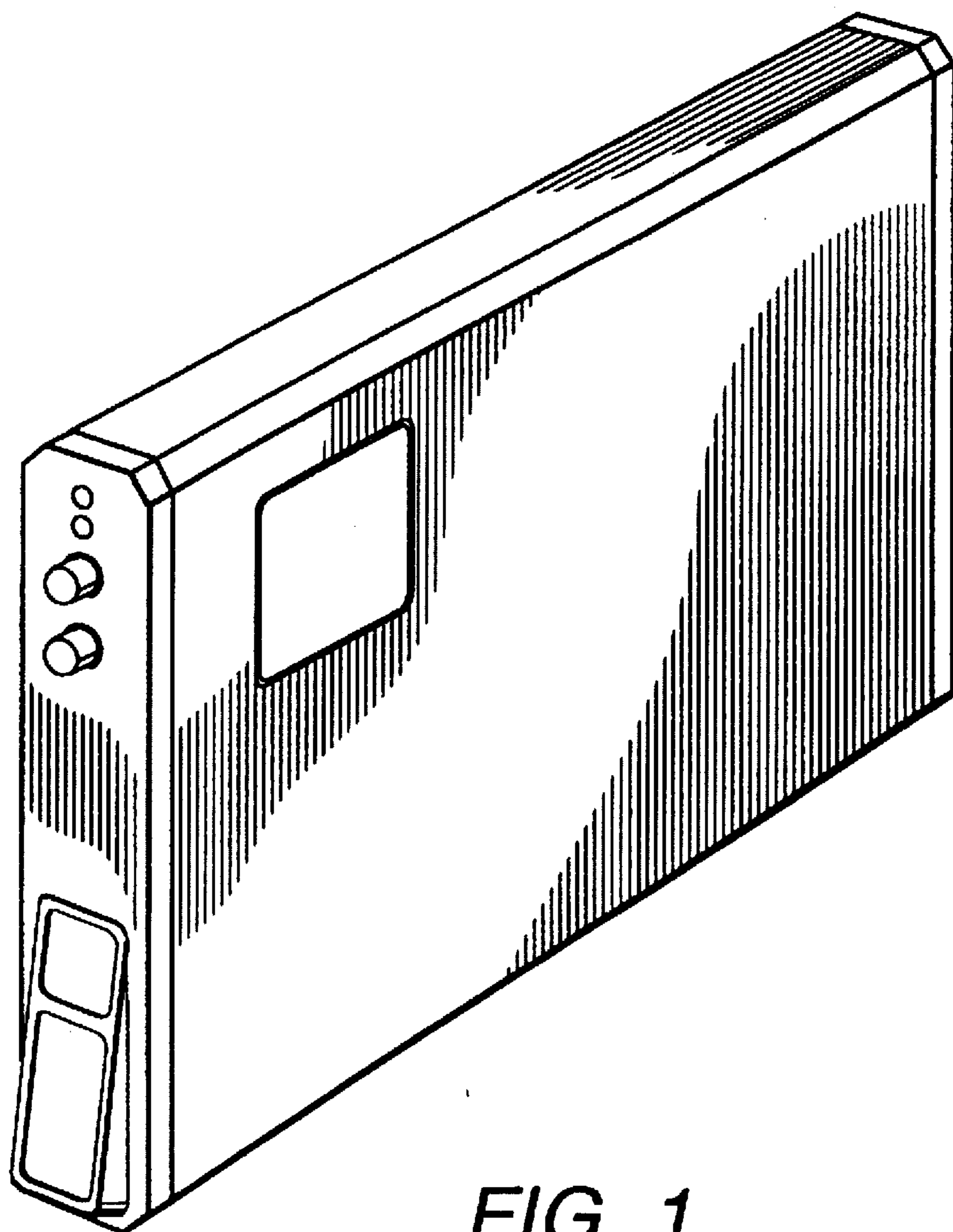


FIG. 1

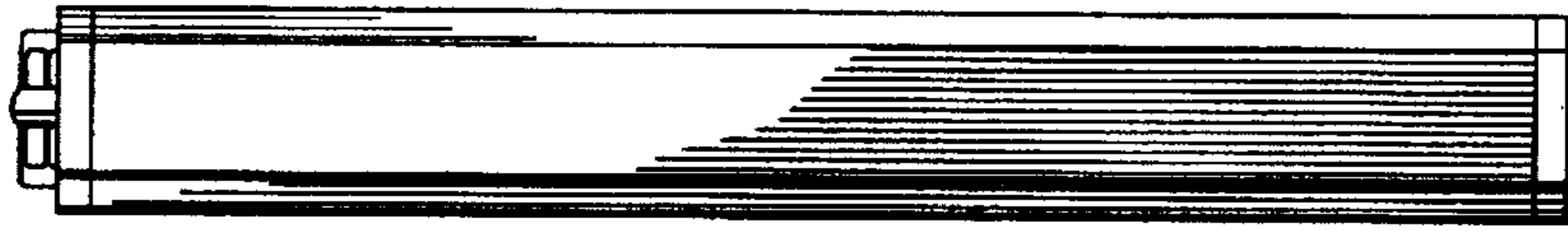


FIG. 2



FIG. 3

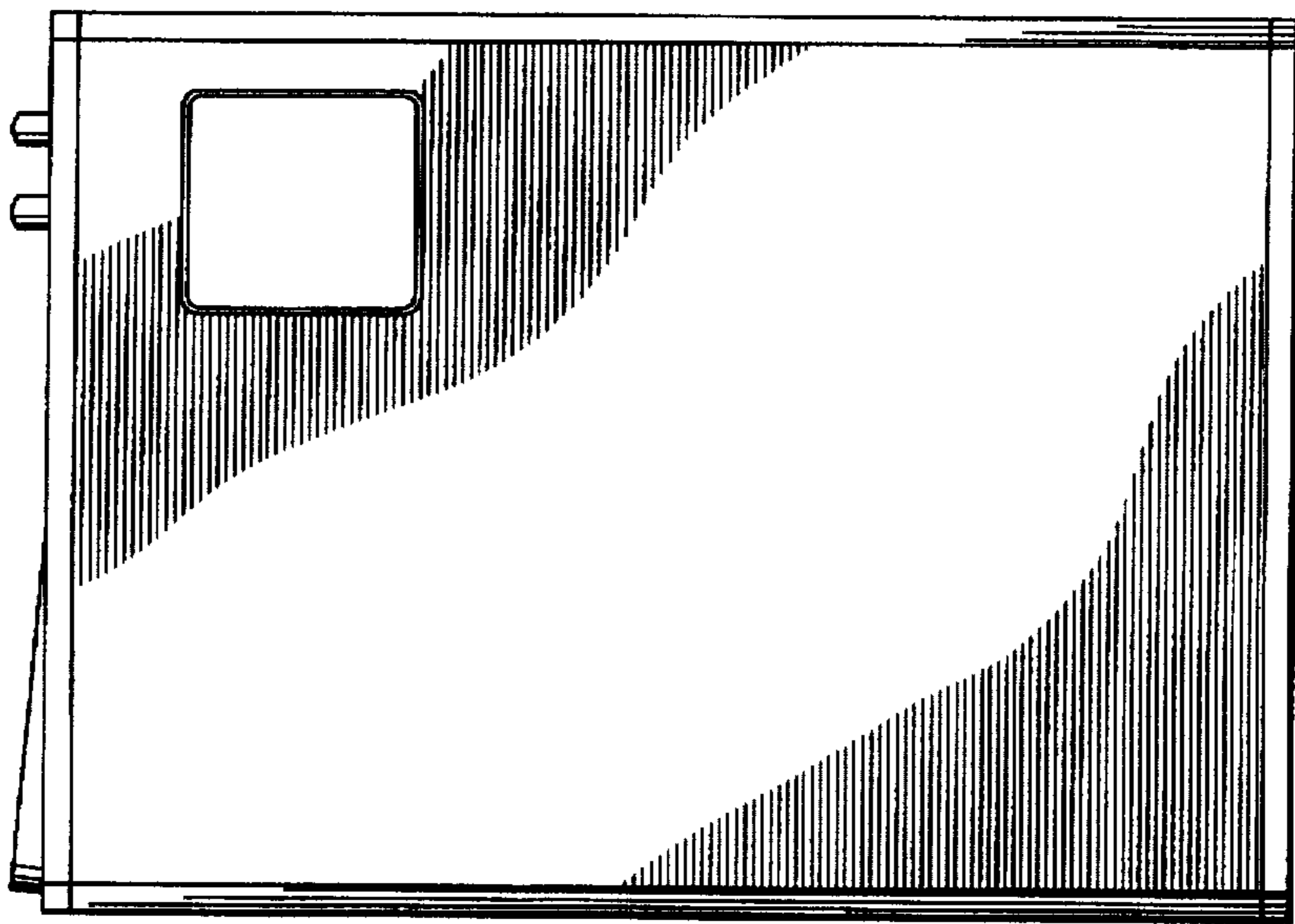


FIG. 4

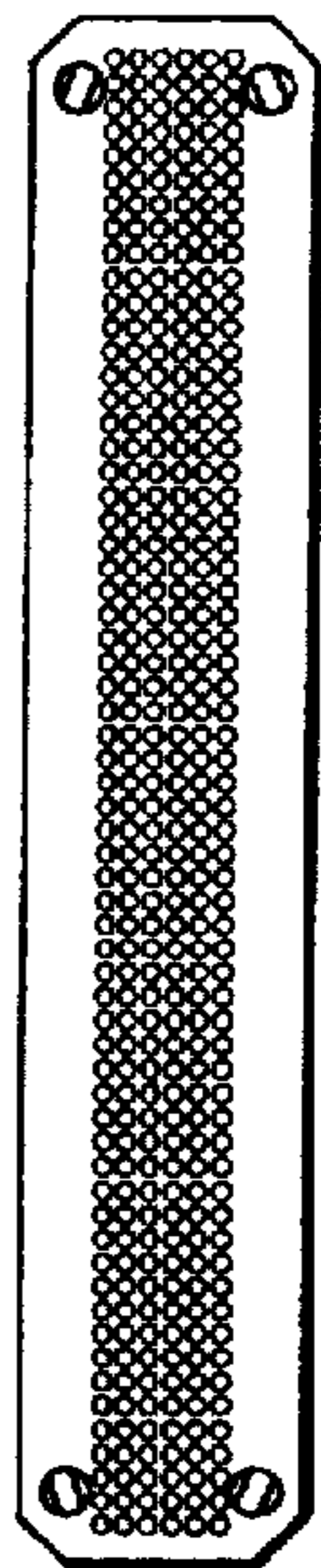


FIG. 5

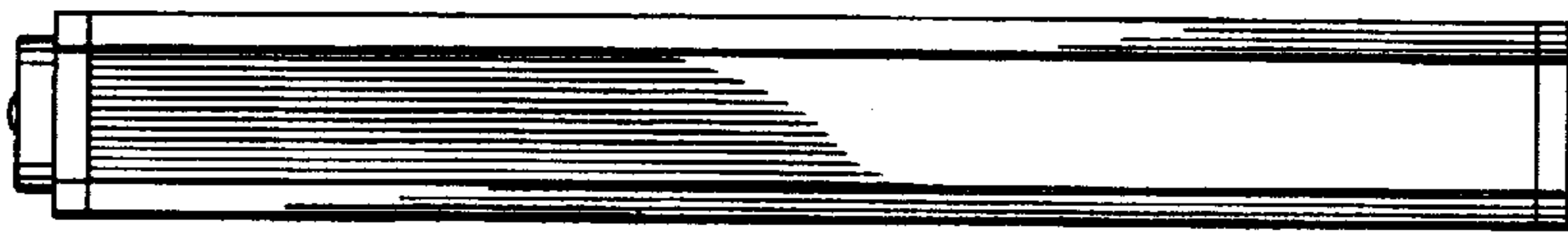


FIG. 6

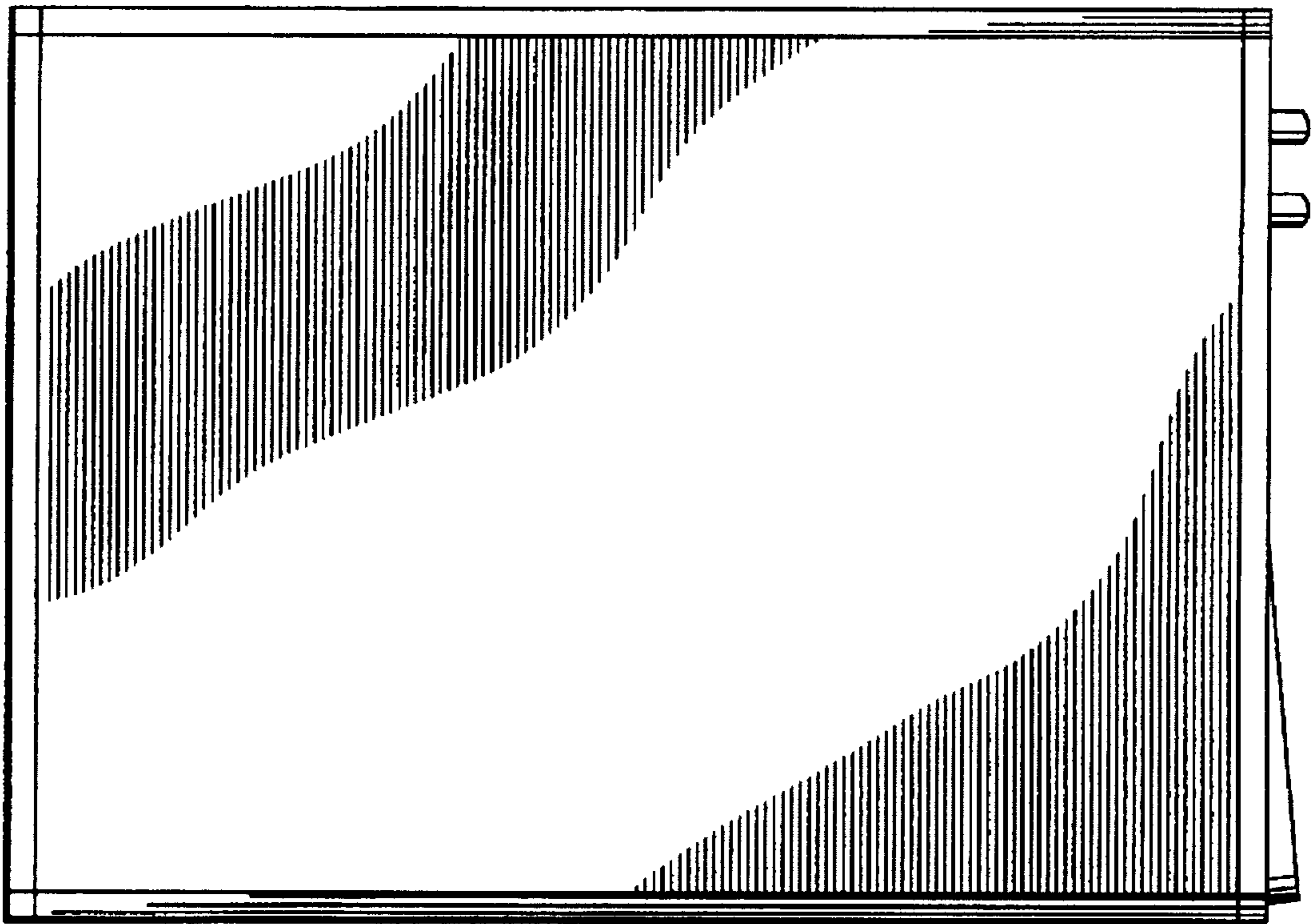


FIG. 7

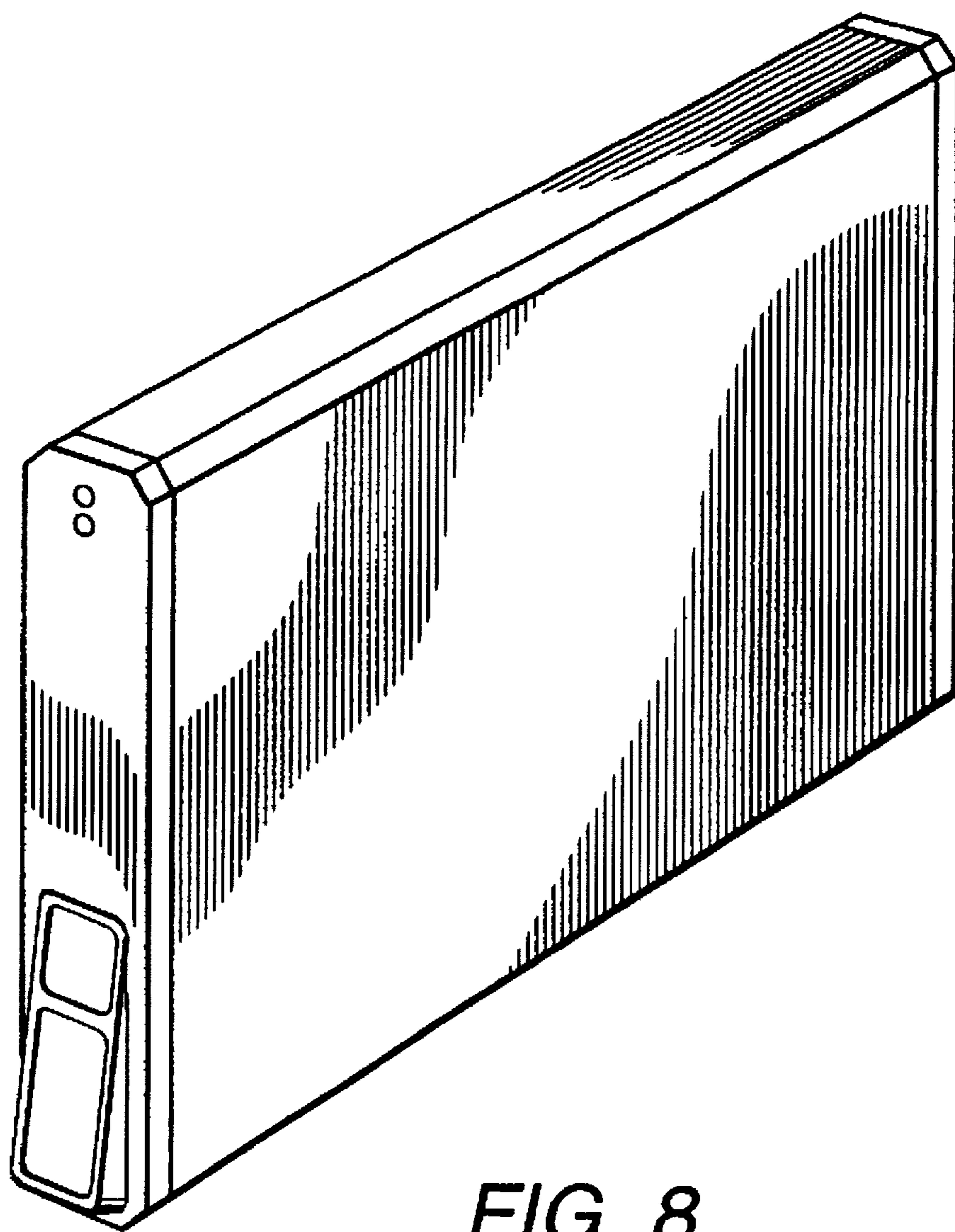


FIG. 8

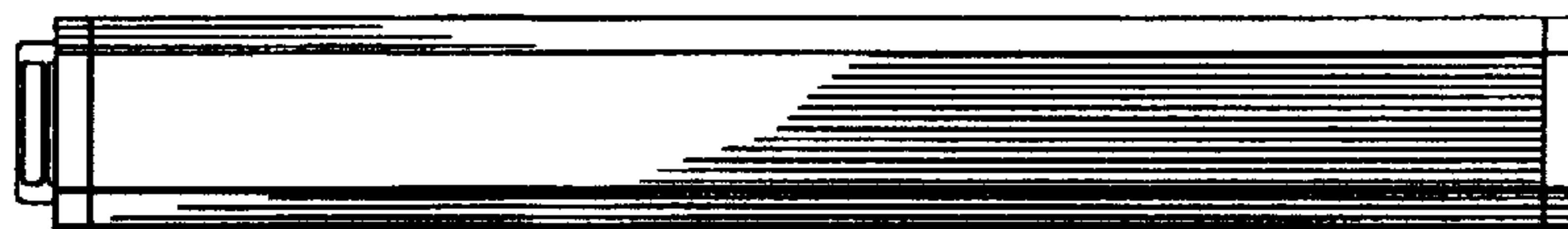


FIG. 9



FIG. 10

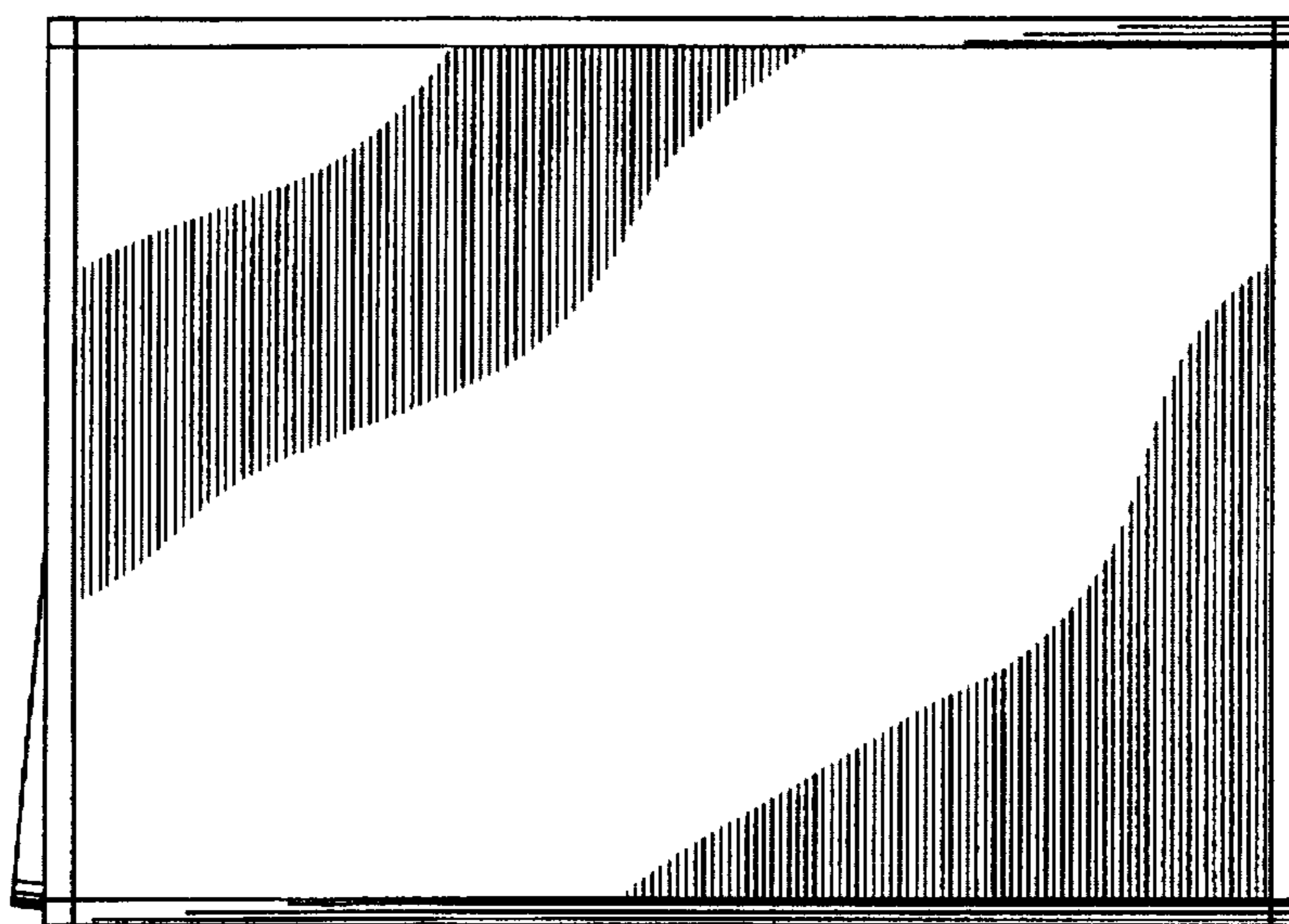


FIG. 11

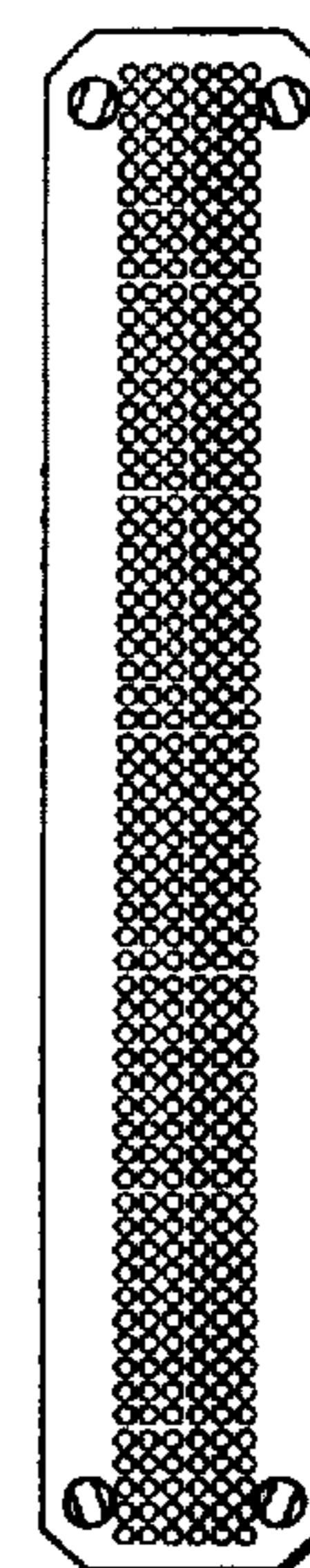


FIG. 12

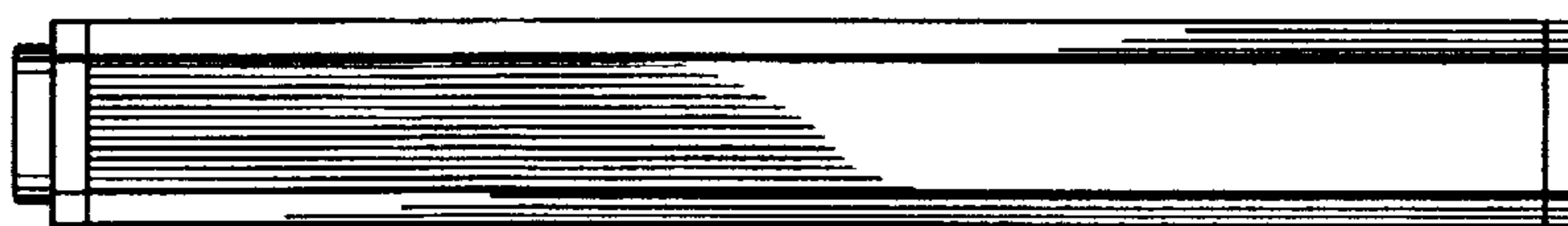


FIG. 13