

US00D385855S

United States Patent [19]
Ronzani

[11] **Patent Number:** **Des. 385,855**
[45] **Date of Patent:** ****Nov. 4, 1997**

[54] **BODY-WORN, PORTABLE COMPUTER**

5,340,972 8/1994 Sandor D14/116 X

[75] **Inventor:** **Peter A. Ronzani**, Los Gatos, Calif.

Primary Examiner—Freda Nunn
Attorney, Agent, or Firm—James J. Ralabate

[73] **Assignee:** **Xybernaut Corporation**, Fairfax, Va.

[57] **CLAIM**

[**] **Term:** **14 Years**

The ornamental design for a body-worn, portable computer, as shown and described.

[21] **Appl. No.:** **57,995**

DESCRIPTION

[22] **Filed:** **Aug. 6, 1996**

[51] **LOC (6) Cl.** **14-02**

[52] **U.S. Cl.** **D14/100; D14/114**

[58] **Field of Search** D14/100, 106,
D14/115, 116; D18/1, 7, 2; 178/18, 19;
235/462, 472, 470; 345/156, 168, 169,
172, 173; 341/22, 23; 364/708.1

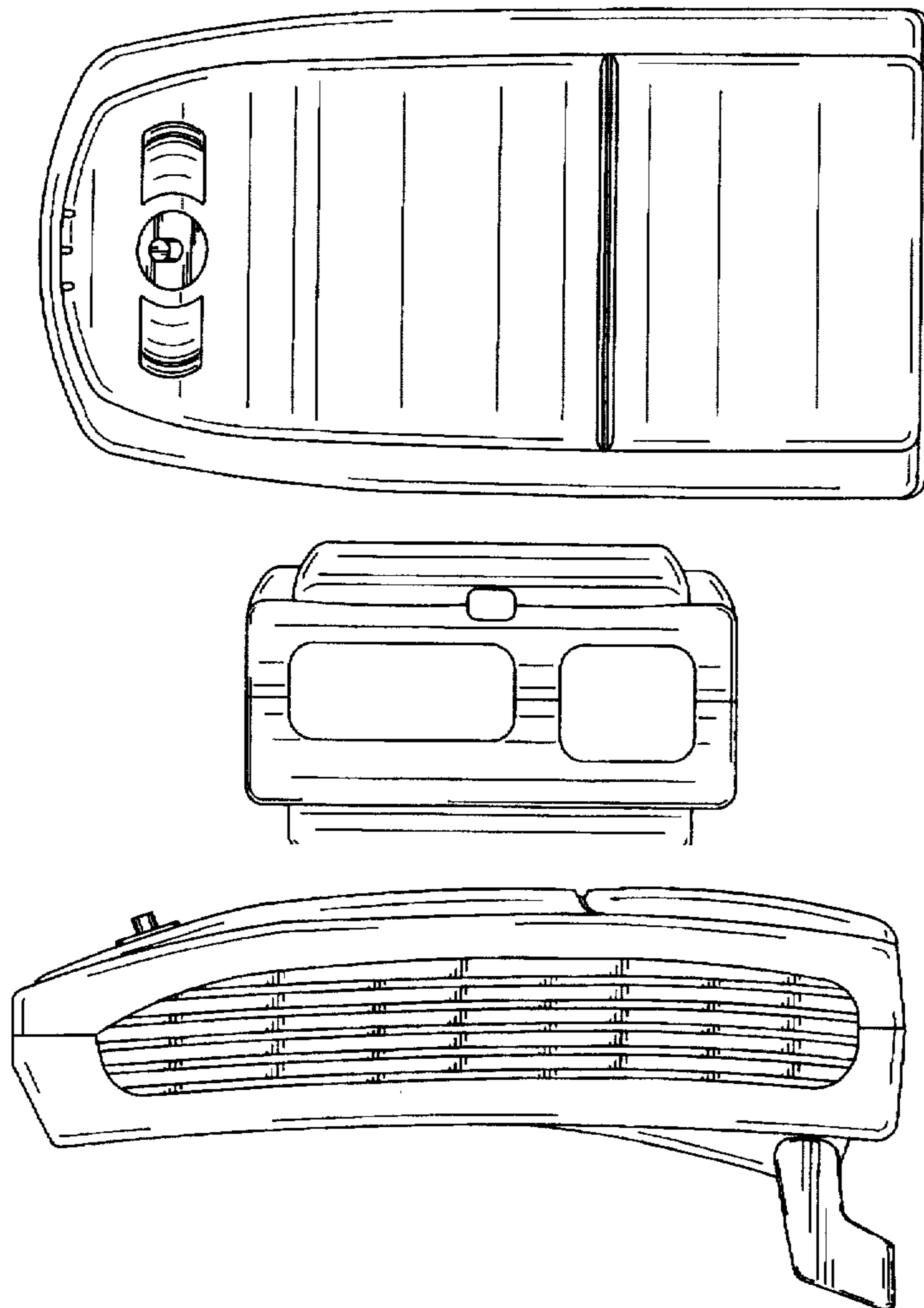
FIG. 1 is a top plan view of the body-worn, portable computer showing my new design;
FIG. 2 is a right side elevational view thereof;
FIG. 3 is a left side elevational view thereof;
FIG. 4 is a front elevational view thereof;
FIG. 5 is a back elevational view thereof;
FIG. 6 is a right side elevational view with the movable support of my new design down;
FIG. 7 is a left side elevational view with the movable support of my new design down; and,
FIG. 8 is a bottom elevational view of the body-worn, portable computer showing my new design.

[56] **References Cited**

U.S. PATENT DOCUMENTS

- D. 335,661 5/1993 Shepard D14/116
- D. 342,245 12/1993 Krichever et al. D14/116
- 4,954,817 9/1990 Levine D14/114 X
- 5,191,197 3/1993 Melitsky et al. D14/116 X

1 Claim, 7 Drawing Sheets



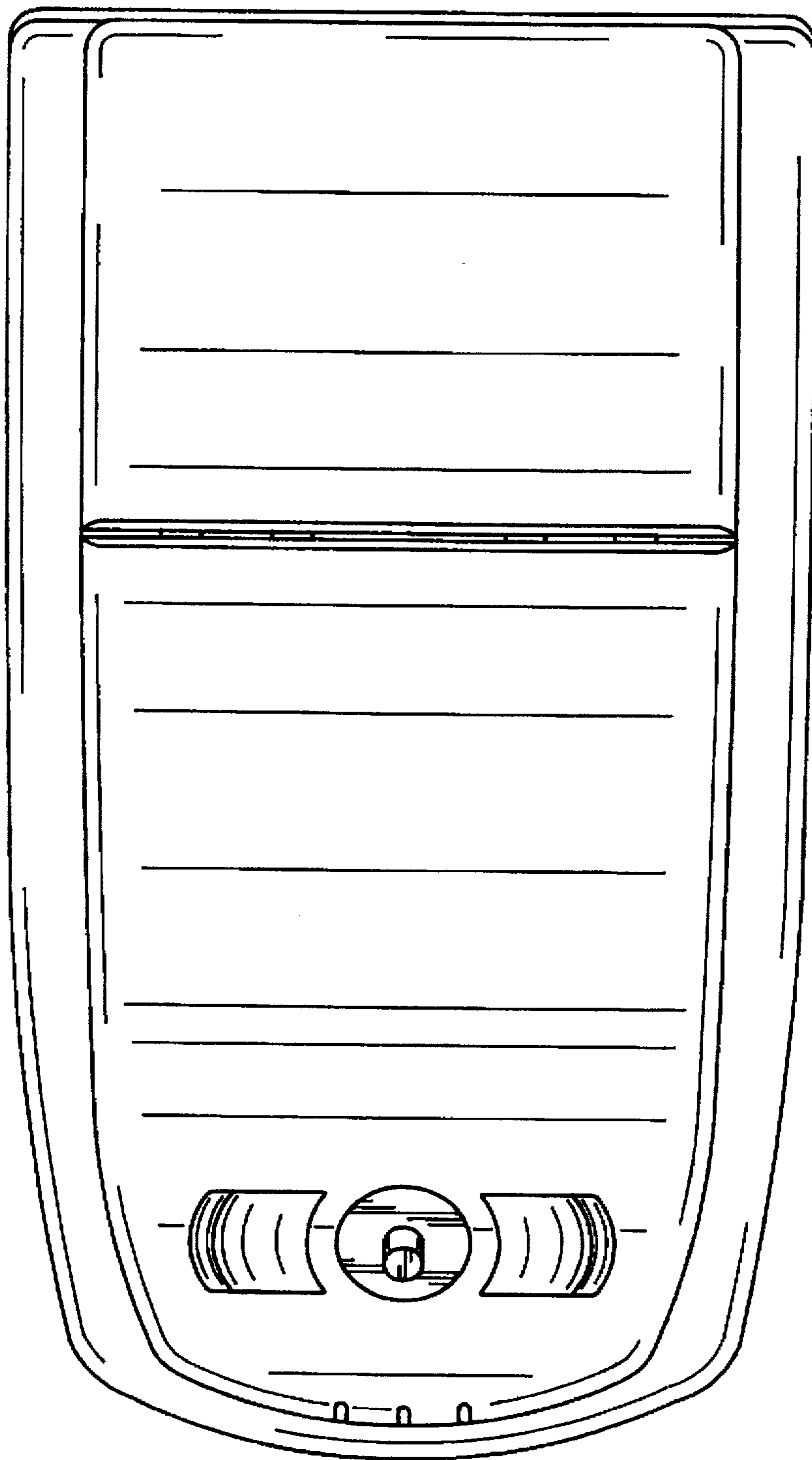


FIG. 1

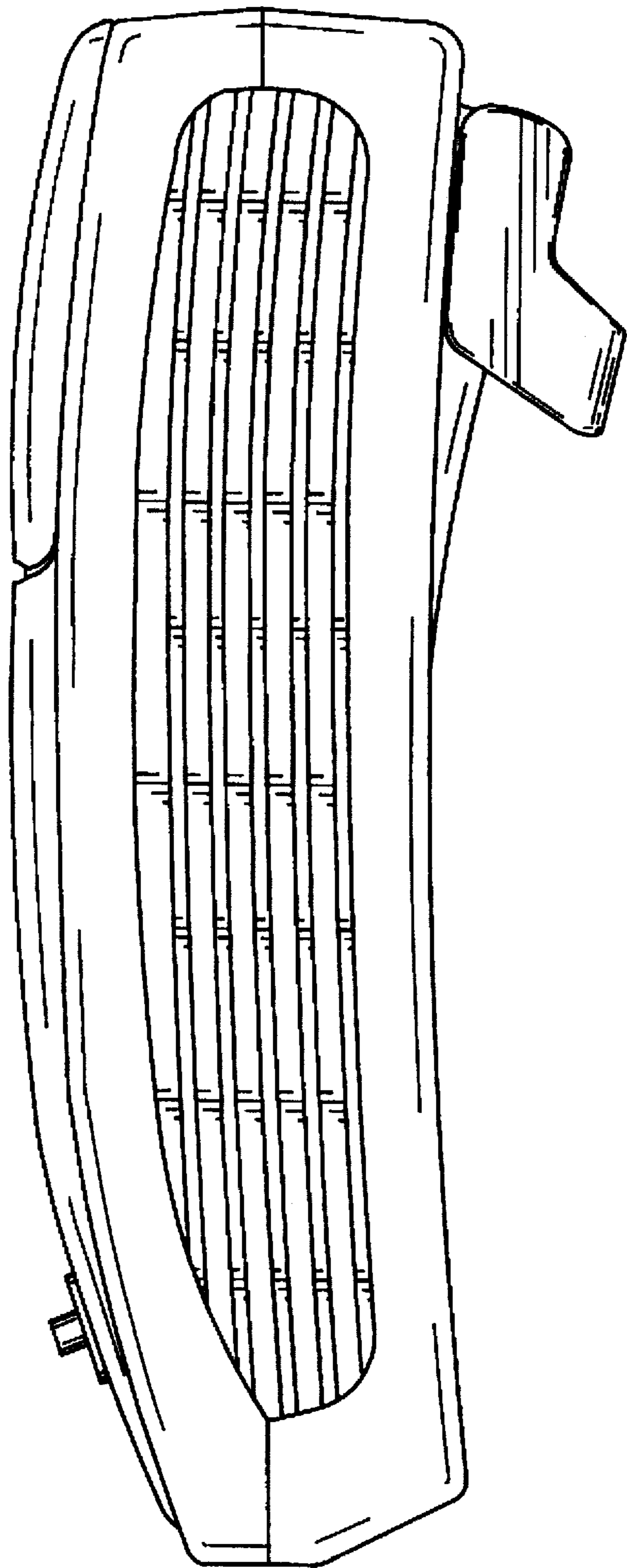


FIG. 2

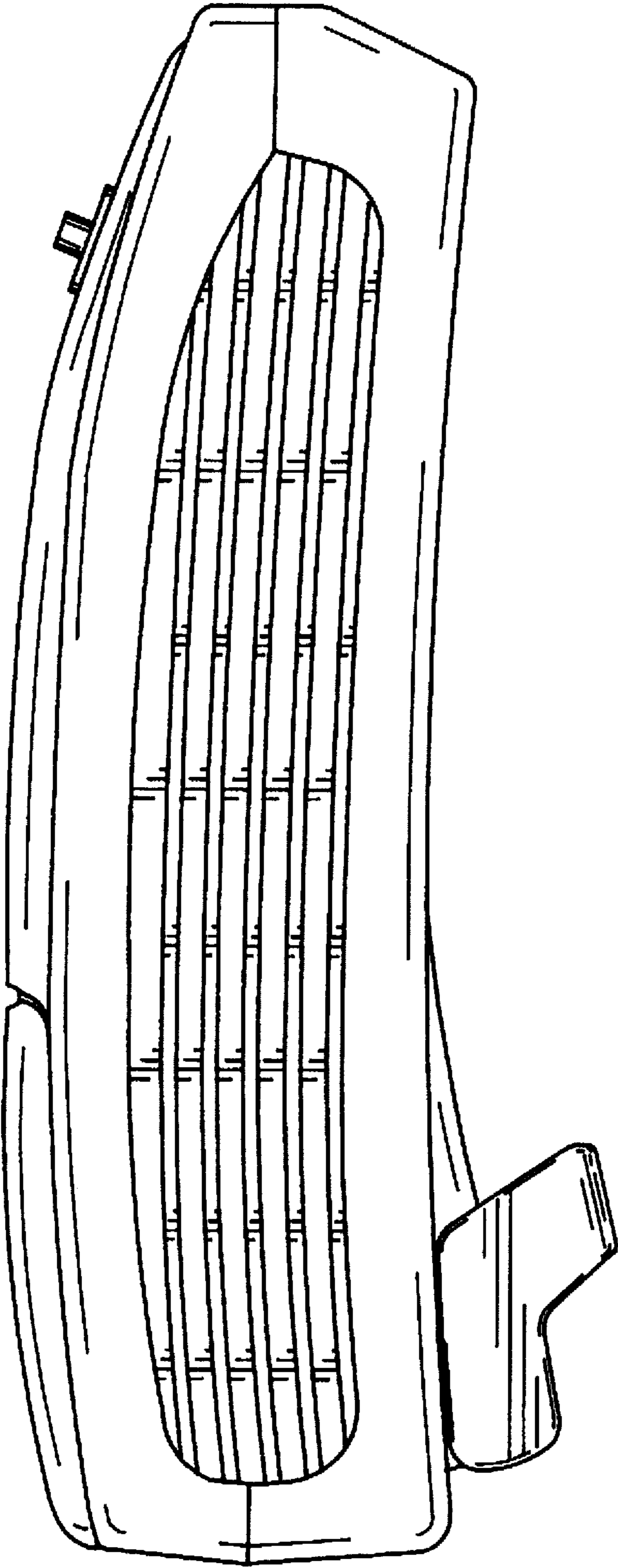


FIG. 3

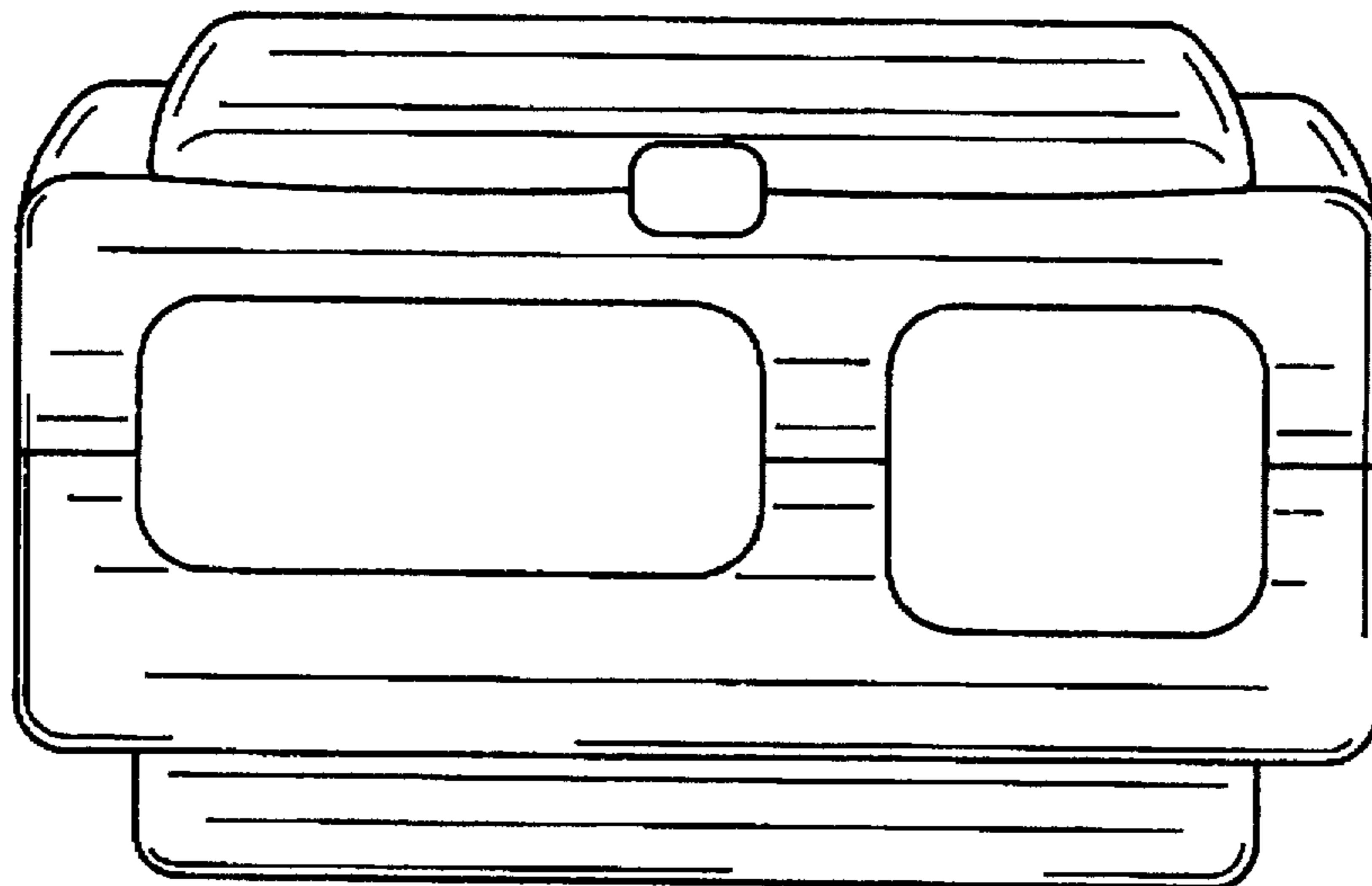


FIG. 4

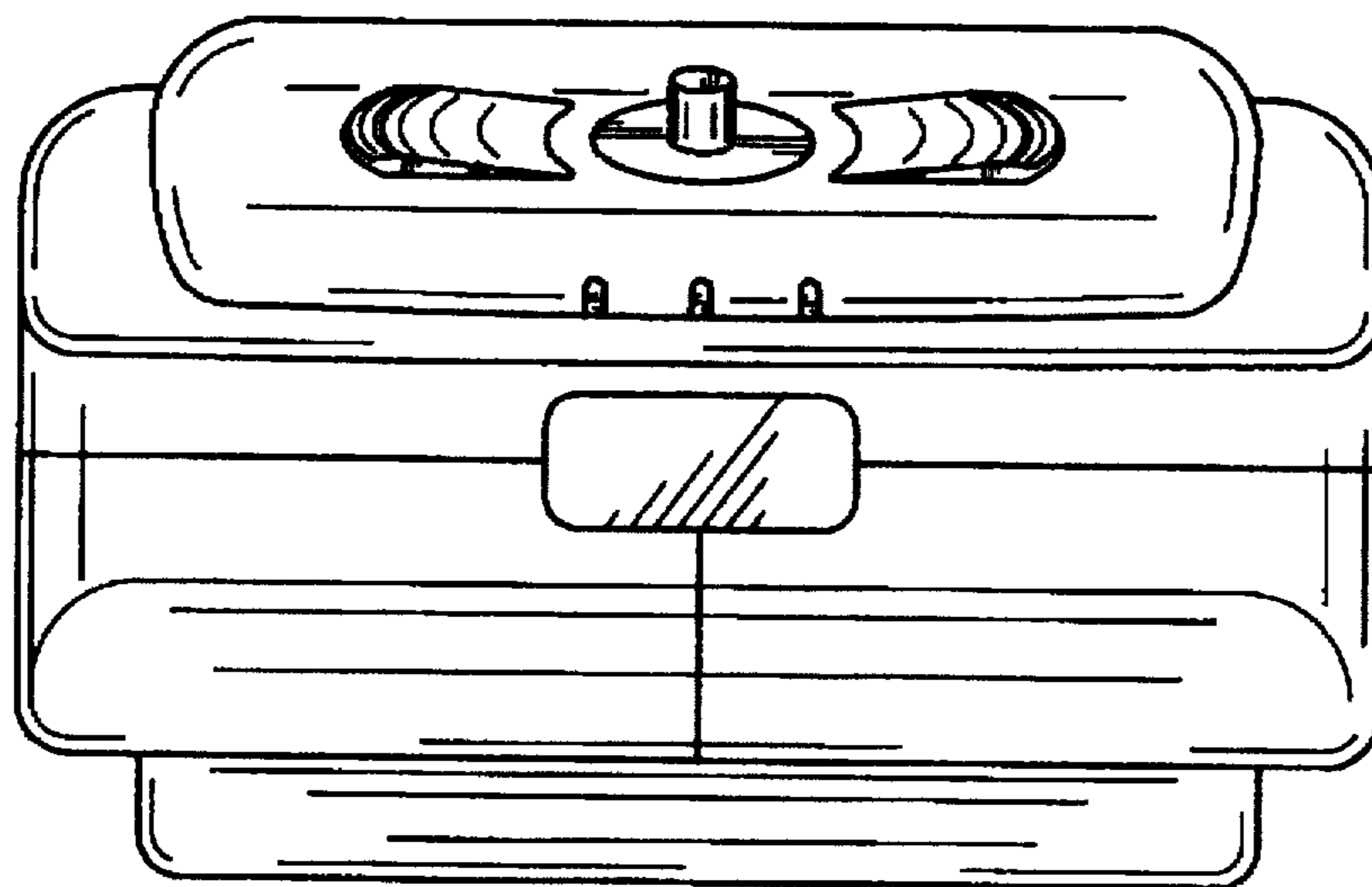


FIG. 5

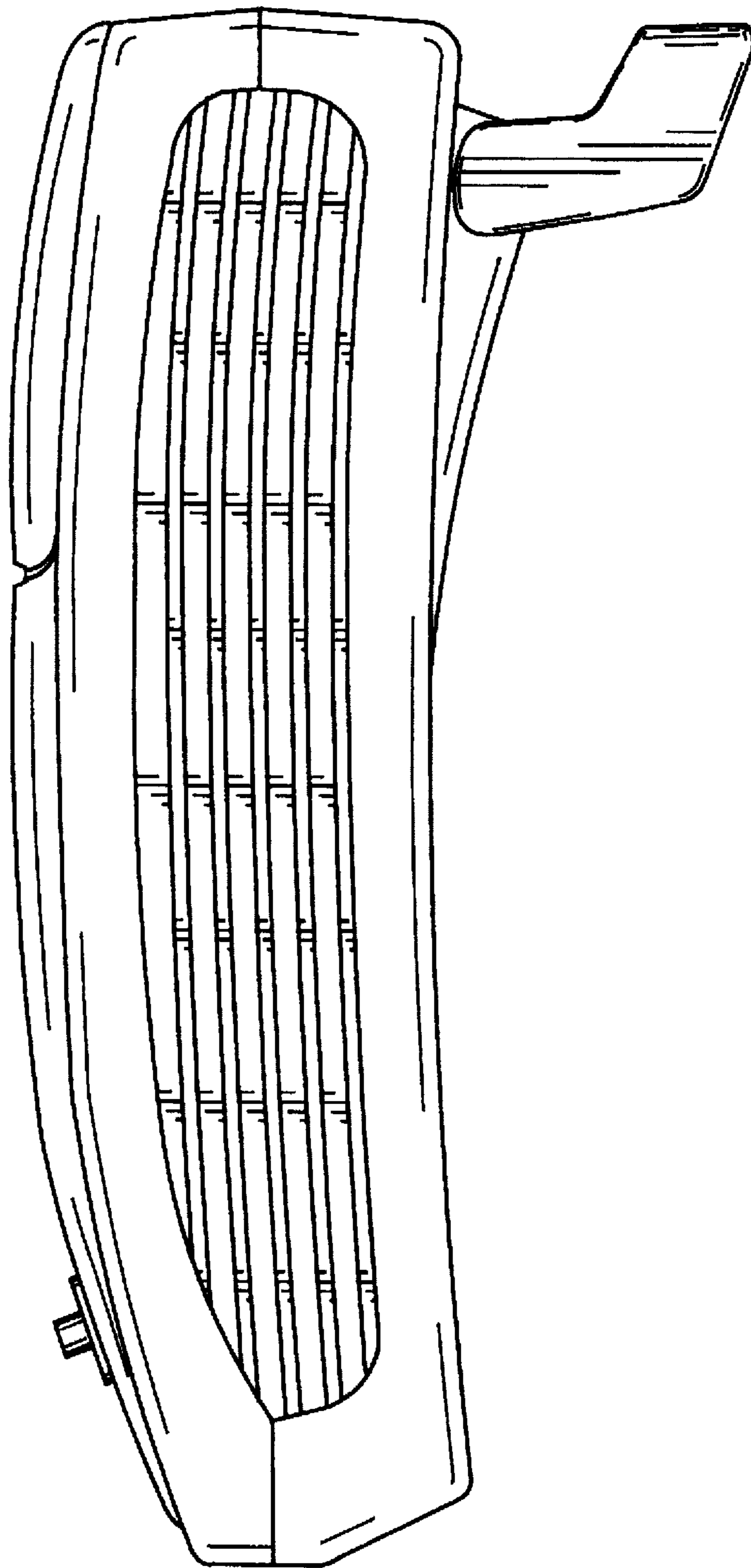


FIG. 6

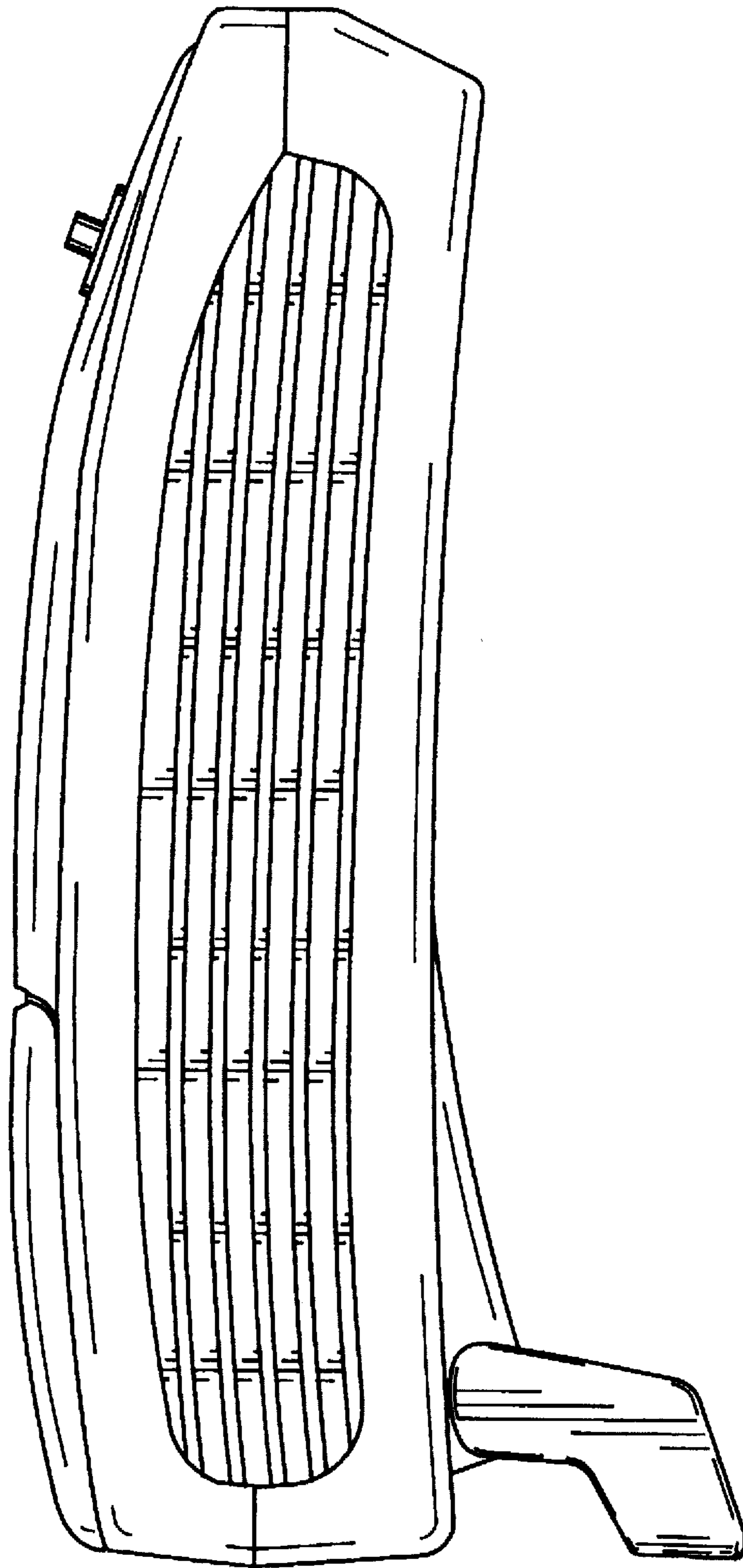


FIG. 7

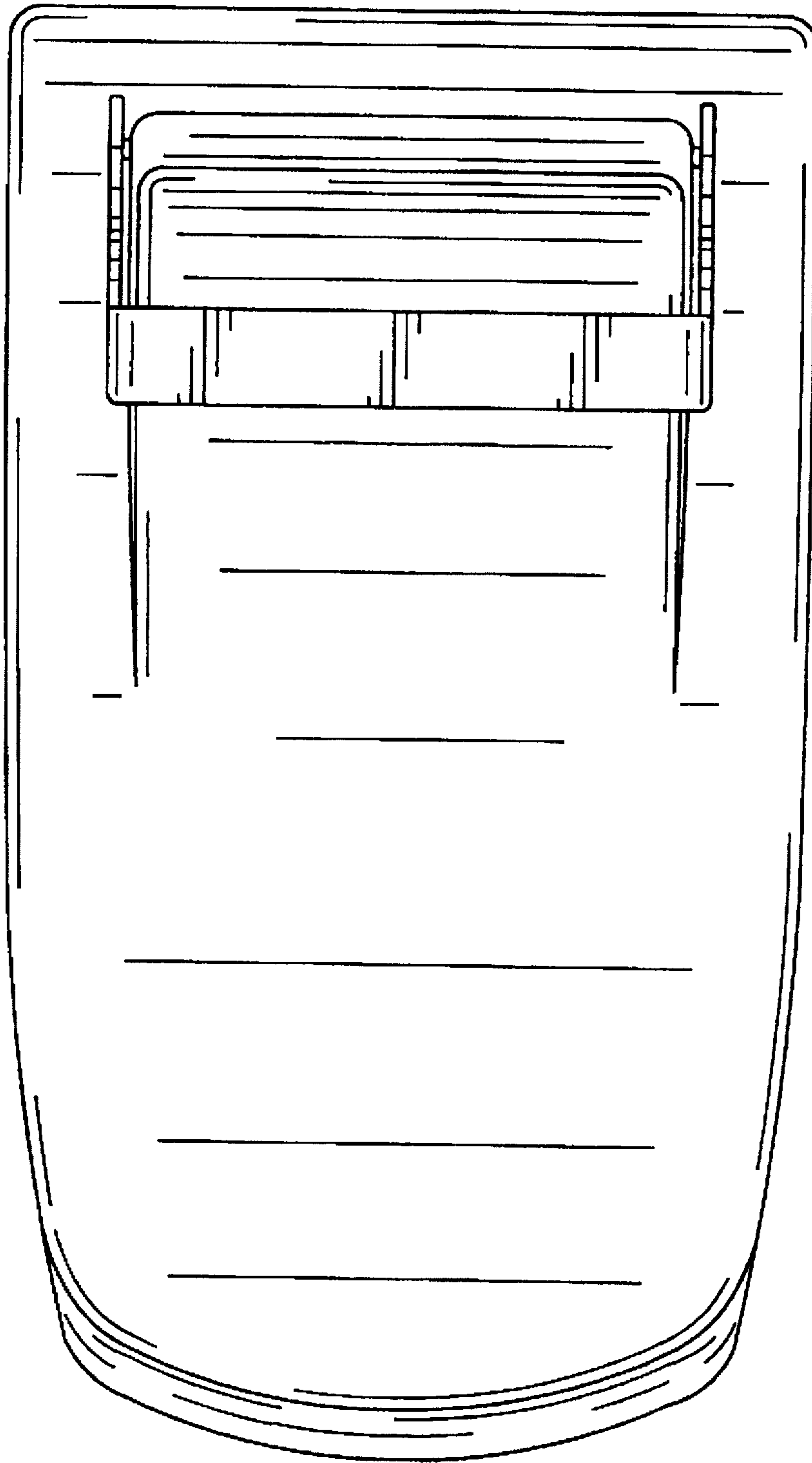


FIG. 8