



US00D385854S

# United States Patent [19] Sumii

[11] Patent Number: **Des. 385,854**  
[45] Date of Patent: **\*\*Nov. 4, 1997**

[54] **CONTROLLER FOR COMPUTER**  
[75] Inventor: **Tetsu Sumii**, Tokyo, Japan  
[73] Assignee: **Sony Kabushiki Kaisha**, Tokyo, Japan  
[\*\*] Term: **14 Years**

[21] Appl. No.: **51,694**  
[22] Filed: **Mar. 15, 1996**  
[51] LOC (6) Cl. .... **14-02**  
[52] U.S. Cl. .... **D14/100; D14/114; D21/48**  
[58] Field of Search ..... D14/100, 101,  
D14/106, 115, 158; D18/1, 2, 7; 200/5 A,  
5 R, 6 A, 6 R; 235/145 A, 145 R; 345/167,  
168, 161, 160, 163; 364/708.1; D17/1,  
4, 9; D21/13, 48

### [56] References Cited

#### U.S. PATENT DOCUMENTS

D. 250,608	12/1978	Nelson et al.	.....	D21/13
D. 251,452	3/1979	Thompson et al.	.....	D21/13
D. 299,451	1/1989	Ikeda	.....	D14/107 X
D. 340,916	11/1993	Imura	.....	D14/107 X
4,021,933	5/1977	Hughes	.....	D14/106 X

*Primary Examiner*—Freda Nunn  
*Attorney, Agent, or Firm*—Morgan & Finnegan, L.L.P.

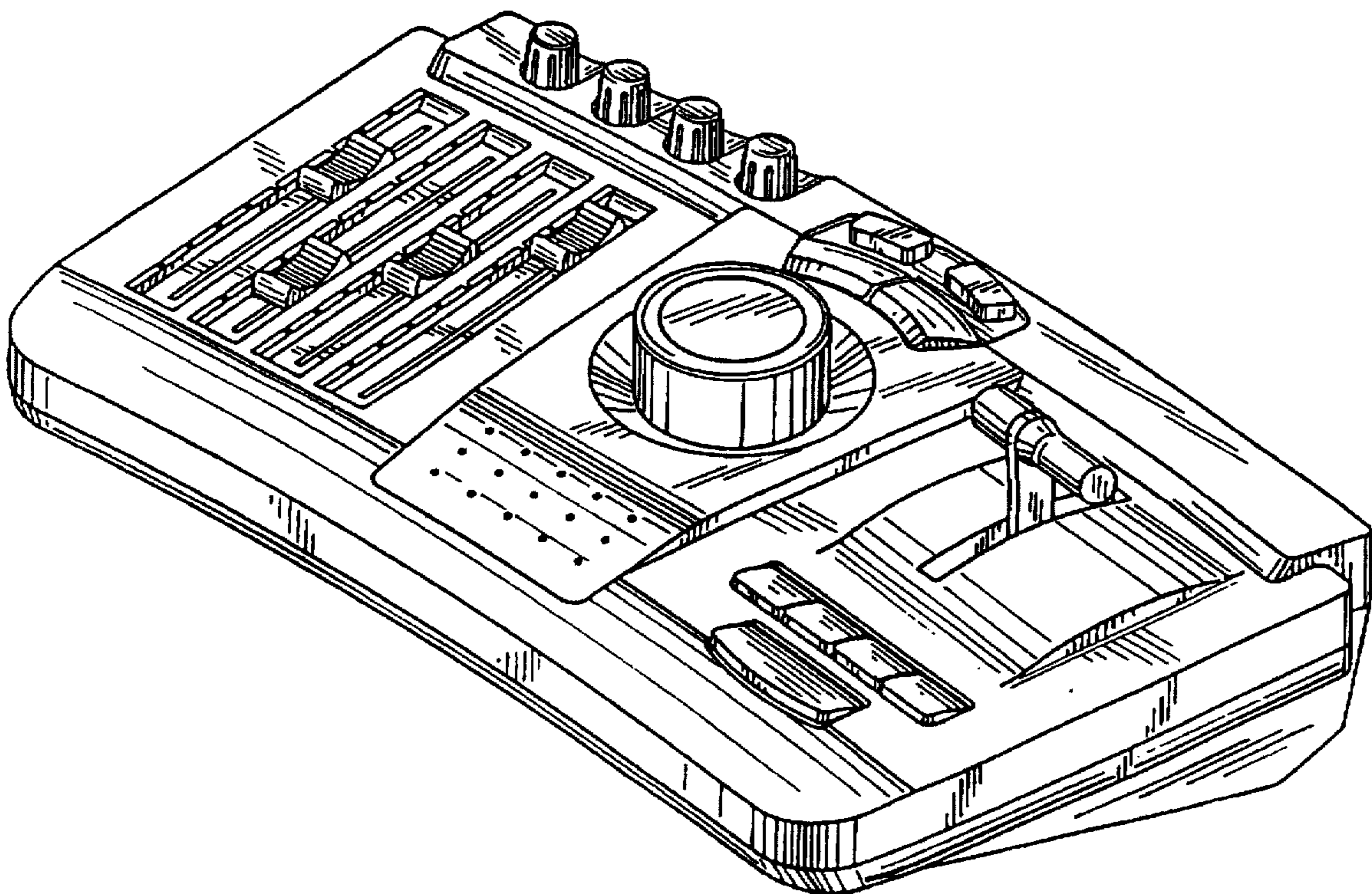
### [57] CLAIM

The ornamental design for the controller for computer, as shown and described.

### DESCRIPTION

FIG. 1 is a top plan view of the controller for computer showing my new design;  
FIG. 2 is a front elevation view of the controller of FIG. 1;  
FIG. 3 is a right-side elevation view of the controller of FIG. 1;  
FIG. 4 is a left-side elevation view of the controller of FIG. 1;  
FIG. 5 is a bottom plan view of the controller of FIG. 1;  
FIG. 6 is a rear elevation view of the controller of FIG. 1;  
FIG. 7 is a perspective view of the controller of FIG. 1 shown in a non-operating position with the slide activated controls and lever handle moved into a non-operating position; and,  
FIG. 8 is a perspective view of the controller for computer of FIG. 1 shown in operating condition with the lever handle and slide activated controls moved into an operating position.

**1 Claim, 3 Drawing Sheets**



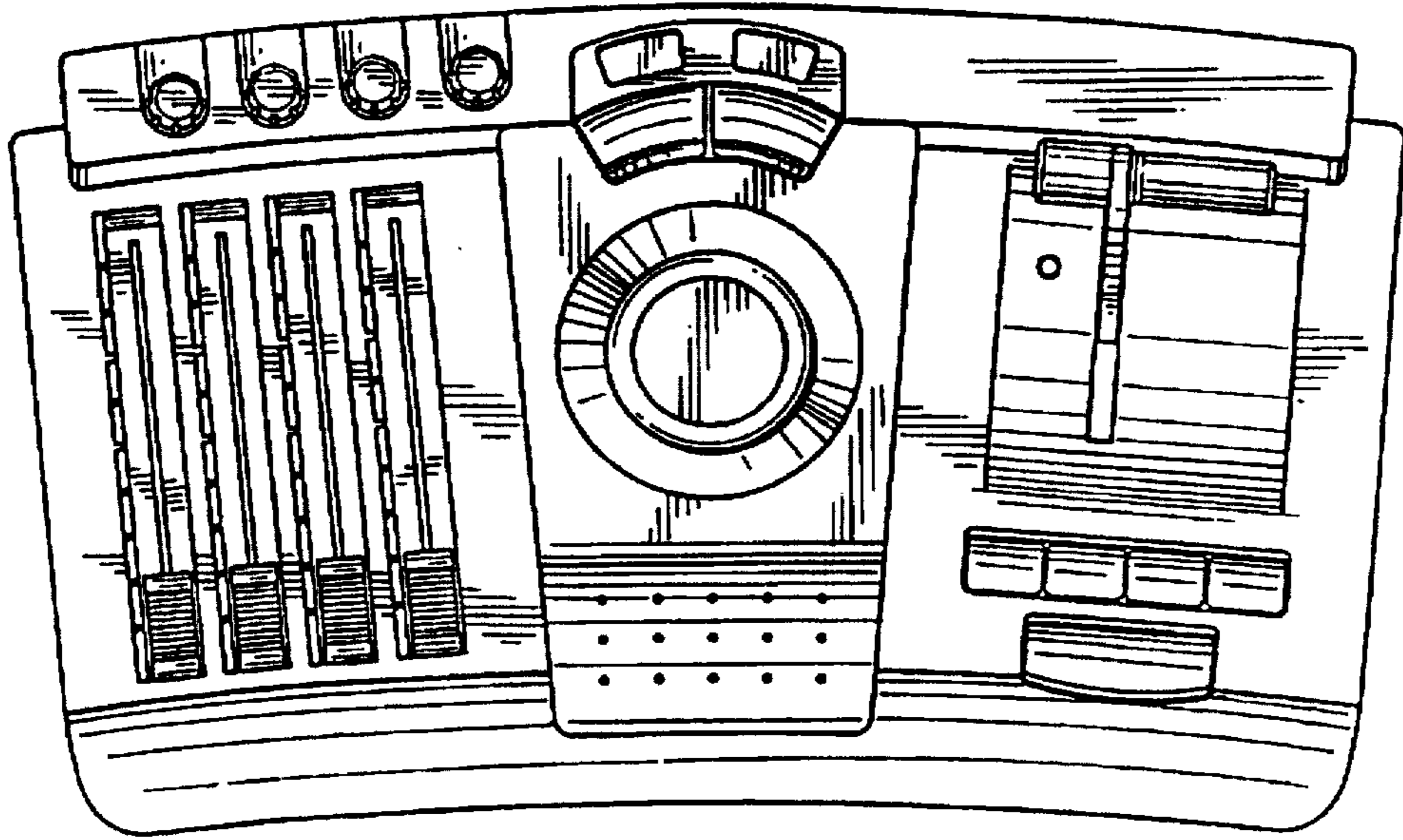


FIG. 1

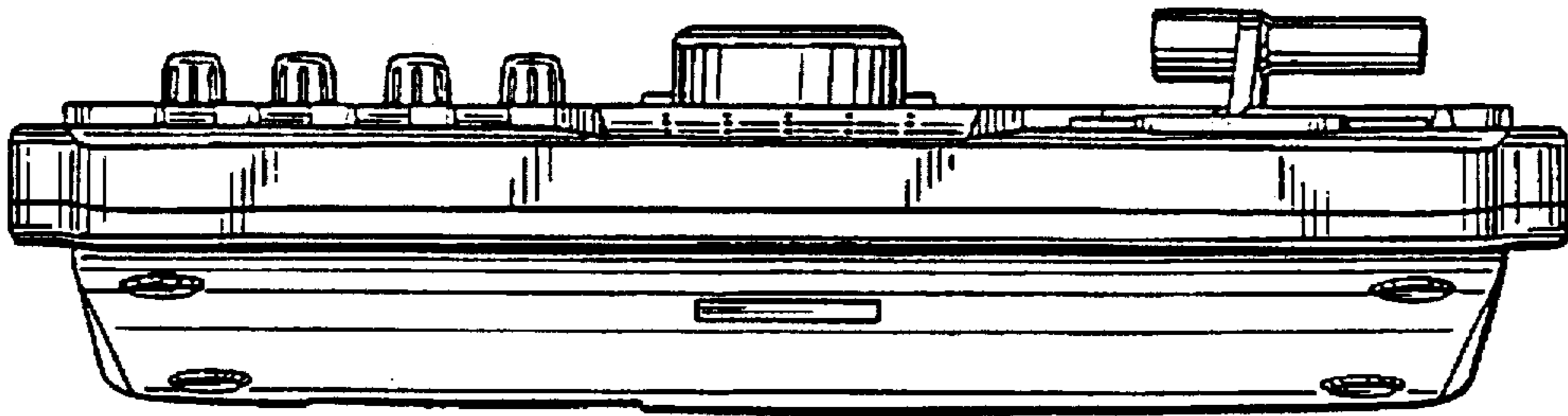


FIG. 2

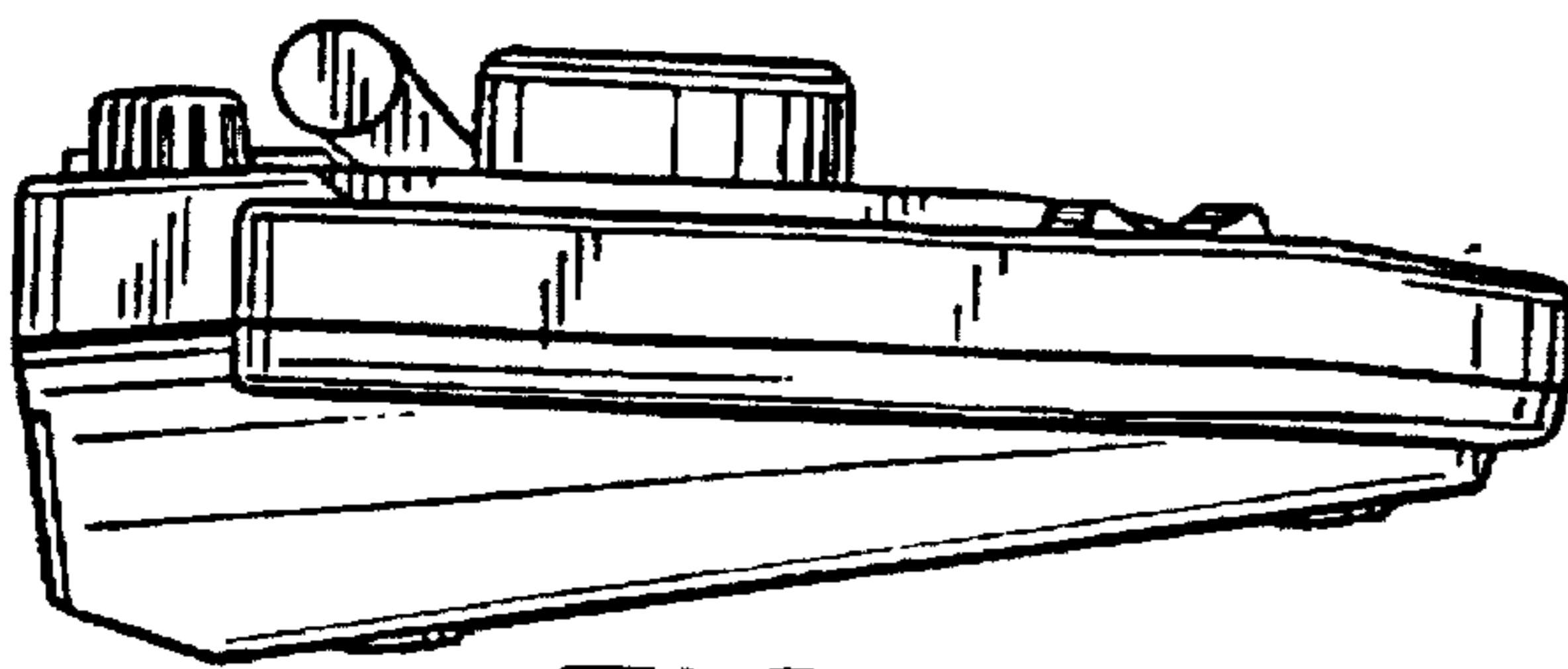


FIG. 4

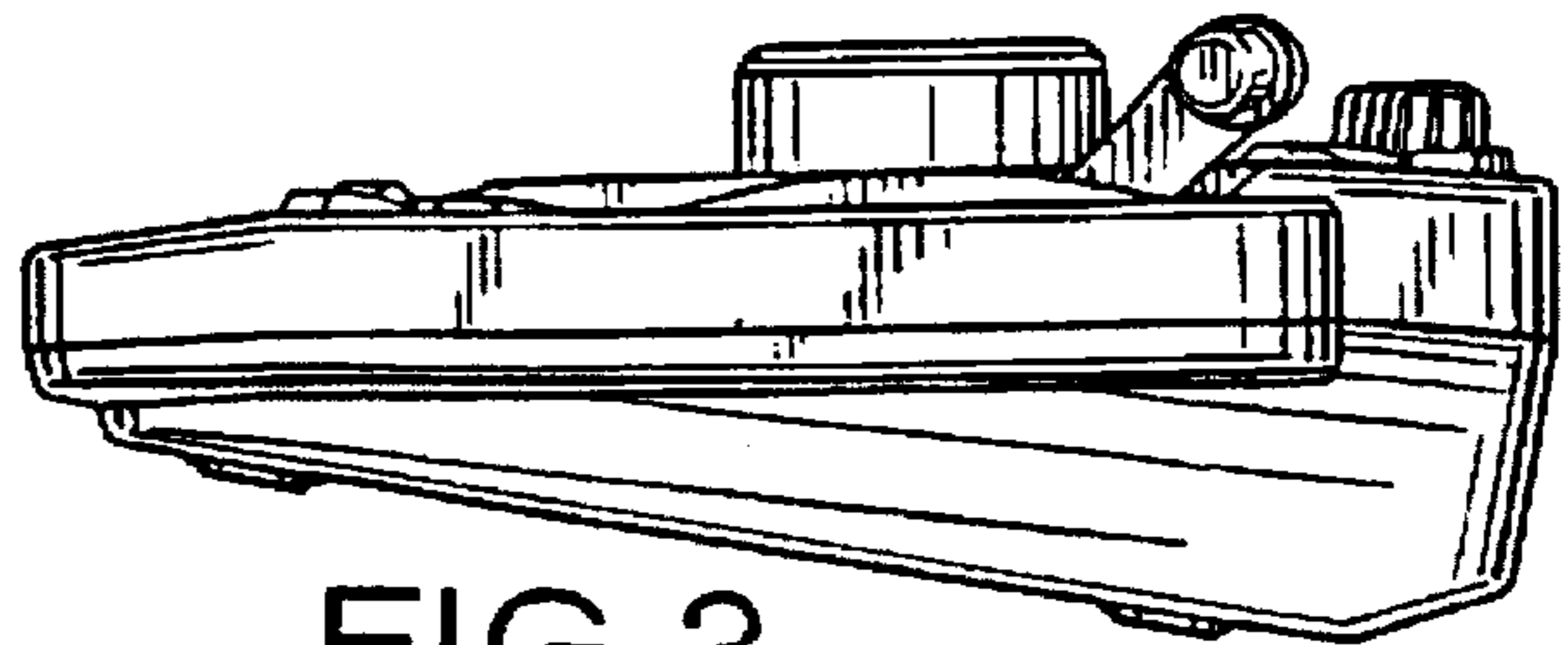


FIG. 3

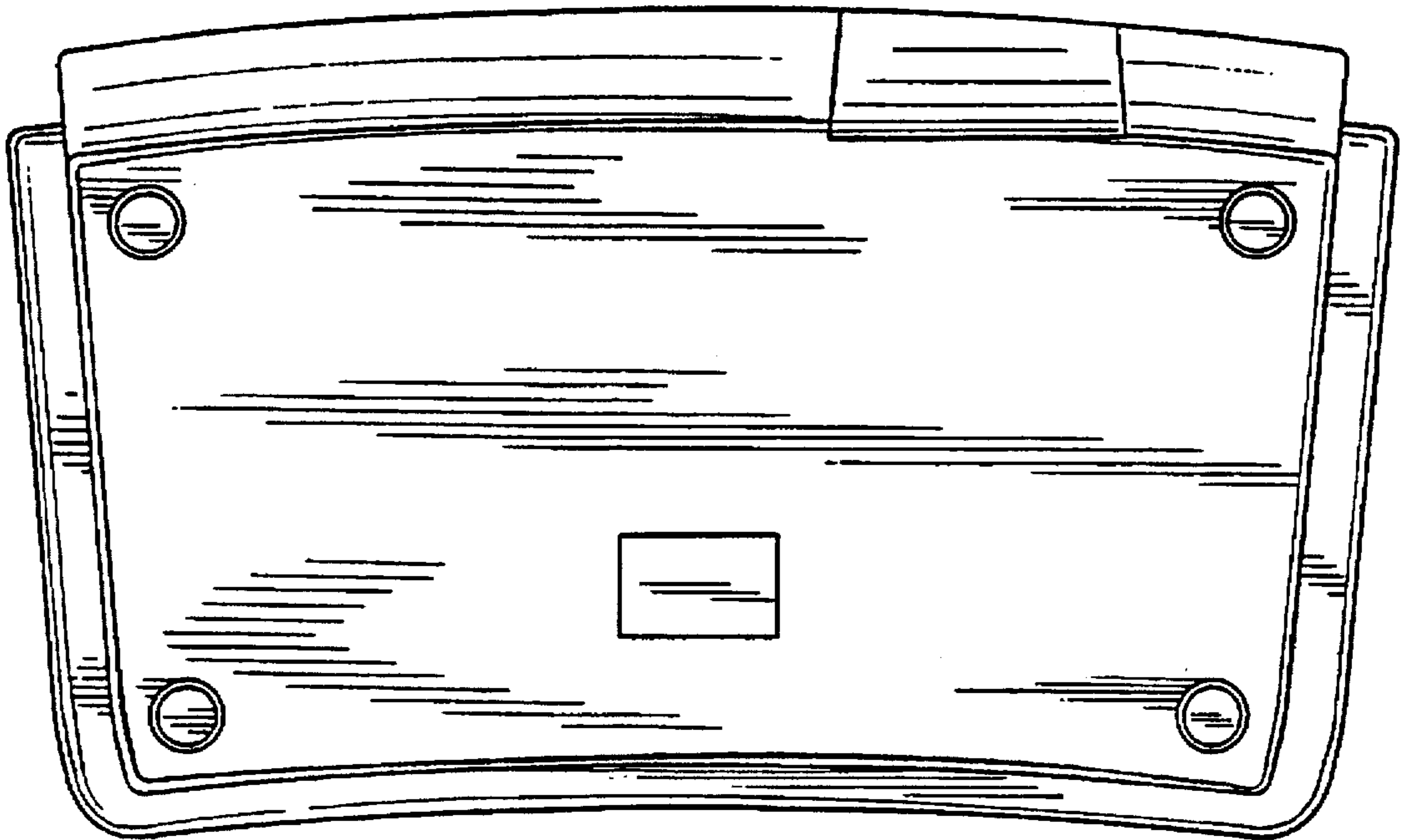


FIG. 5

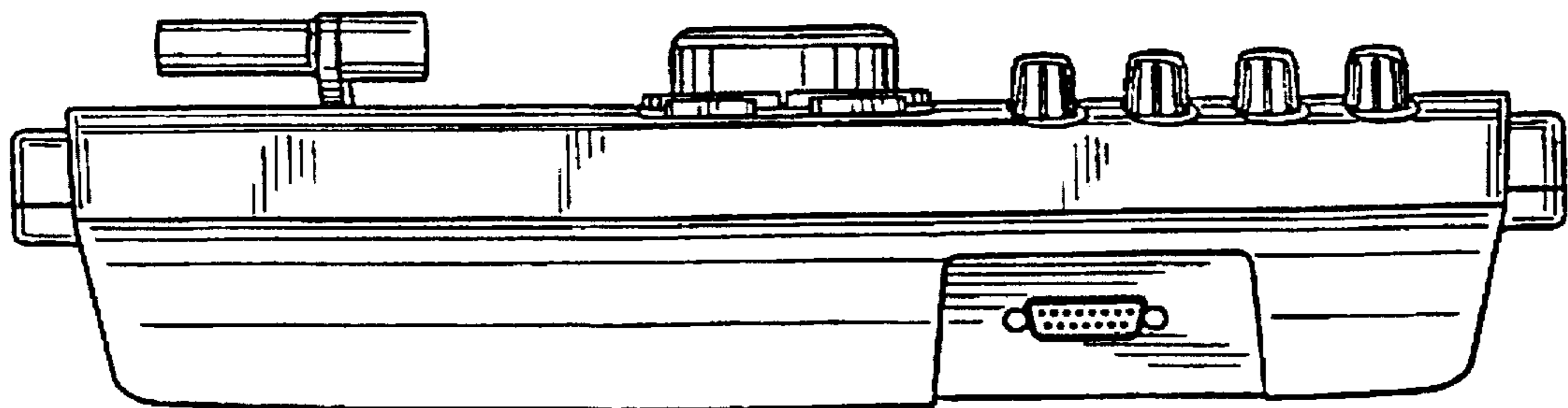


FIG. 6

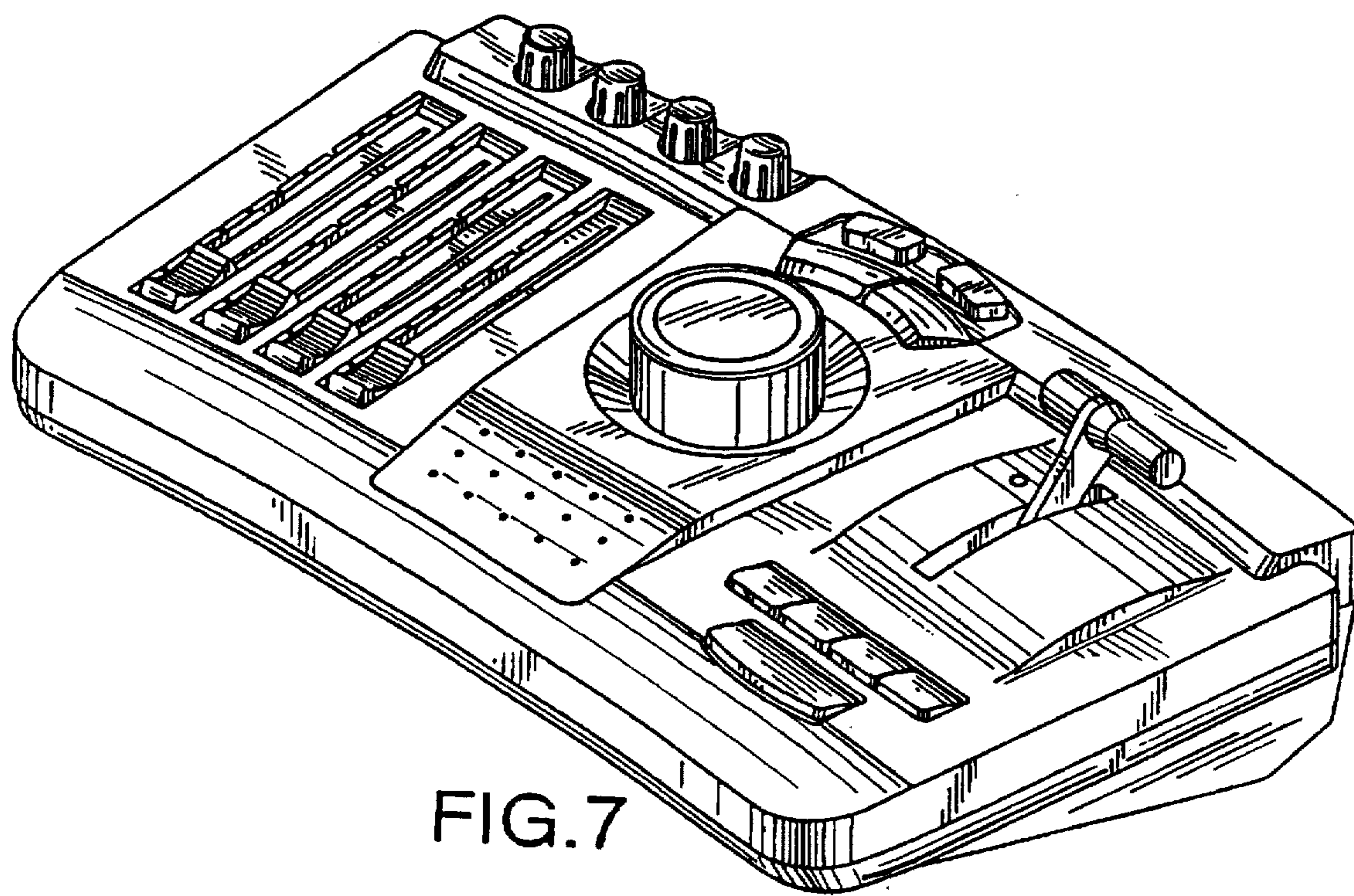


FIG. 7

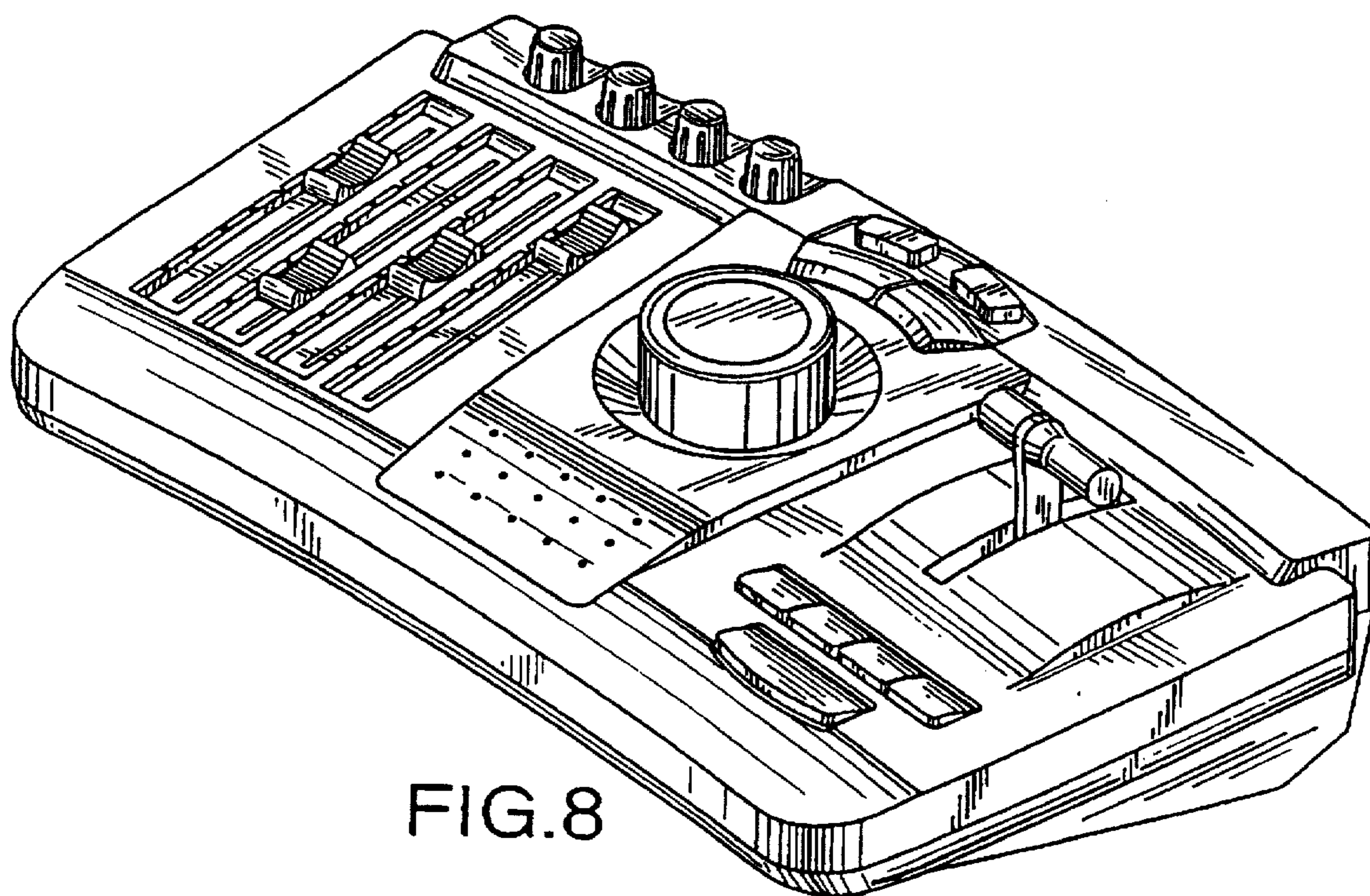


FIG. 8