



US00D385851S

# United States Patent [19] Pennino, Jr.

[11] Patent Number: **Des. 385,851**  
[45] Date of Patent: **\*\*Nov. 4, 1997**

## [54] ELECTRIC PLUG RETAINER

[76] Inventor: **Joseph V. Pennino, Jr.**, 7123 Lago St., Sarasota, Fla. 34241

[\*\*] Term: **14 Years**

[21] Appl. No.: **32,430**

[22] Filed: **Dec. 19, 1994**

[51] LOC (6) Cl. .... **13-03**

[52] U.S. Cl. .... **D13/156**

[58] Field of Search ..... D13/154, 156;  
439/135, 147; 174/67; 220/3.2, 3.8, 3.9,  
241, 242

## [56] References Cited

### U.S. PATENT DOCUMENTS

3,231,847	1/1966	Kressel	174/59	X
3,467,763	9/1969	Shaw	220/242	X
4,076,360	2/1978	Singh	439/147	
4,220,808	9/1980	Fujita	174/48	
4,224,464	9/1980	Bunnell et al.	174/65	R
4,834,666	5/1989	Lee	439/147	X
5,276,280	1/1994	Ball	174/65	R
5,408,046	4/1995	Vandevanter	174/67	

Primary Examiner—Joel Sincavage  
Attorney, Agent, or Firm—Oldham & Oldham Co., L.P.A.

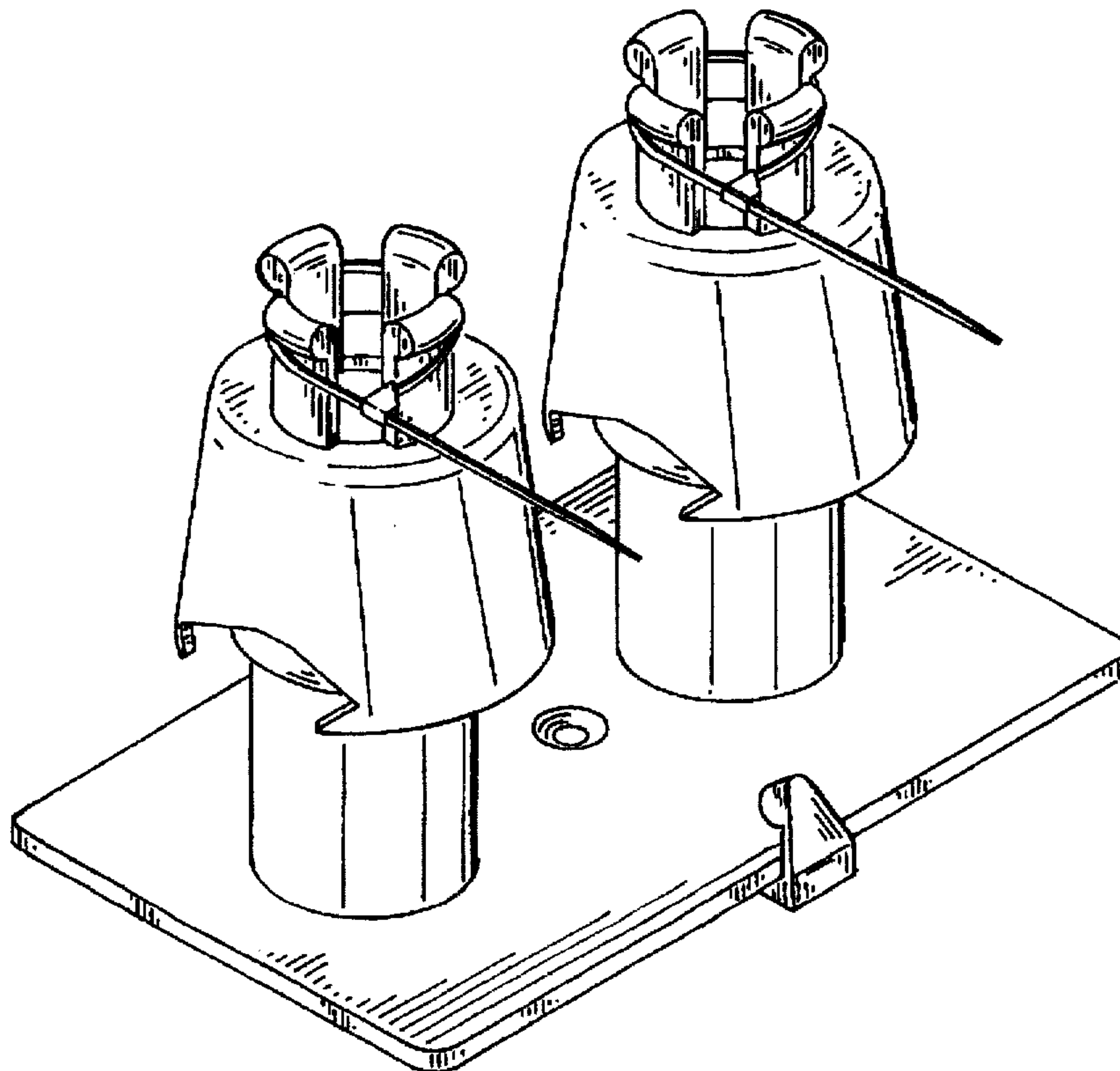
## [57] CLAIM

The ornamental design for a electric plug retainer, as shown and described.

## DESCRIPTION

FIG. 1 is a perspective view of the invention in an installed status;  
 FIG. 2 is an exploded perspective view of the invention in an unassembled status showing the relationship of the parts, one to the other, a receptacle plate, a retainer clip, a plug cover, and a plurality of wire ties;  
 FIG. 3 is a front elevation view of the receptacle plate;  
 FIG. 4 is a rear elevation view of the receptacle plate;  
 FIG. 5 is a top plan view of the receptacle plate;  
 FIG. 6 is a bottom plan view of the receptacle plate;  
 FIG. 7 is a side elevational view of the receptacle plate, the opposite side being a mirror image;  
 FIG. 8 is a front plan view of the retainer clip;  
 FIG. 9 is a rear elevation of the retainer clip;  
 FIG. 10 is a top plan view of the retainer clip, the bottom plan view being a mirror image;  
 FIG. 11 is a side elevational view of the retainer clip, the opposite side being a mirror image;  
 FIG. 12 is a rear elevational view of the plug cover;  
 FIG. 13 is a front elevational view of the plug cover;  
 FIG. 14 is a top plan view of the plug cover;  
 FIG. 15 is a left hand end elevation view of the plug cover; and,  
 FIG. 16 is a right hand elevation view of the plug cover.  
 In FIGS. 3-16, the complete assembly of parts has been omitted for convenience of illustration.

1 Claim, 3 Drawing Sheets



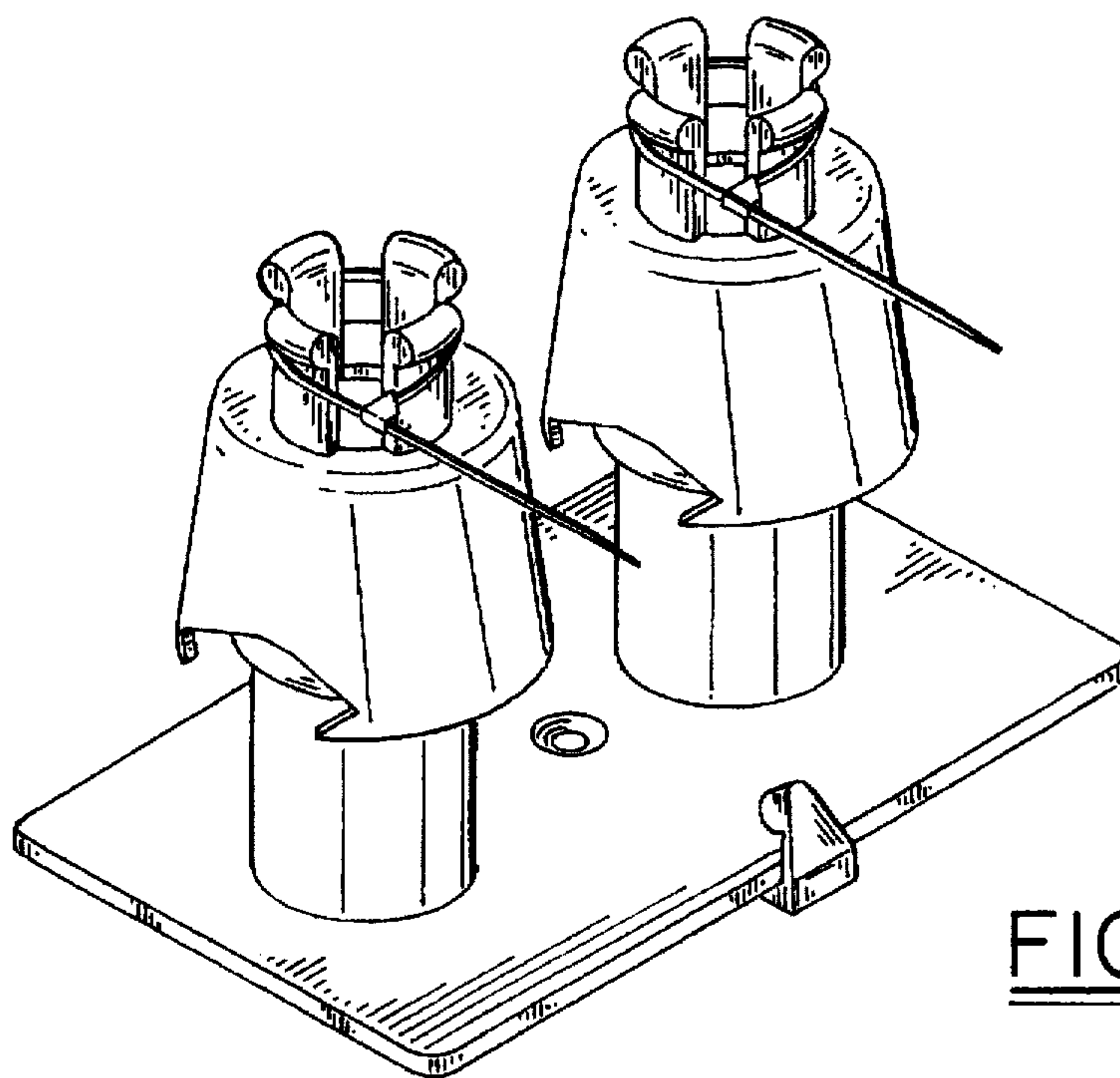


FIG. -1

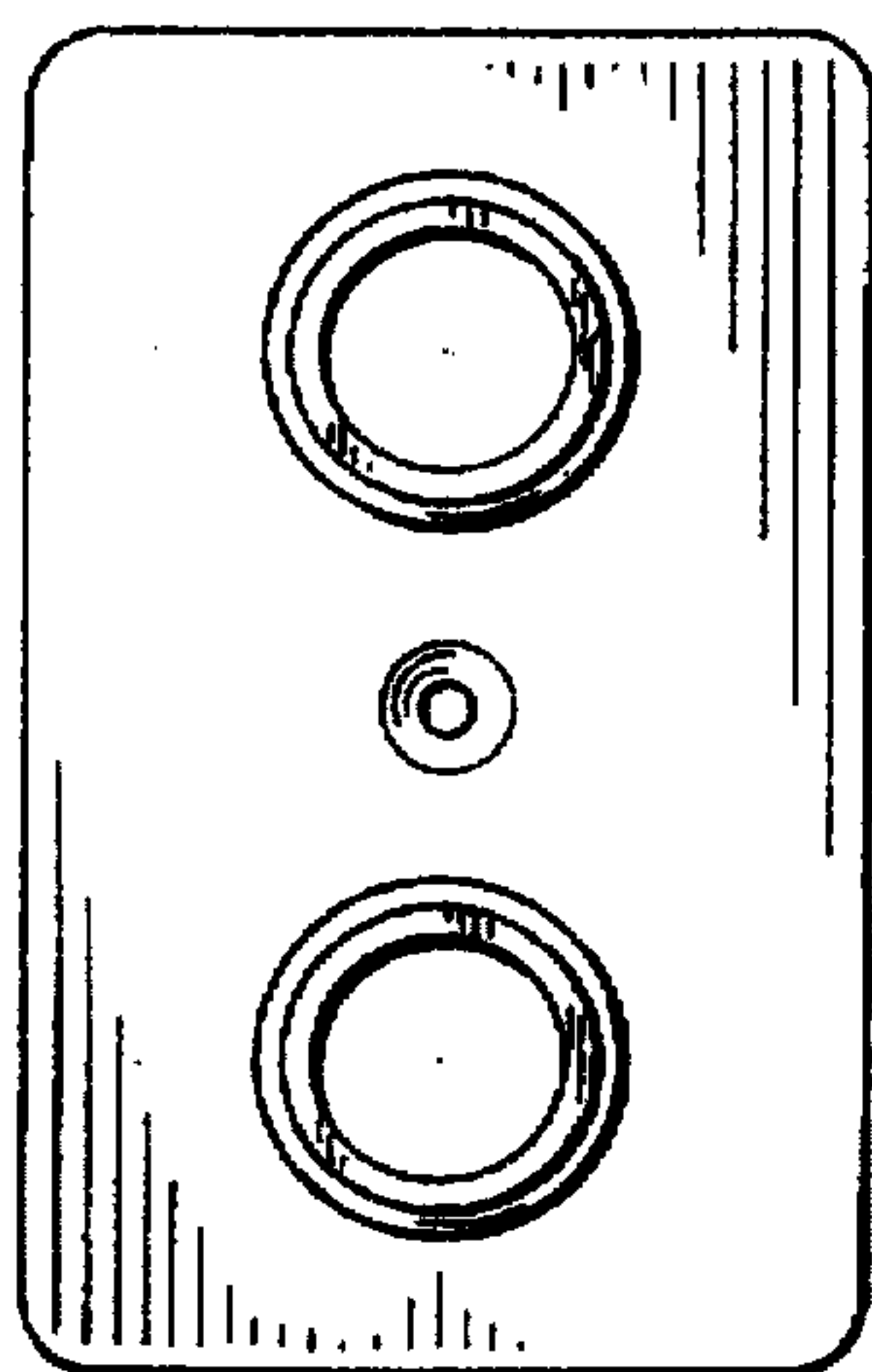


FIG. -3

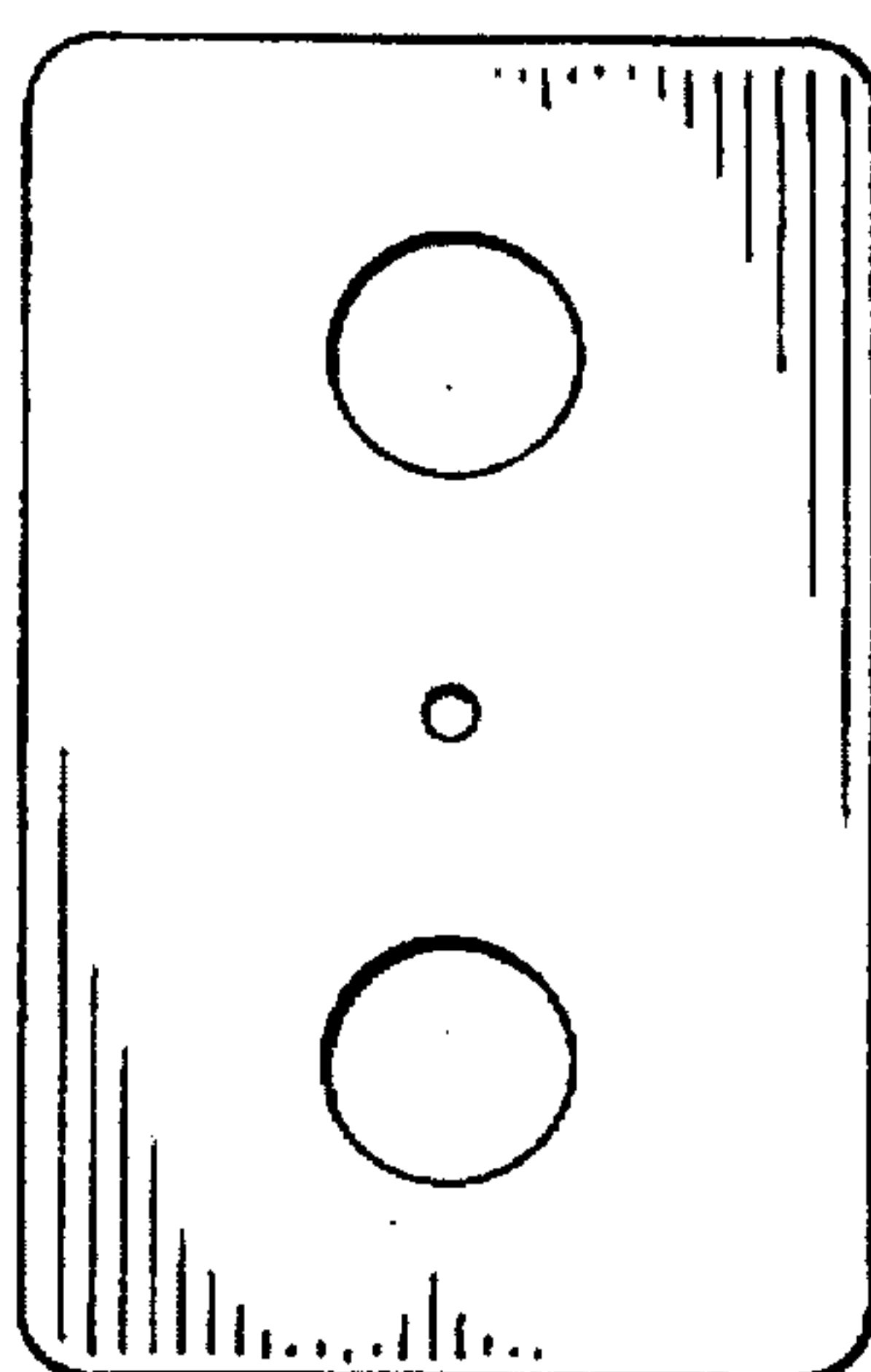


FIG. -4

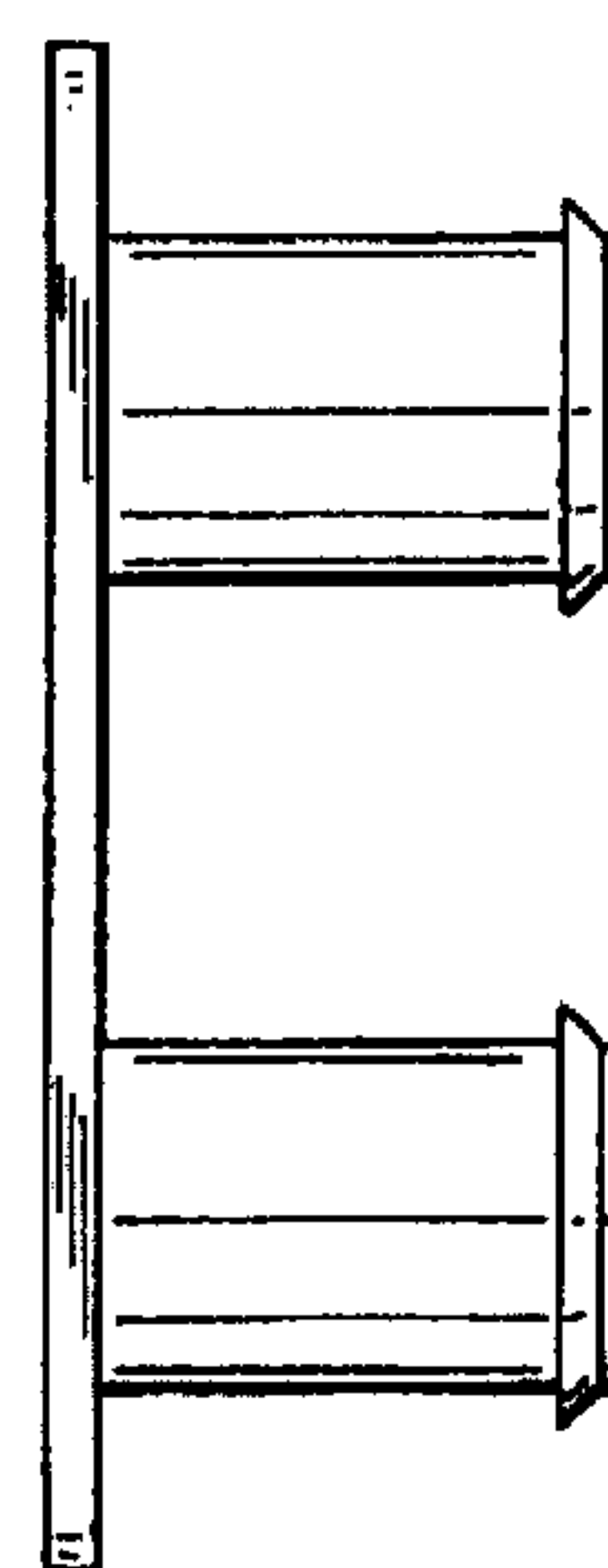


FIG. -7

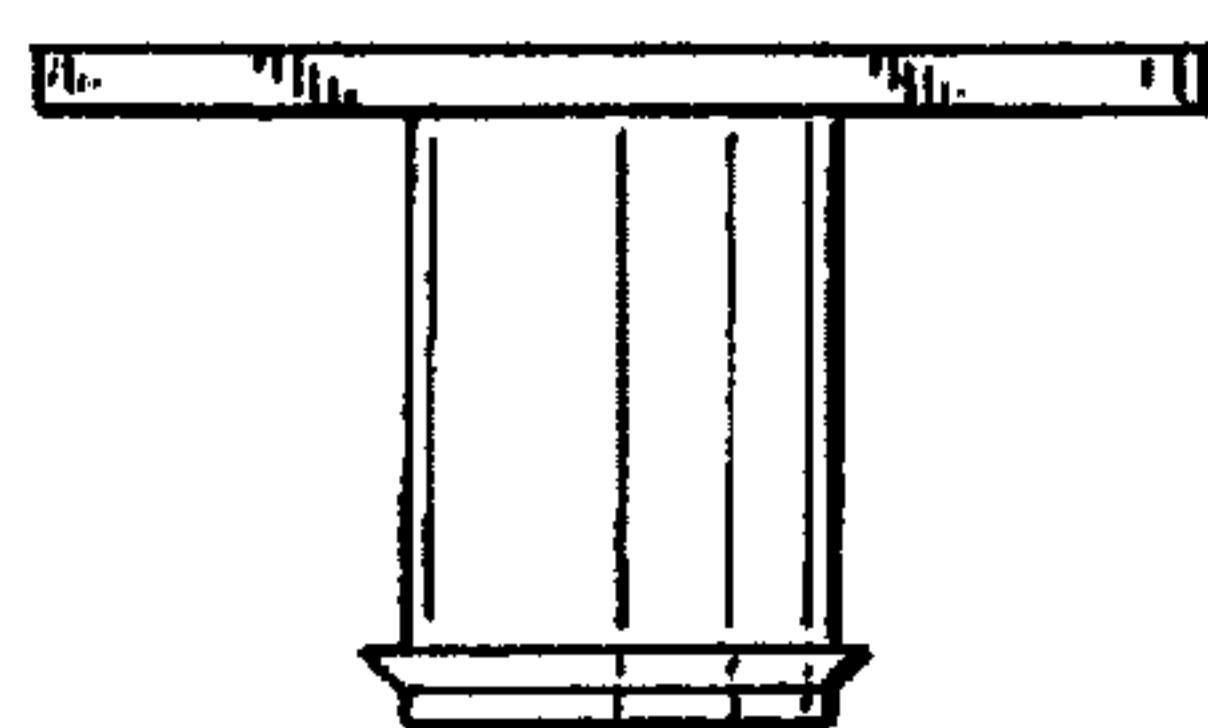


FIG. -5

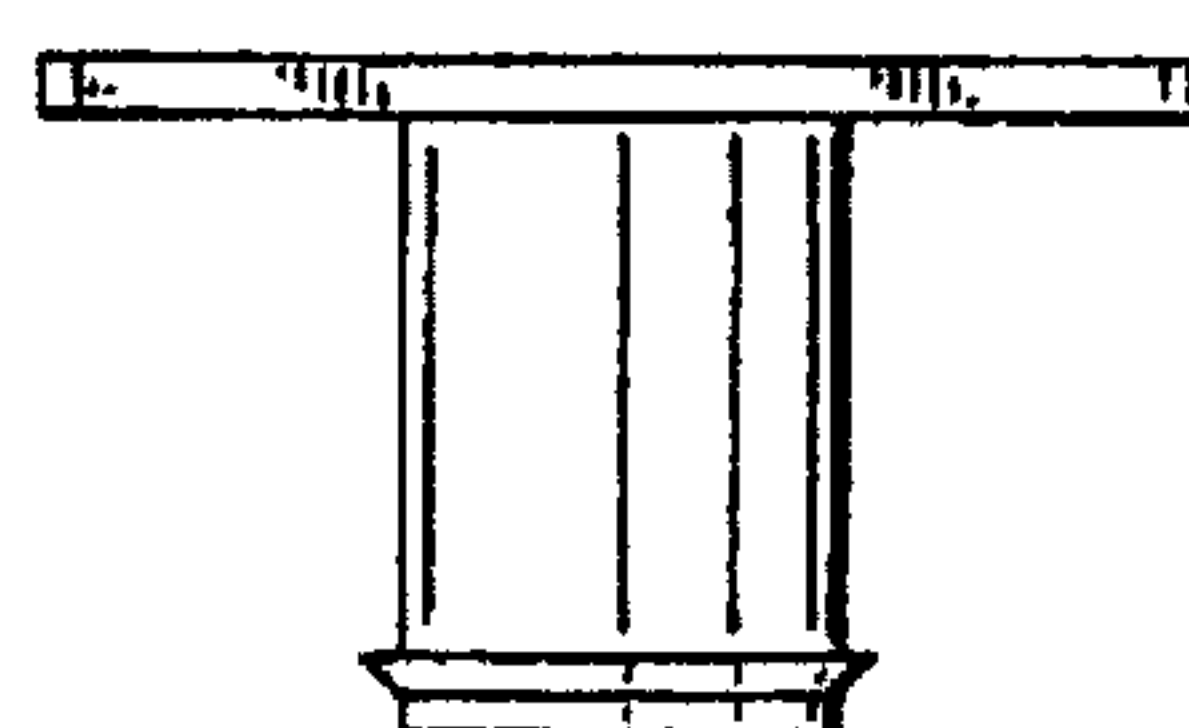


FIG. -6

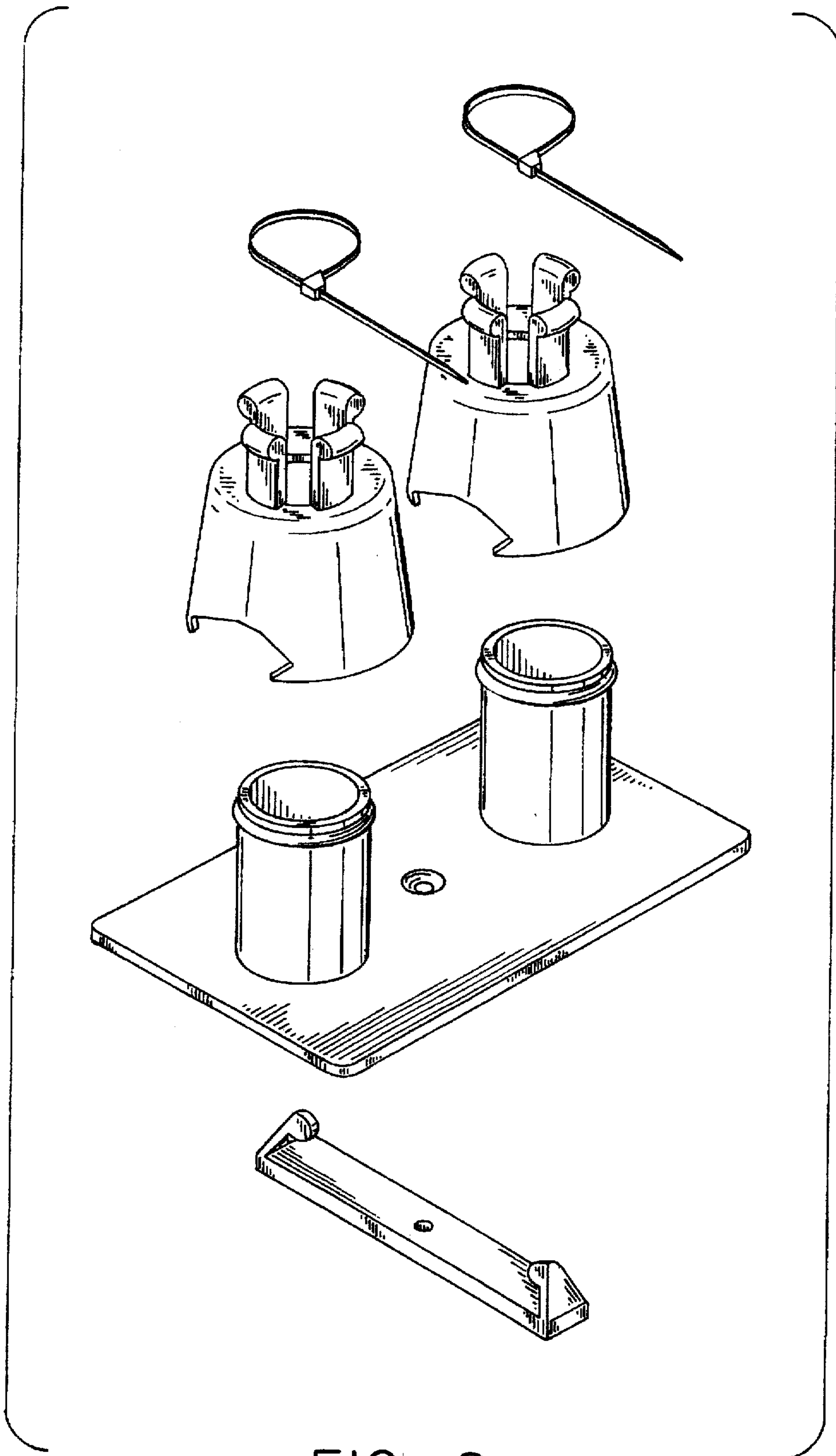


FIG. -2



FIG. - 8



FIG. - 9

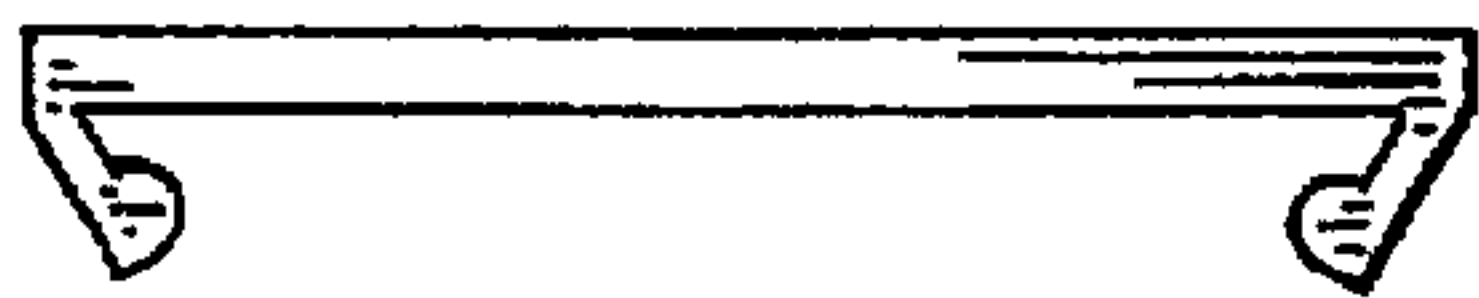


FIG. - 10

FIG. - 11

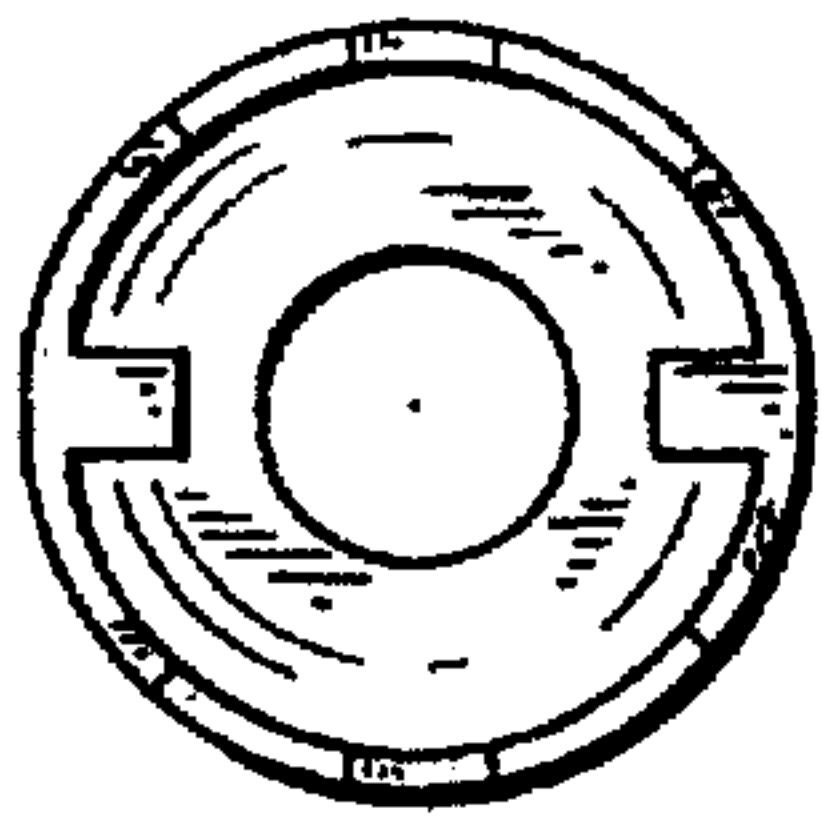


FIG. - 12

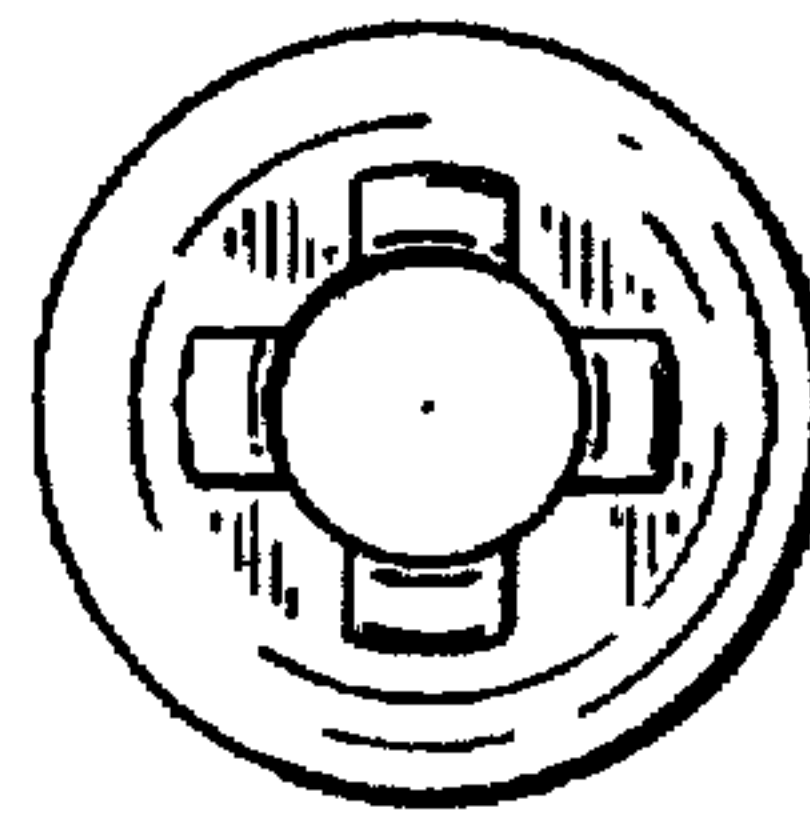


FIG. - 13

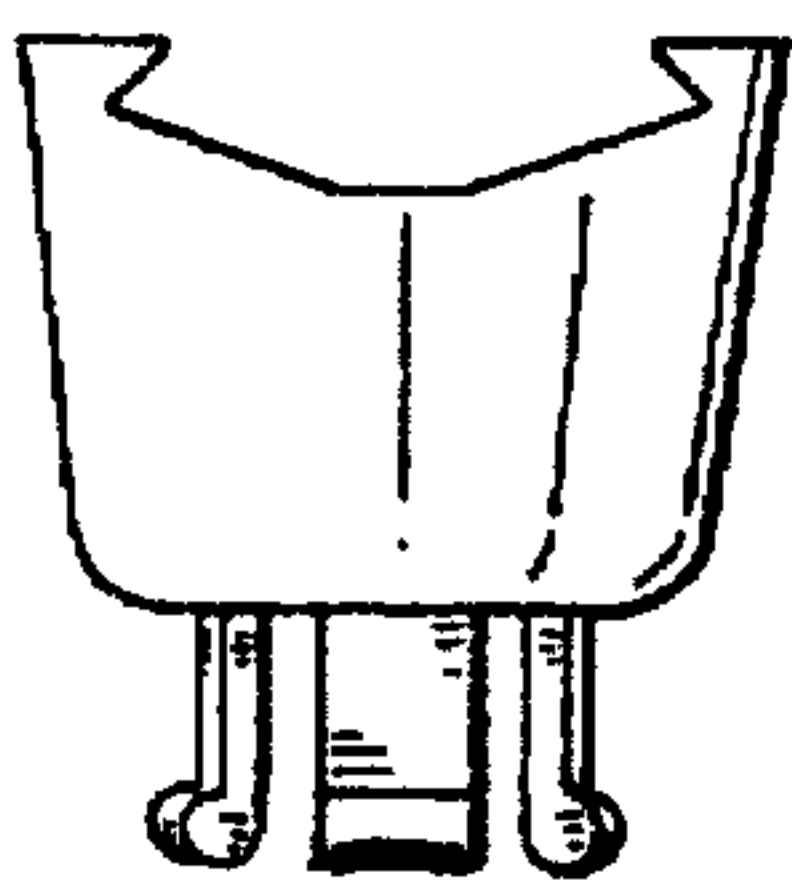


FIG. - 14

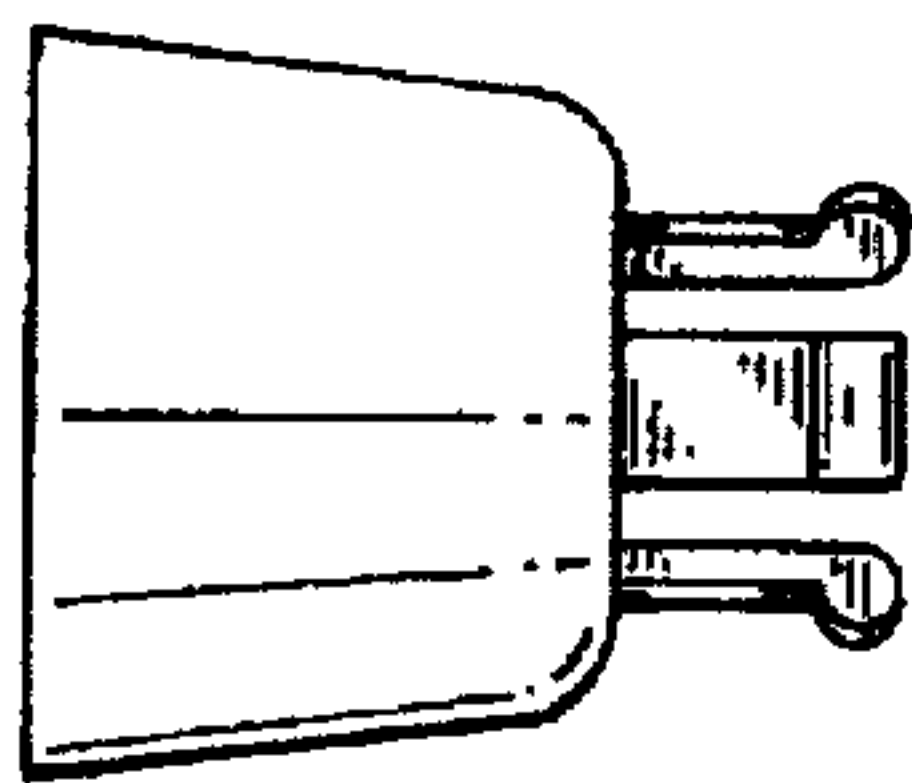


FIG. - 15

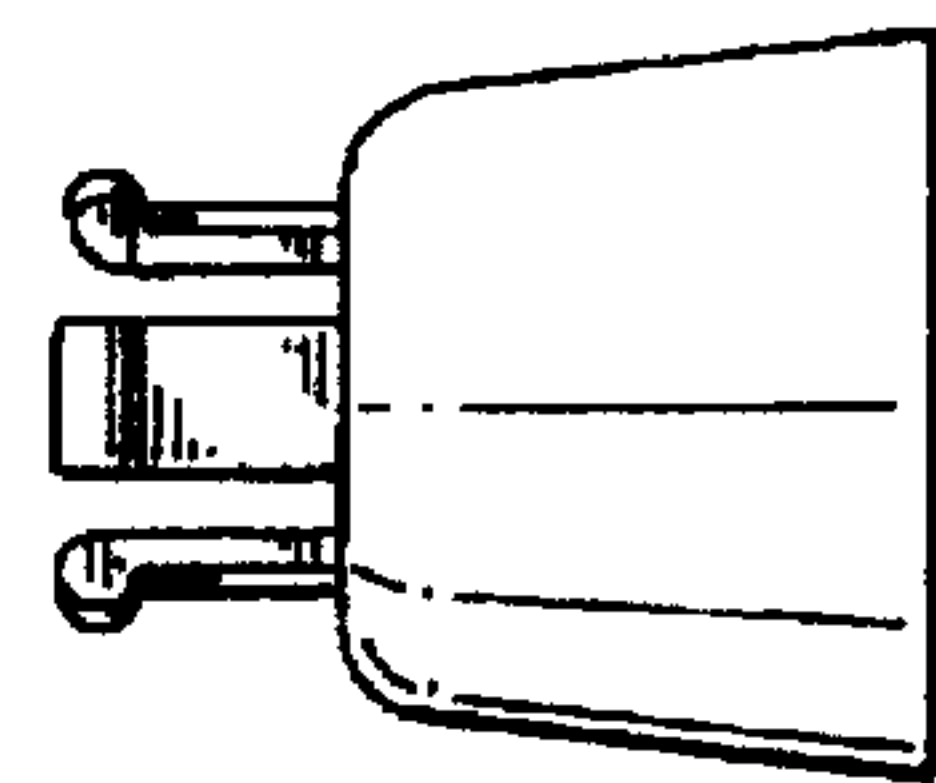


FIG. - 16