

US00D385849S

United States Patent [19]

[11] Patent Number: **Des. 385,849**

Mathews et al.

[45] Date of Patent: ****Nov. 4, 1997**

[54] **COMPACT SINGLE MODE BARE FIBER CONNECTOR**

[75] Inventors: **Alexander R. Mathews**, Austin;
Richard A. Patterson, Georgetown,
both of Tex.

[73] Assignee: **Minnesota Mining and Manufacturing Company**, St. Paul,
Minn.

[**] Term: **14 Years**

[21] Appl. No.: **44,560**

[22] Filed: **Sep. 26, 1995**

[51] LOC (6) Cl. **13-03**

[52] U.S. Cl. **D13/133**

[58] Field of Search **D13/133; 385/53-56,**
385/70-72, 75-78, 64, 65, 83, 91, 92

[56] **References Cited**

U.S. PATENT DOCUMENTS

D. 351,587	10/1994	Puchhammer	D13/133
4,030,811	6/1977	Khoe et al.	385/91
4,247,164	1/1981	Mannschke	385/83
4,422,717	12/1983	Schmidt	385/72
4,445,752	5/1984	Faber et al.	385/22
4,478,485	10/1984	Khoe et al.	385/53
4,657,338	4/1987	Khoe et al.	385/83
4,784,460	11/1988	Khoe	385/71

4,877,302	10/1989	Schürmann et al.	385/56
5,121,456	6/1992	Essert et al.	385/70
5,129,023	7/1992	Anderson et al.	385/70
5,159,652	10/1992	Grassin D'Alphonse et al.	385/56
5,179,608	1/1993	Ziebol et al.	385/72 X
5,189,717	2/1993	Larson et al.	385/95
5,381,498	1/1995	Bylander	385/83
5,506,922	4/1996	Grois et al.	385/75

Primary Examiner—Joel Sincavage
Assistant Examiner—Lavone D. Tabor
Attorney, Agent, or Firm—Gary L. Griswold; Walter N. Kirn; Gerald F. Chernivec

[57] **CLAIM**

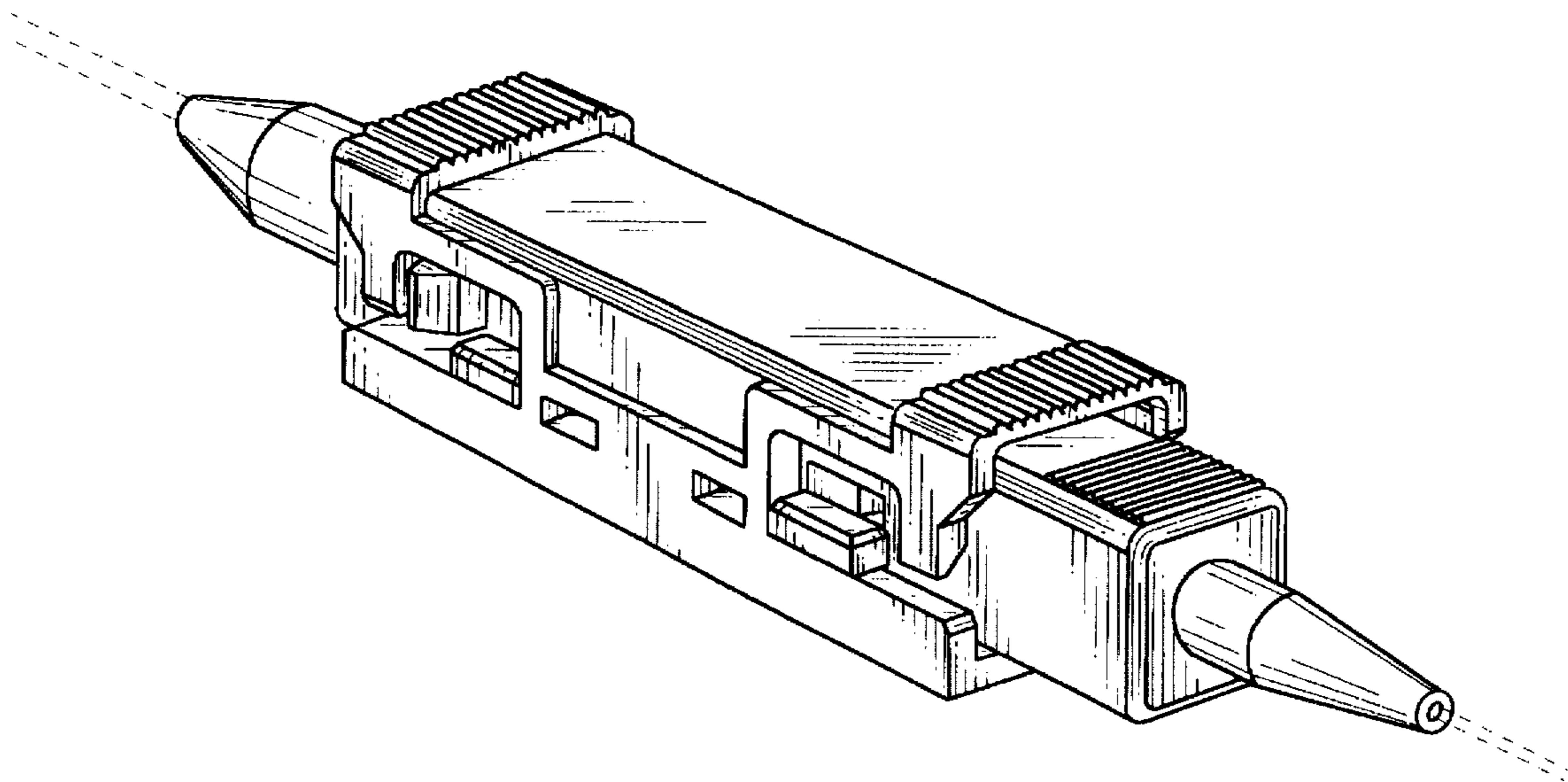
The ornamental design for a compact single mode bare fiber connector, as shown and described.

DESCRIPTION

FIG. 1 is a perspective view of a compact single mode bare fiber connector showing our new design;
FIG. 2 is a top plan view thereof;
FIG. 3 is a front elevational view thereof;
FIG. 4 is a rear elevational view thereof;
FIG. 5 is a bottom plan view thereof;
FIG. 6 is a left side elevational view thereof; and,
FIG. 7 is a right side elevational view thereof.

The broken lines showing optical fibers installed in the connector are for illustrative purposes only and form no part of the claimed design.

1 Claim, 3 Drawing Sheets



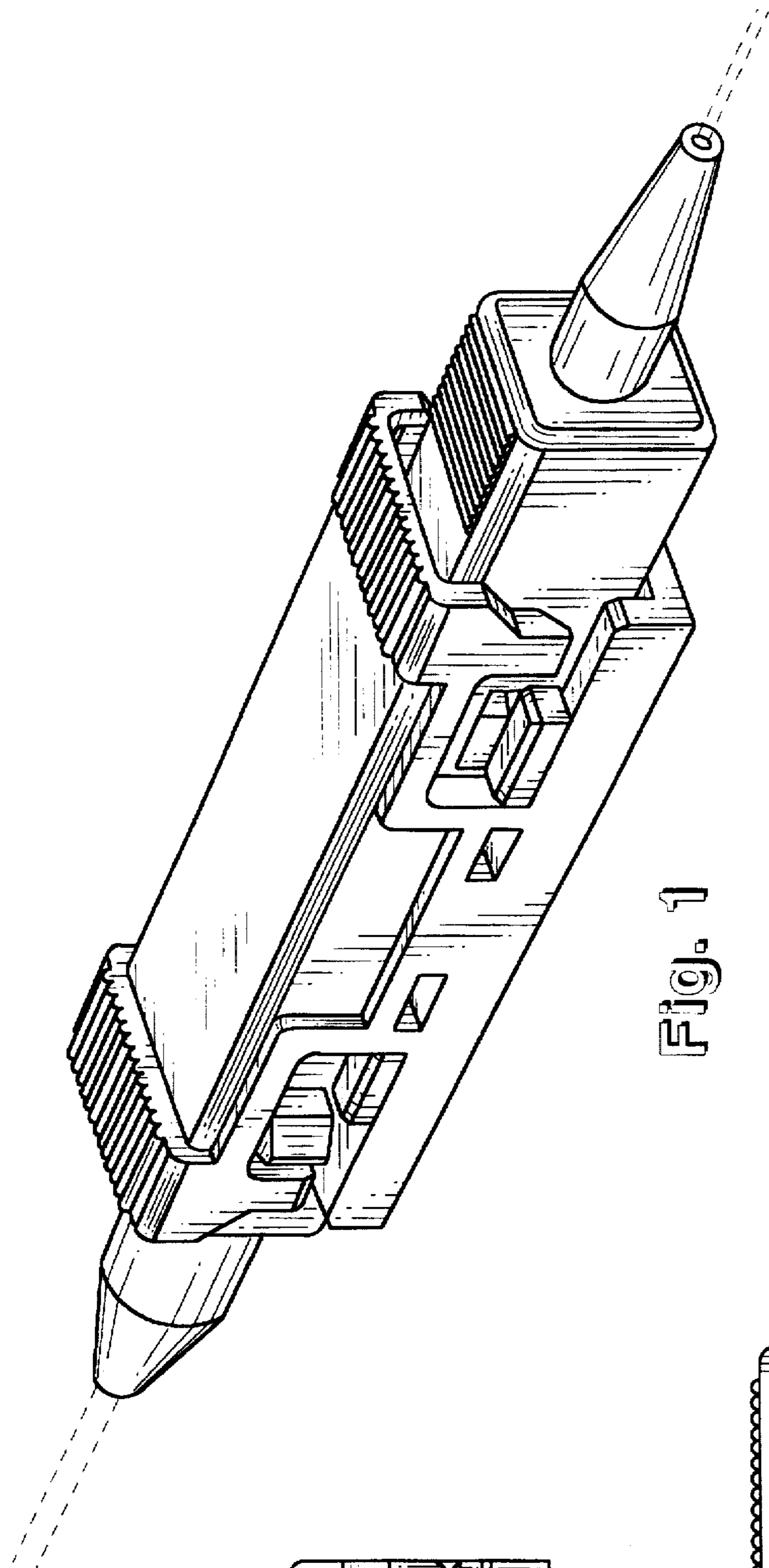


Fig. 1

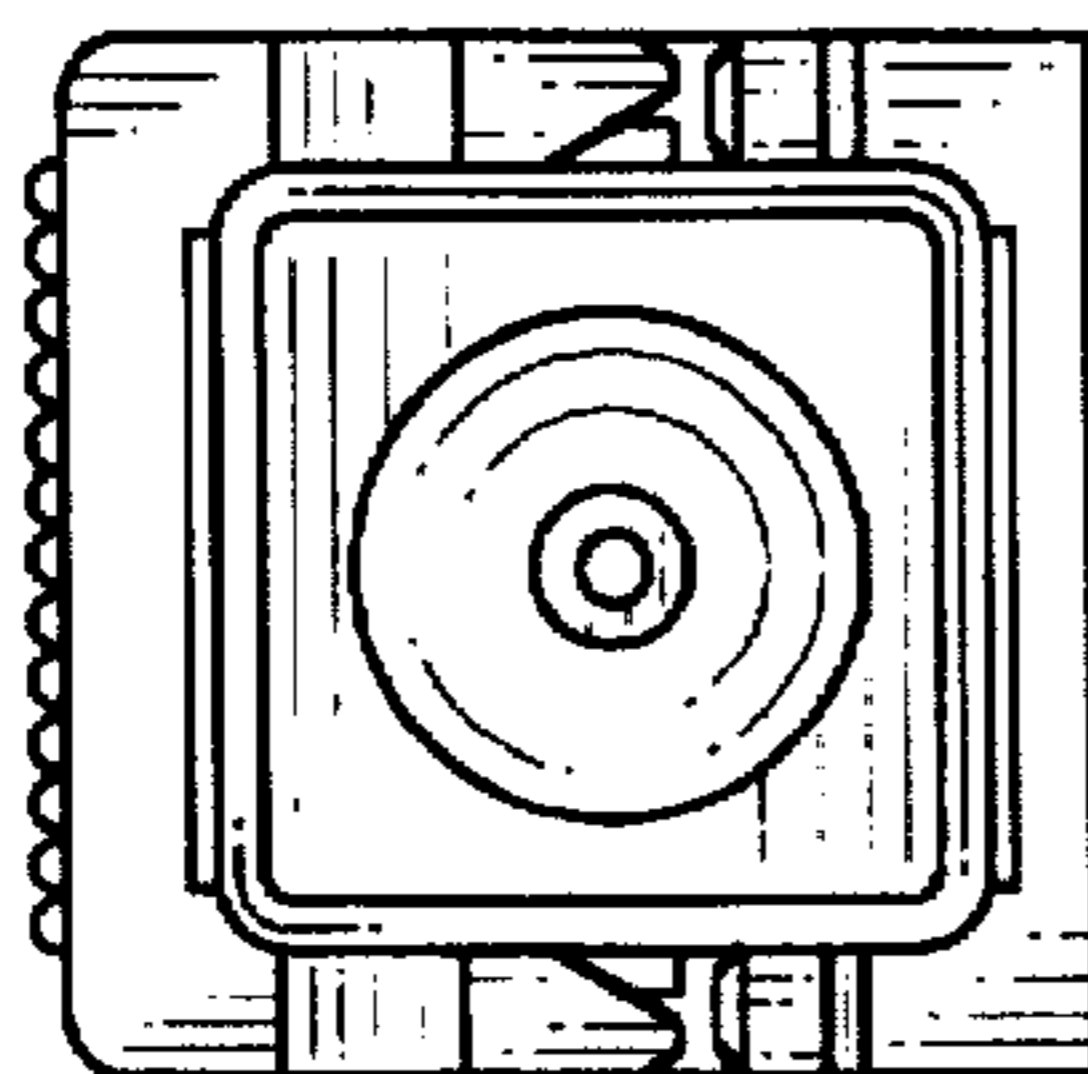


Fig. 6

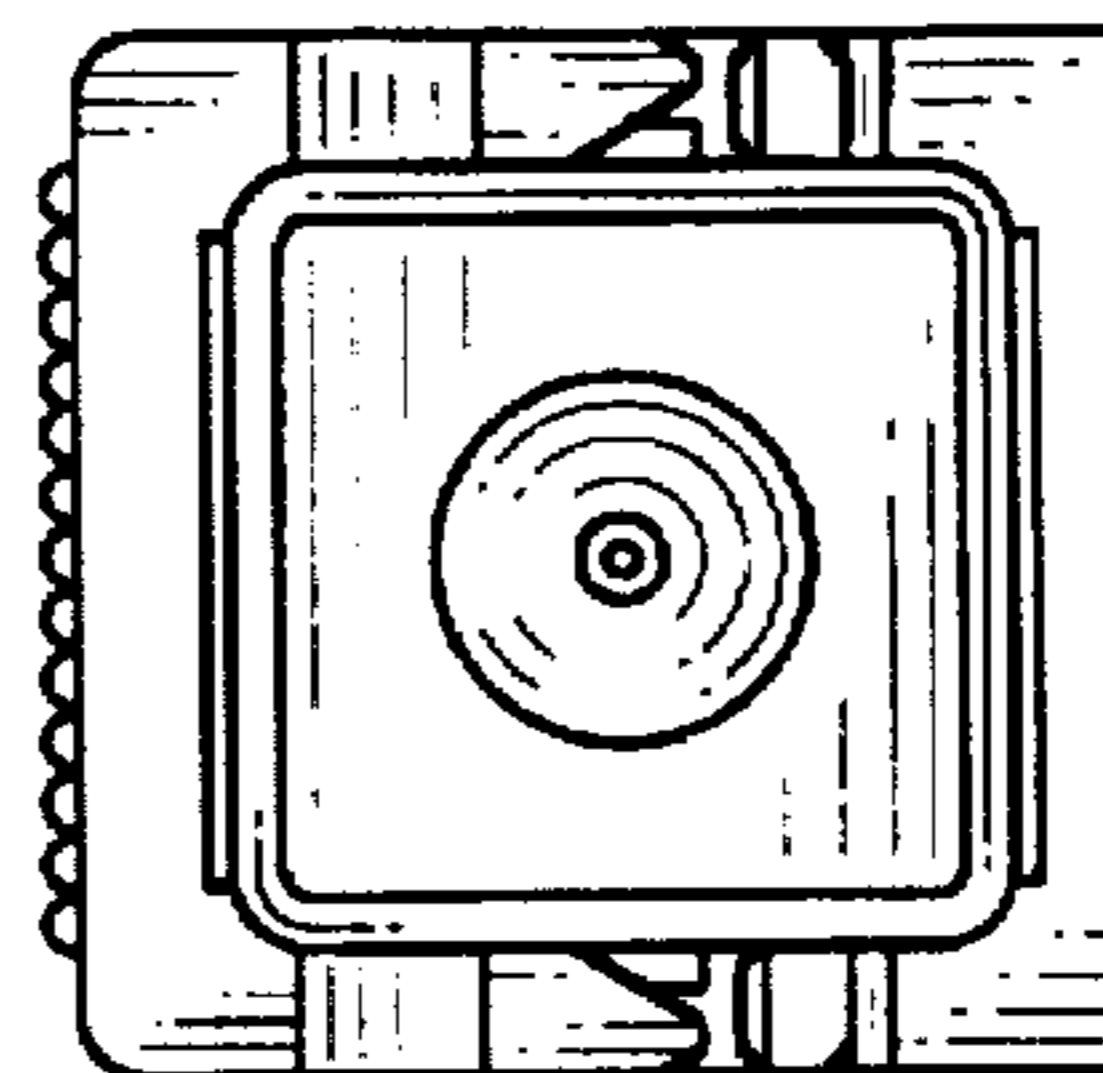


Fig. 7

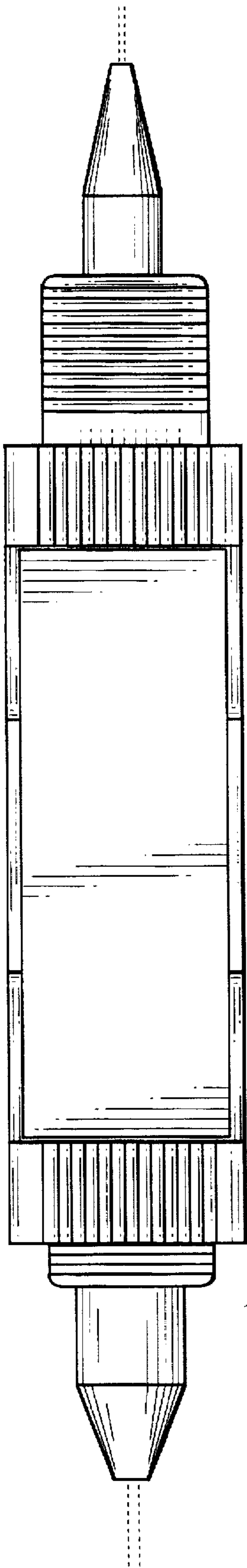


Fig. 2

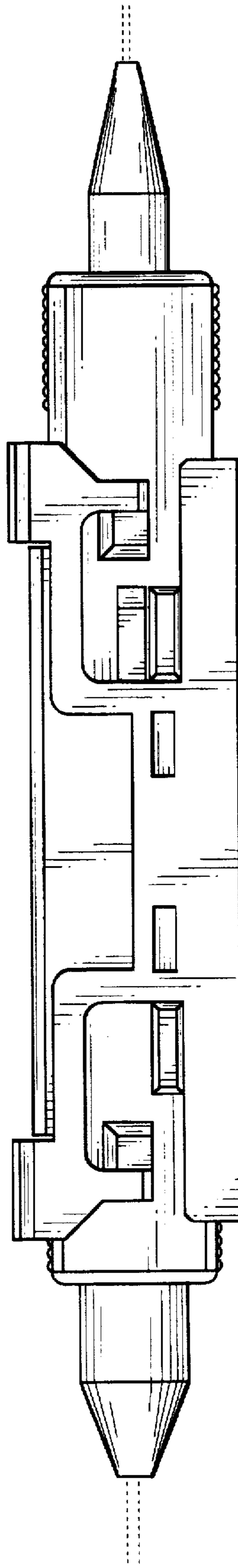


Fig. 3

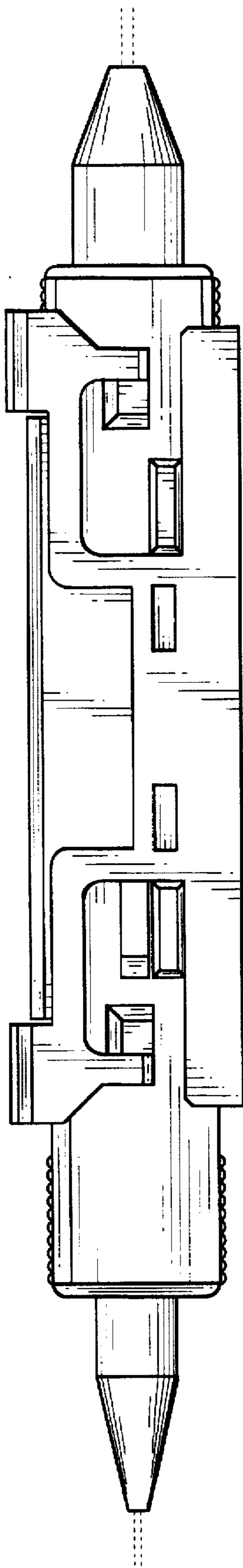


Fig. 4

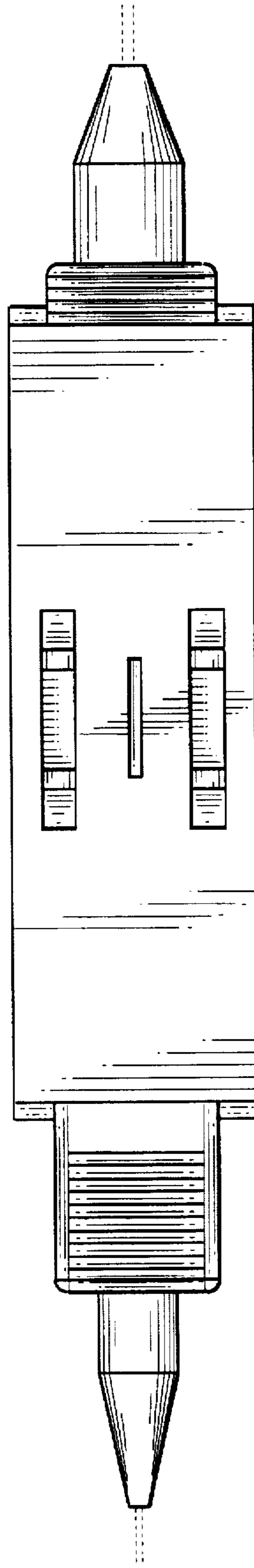


Fig. 5