



US00D385848S

# United States Patent [19]

[11] Patent Number: **Des. 385,848**

Sato et al.

[45] Date of Patent: **\*\*\*Nov. 4, 1997**

[54] **BOBBIN AND MAGNETIC CORE ASSEMBLY**

D. 334,913 4/1993 Sato et al. .... D13/118

[75] Inventors: **Hironori Sato; Tadashi Mitsui**, both of Tokyo, Japan

4,931,761 6/1990 Kijima ..... 336/160

4,939,494 7/1990 Masuda et al. .... 336/192 X

5,165,056 11/1992 Chien-Heng ..... 336/192 X

[73] Assignee: **TDK Corporation**, Tokyo, Japan

### FOREIGN PATENT DOCUMENTS

[\*] Notice: The portion of the term of this patent subsequent to Apr. 20, 2007, has been disclaimed.

2654548 5/1991 France ..... 336/198

250611 10/1987 Japan ..... 336/192

256212 10/1990 Japan ..... 336/192

[\*\*] Term: **14 Years**

*Primary Examiner*—Joel Sincavage

*Attorney, Agent, or Firm*—Oblon, Spivak, McClelland, Maier & Neustadt, P.C.

[21] Appl. No.: **38,082**

### [57] CLAIM

[22] Filed: **Apr. 28, 1995**

The ornamental design for bobbin and magnetic core assembly, as shown and described.

### Related U.S. Application Data

### DESCRIPTION

[63] Continuation of Ser. No. 607,098, Oct. 31, 1990, abandoned.

[51] LOC (6) Cl. .... **12-11**

[52] U.S. Cl. .... **D13/118**

[58] Field of Search ..... D13/118; 336/192, 336/198, 208

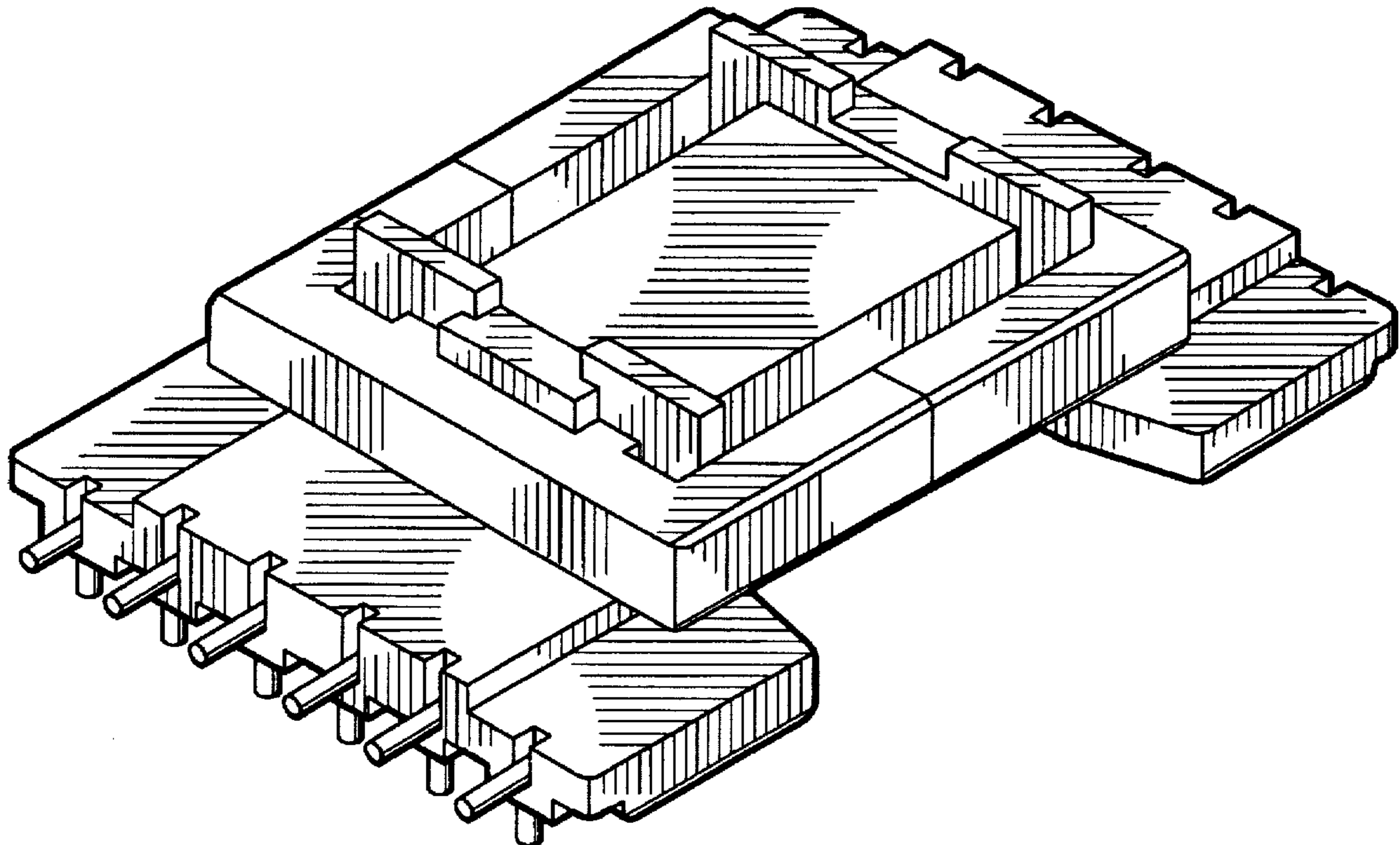
FIG. 1 is a top, front and left side perspective view of bobbin and magnetic core assembly, showing our new design; FIG. 2 is a front elevational view thereof, the rear elevation view being a mirror image of the front view shown; FIG. 3 is a left side elevational view thereof, the right side view being a mirror image of the side shown; FIG. 4 is a top plan view thereof; and, FIG. 5 is a bottom plan view thereof.

### [56] References Cited

#### U.S. PATENT DOCUMENTS

D. 330,541 10/1992 Burrow et al. .... D13/118 X

**1 Claim, 2 Drawing Sheets**



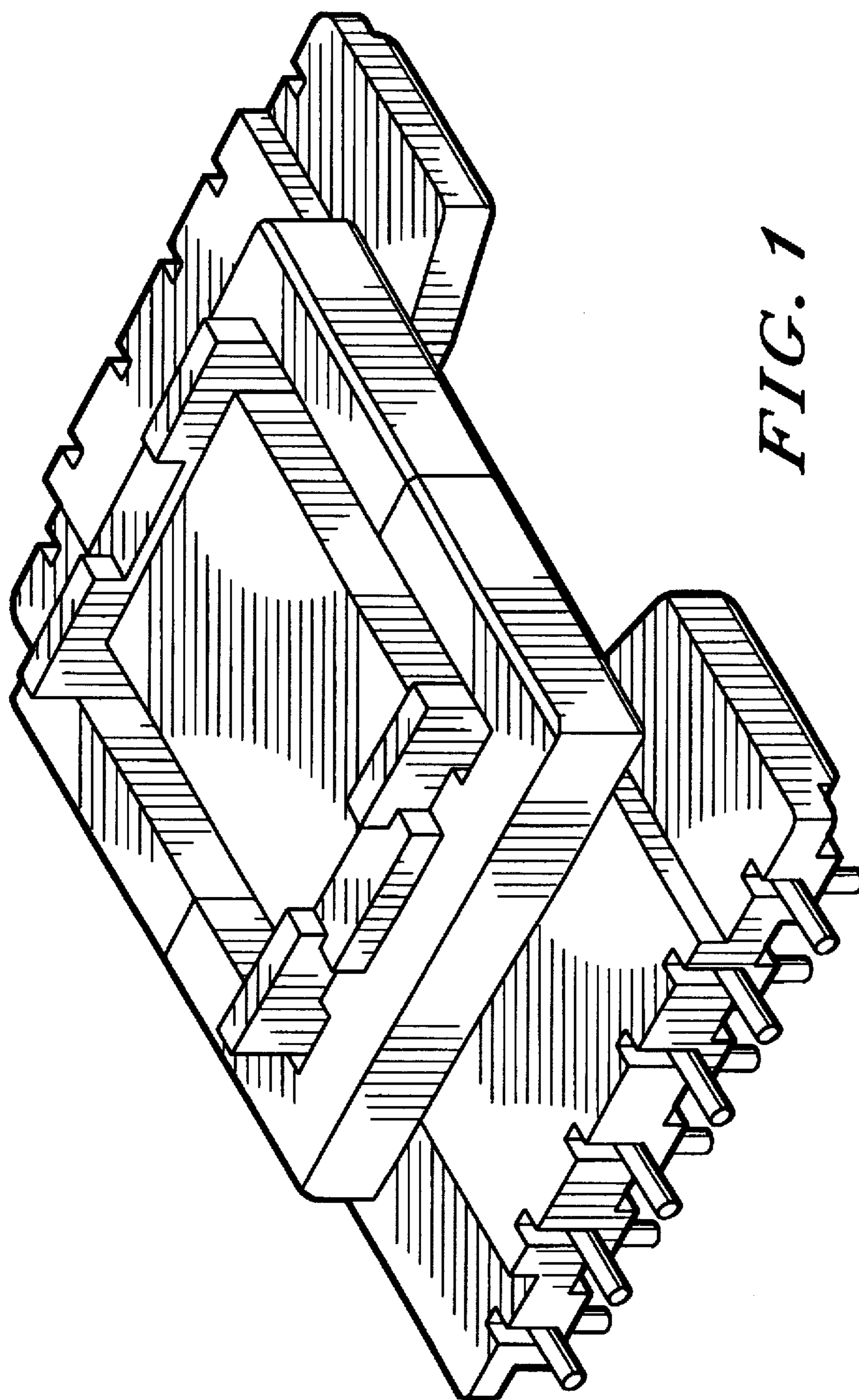


FIG. 1

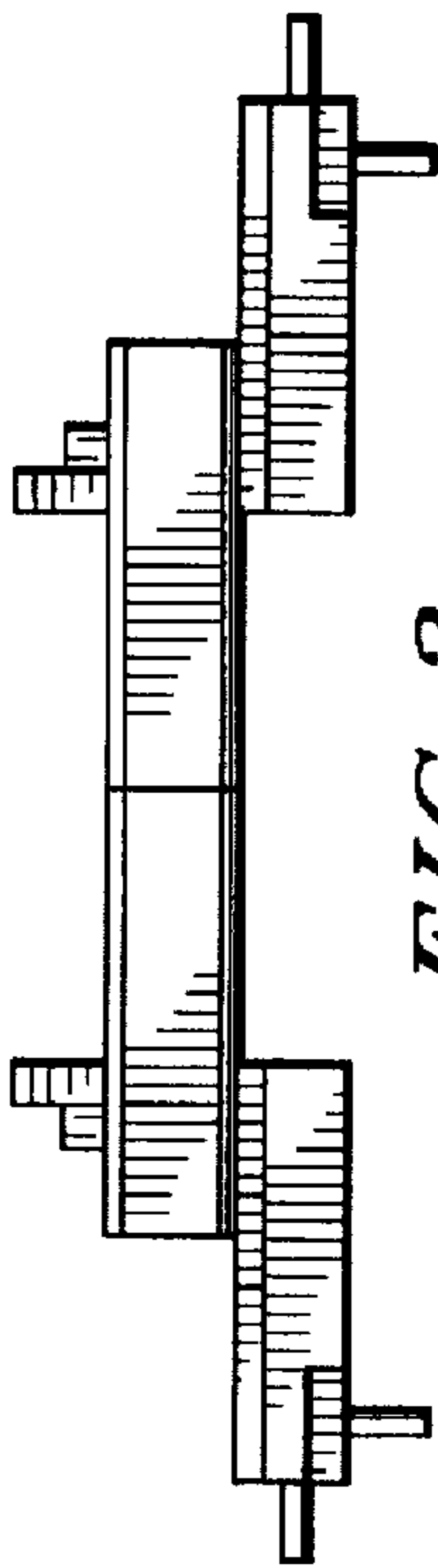


FIG. 2

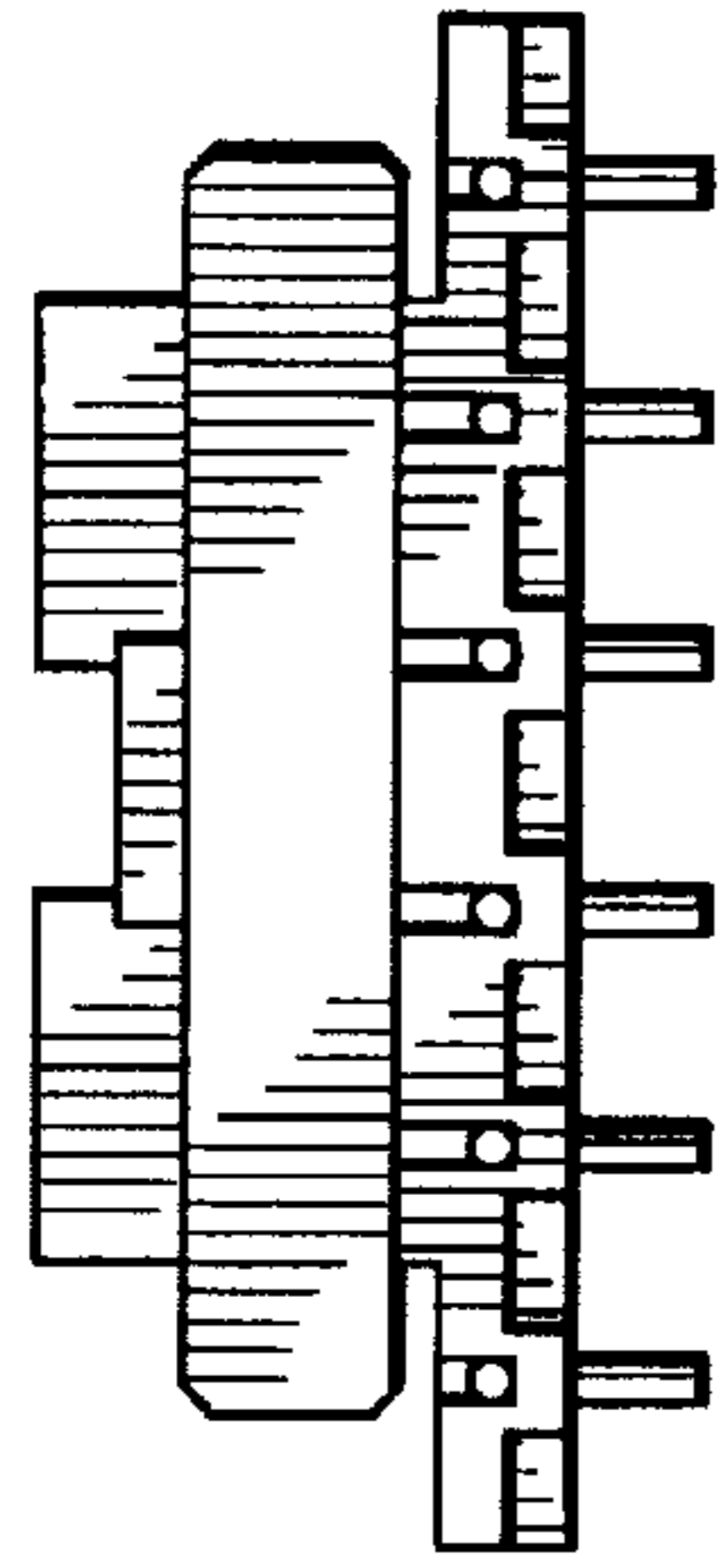


FIG. 3

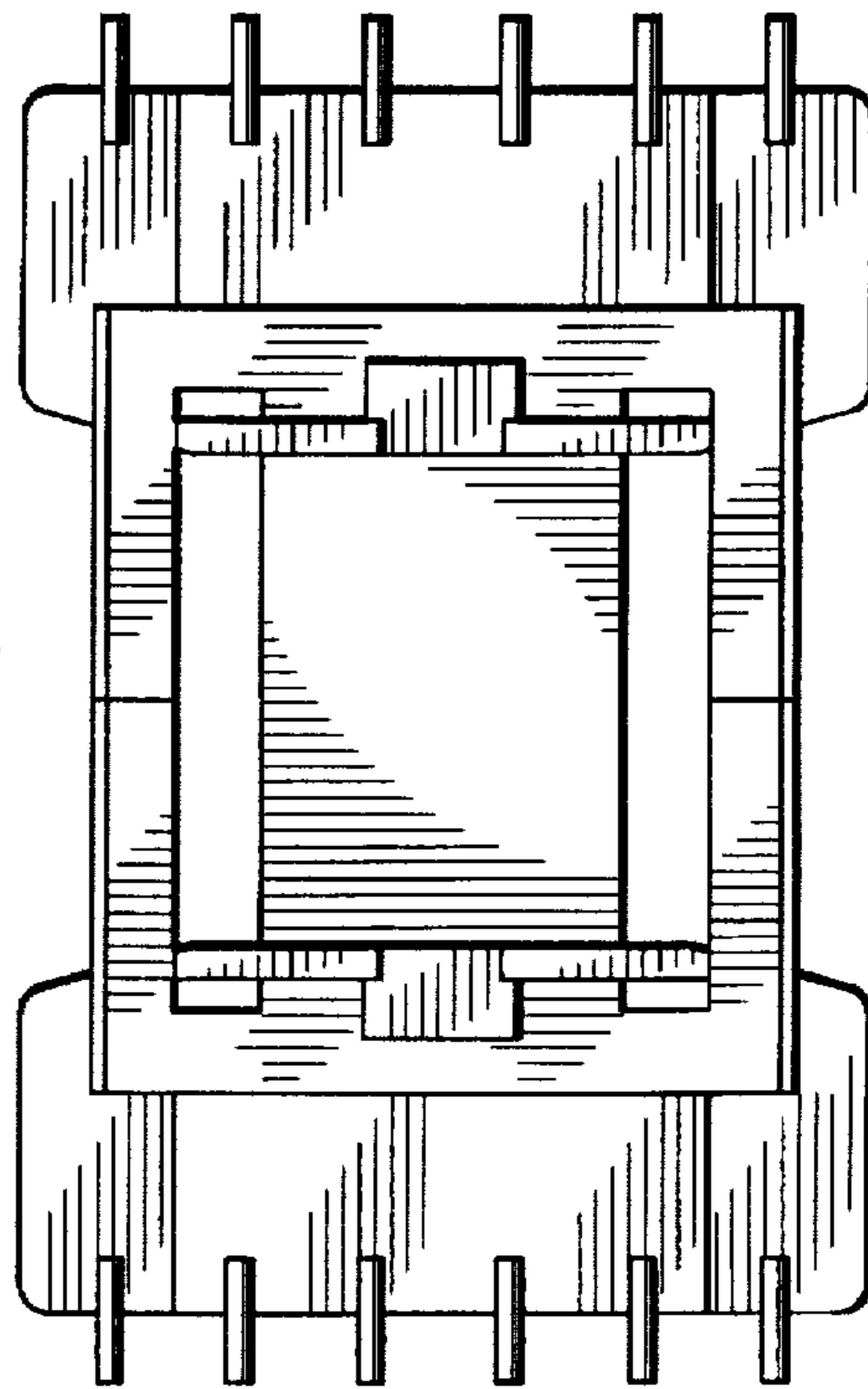


FIG. 4

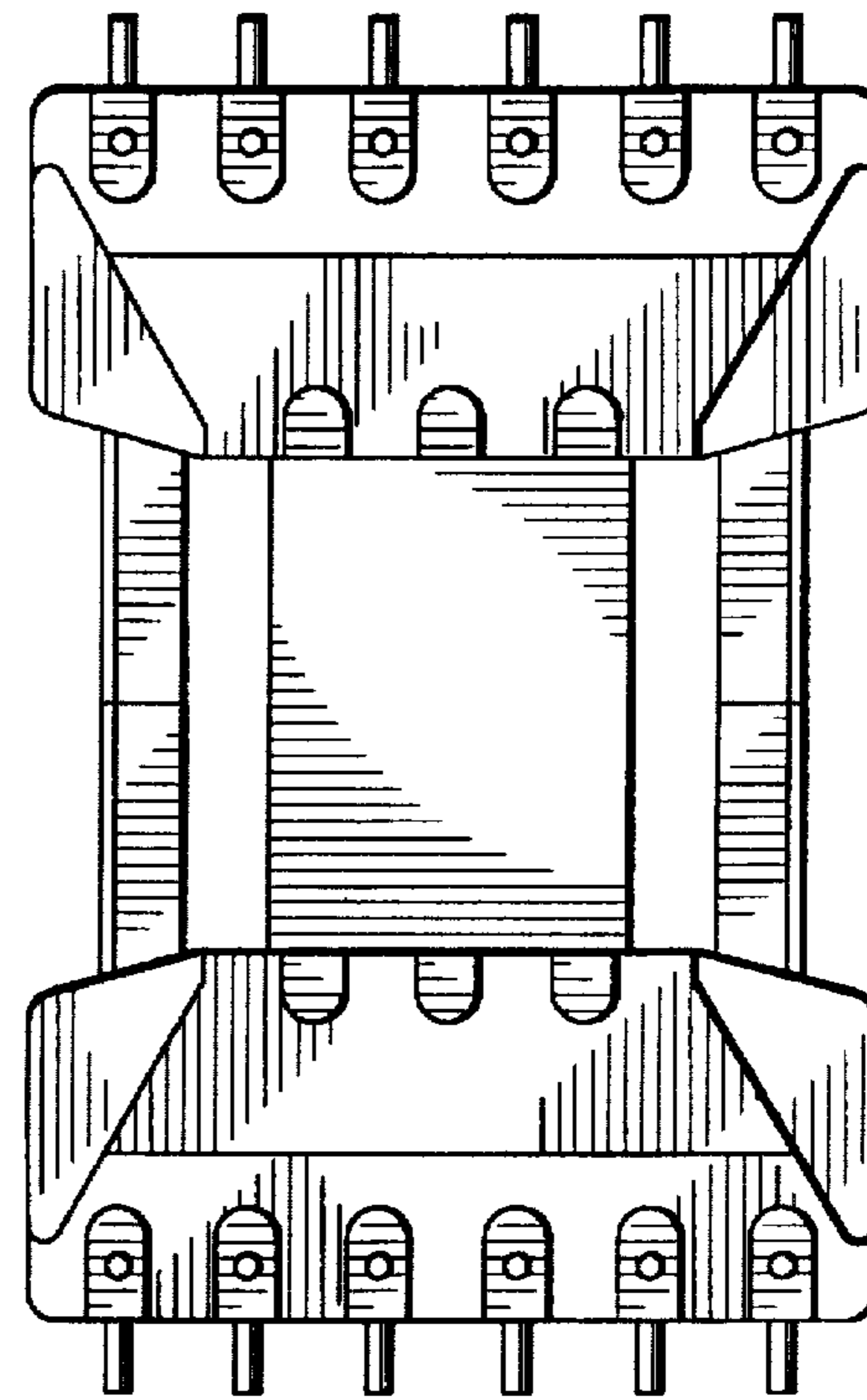


FIG. 5