

US00D385836S

United States Patent [19]
Stoltzfus

[11] **Patent Number: Des. 385,836**
[45] **Date of Patent: **Nov. 4, 1997**

[54] **WHEEL SPRING SUPPORT FRAME FOR VEHICLES**

3,580,347 5/1971 McGee 280/718 X
3,726,538 4/1973 Robinson 280/718

[75] Inventor: **Jacob K. Stoltzfus**, Goshen, Ind.

Primary Examiner—Louis S. Zarfaz
Assistant Examiner—Frank Martinez
Attorney, Agent, or Firm—Baker & Daniels

[73] Assignee: **Leland Engineering, Inc.**, White Pigeon, Mich.

[57] **CLAIM**

[**] Term: **14 Years**

The ornamental design for a wheel spring support frame for vehicles, as shown and described.

[21] Appl. No.: **45,971**

DESCRIPTION

[22] Filed: **Nov. 3, 1995**

[51] LOC (6) Cl. **12-16**

FIG. 1 is a right side perspective view of a wheel spring support showing my new design;

[52] U.S. Cl. **D12/159**

FIG. 2 is a right elevational view, the left side being a mirror image thereof;

[58] Field of Search D12/159, 160; 280/788, 680, 727, 762, 718, 725; 105/212

FIG. 3 is a top plan view thereof;

FIG. 4 is a bottom plan view thereof; and,

FIG. 5 is a right end view thereof, the left end view being a mirror image thereof.

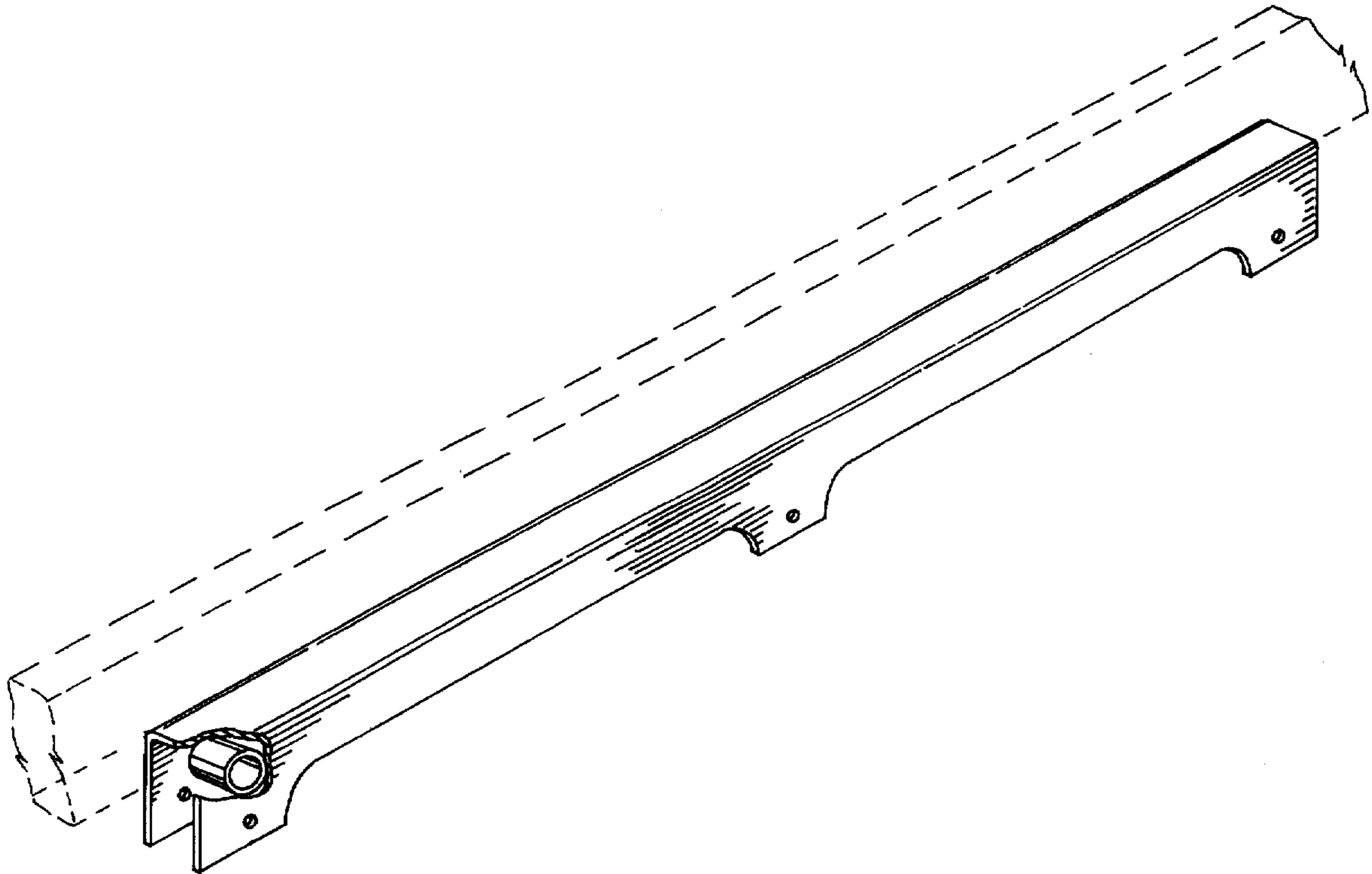
[56] **References Cited**

U.S. PATENT DOCUMENTS

1,880,530 10/1932 Tevault 280/718
2,113,796 4/1938 Meyer 280/718 X
3,279,815 10/1966 Hutchens 280/718 X

The dotted lines showing of a vehicle frame is for illustrative purposes only and forms no part of the claimed design.

1 Claim, 2 Drawing Sheets



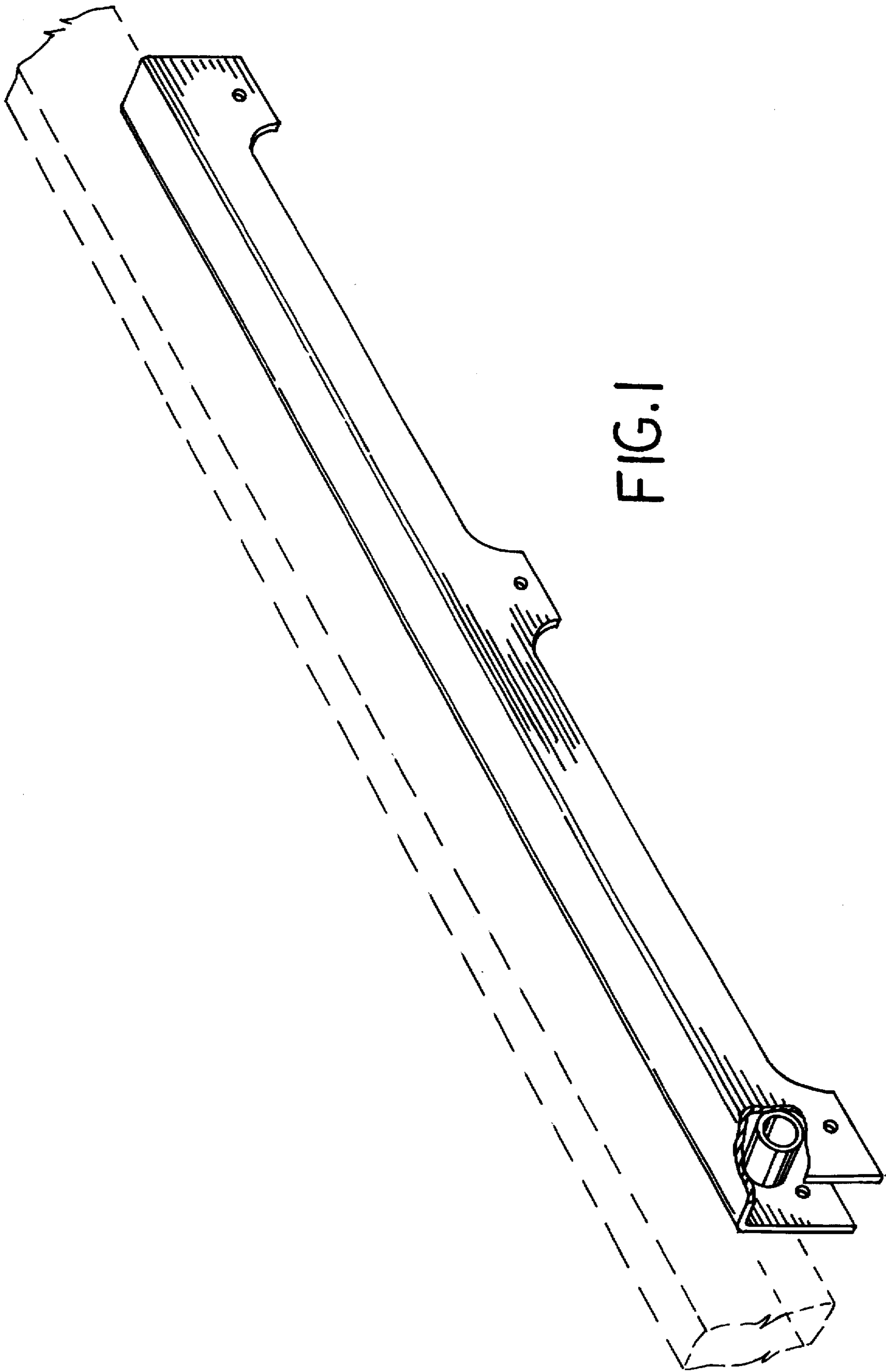


FIG. 1

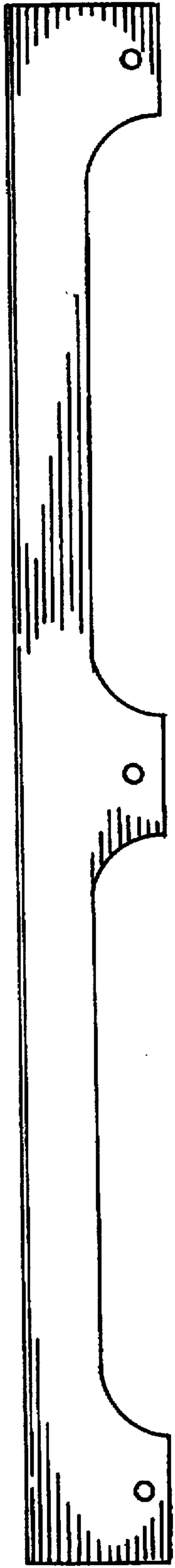


FIG. 2

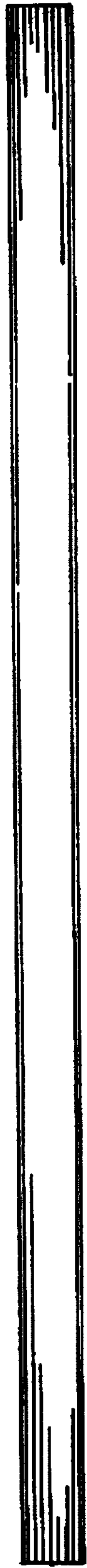


FIG. 3

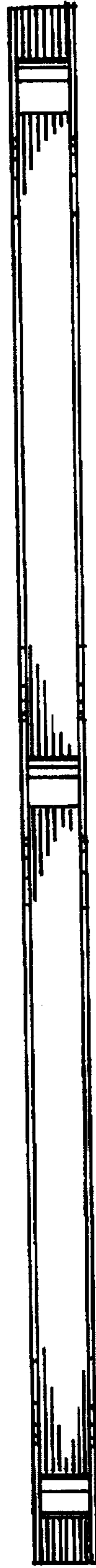


FIG. 4

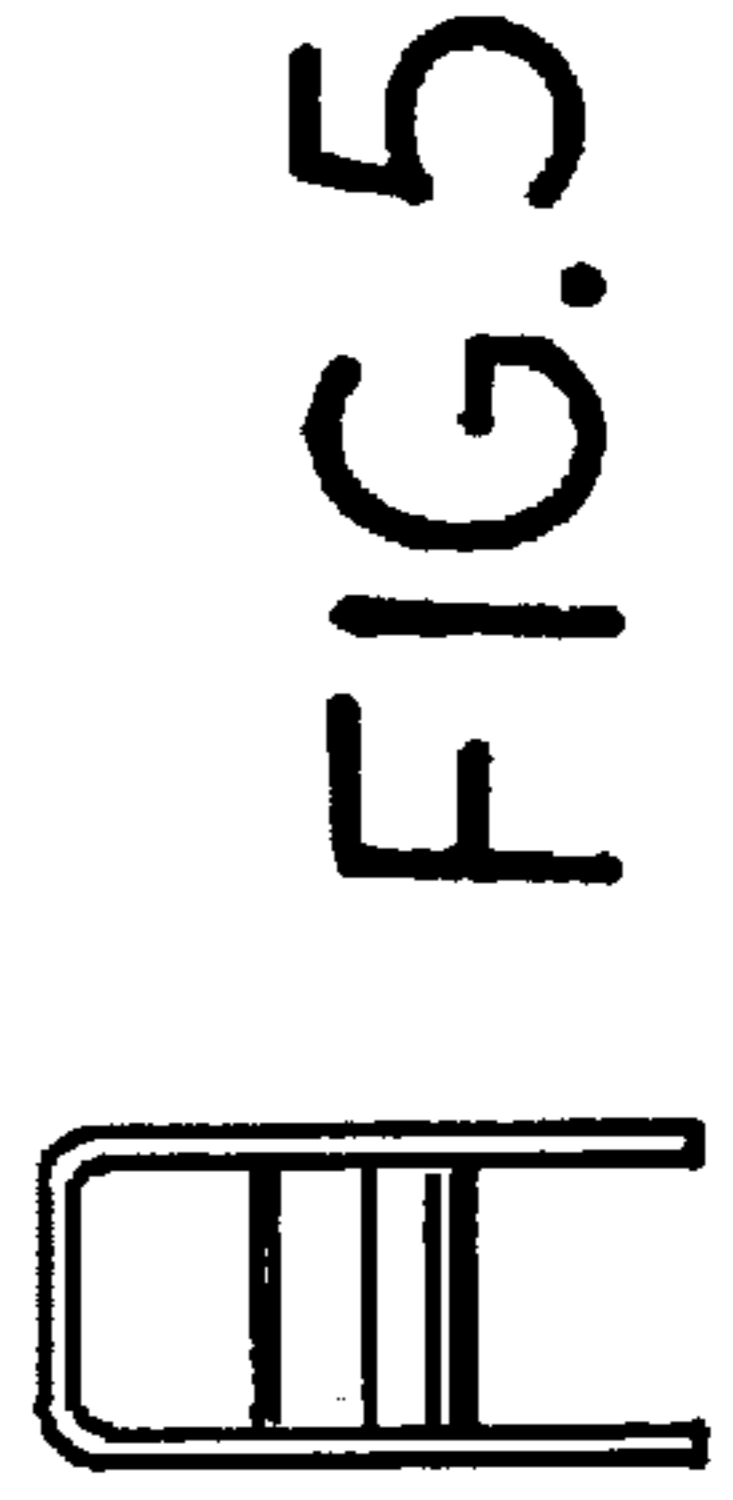


FIG. 5