



US00D385835S

United States Patent [19]

Webster

[11] Patent Number: **Des. 385,835**

[45] Date of Patent: ****Nov. 4, 1997**

[54] **ADJUSTABLE STRUTLESS LOWER CONTROL ARM**

5,009,449	4/1991	Edahiro et al.	280/701 X
5,080,389	1/1992	Kawano et al.	280/724 X
5,431,429	7/1995	Lee	280/724 X

[76] Inventor: **Warren Reed Webster**, 5609-F Parker-Henderson Rd., Fort worth, Tex. 76119

Primary Examiner—James Gandy
Assistant Examiner—Linda Brooks

[**] Term: **14 Years**

[57] **CLAIM**

[21] Appl. No.: **28,902**

The ornamental design for an adjustable strutless lower control arm, as shown.

[22] Filed: **Sep. 23, 1994**

DESCRIPTION

[51] LOC (6) Cl. **12-16**

[52] U.S. Cl. **D12/159**

[58] Field of Search D12/159, 160, D12/179; 280/666, 667, 670, 696, 701, 724-726, 788

FIG. 1 is a perspective front view of an adjustable strutless lower control arm;

FIG. 2 is a top plan view of an adjustable strutless lower control arm;

FIG. 3 is a side elevation view of an adjustable strutless lower control arm; and,

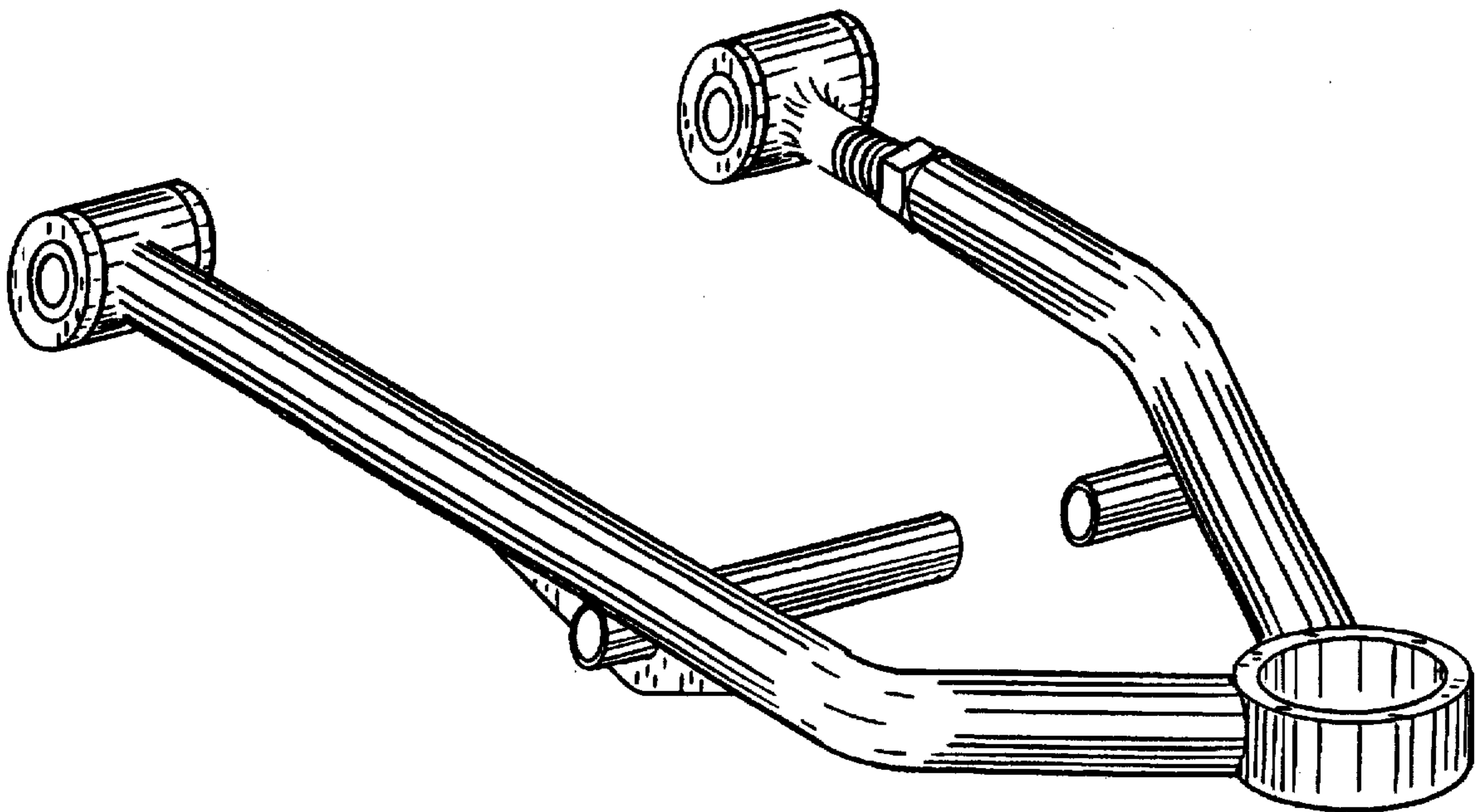
FIG. 4 is a bottom plan view of an adjustable strutless lower control arm.

[56] **References Cited**

U.S. PATENT DOCUMENTS

4,537,420	8/1985	Ito et al.	280/696 X
4,740,012	4/1988	Kondo et al.	280/725 X

1 Claim, 3 Drawing Sheets



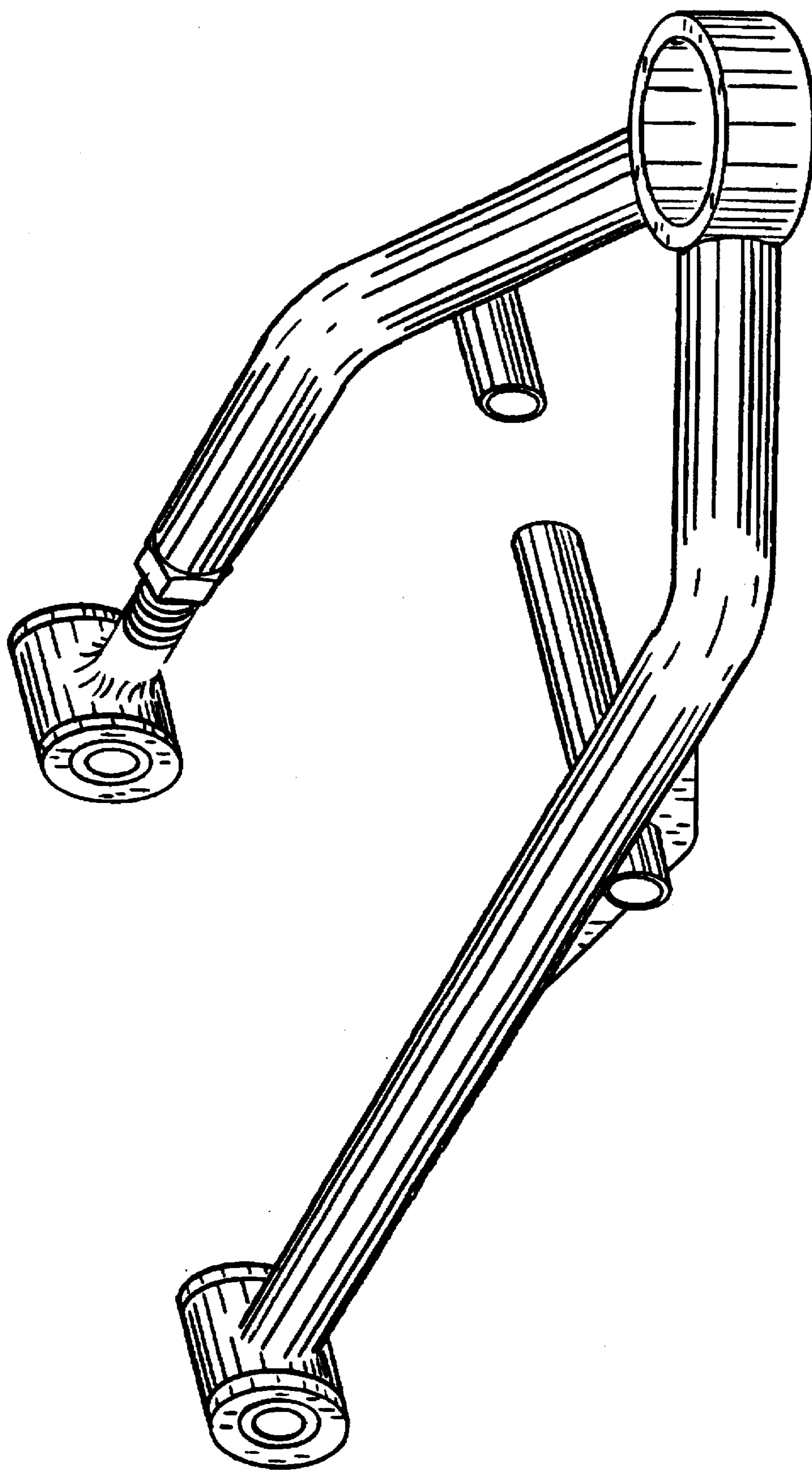


FIG. 1

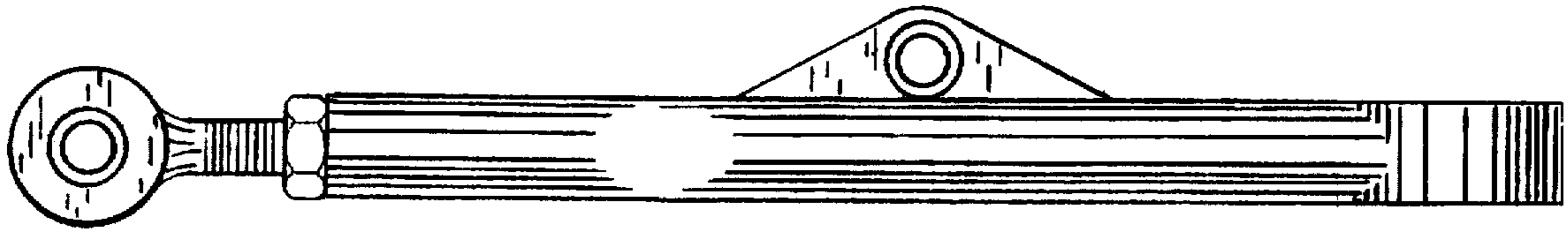


FIG. 3

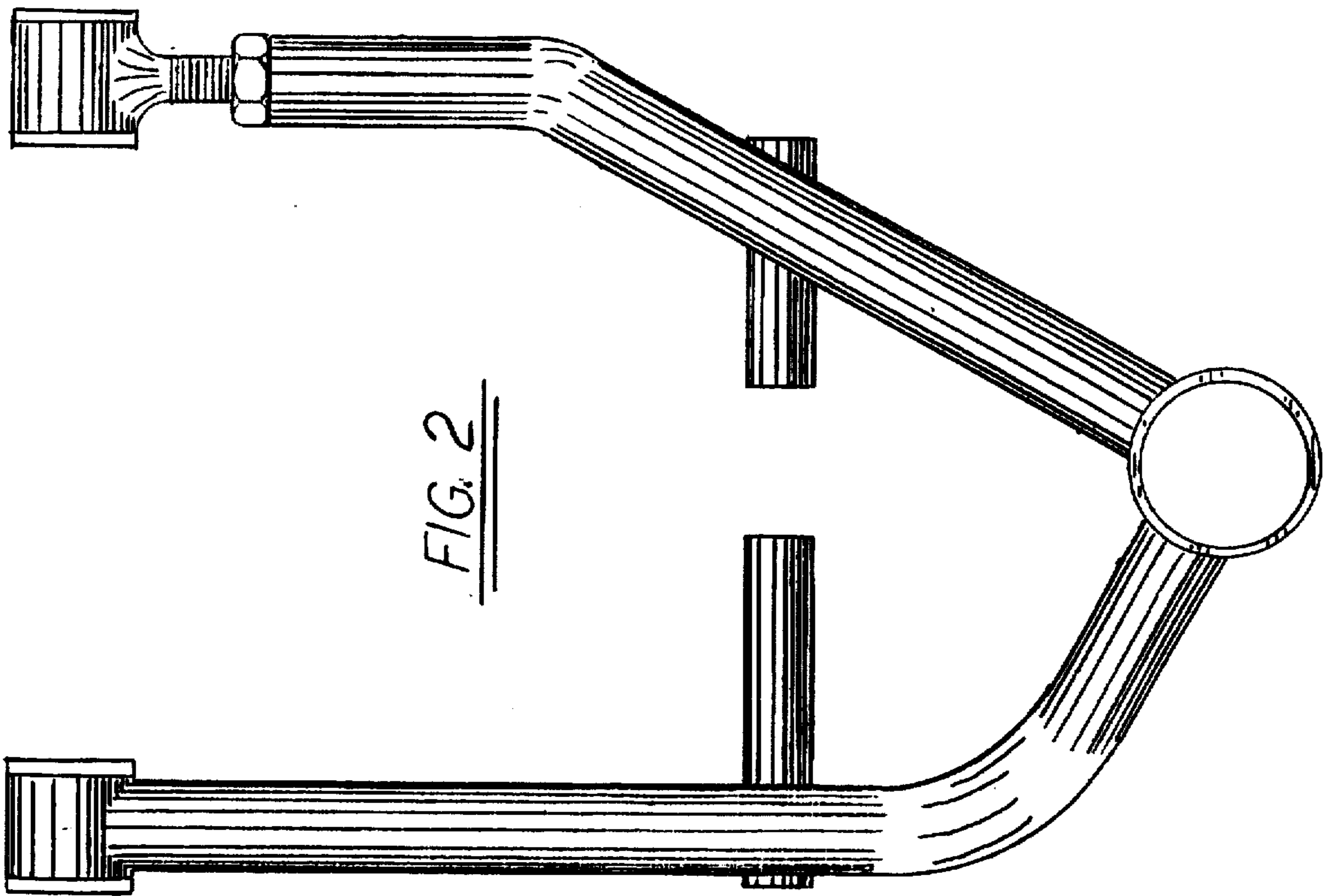


FIG. 2

