



US00D385833S

United States Patent [19]
Ratliff, Jr.

[11] **Patent Number:** **Des. 385,833**

[45] **Date of Patent:** ****Nov. 4, 1997**

[54] **TIRE TREAD**

[75] **Inventor:** **Billy Joe Ratliff, Jr., Akron, Ohio**

[73] **Assignee:** **The Goodyear Tire & Rubber Company, Akron, Ohio**

[**] **Term:** **14 Years**

[21] **Appl. No.:** **59,615**

[22] **Filed:** **Sep. 13, 1996**

[51] **LOC (6) Cl.** **12-15**

[52] **U.S. Cl.** **D12/147**

[58] **Field of Search** **D12/136, 138, D12/140-151; 152/209 A, 209 D, 209 R**

[56] **References Cited**

U.S. PATENT DOCUMENTS

- D. 328,582 8/1992 Covert et al. D12/147
- D. 328,584 8/1992 Maxwell et al. D12/147

Primary Examiner—James Gandy
Assistant Examiner—Robert M. Spear
Attorney, Agent, or Firm—T. P. Lewandowski

[57] **CLAIM**

The ornamental design for a tire tread, as shown and described.

DESCRIPTION

FIG. 1 is a perspective view of a tire tread, it being understood that the pattern is repeated uniformly throughout the circumference of the tread;

FIG. 2 is a front elevational view thereof;

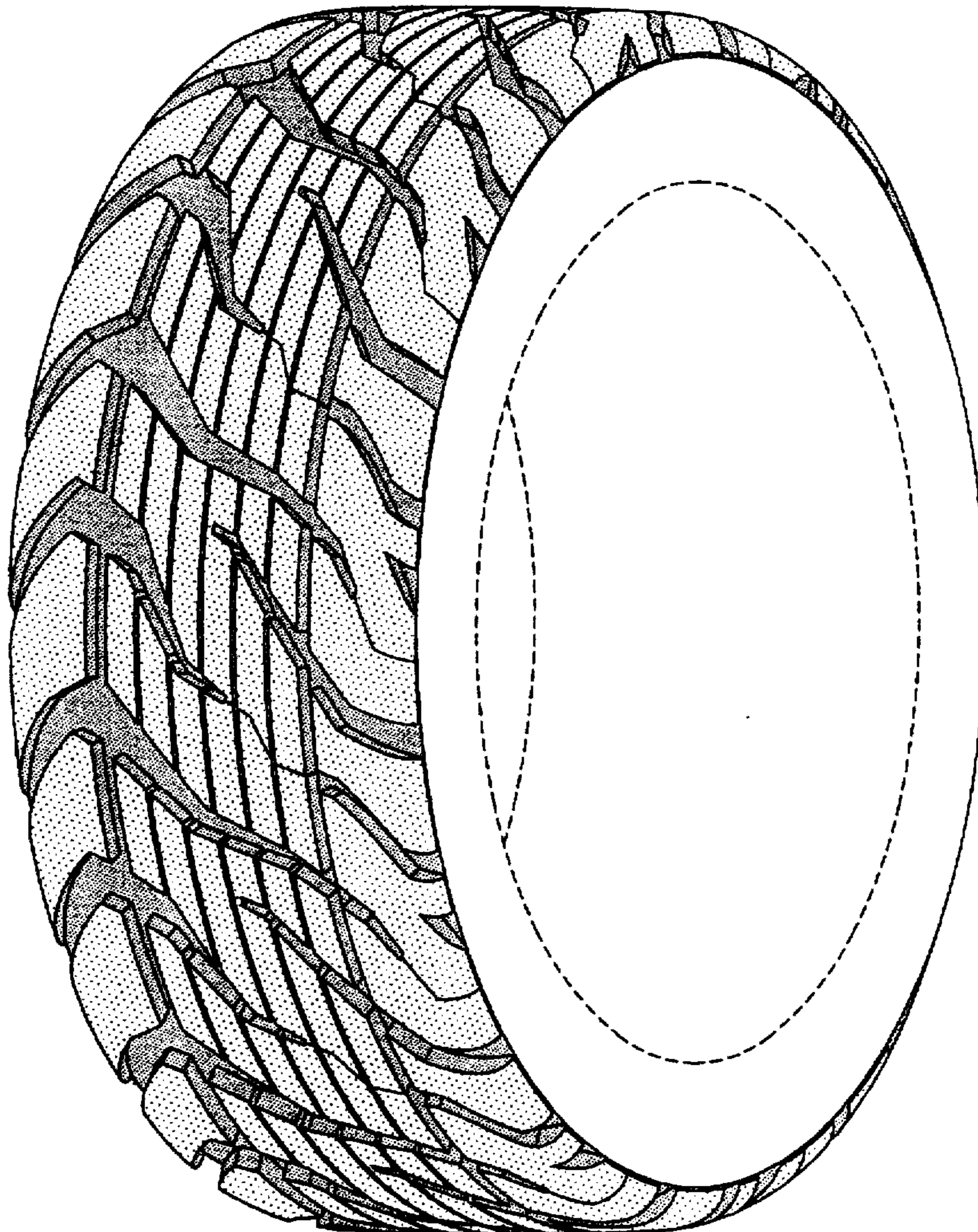
FIG. 3 is a right side elevational view thereof;

FIG. 4 is a left side elevational view thereof; and,

FIG. 5 is an enlarged fragmentary front view thereof.

The broken line showing of the tire sidewall in the drawings is for illustrative purposes only and forms no part of the claimed design;

1 Claim, 5 Drawing Sheets



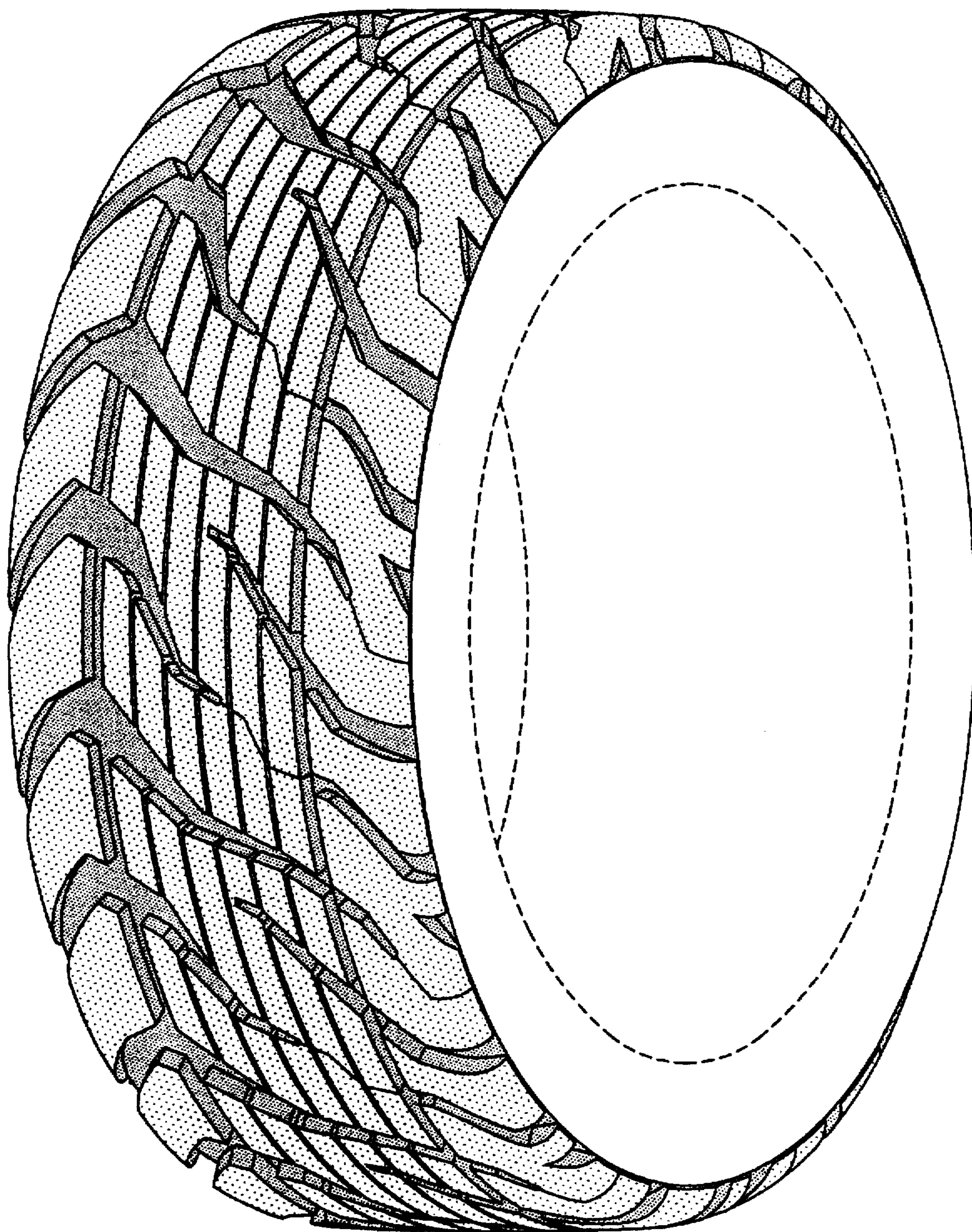


FIG-1

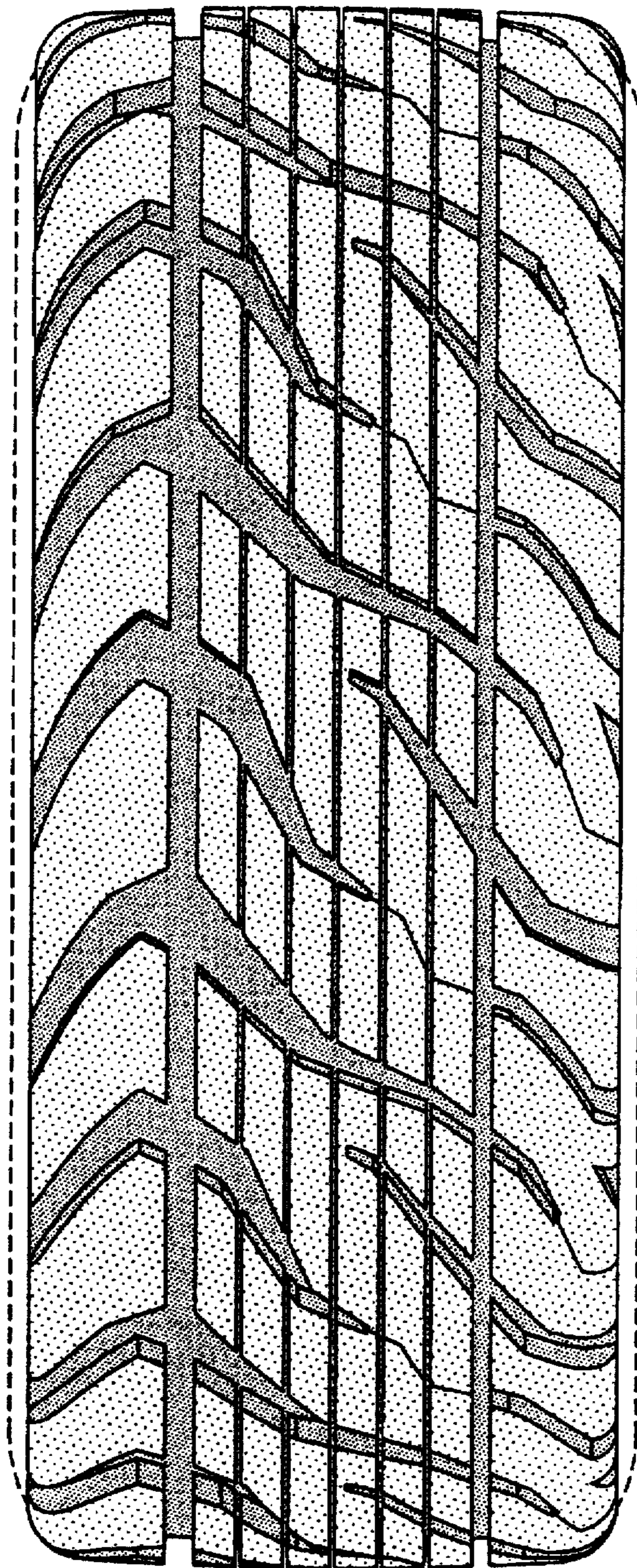


FIG-2

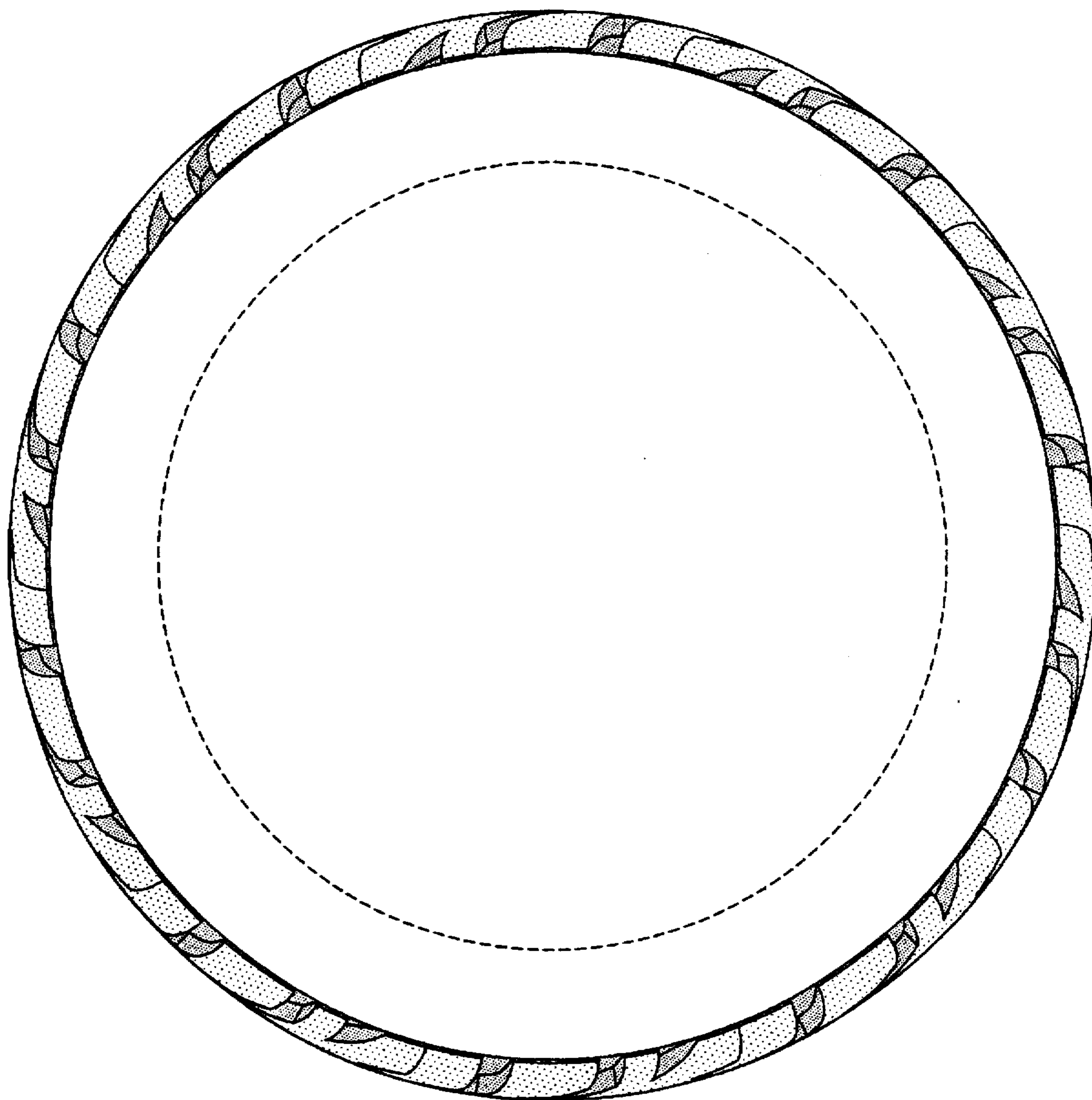


FIG-3

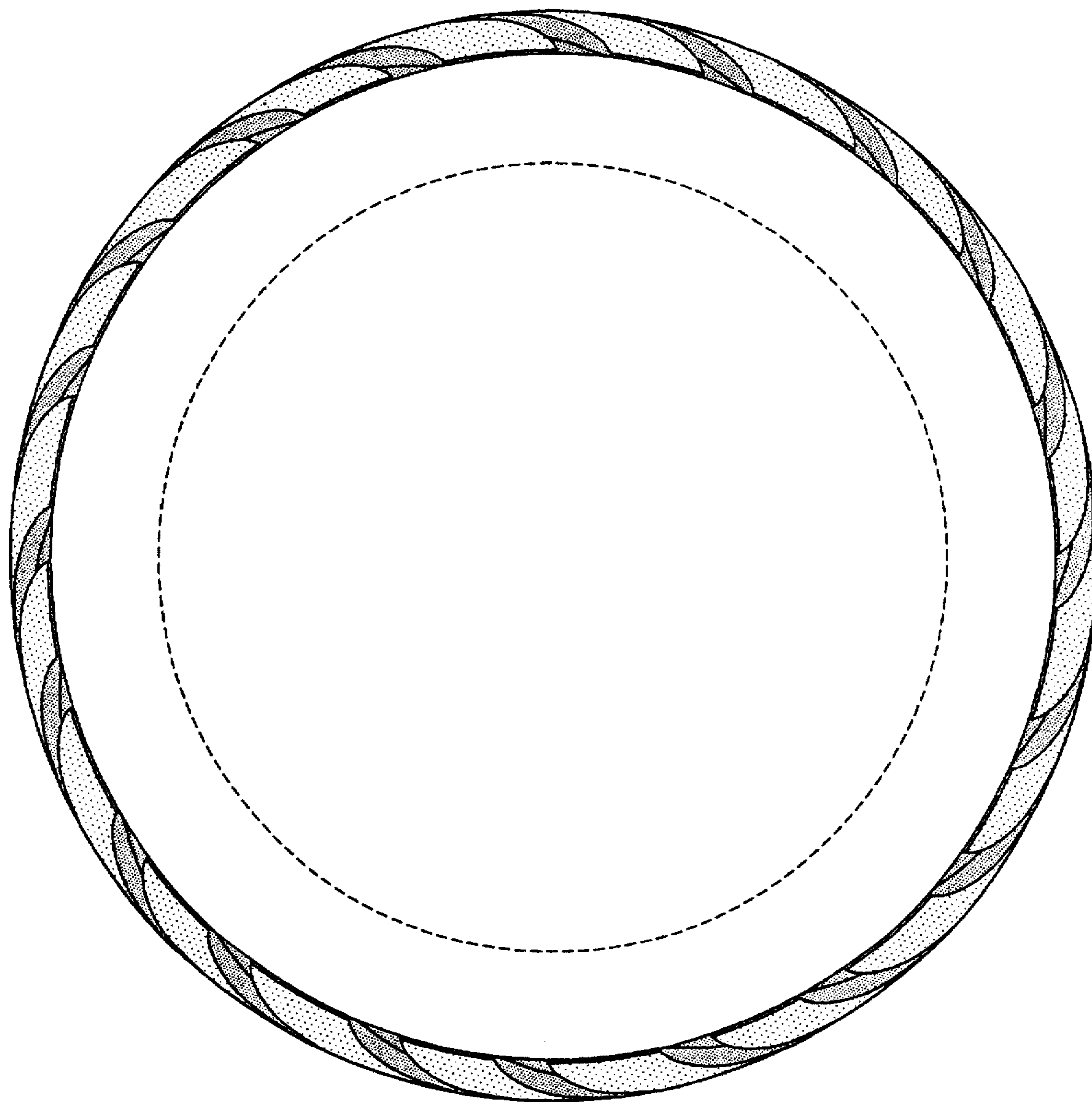


FIG-4

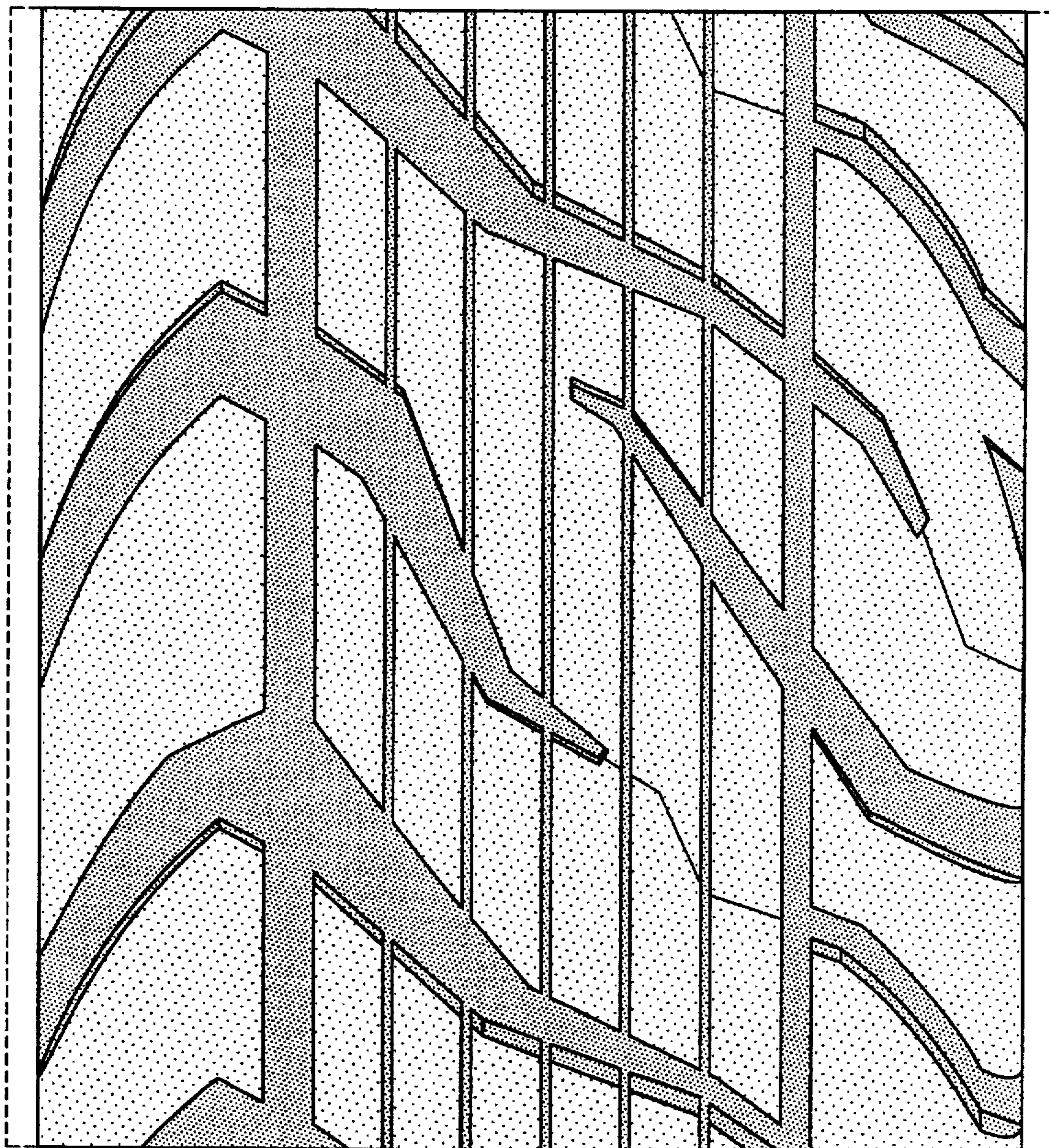


FIG-5