



US00D385832S

# United States Patent [19]

Lim et al.

[11] Patent Number: **Des. 385,832**

[45] Date of Patent: **\*\*Nov. 4, 1997**

## [54] PNEUMATIC TIRE FOR VEHICLES

[75] Inventors: **Nack-Hyun Lim; Bock-Su Park**, both of Kwangju, Rep. of Korea

[73] Assignee: **Kumho & Co., Inc.**, Seoul, Rep. of Korea

[\*\*] Term: **14 Years**

[21] Appl. No.: **55,751**

[22] Filed: **Jun. 12, 1996**

### [30] Foreign Application Priority Data

Apr. 2, 1996 [KR] Rep. of Korea ..... 6060

[51] LOC (6) Cl. .... **12-15**

[52] U.S. Cl. .... **D12/146**

[58] Field of Search ..... D12/136, 138, D12/140-151; 152/209 A, 209 D, 209 R

### [56] References Cited

#### U.S. PATENT DOCUMENTS

D. 261,753	11/1981	Blankenship et al. ....	D12/147
D. 340,896	11/1993	Kernen .....	D12/147
D. 342,705	12/1993	Graas .....	D12/141
D. 368,450	4/1996	Lassan et al. ....	D12/141
4,856,571	8/1989	Collette et al. ....	D12/146

## OTHER PUBLICATIONS

Cooper Lifeliner Grand Classic STE Tire, 1994 Tread Design Guide, p. 13, Jan. 1994.

Goodyear Eagle GA Tire, 1994 Tread Design Guide, p. 29, Jan. 1994.

Sears Pirelli Roadhandler Tire, 1995 Tread Design Guide, p. 61, Jan. 1995.

*Primary Examiner*—James Gandy

*Assistant Examiner*—Robert M. Spear

*Attorney, Agent, or Firm*—Lowe, Price, LeBlanc & Becker

## [57] CLAIM

The ornamental design for a pneumatic tire for vehicles, as shown and described.

## DESCRIPTION

FIG. 1 is a front elevational view showing our new design, it being understood that the tread pattern repeats uniformly throughout the circumference of the tire;

FIG. 2 is a left side elevational view thereof, the side opposite being substantially a mirror image;

FIG. 3 is an enlarged fragmentary view of the design shown in FIG. 1;

FIG. 4 is a cross sectional view thereof, taken along line 4—4 of FIG. 3; and,

FIG. 5 is a perspective view thereof.

**1 Claim, 3 Drawing Sheets**

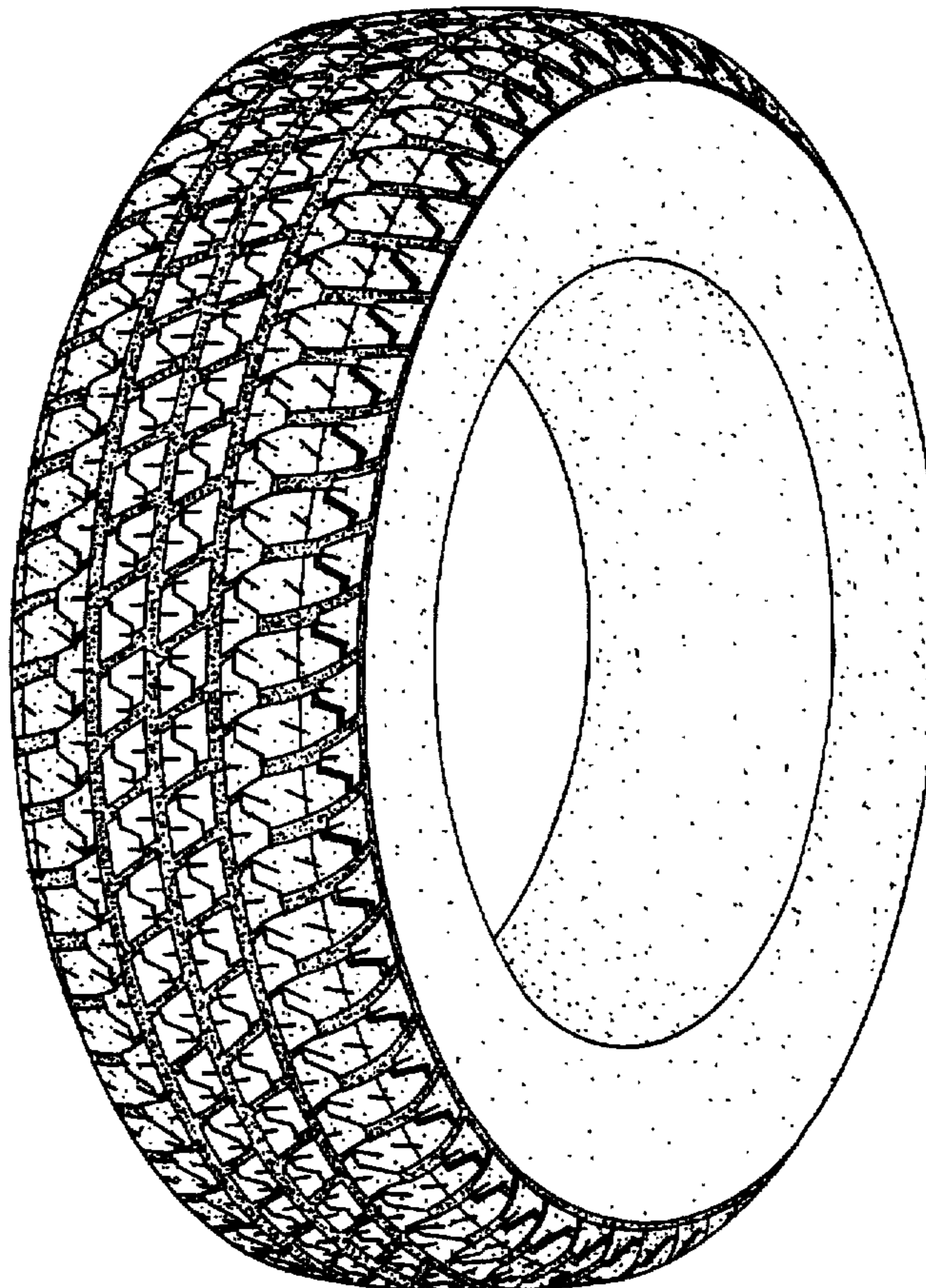


FIG. 1

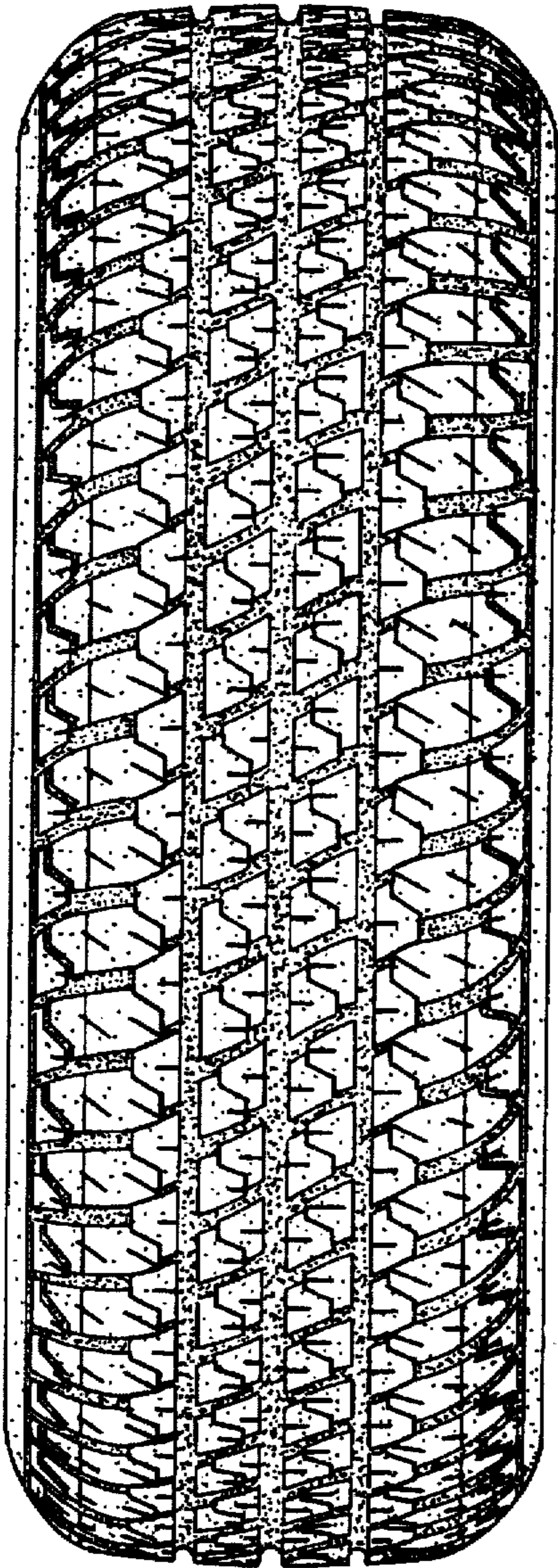


FIG. 3

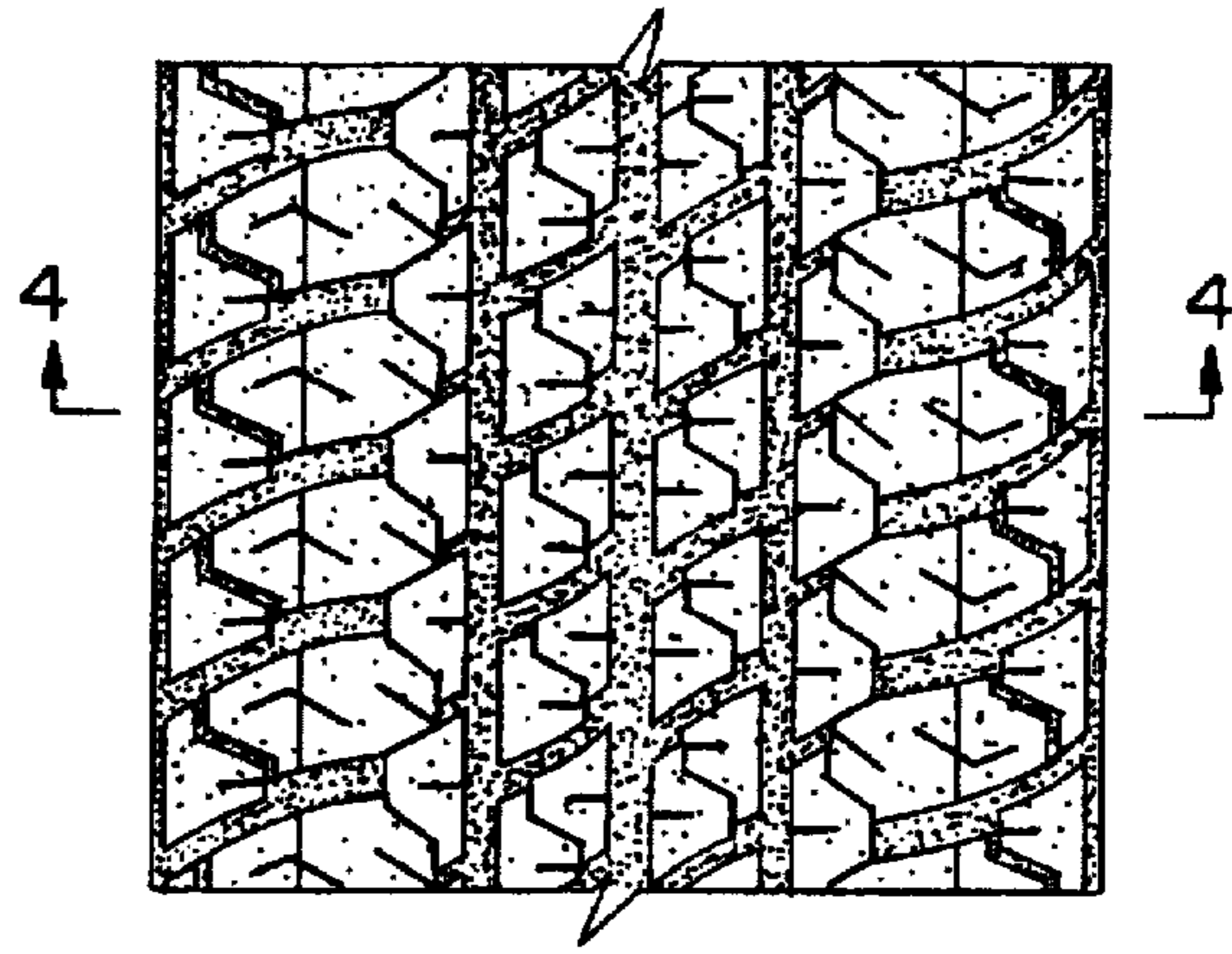


FIG. 4



FIG. 2

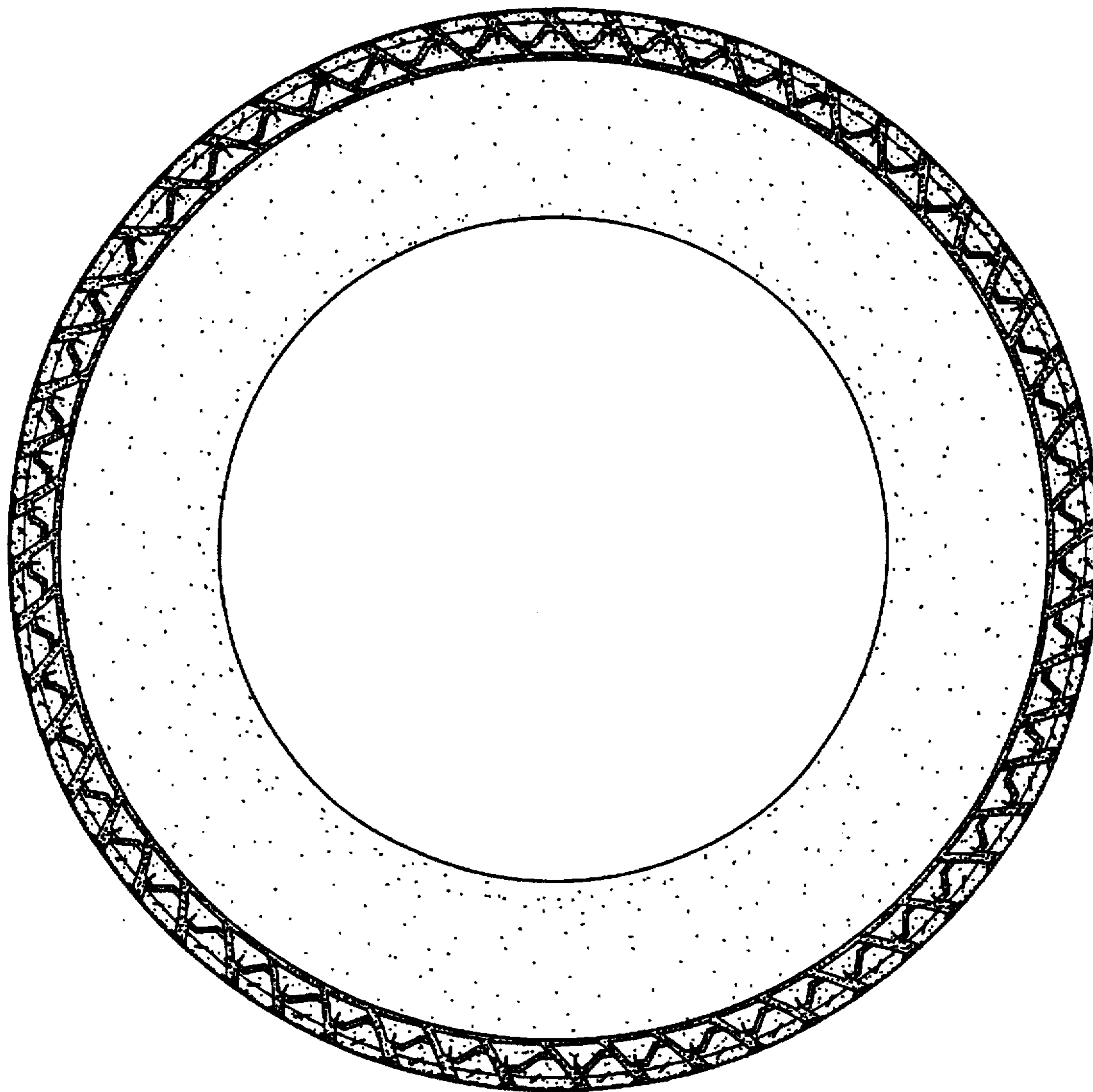


FIG. 5

