



US00D385829S

United States Patent [19] Quick

[11] Patent Number: **Des. 385,829**

[45] Date of Patent: ****Nov. 4, 1997**

[54] **BICYCLE**

[76] Inventor: **Mikell R. Quick**, 627 Graymont Ave.,
Columbia, S.C. 29205

[**] Term: **14 Years**

[21] Appl. No.: **59,984**

[22] Filed: **Sep. 19, 1996**

[51] LOC (6) Cl. **12-11**

[52] U.S. Cl. **D12/111**

[58] Field of Search **D12/111; 280/281.1,
280/288.1-288.3, 282, 261, 270**

D. 278,324	4/1985	Breen	D12/111
D. 299,220	1/1989	Trusky	.	
D. 301,437	6/1989	Bleustein et al.	.	
D. 318,254	7/1991	Turowski	.	
D. 350,087	8/1994	Sanborn	.	
D. 369,514	5/1996	Clarke	D12/111
2,160,034	5/1939	Schwinn	.	
2,330,892	10/1943	Horstman	.	
2,550,876	5/1951	Spencer	.	
2,590,050	3/1952	Smith	.	

Primary Examiner—Melody N. Brown
Attorney, Agent, or Firm—Michael A. Mann

[57] CLAIM

The ornamental design for a bicycle, as shown and described.

[56] References Cited

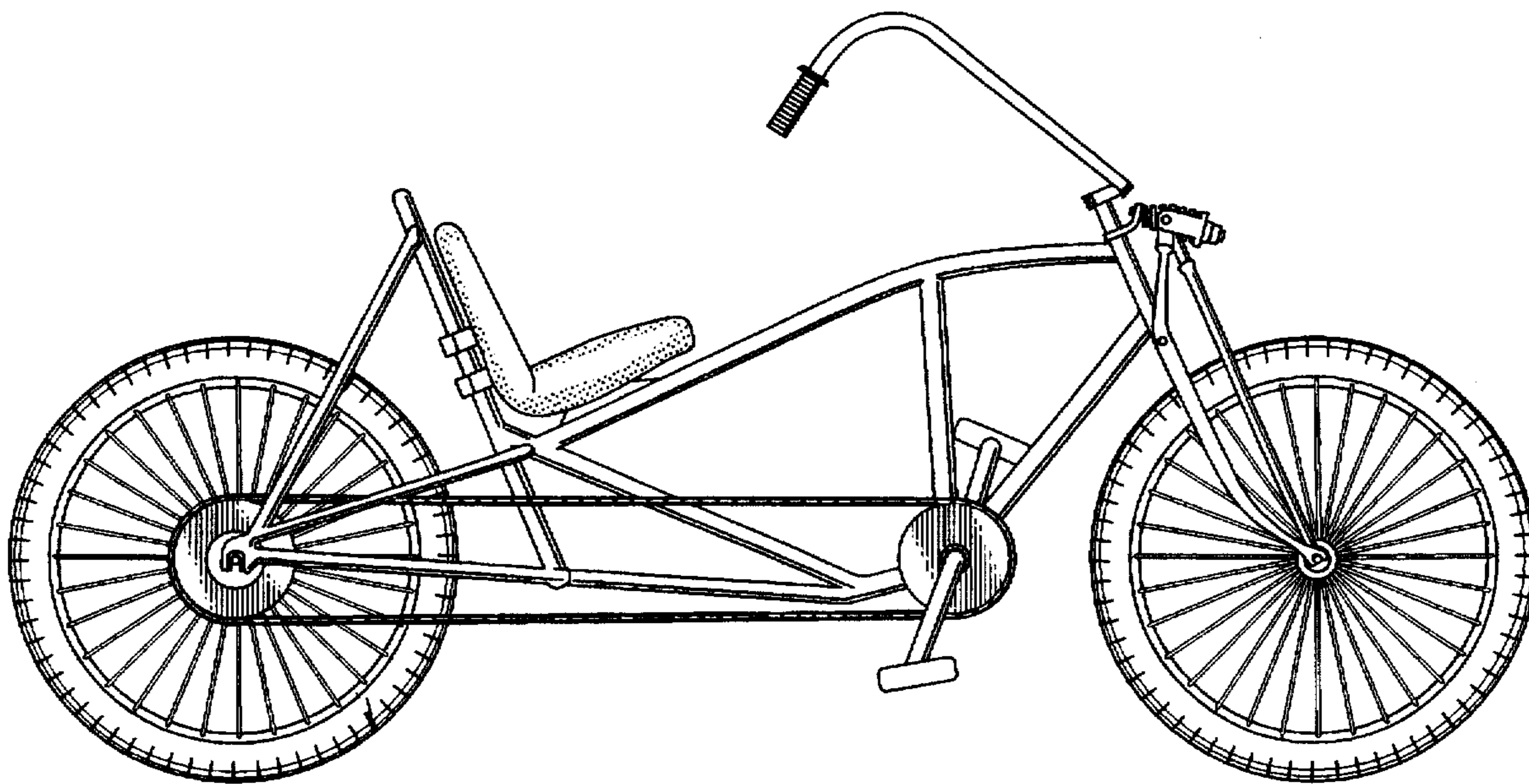
U.S. PATENT DOCUMENTS

D. 202,968	11/1965	Carey et al.	.	
D. 216,856	3/1970	Black	.	
D. 220,302	3/1971	Shaw	.	
D. 226,442	3/1973	Rees et al.	.	
D. 236,803	9/1975	Ennis	.	
D. 237,641	11/1975	Kato	.	
D. 243,755	3/1977	Silva, Jr.	.	
D. 246,171	10/1977	Dodd	.	
D. 248,634	7/1978	Souza et al.	.	
D. 275,273	8/1984	Martin	.	
D. 277,744	2/1985	Traylor	D12/111

DESCRIPTION

FIG. 1 is a right side view of a bicycle showing my new design;
 FIG. 2 is a left side view thereof;
 FIG. 3 is a top view thereof;
 FIG. 4 is a bottom view thereof;
 FIG. 5 is front view thereof;
 FIG. 6 is a back view thereof.

1 Claim, 4 Drawing Sheets



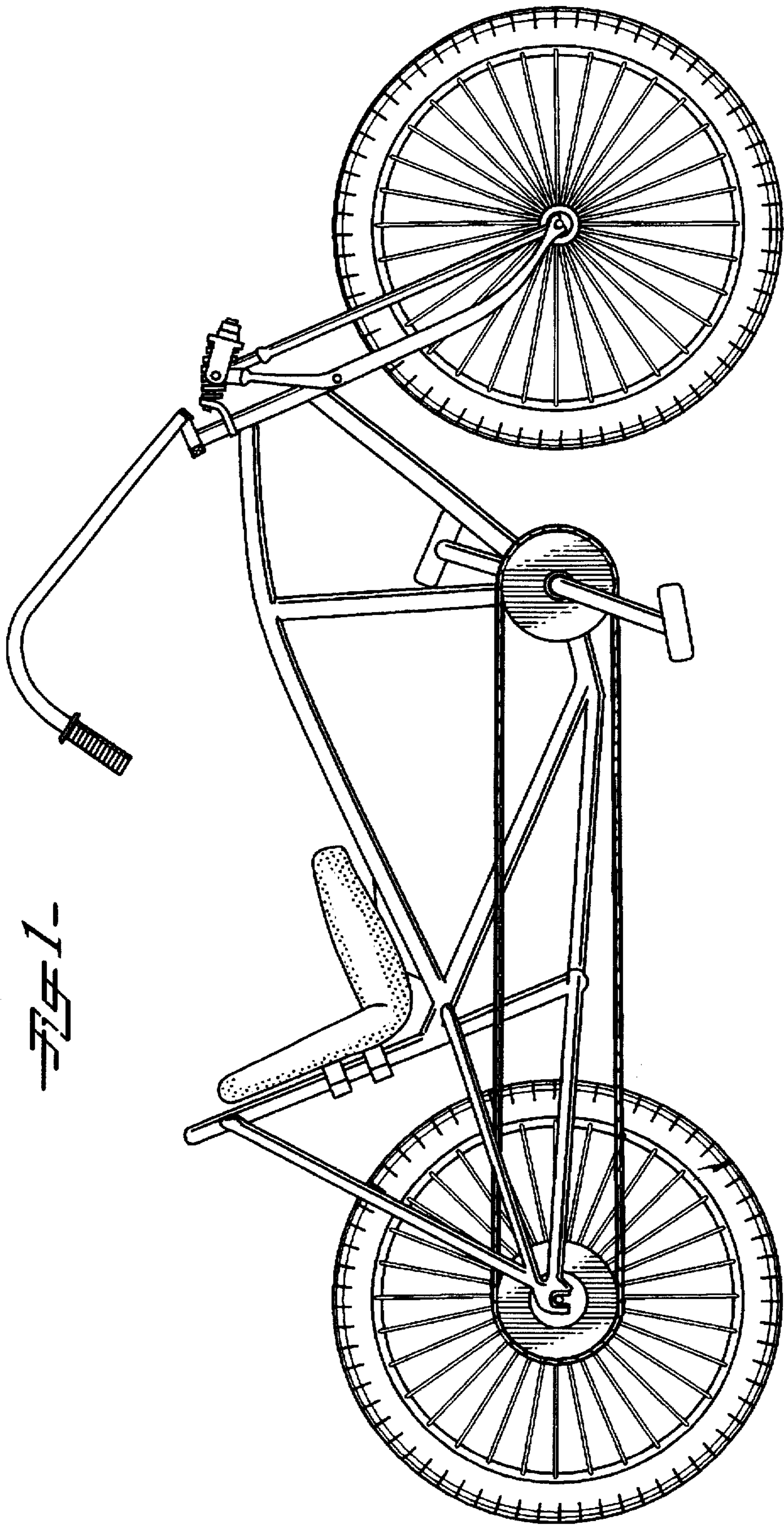


Fig. 1-

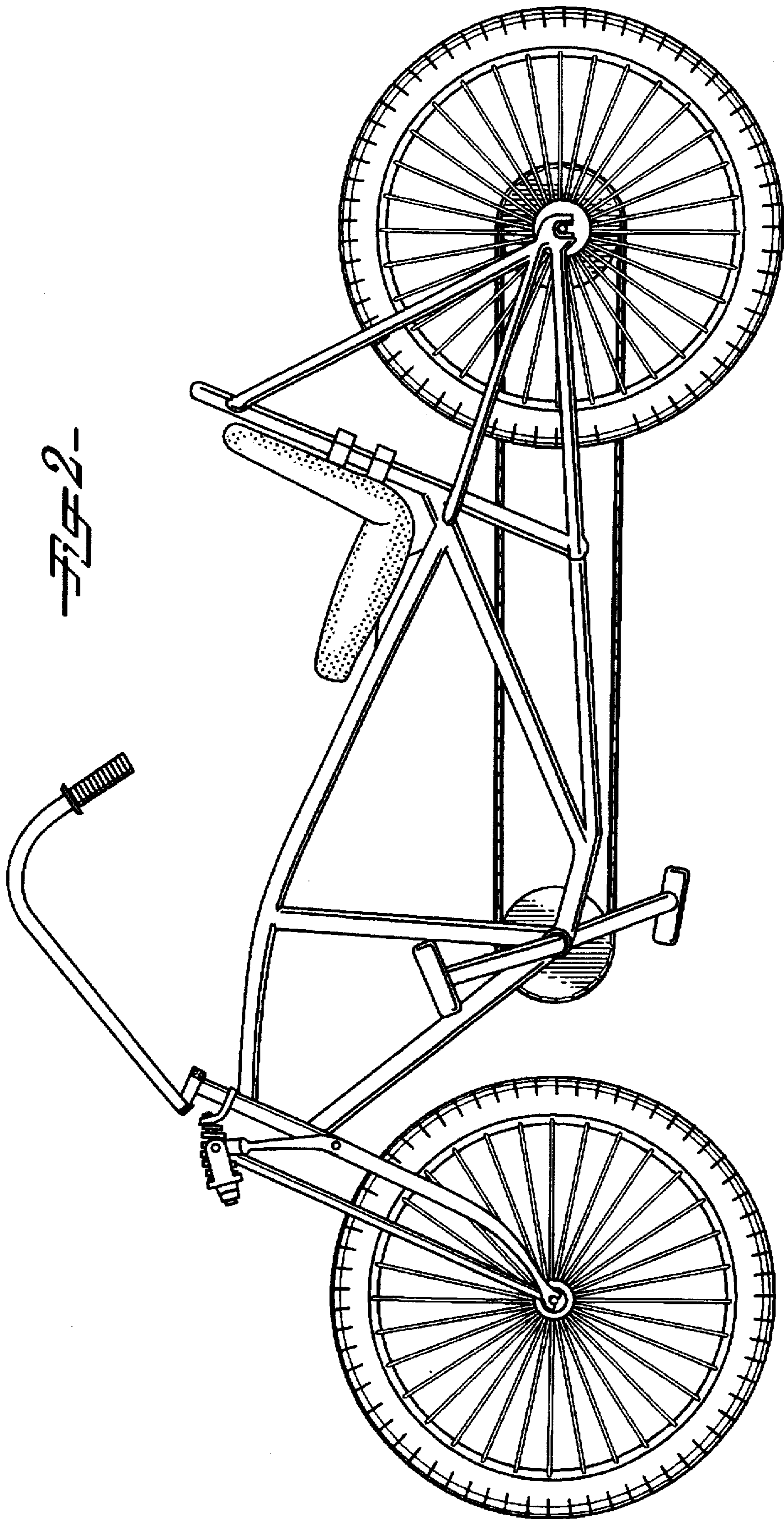


Fig. 2-

Fig 3-

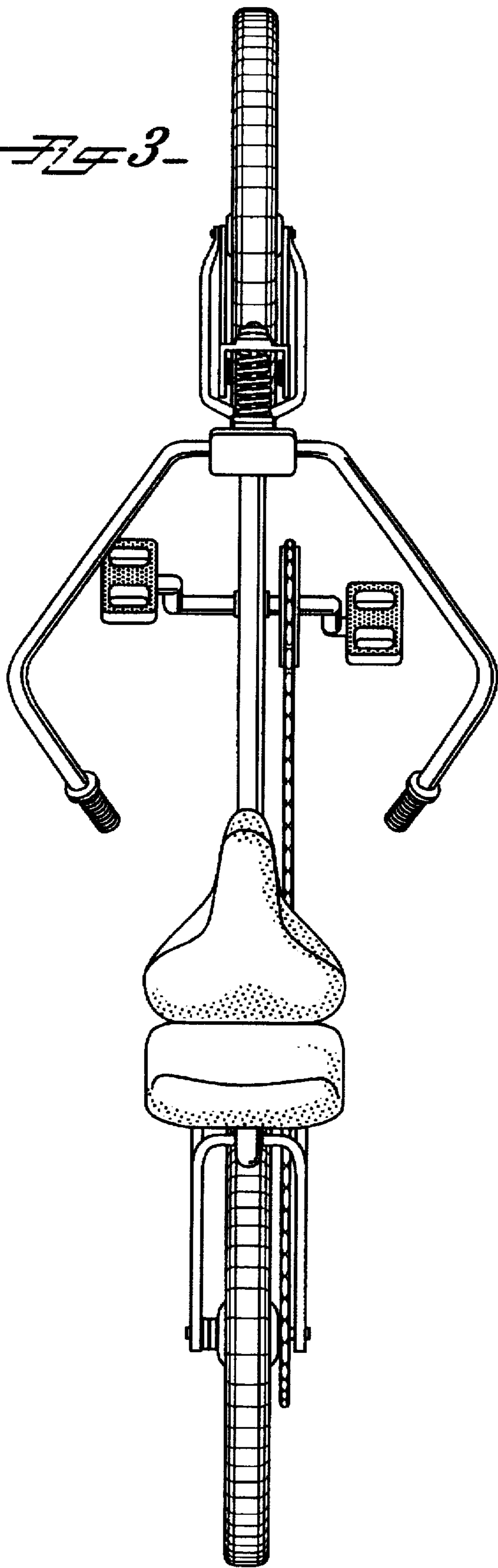


Fig 4-

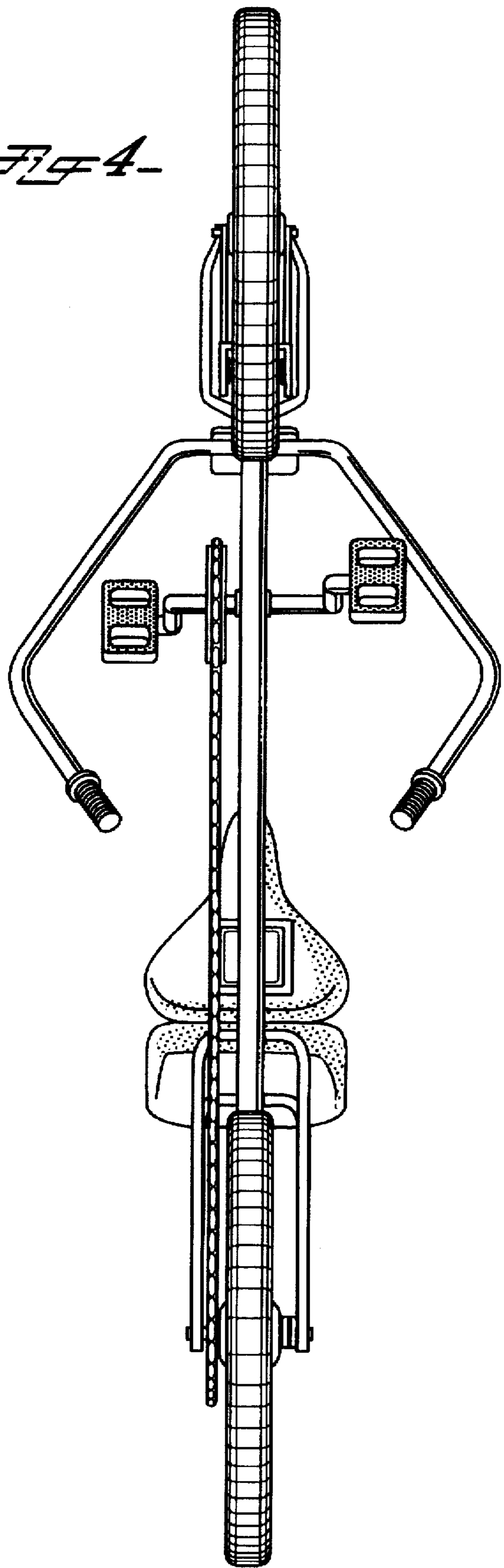


Fig 5

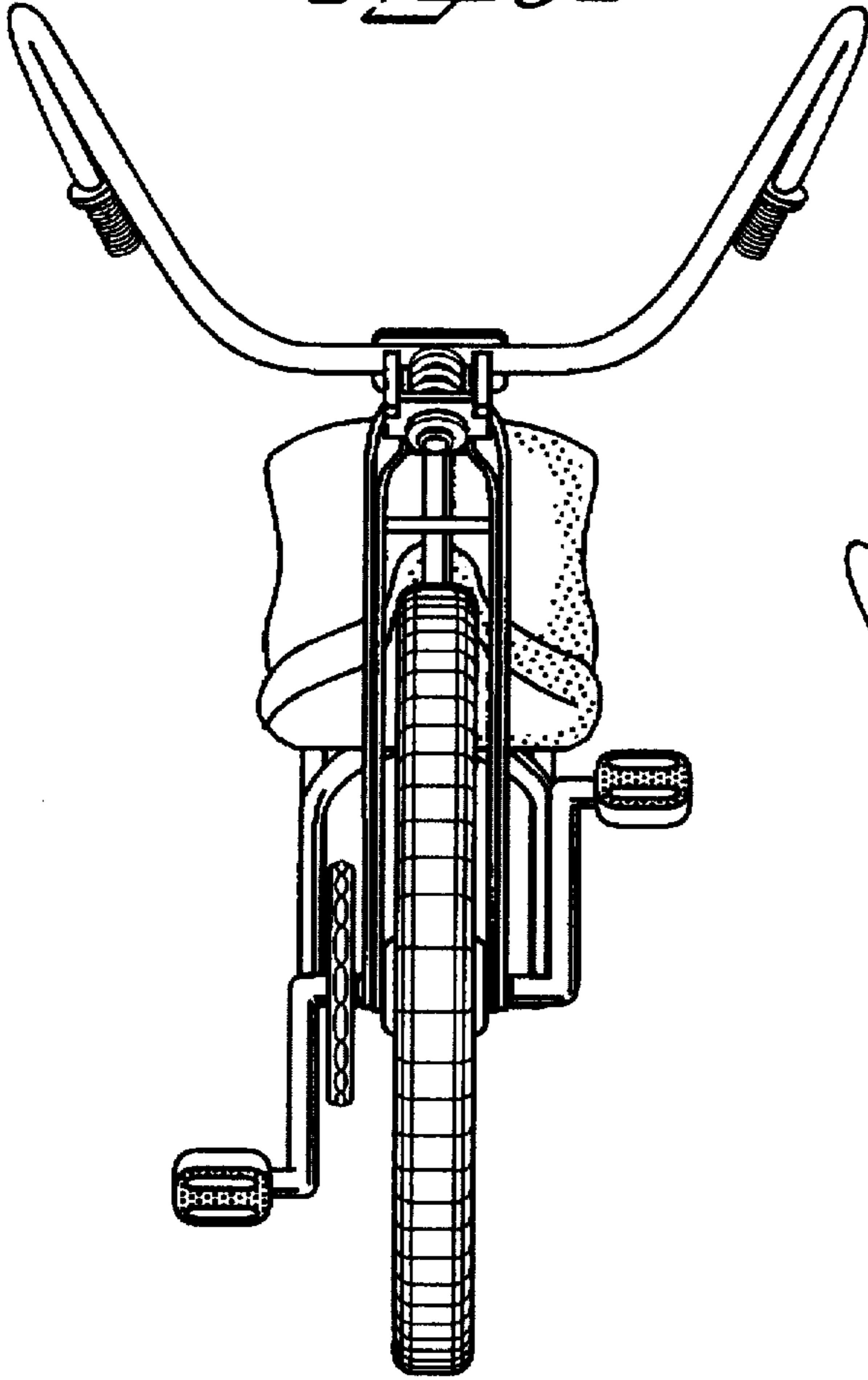


Fig 6

