



US00D385813S

**United States Patent** [19]  
**Hartzband**

[11] **Patent Number:** **Des. 385,813**

[45] **Date of Patent:** **\*\*Nov. 4, 1997**

[54] **WATCH BRACELET**

[75] **Inventor:** **Paul Hartzband**, Chappaqua, N.Y.

[73] **Assignee:** **HartCase Corp.**, Rockville Centre, N.Y.

[\*\*] **Term:** **14 Years**

[21] **Appl. No.:** **50,216**

[22] **Filed:** **Feb. 12, 1996**

[51] **LOC (6) Cl.** ..... **11-01**

[52] **U.S. Cl.** ..... **D11/21**

[58] **Field of Search** ..... **D11/1-25, 37-39, D11/93, 94; 63/1.1-1.2, 12-13, 14.1, 4, 5; 59/79.3, 80, 82, 90, 3**

[56] **References Cited**

**U.S. PATENT DOCUMENTS**

D. 211,599	7/1968	Luft	.....	D11/21
D. 221,246	7/1971	Poon	.....	D11/21
D. 221,580	8/1971	Poon	.....	D11/25
1,831,951	11/1931	Fassnacht et al.	.....	D11/19

*Primary Examiner*—Ralf Seifert  
*Attorney, Agent, or Firm*—James A. Quinton

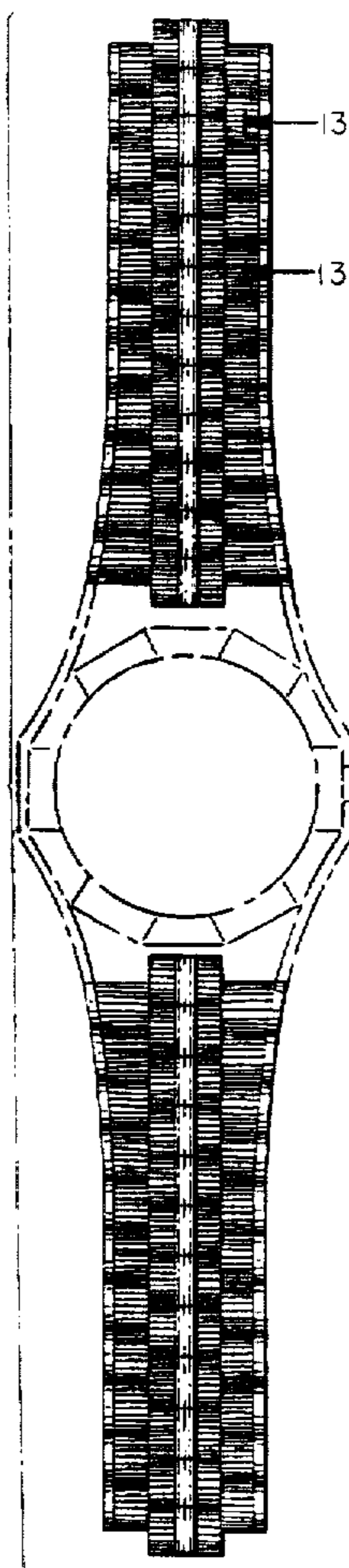
[57] **CLAIM**

The ornamental design for a watch bracelet, as shown and described.

**DESCRIPTION**

FIG. 1 is a front view of a watch bracelet according to the invention;  
 FIG. 2 is a top plan view of a watch bracelet according to the invention;  
 FIG. 3 is a right side view of a watch bracelet according to the invention;  
 FIG. 4 is a left side view of a watch bracelet according to the invention;  
 FIG. 5 is a rear view of a watch bracelet according to the invention;  
 FIG. 6 is a bottom plan view of a watch bracelet according to the invention;  
 FIG. 7 is a front view of an alternative embodiment according to the invention;  
 FIG. 8 is a top plan view of FIG. 7;  
 FIG. 9 is a right side view of FIG. 7;  
 FIG. 10 is a left side view of FIG. 7;  
 FIG. 11 is a rear view of FIG. 7;  
 FIG. 12 is a bottom plan view of FIG. 7; and,  
 FIG. 13 is a cross section taken along 13—13 of FIG. 1.

**1 Claim, 4 Drawing Sheets**



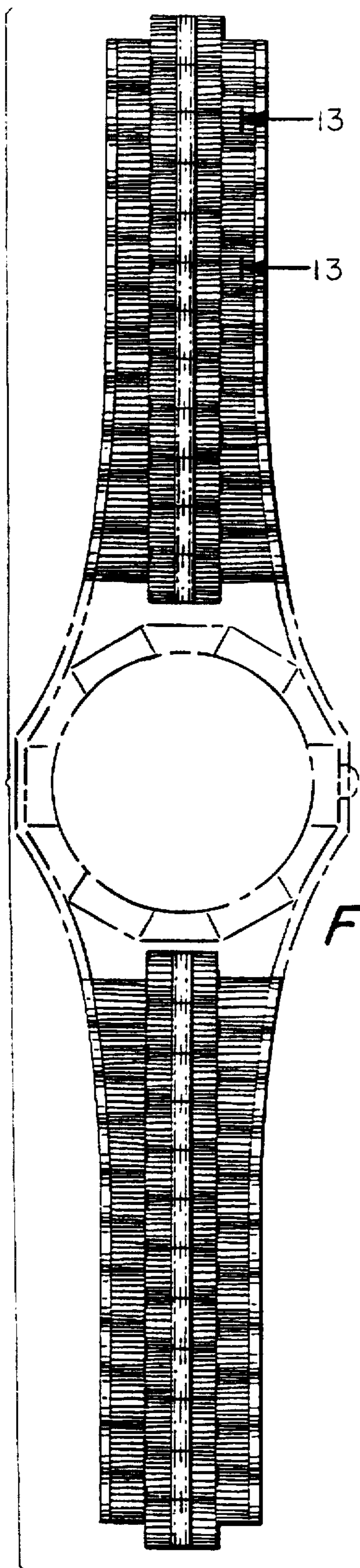


FIG. 1



FIG. 2

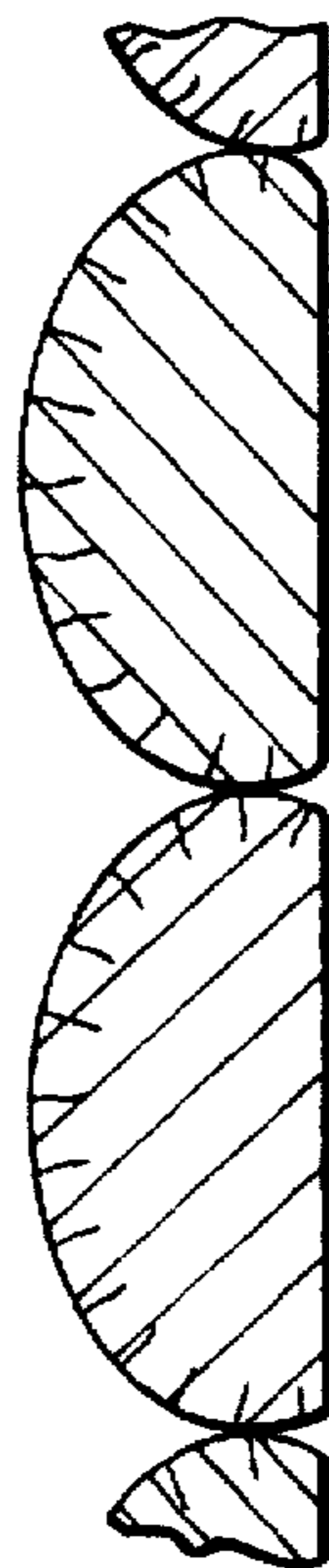


FIG. 13

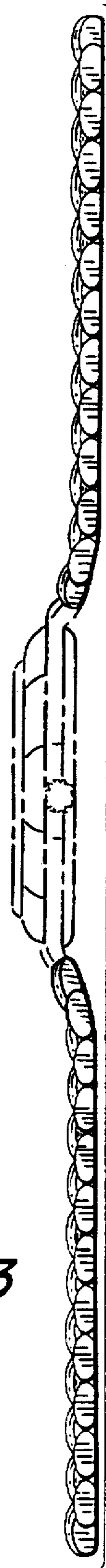


FIG. 3



FIG. 4

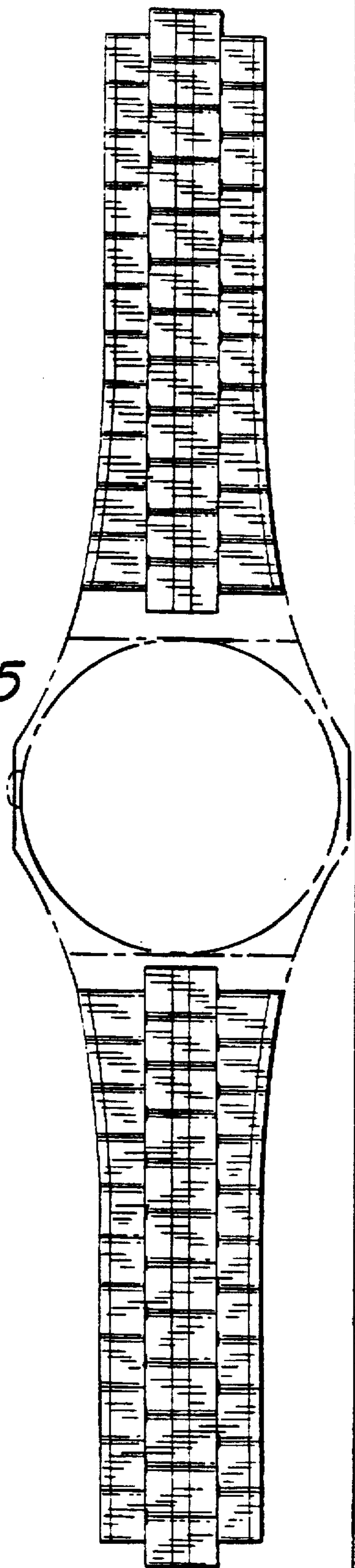


FIG. 5



FIG. 6

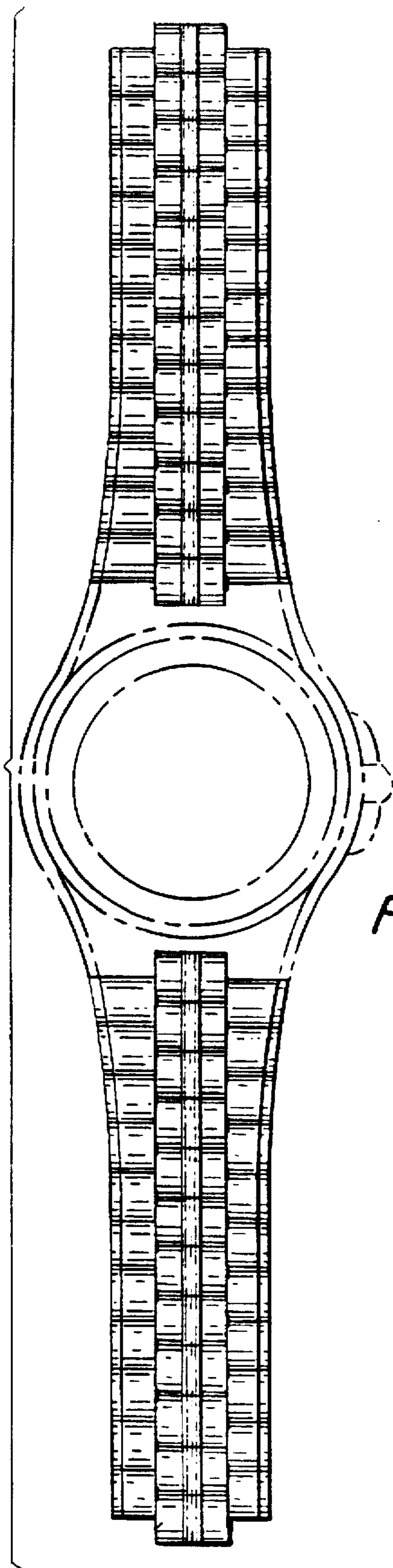


FIG. 7

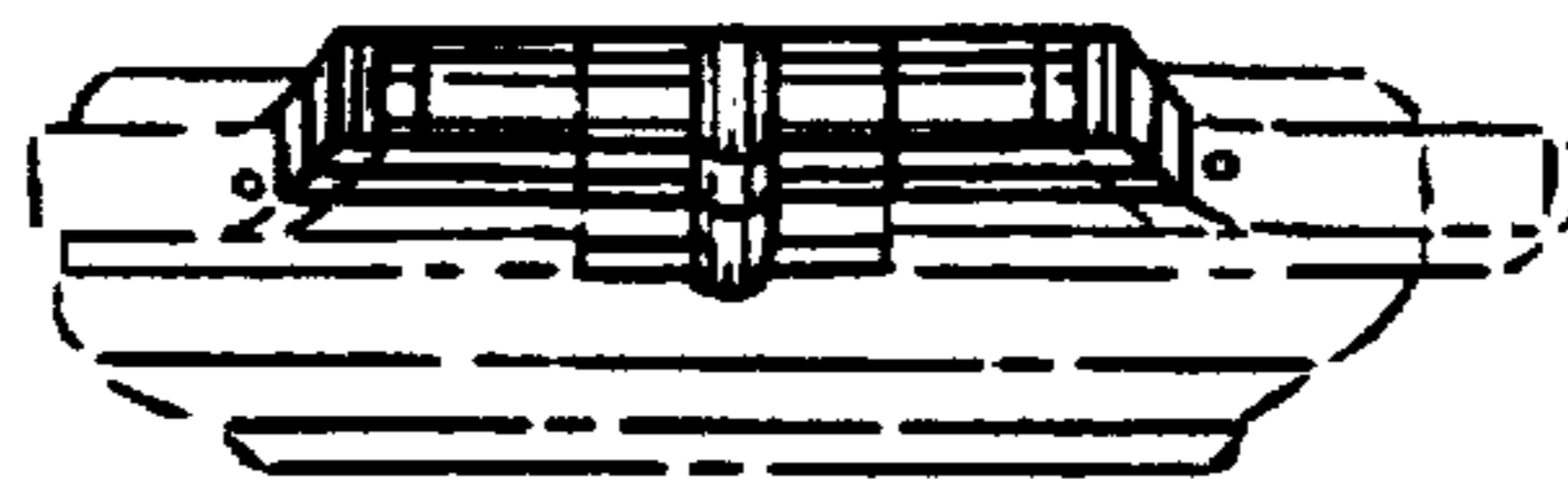


FIG. 8



FIG. 9

