



US00D385811S

# United States Patent [19]

[11] Patent Number: **Des. 385,811**

**Parden**

[45] Date of Patent: **\*\*Nov. 4, 1997**

[54] **COMBINED WARNING LIGHT AND SAFETY SIGN FOR LONG LOADS**

D. 338,044	8/1993	Rusiewicz, Jr.	.....	D10/109
D. 359,514	6/1995	Cusano	.....	D20/42
D. 362,690	9/1995	Perrault	.....	D20/42

[76] Inventor: **Janee Parden**, Rt. 1, Box 7, Holly Tree Rd., Coffeeville, Ala. 36524

*Primary Examiner*—Marcus A. Jackson  
*Attorney, Agent, or Firm*—Harold H. Dutton, Jr.

[\*\*] Term: **14 Years**

[57] **CLAIM**

[21] Appl. No.: **60,467**

The ornamental design for a combined warning light and safety sign for long loads, as shown and described.

[22] Filed: **Sep. 30, 1996**

**DESCRIPTION**

[51] **LOC (6) Cl.** ..... **10-05**

[52] **U.S. Cl.** ..... **D10/109; D10/114; D20/42**

[58] **Field of Search** ..... D10/104, 109, D10/111, 114; D20/10, 40, 41, 42; D26/28-36; 40/584, 1, 124, 124.1, 606, 607, 608, 624

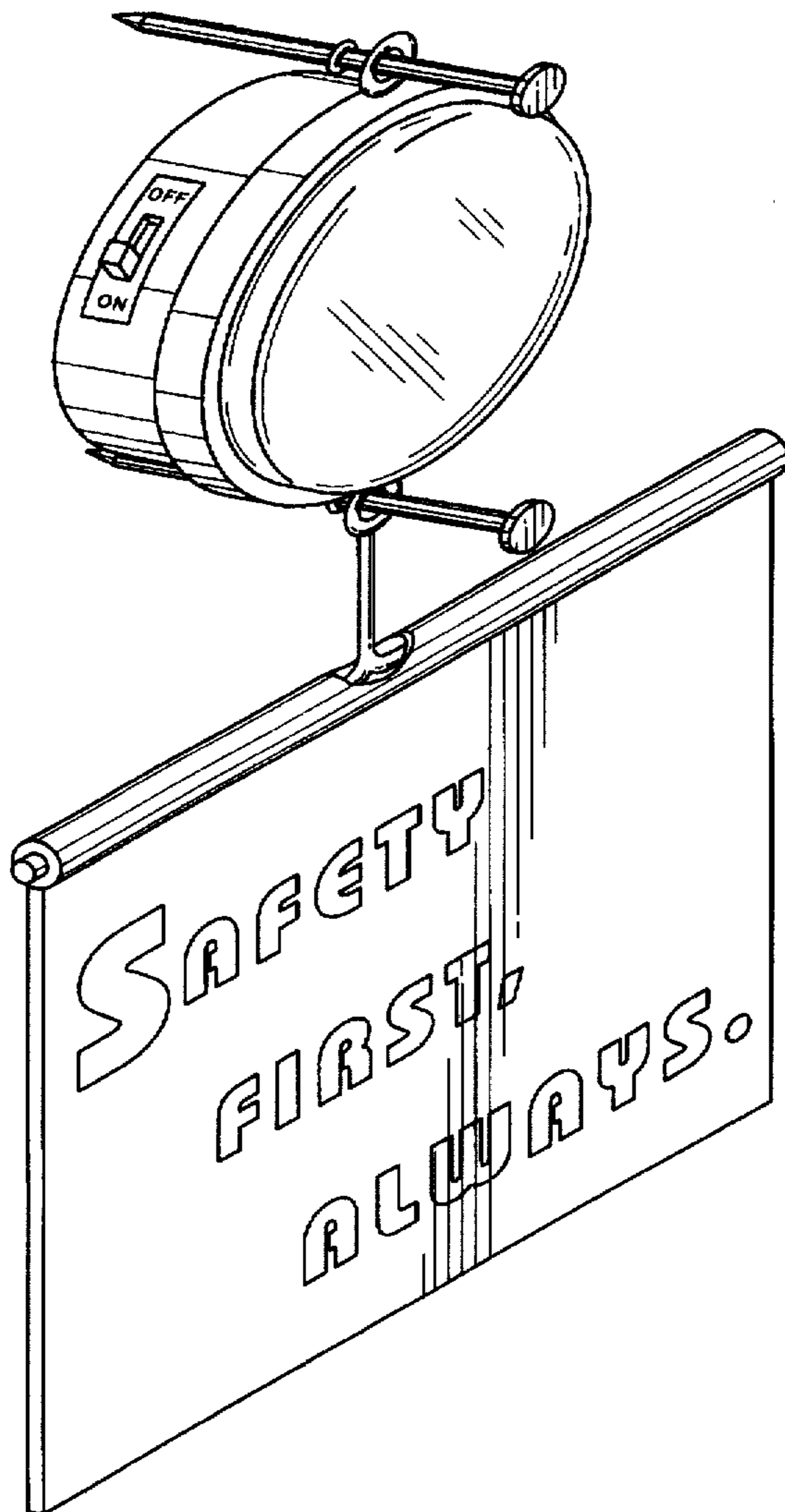
FIG. 1 is a perspective view of a combined warning light and safety sign for long loads showing my new design; FIG. 2 is a front view thereof; FIG. 3 is a rear view thereof; FIG. 4 is a right view thereof; FIG. 5 is a left view thereof; FIG. 6 is a top view thereof; and, FIG. 7 is a bottom view thereof.

[56] **References Cited**

**U.S. PATENT DOCUMENTS**

D. 69,410	2/1926	Woller	.....	D26/31
D. 69,463	2/1926	Schuh et al.	.....	D26/31
D. 336,932	6/1993	Davis et al.	.....	D20/42

**1 Claim, 5 Drawing Sheets**



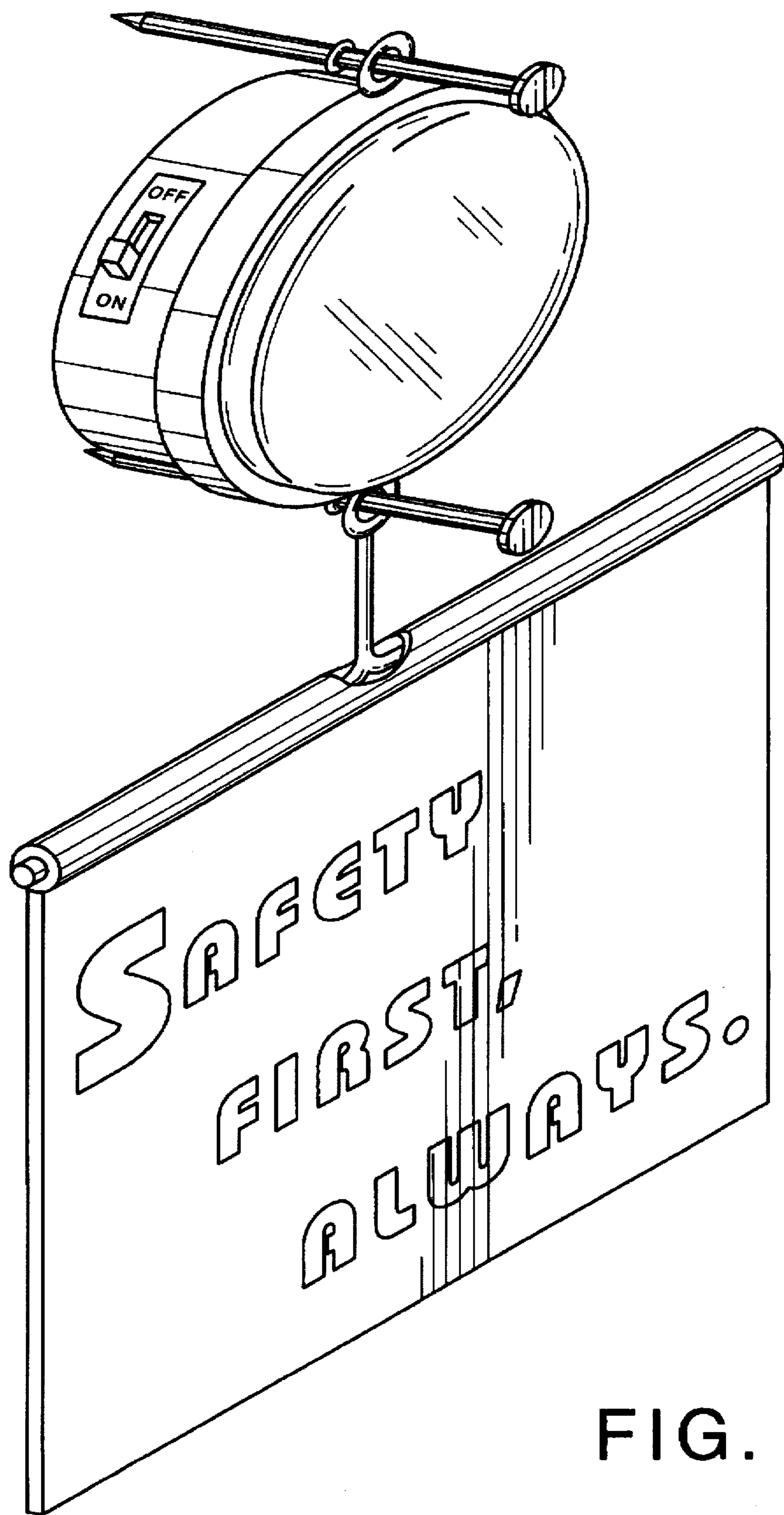


FIG. 1

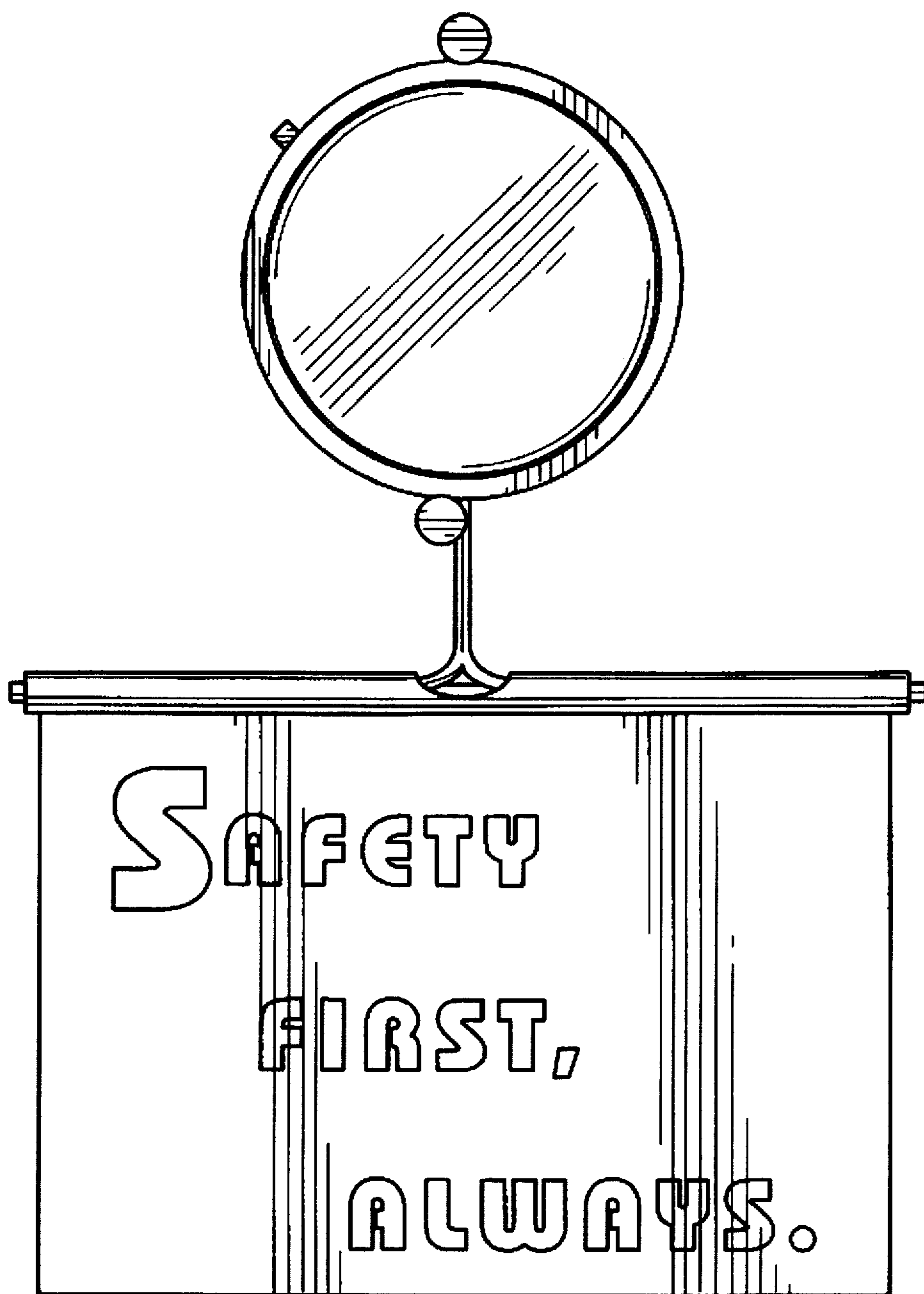


FIG. 2

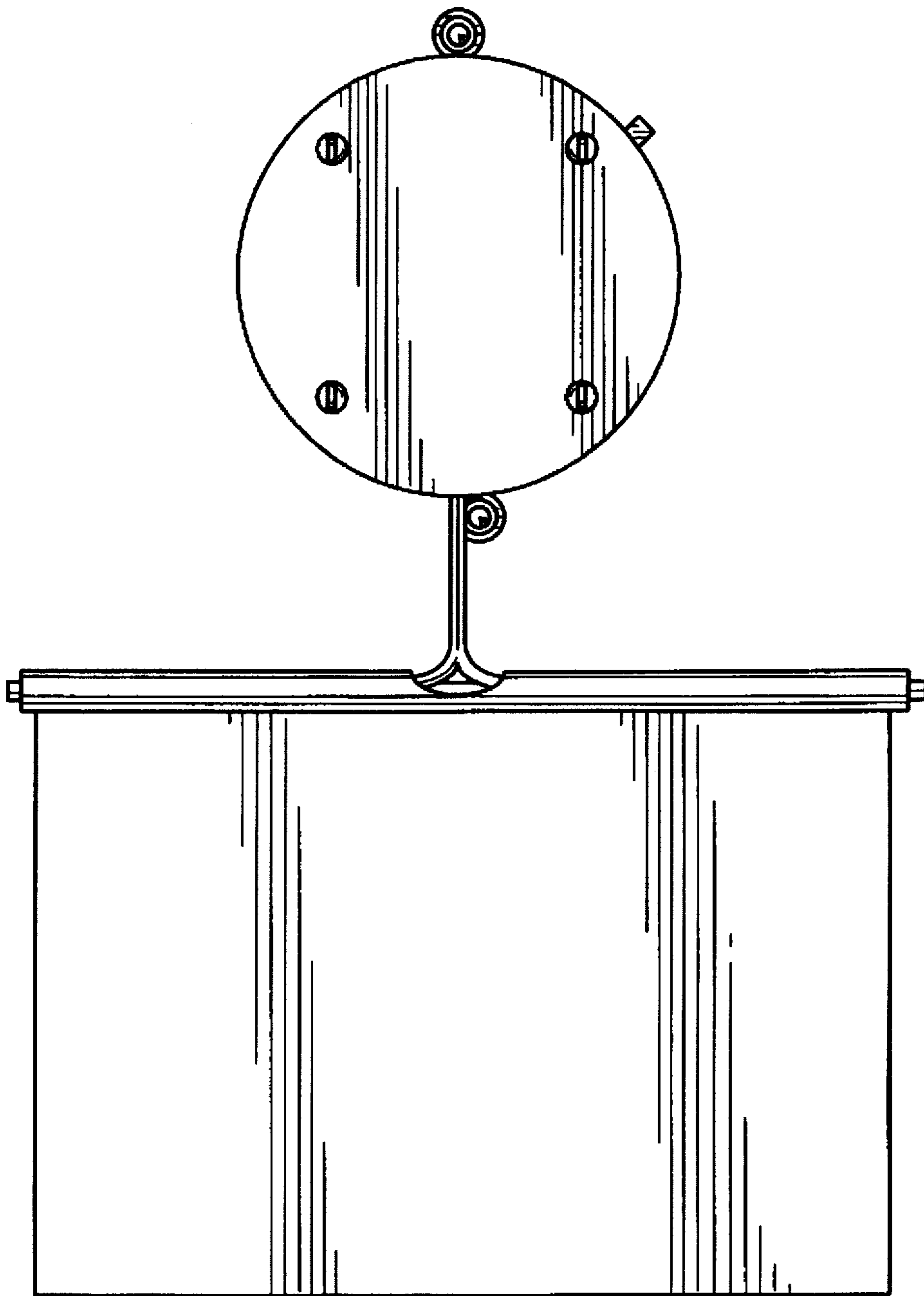


FIG. 3

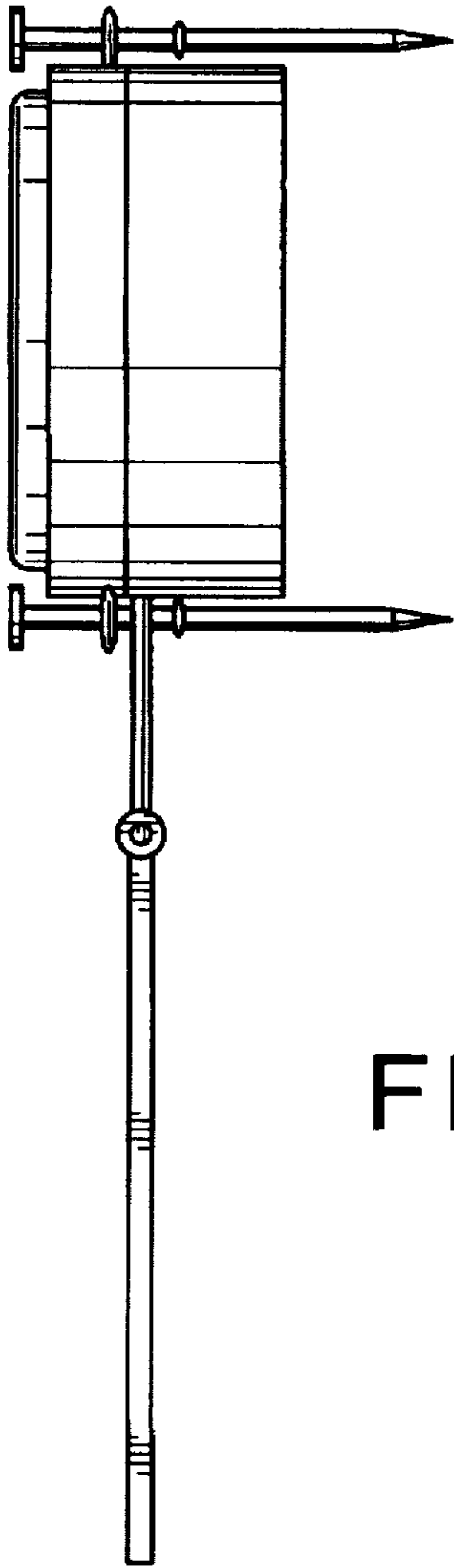


FIG. 4

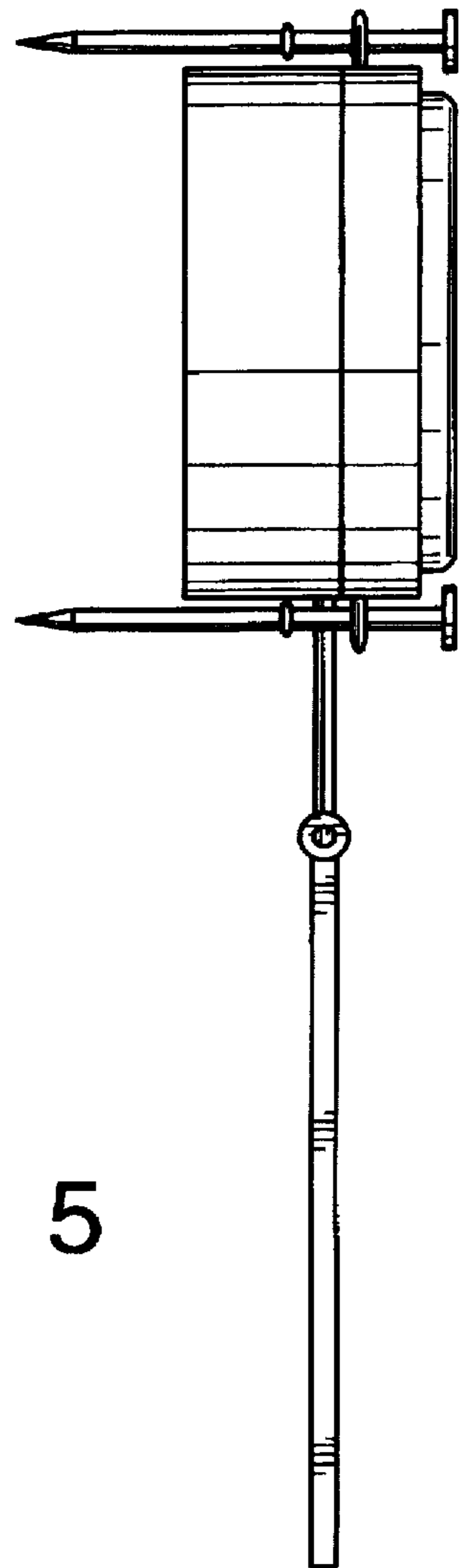


FIG. 5

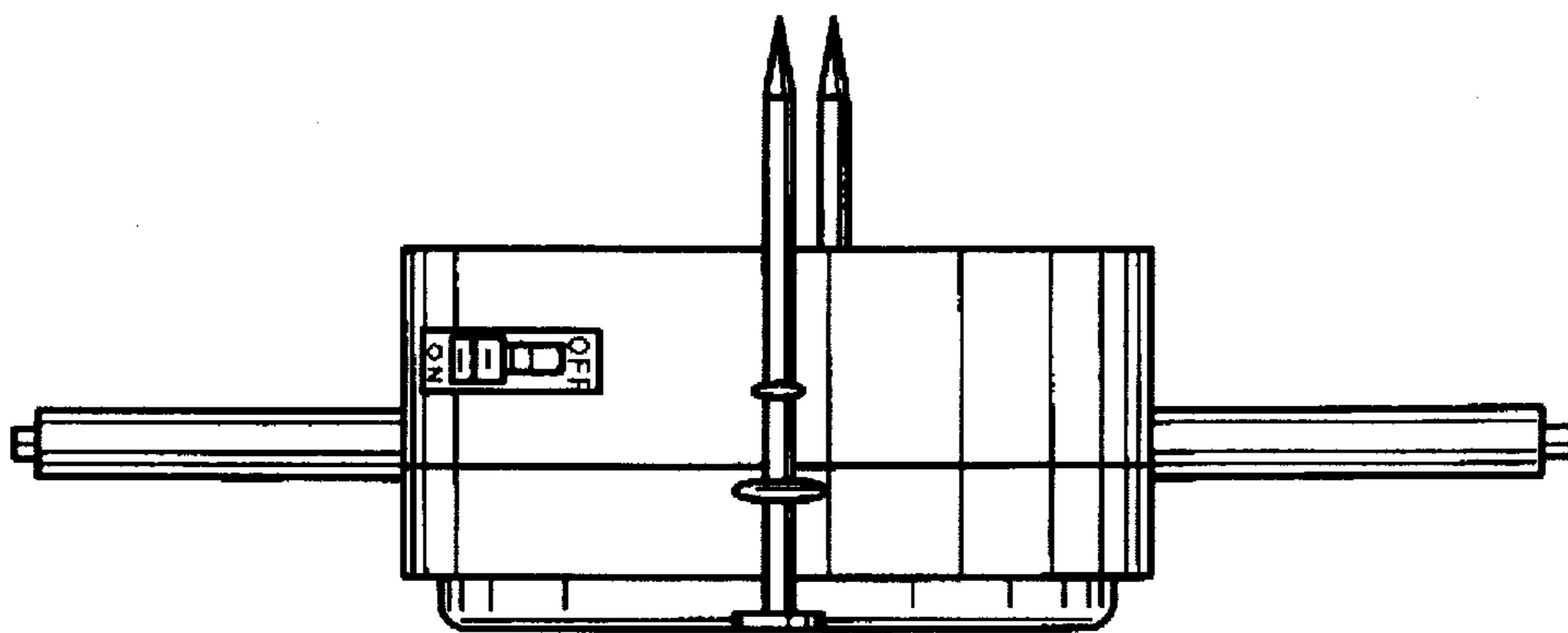


FIG. 6

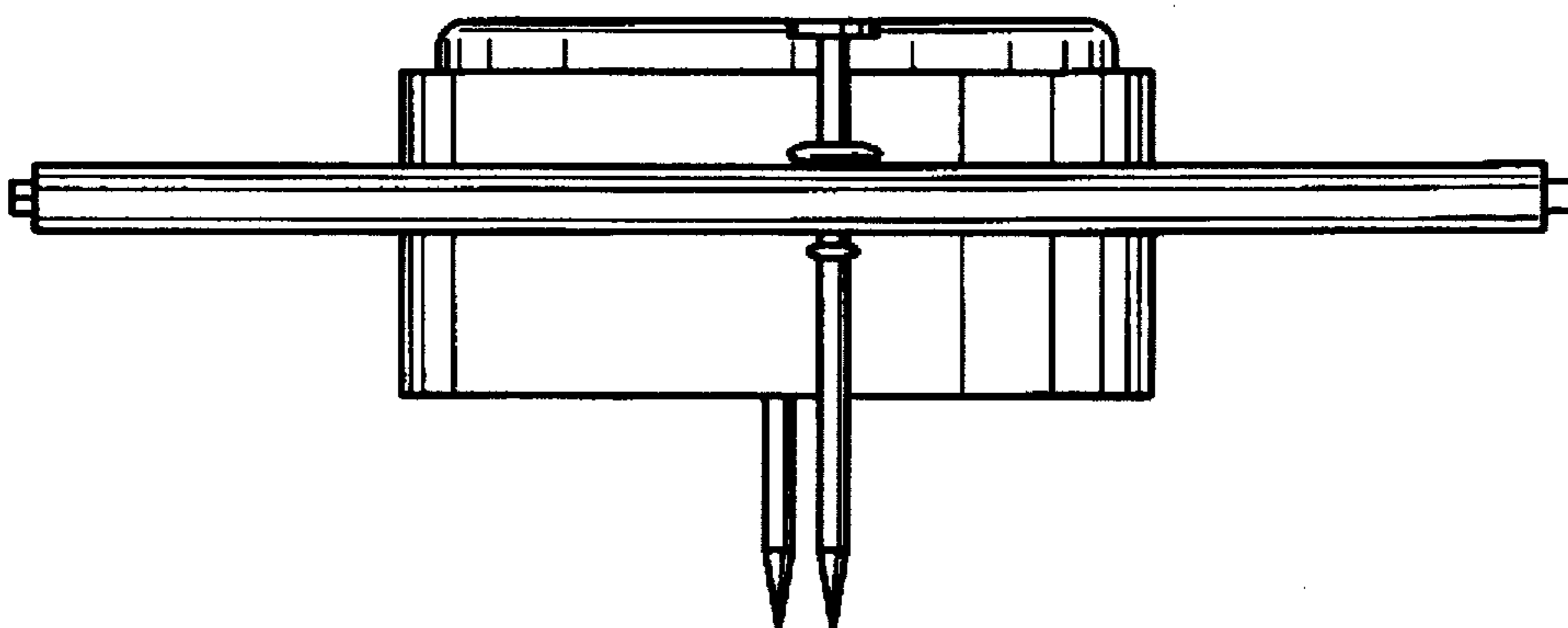


FIG. 7