



US00D385810S

United States Patent [19]

[11] **Patent Number: Des. 385,810**

Beckstrom et al.

[45] **Date of Patent: **Nov. 4, 1997**

[54] **SCALE**

[75] Inventors: **David W. Beckstrom**, Fairfield; **David W. Davis**, Winsted; **John F. Davison, Jr.**, New Britain; **Robert L. Marvin, Jr.**, Farmington; **Paul W. Porter**, Southbury, all of Conn.

[73] Assignee: **Pitney Bowes Inc.**, Stamford, Conn.

[**] Term: **14 Years**

[21] Appl. No.: **62,357**

[22] Filed: **Nov. 13, 1996**

[51] LOC (6) Cl. **10-04**

[52] U.S. Cl. **D10/91**

[58] Field of Search **D10/91; 177/29, 177/30, 210 R, 229, 238-241, DIG. 3**

[56] **References Cited**

U.S. PATENT DOCUMENTS

D. 354,691 1/1995 Goldberg et al. D10/91
5,521,334 5/1996 Freeman 177/154

Primary Examiner—Antoine Duval Davis
Attorney, Agent, or Firm—Angelo N. Chaclas; Steven J. Shapiro; Melvin J. Scolnick

[57] **CLAIM**

The ornamental design for a scale, as shown and described.

DESCRIPTION

FIG. 1 is a top, front and right side perspective view of a

scale in accordance with a first embodiment of the new design;

FIG. 2 is a top plan view in accordance with the first embodiment thereof;

FIG. 3 is a right side view in accordance with the first embodiment thereof and the left side view is a mirror image of the right side view except for the arrangement of which keys are visible in the left side view;

FIG. 4 is a front elevational view in accordance with the first embodiment view thereof;

FIG. 5 is a rear elevational view in accordance with the first embodiment thereof, and

FIG. 6 is a top, front and right side perspective view of a scale in accordance with a second embodiment of the new design;

FIG. 7 is a top plan view in accordance with the second embodiment thereof;

FIG. 8 is a right side view in accordance with the second embodiment thereof and the left side view is a mirror image of the right side view except for the arrangement of which keys are visible in the left side view;

FIG. 9 is a front elevational view in accordance with the second embodiment thereof; and,

FIG. 10 is a rear elevational view in accordance with the second embodiment thereof.

1 Claim, 10 Drawing Sheets

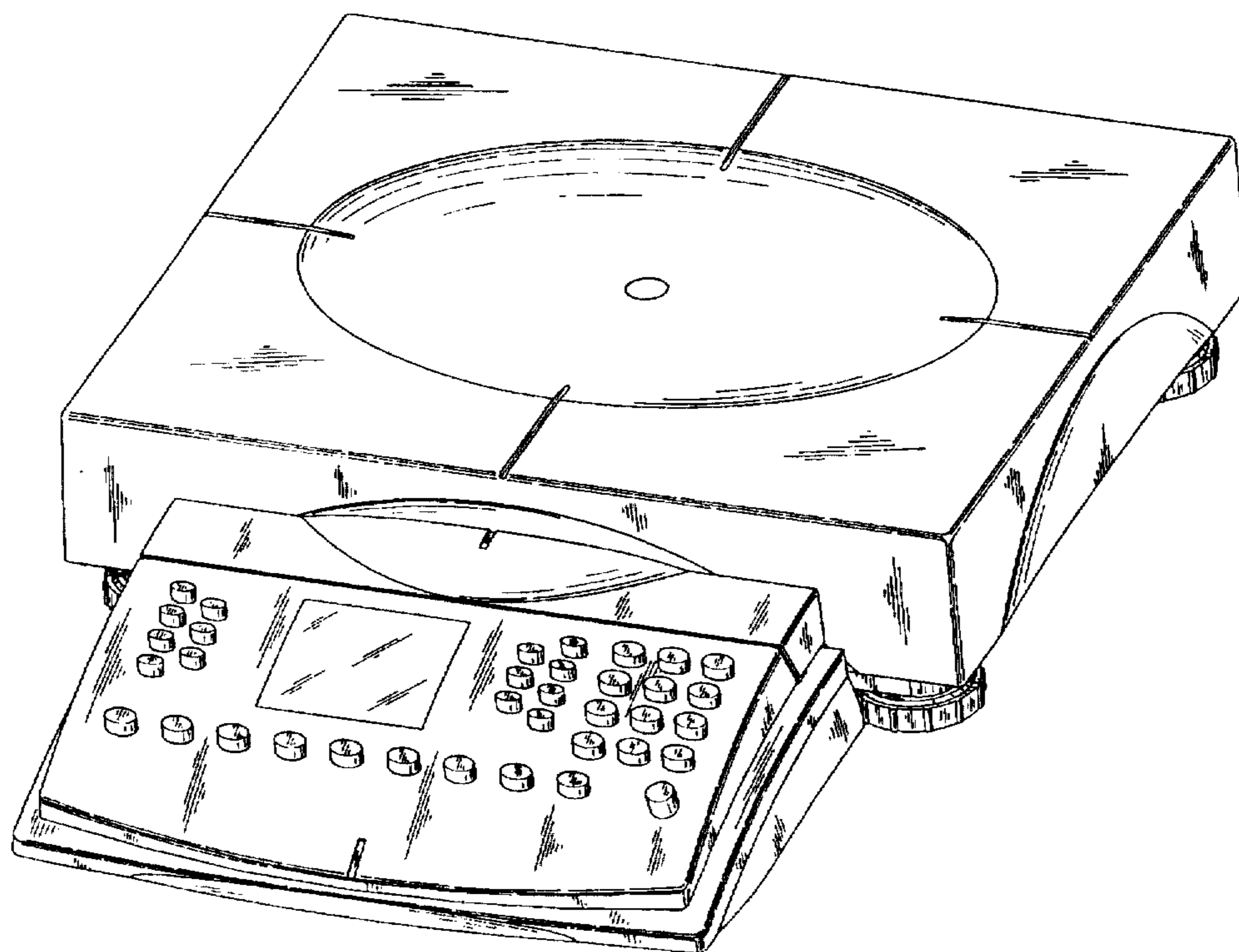


FIG. 1

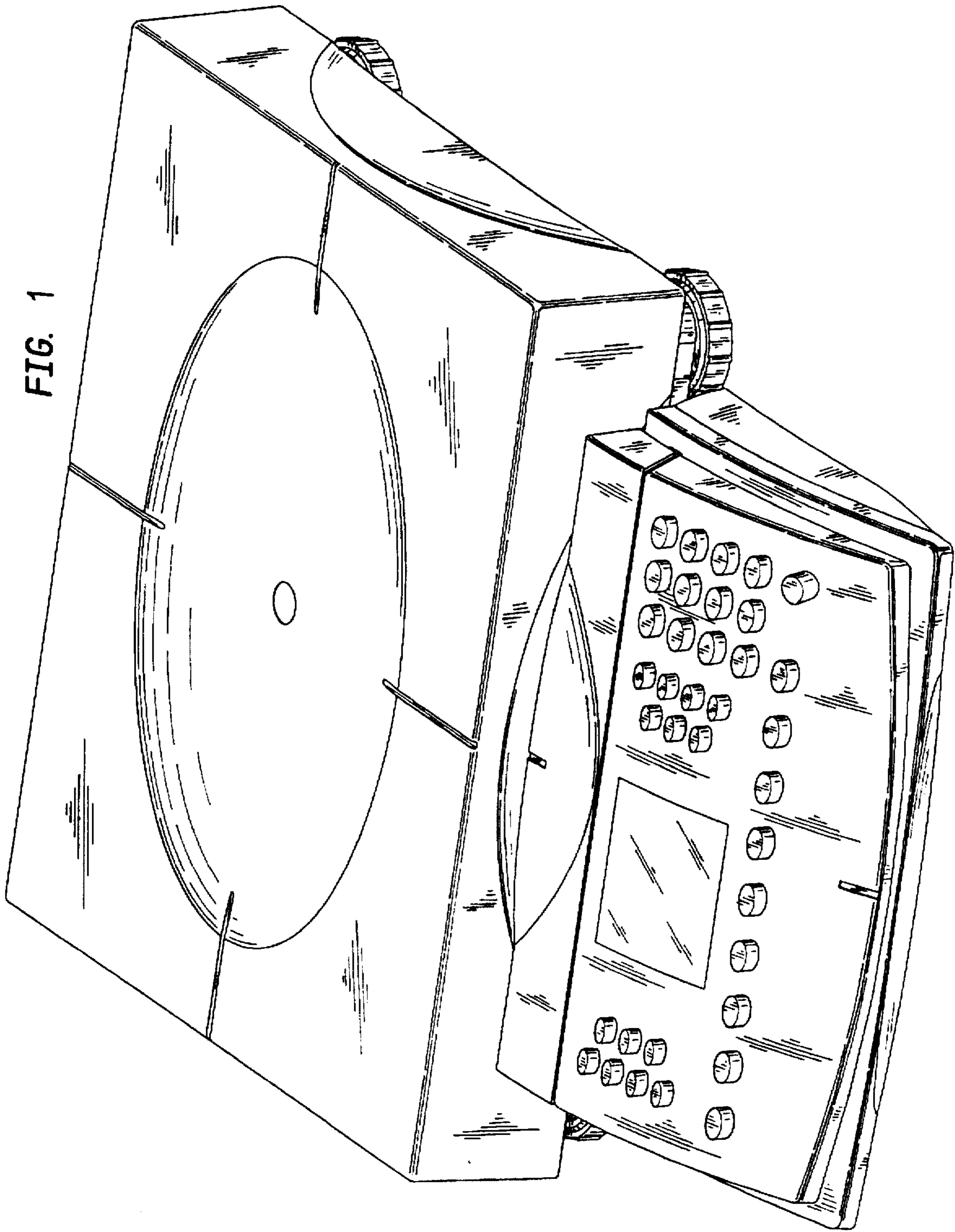


FIG. 2

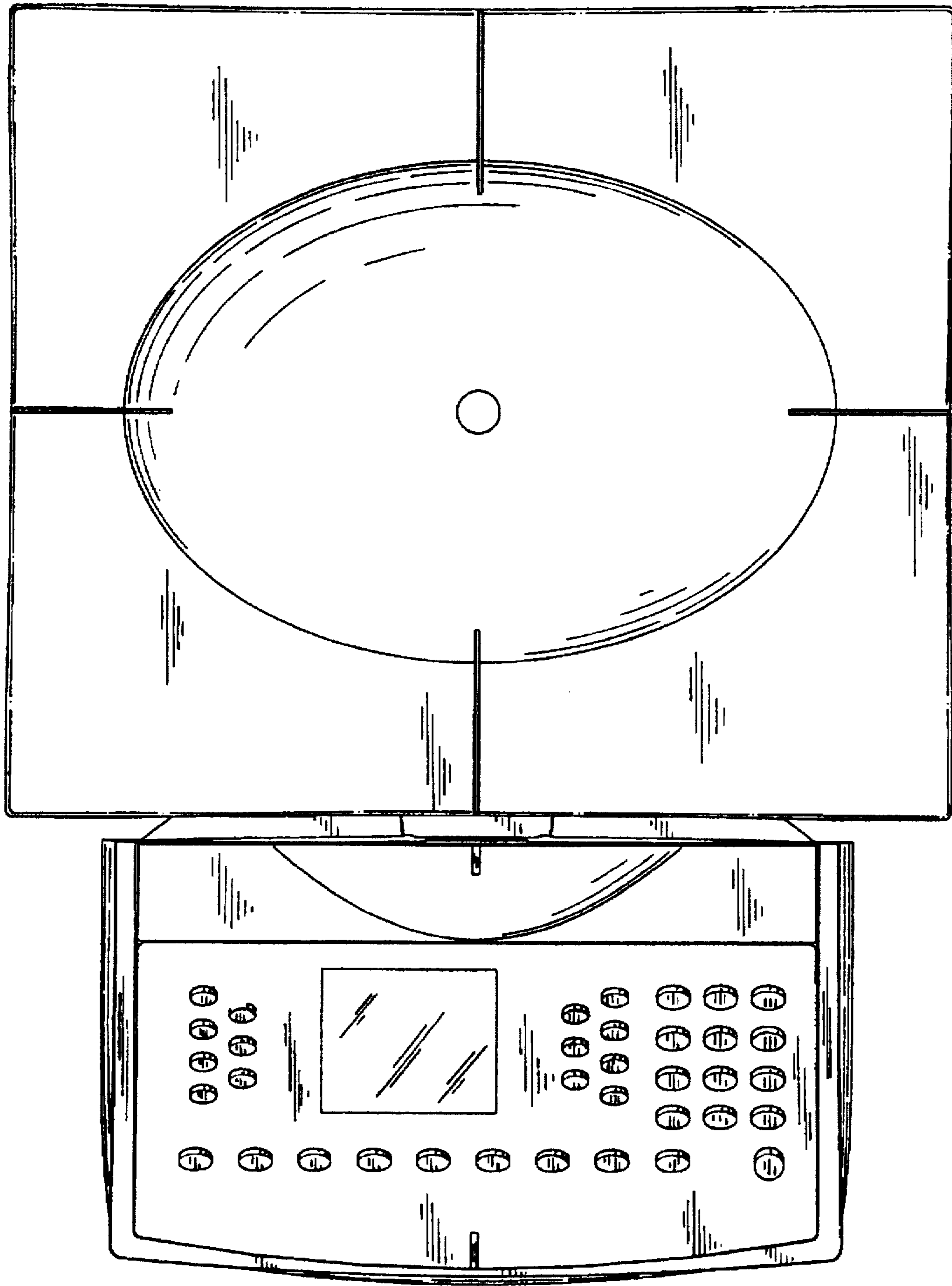


FIG. 3

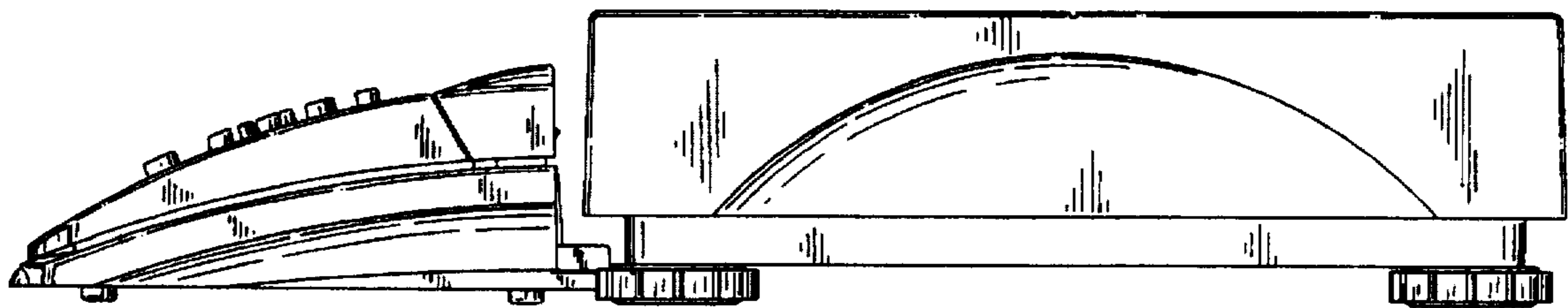


FIG. 4

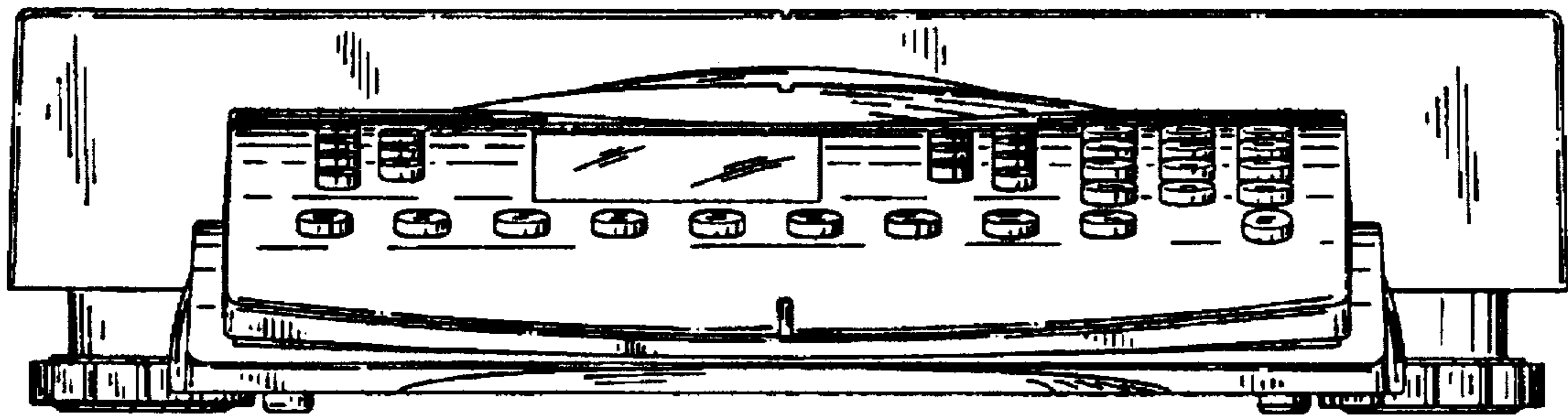


FIG. 5

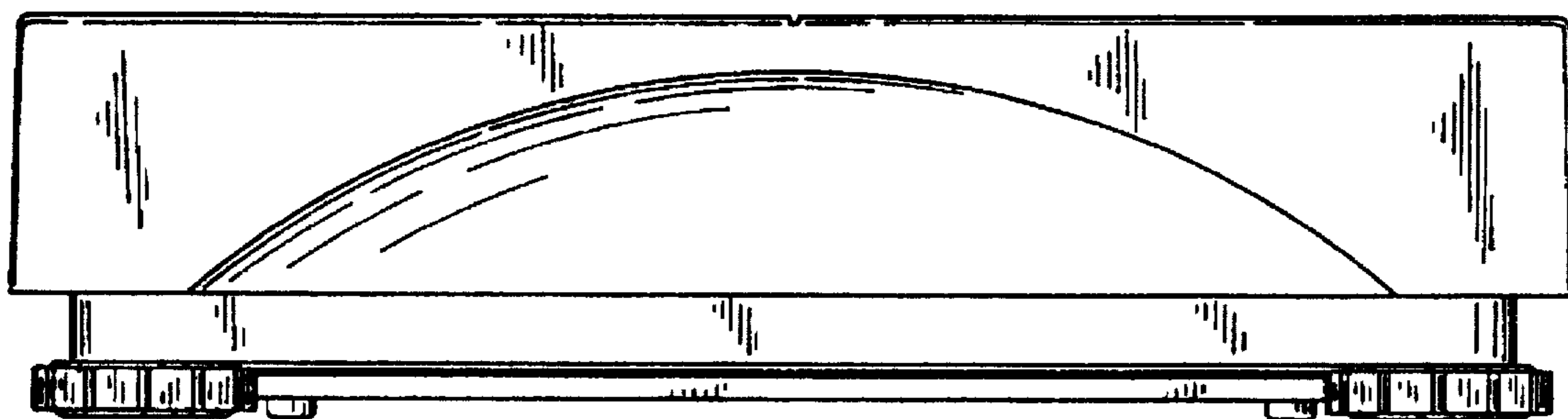


FIG. 6

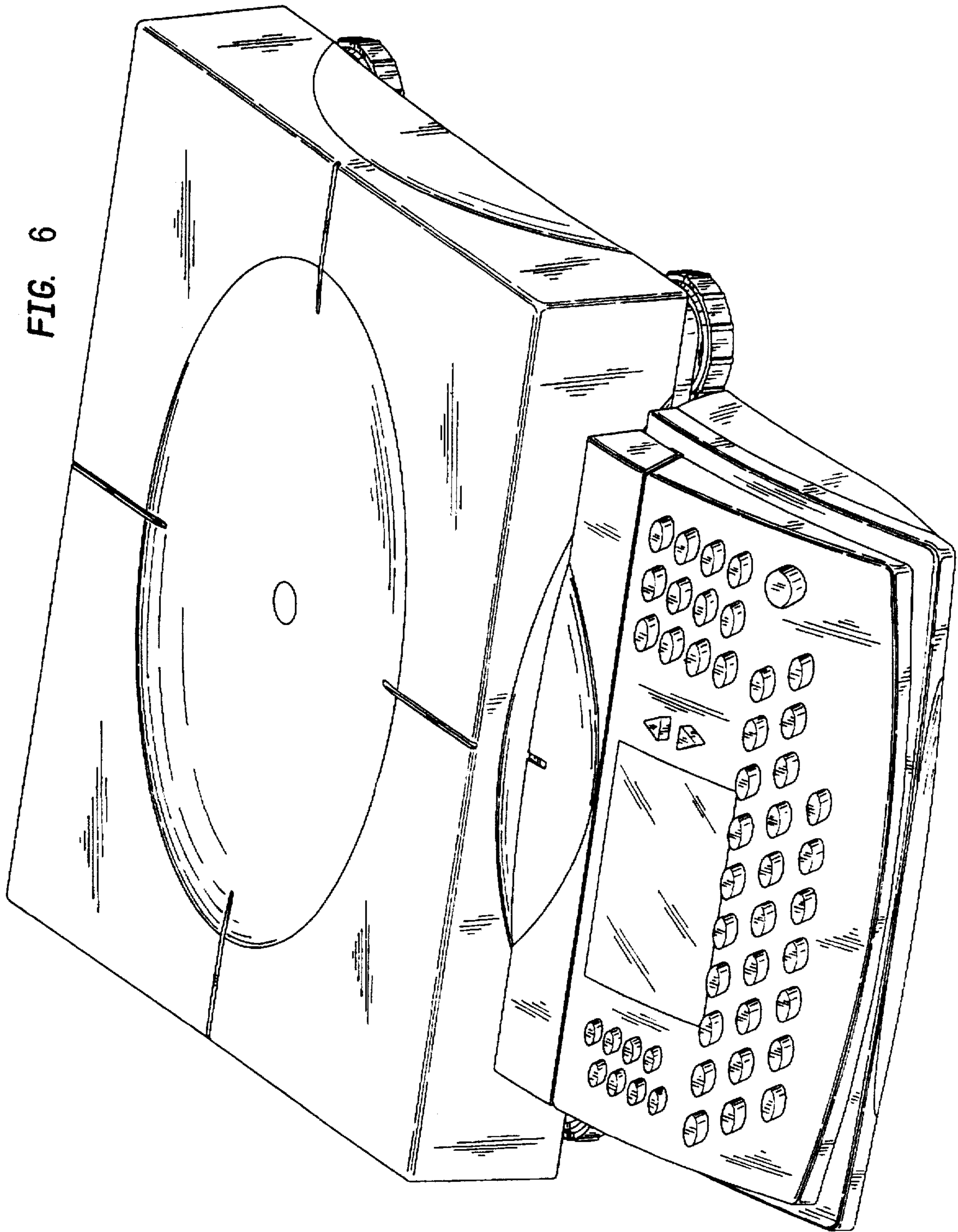


FIG. 7

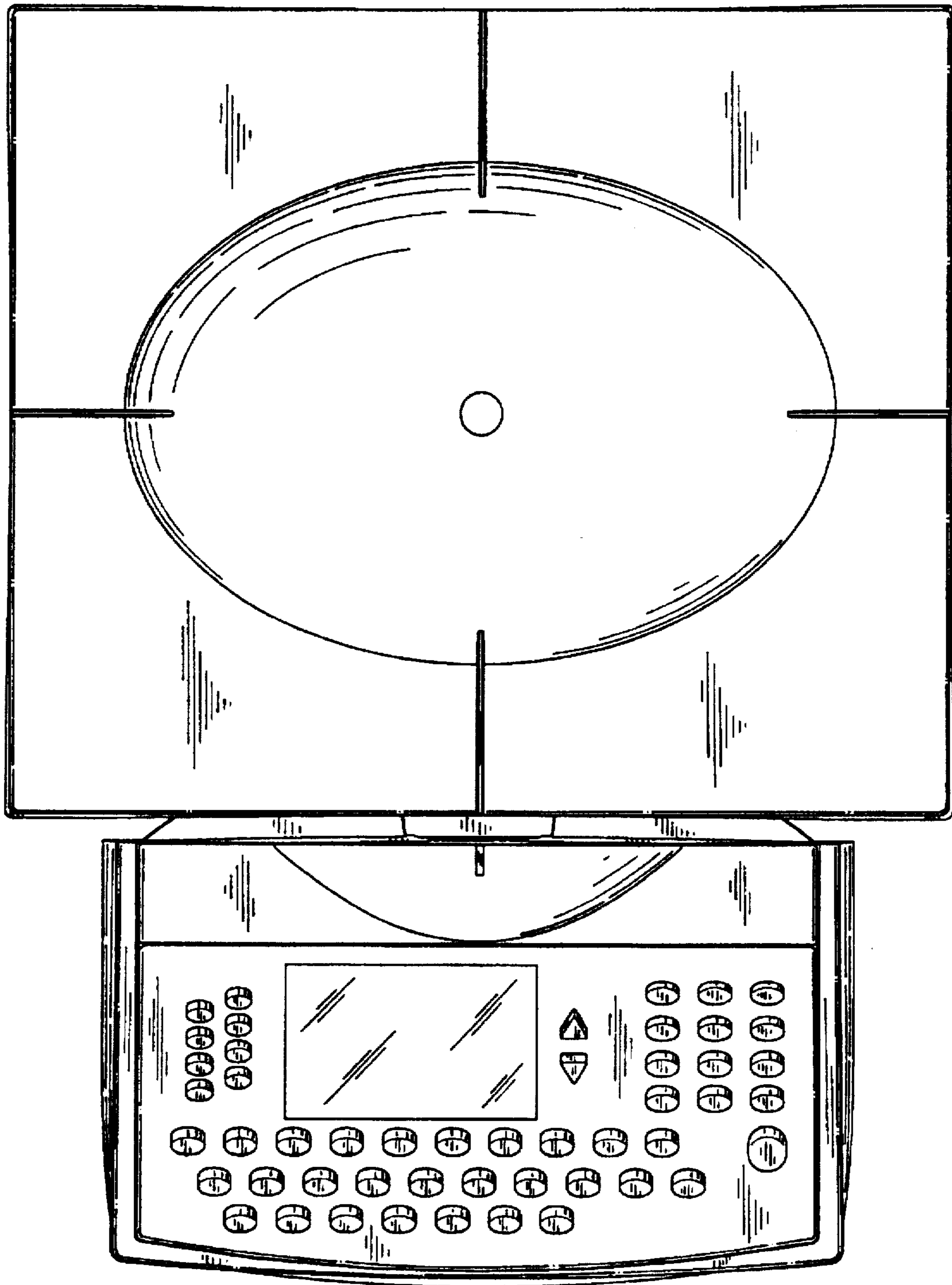


FIG. 8

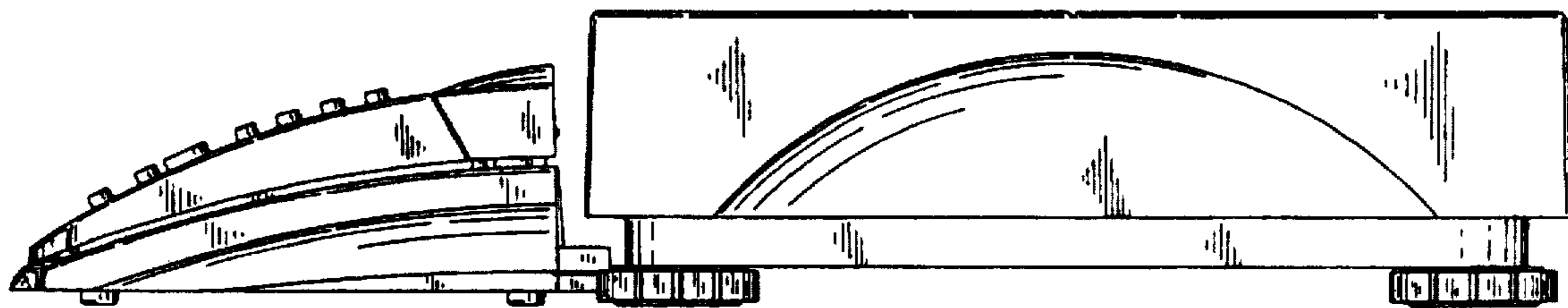


FIG. 9

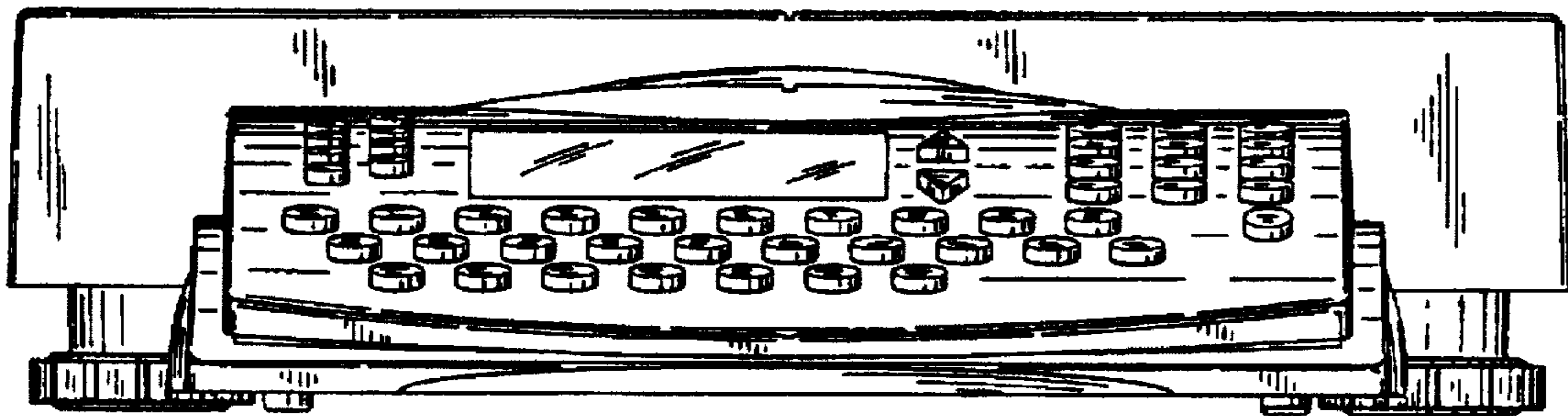


FIG. 10

