



US00D385807S

**United States Patent** [19]  
**Gruetzmacher**

[11] **Patent Number:** **Des. 385,807**  
[45] **Date of Patent:** **\*\*Nov. 4, 1997**

[54] **POCKET LEVEL**

[75] **Inventor:** **Richard J. Gruetzmacher**, Colgate, Wis.

[73] **Assignee:** **Johnson Level & Tool Mfg. Co. Inc.**, Mequon, Wis.

[\*\*] **Term:** **14 Years**

[21] **Appl. No.:** **52,360**

[22] **Filed:** **Mar. 28, 1996**

[51] **LOC (6) Cl.** ..... **10-04**

[52] **U.S. Cl.** ..... **D10/69**

[58] **Field of Search** ..... **D10/69; D19/56; 33/365, 369, 370, 371, 372, 373, 377-390**

[56] **References Cited**

**U.S. PATENT DOCUMENTS**

|            |         |          |       |        |
|------------|---------|----------|-------|--------|
| D. 168,400 | 12/1952 | Harris   | ..... | D10/69 |
| D. 228,948 | 10/1973 | de Jong  | ..... | D10/69 |
| 2,215,084  | 9/1940  | Neal     | ..... | 33/370 |
| 2,251,640  | 8/1941  | Skrainka | ..... | 33/372 |
| 5,127,167  | 7/1992  | Kennedy  | ..... | D10/69 |

*Primary Examiner*—Antoine Duval Davis  
*Attorney, Agent, or Firm*—Andrus, Scales, Starke & Sawall

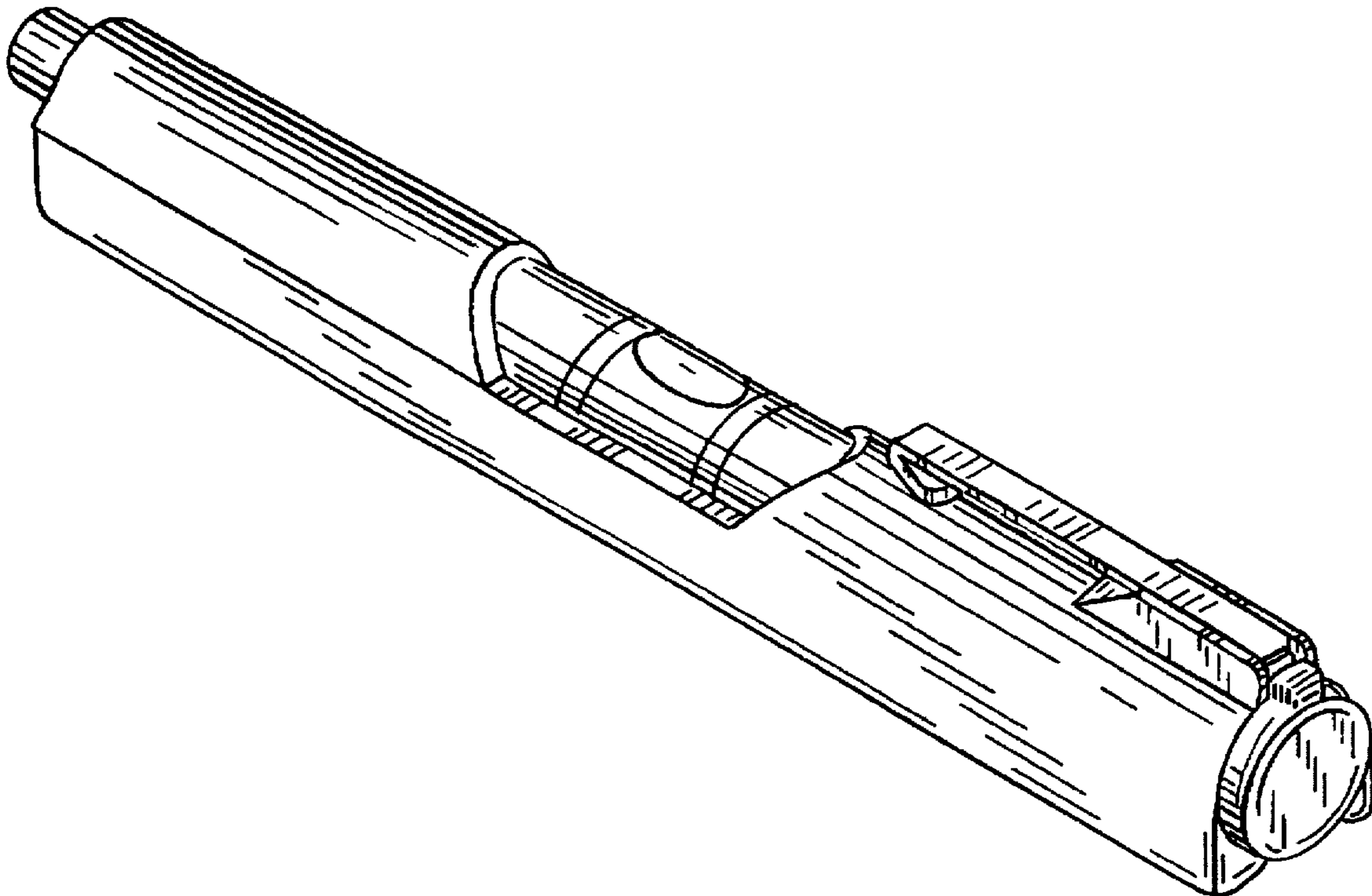
[57] **CLAIM**

The ornamental design for a pocket level, as shown and described.

**DESCRIPTION**

FIG. 1 is an isometric view of a pocket level incorporating my new design;  
FIG. 2 is a right side elevation view thereof, the left side elevation view being a mirror image;  
FIG. 3 is a rear end elevation view thereof;  
FIG. 4 is a front end elevation view thereof;  
FIG. 5 is a top plan view thereof;  
FIG. 6 is a bottom plan view thereof;  
FIG. 7 is a right side elevation view of an alternative embodiment of a pocket level incorporating my new design; and,  
FIG. 8 is a front end elevation view thereof.  
All views not shown in the second embodiment being identical to those shown in FIGS. 1, 3, 5 and 6.

**1 Claim, 2 Drawing Sheets**



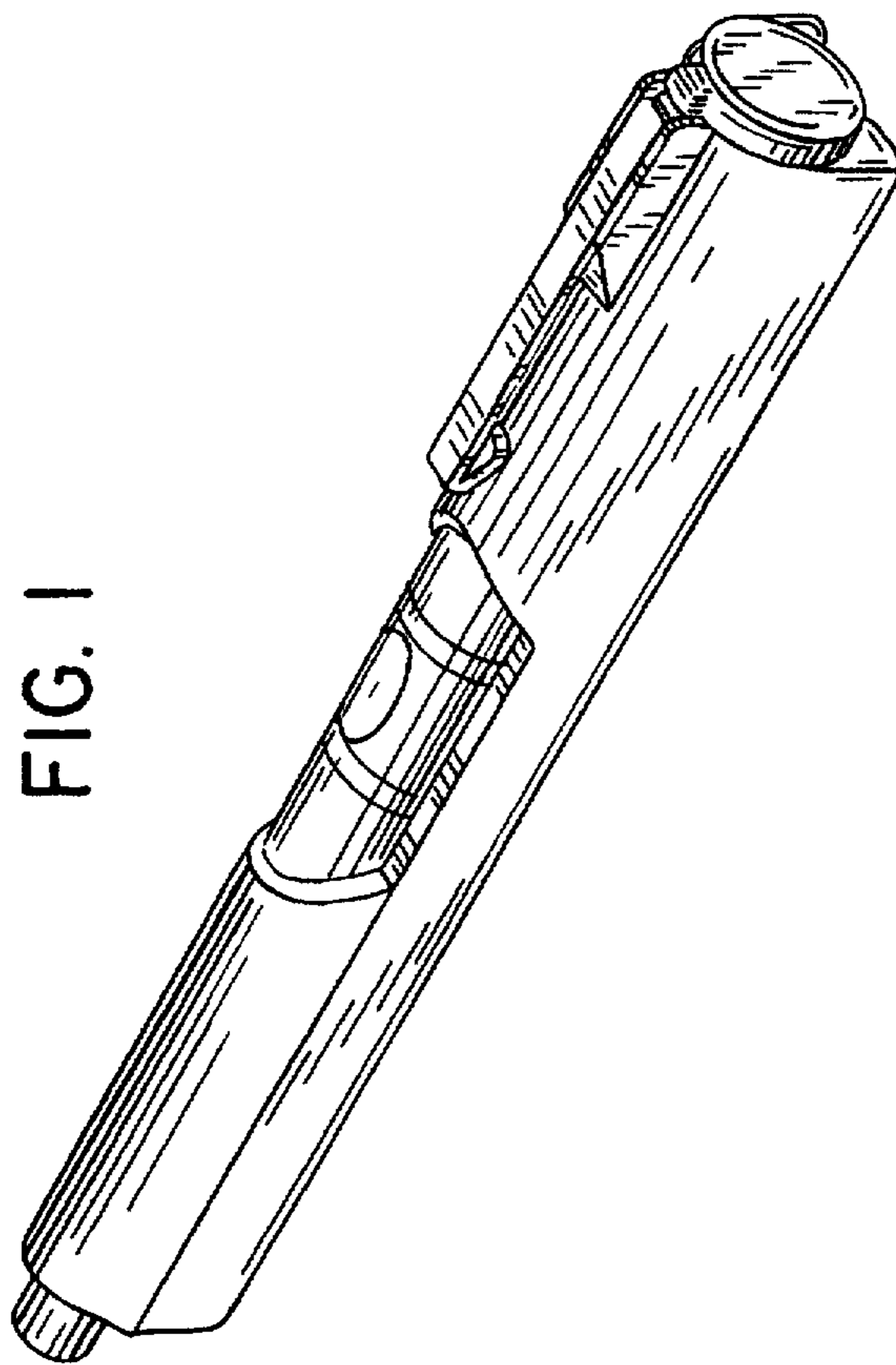


FIG. 1

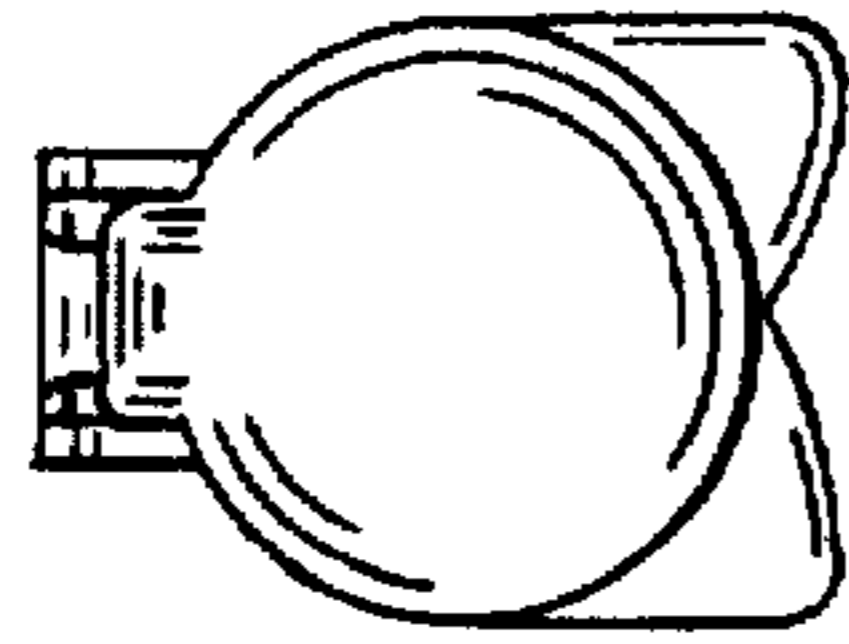


FIG. 3

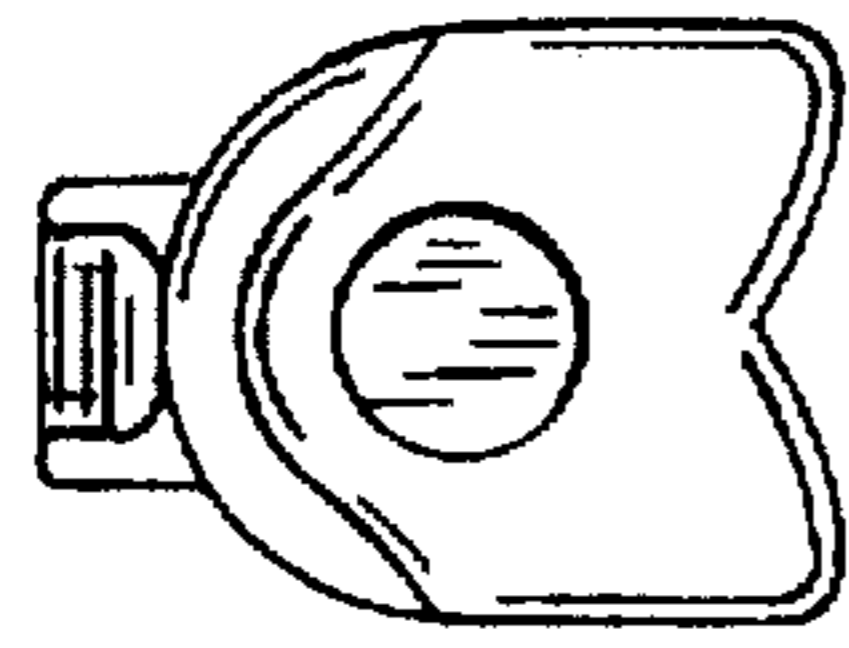


FIG. 4

FIG. 2

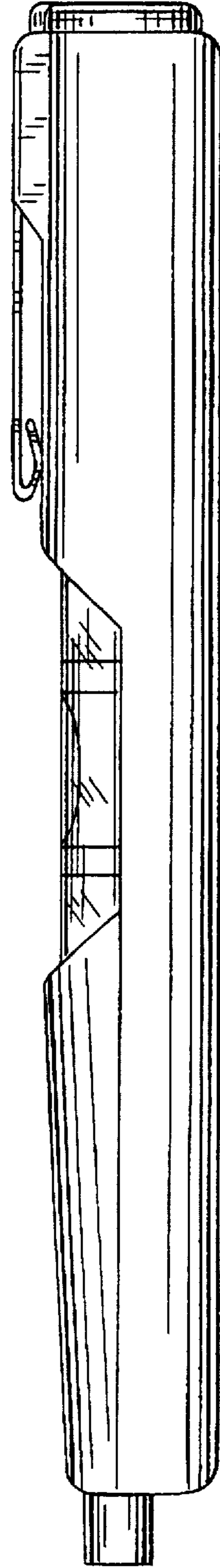


FIG. 5

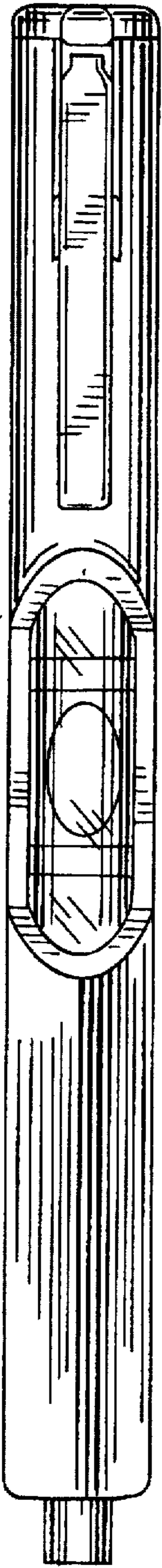


FIG. 6

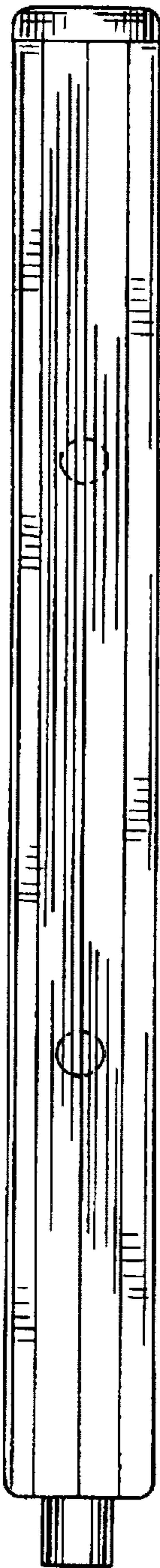


FIG. 8

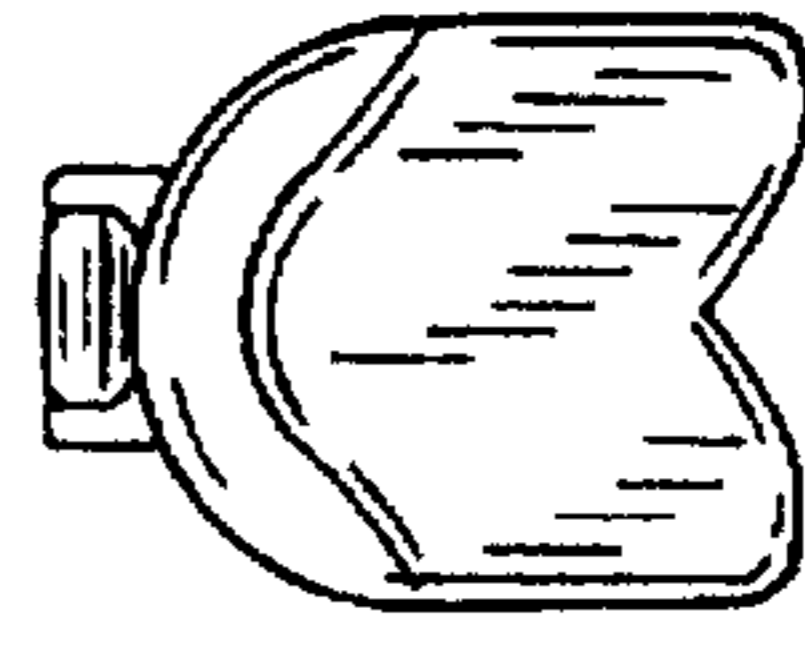
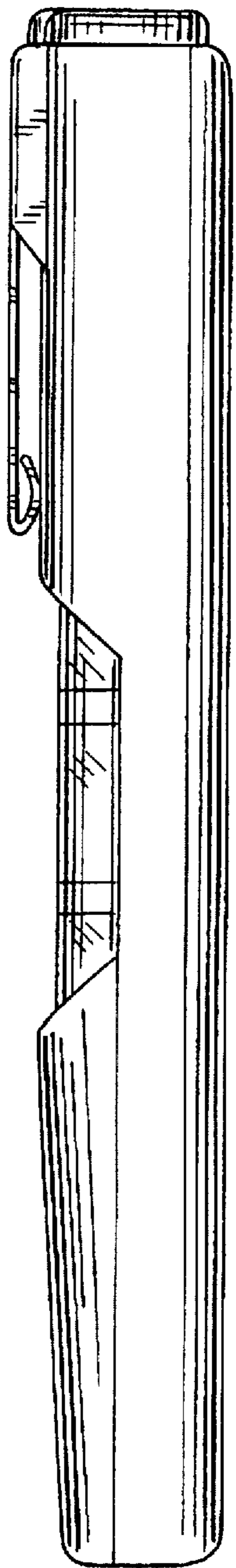


FIG. 7



UNITED STATES PATENT AND TRADEMARK OFFICE  
**CERTIFICATE OF CORRECTION**

PATENT NO. : D385,807  
DATED : November 4, 1997  
INVENTOR(S) : RICHARD J. GRUETZMACHER

It is certified that error appears in the above-identified patent and that said Letters Patent is hereby corrected as shown below:

On The Title page,

In the statement following the figure descriptions, after "6" insert -- , with the exception of the magnet which extends from the front end --.

Signed and Sealed this  
Twenty-fourth Day of February, 1998

*Attest:*



BRUCE LEHMAN

*Attesting Officer*

*Commissioner of Patents and Trademarks*