

US00D385801S

United States Patent [19]
Chan

[11] **Patent Number:** **Des. 385,801**
[45] **Date of Patent:** ****Nov. 4, 1997**

[54] **CLOCK**

[75] **Inventor:** **Raymond Chan, Hong Kong, Hong Kong**

[73] **Assignee:** **IDT International Limited, Hamilton, Bermuda**

[**] **Term:** **14 Years**

[21] **Appl. No.:** **51,791**

[22] **Filed:** **Mar. 18, 1996**

[30] **Foreign Application Priority Data**
 Sep. 18, 1995 [GB] United Kingdom 2050472

[51] **LOC (6) Cl.** **10-01**

[52] **U.S. Cl.** **D10/18; D10/15; D10/1**

[58] **Field of Search** **D10/1-40, 122-132; 368/276-277, 285, 316-317, 234-242, 80-82**

[56] **References Cited**
U.S. PATENT DOCUMENTS
 D. 301,839 6/1989 Houlihan D10/15

D. 310,919 10/1990 Sakai D6/311
 D. 323,463 1/1992 Tak D10/18
 4,390,289 6/1983 Houlihan 368/316 X
 4,920,525 4/1990 Meister 368/276 X

Primary Examiner—Nelson C. Holtje
Attorney, Agent, or Firm—Leydig, Voit & Mayer

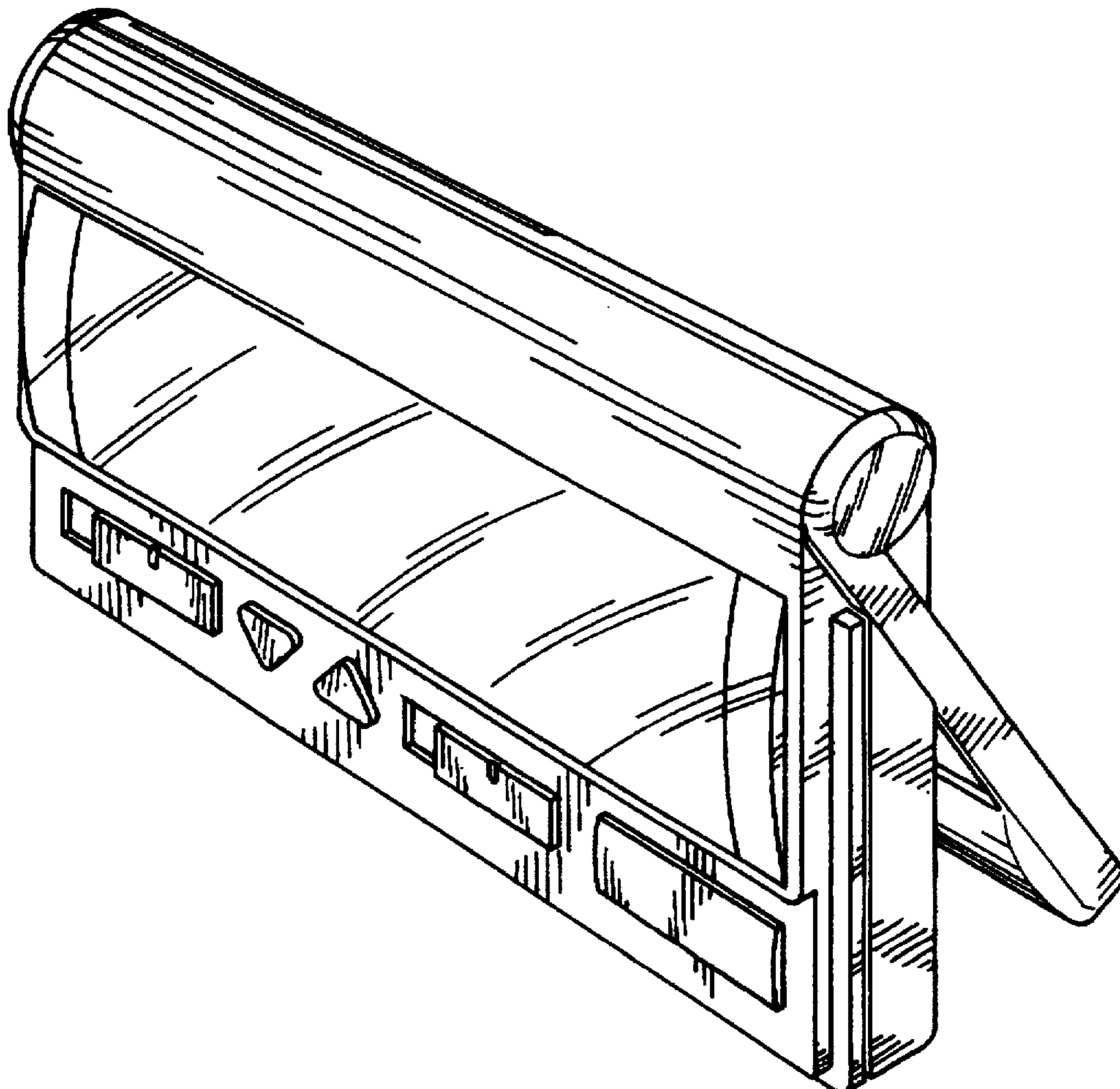
[57] **CLAIM**

The ornamental design for a clock, as shown and described.

DESCRIPTION

FIG. 1 is a top, front and right side perspective view of a clock showing my new design;
 FIG. 2 is a front elevational view thereof;
 FIG. 3 is a rear elevational view thereof;
 FIG. 4 is a top plan view thereof;
 FIG. 5 is a bottom plan view thereof;
 FIG. 6 is a right side elevational view thereof;
 FIG. 7 is a left side elevational view thereof;
 FIG. 8 is a top, front and right side perspective view thereof, having a lid opened flat; and,
 FIG. 9 is a top, front and right side perspective view thereof, having a lid opened to the rear.

1 Claim, 6 Drawing Sheets



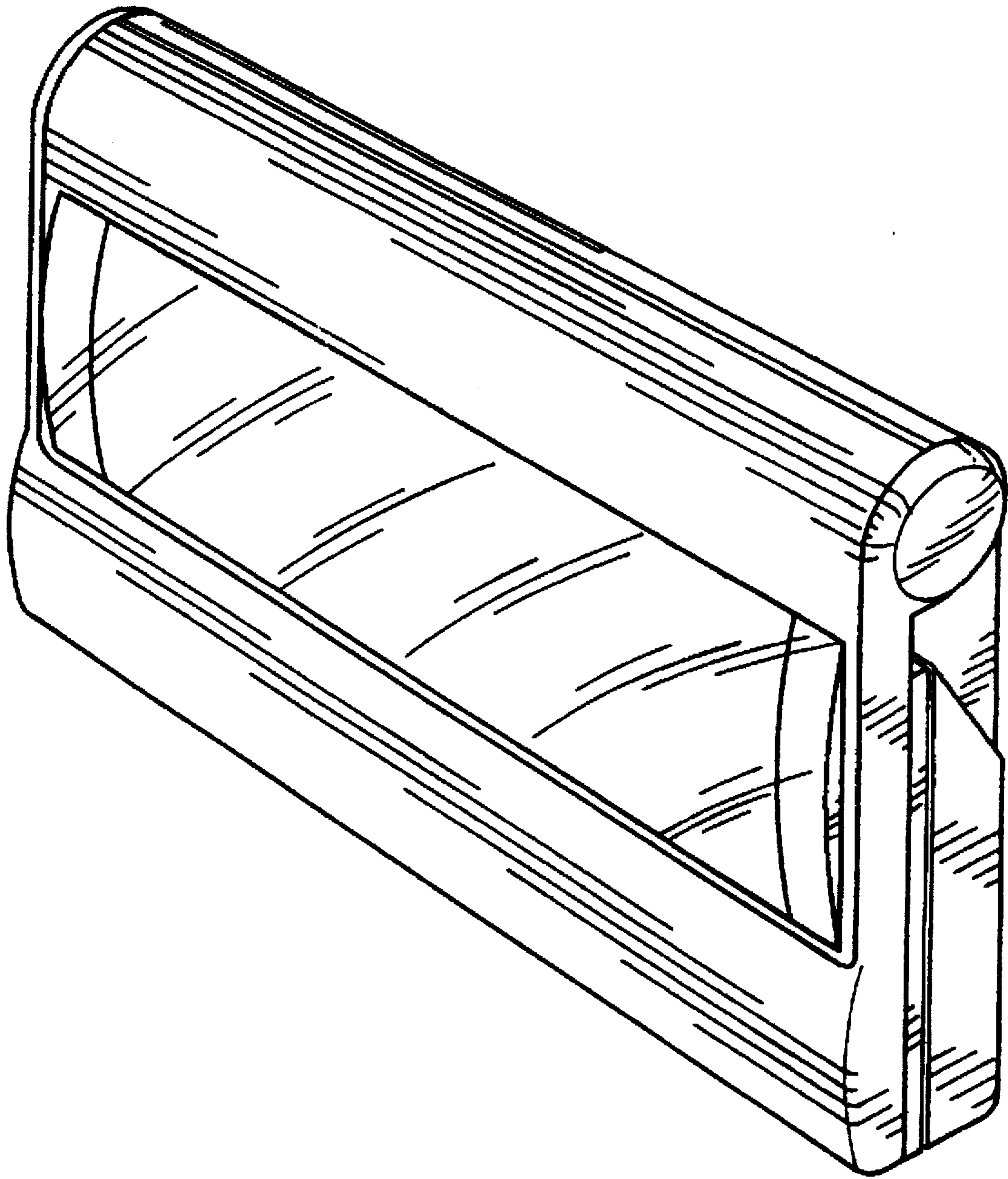


FIG. 1

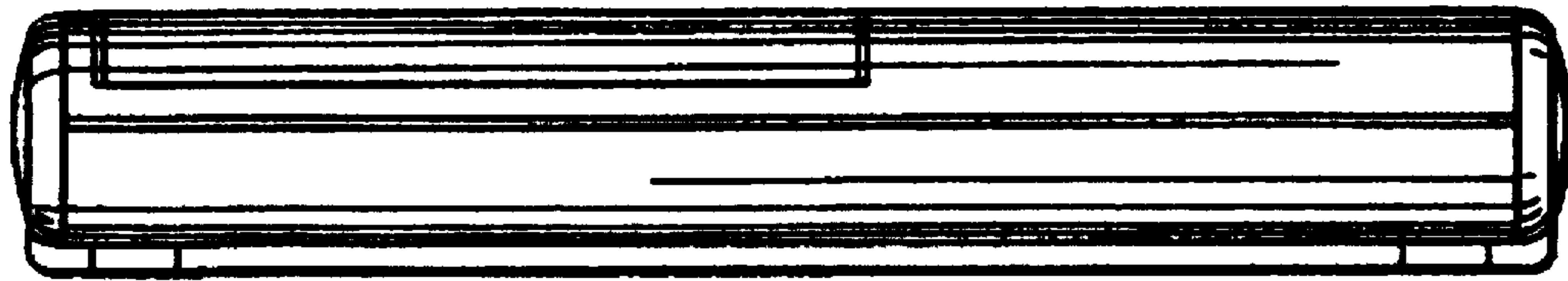


FIG. 4

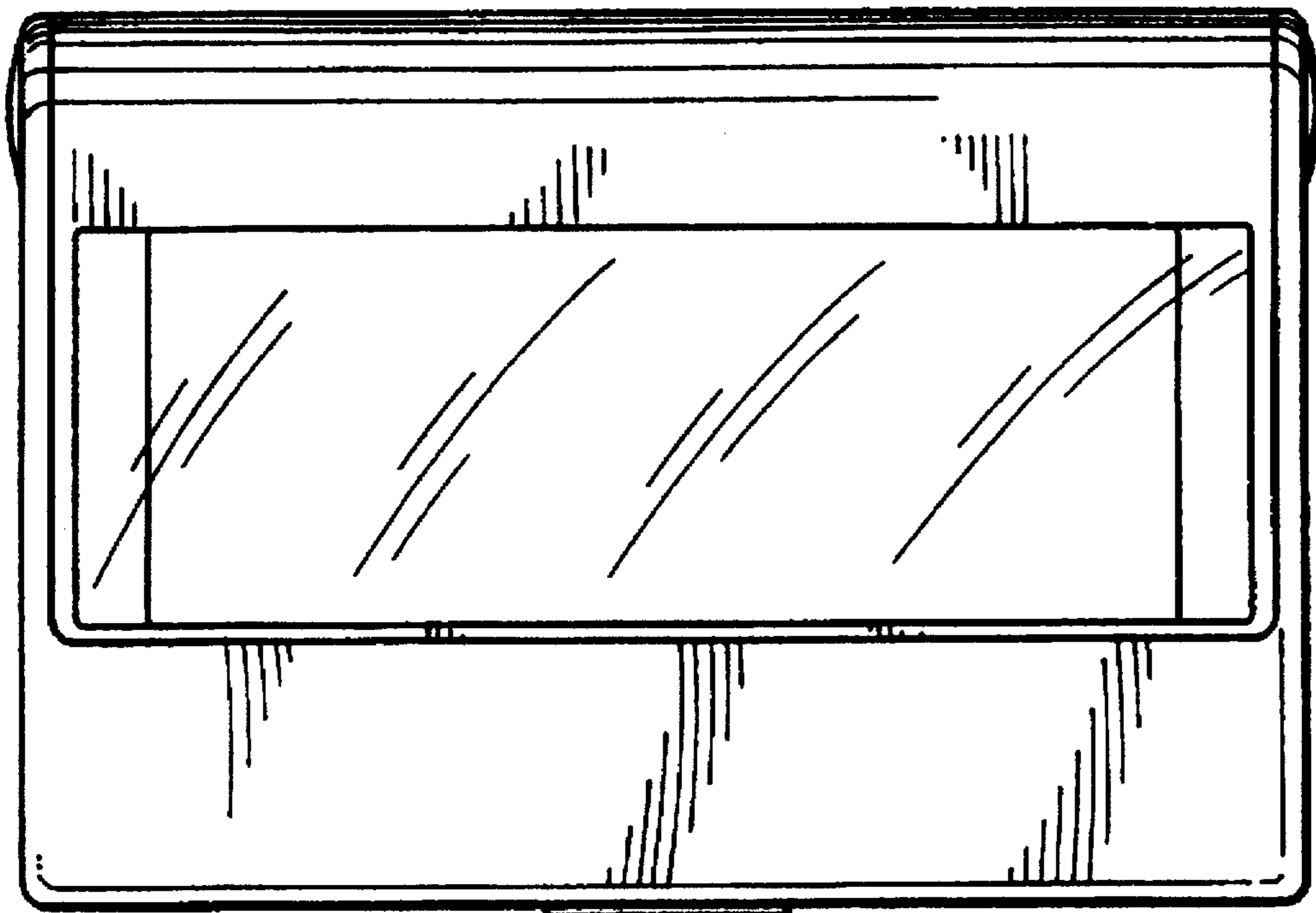


FIG. 2

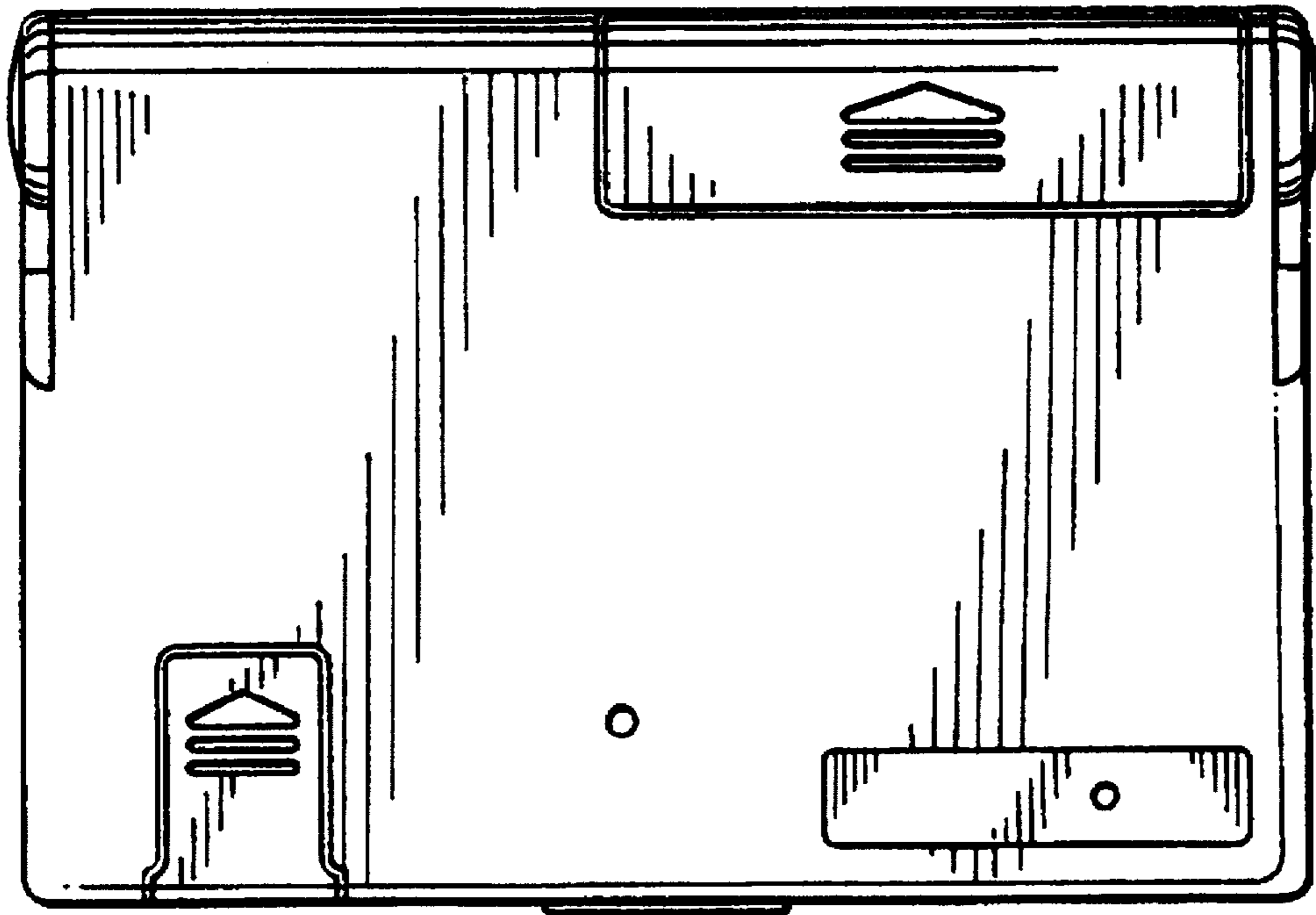


FIG. 3

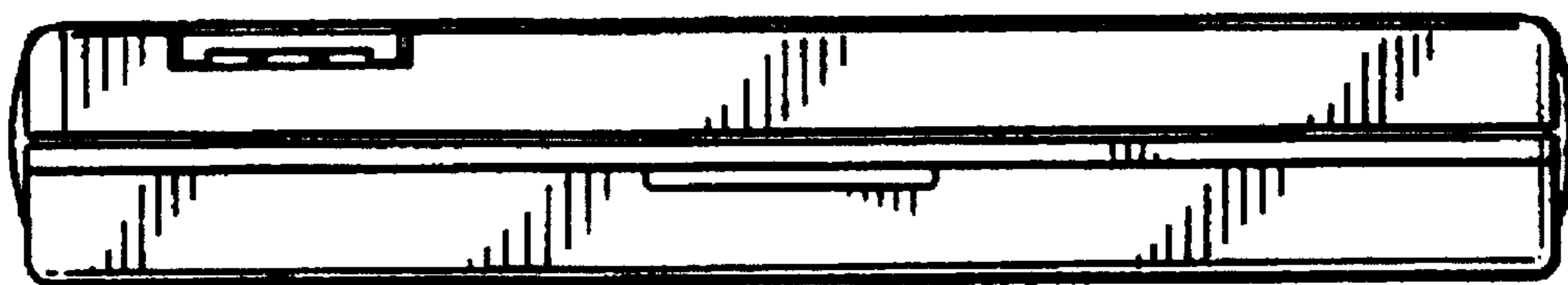


FIG. 5

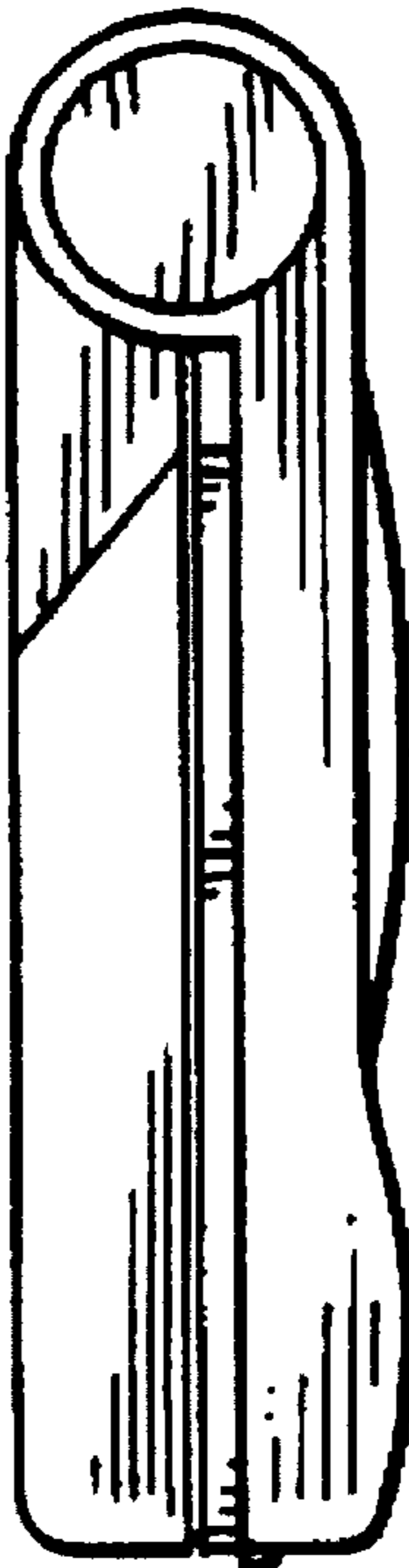


FIG. 7

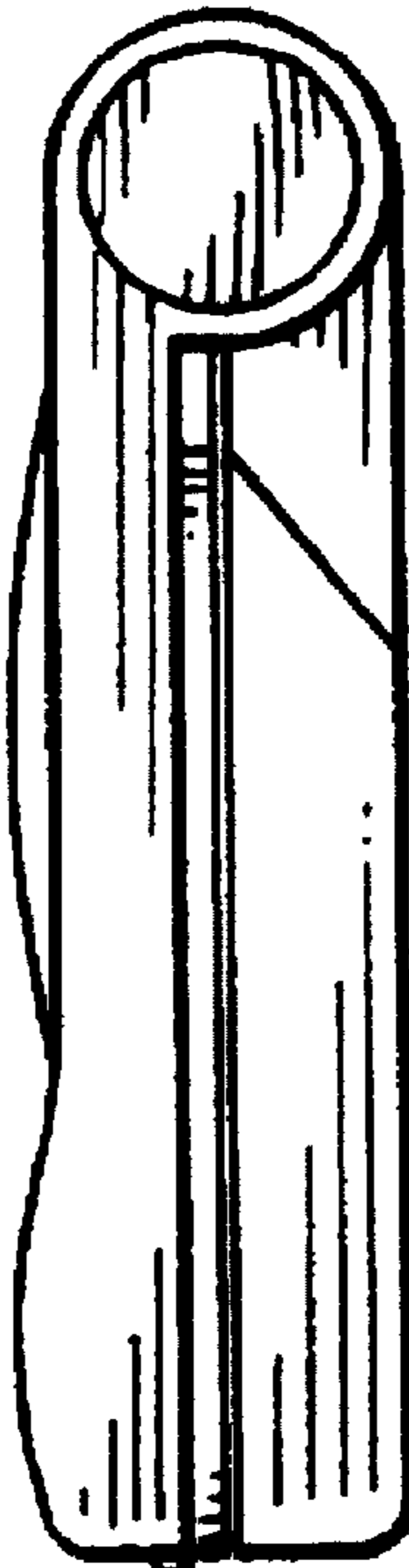


FIG. 6

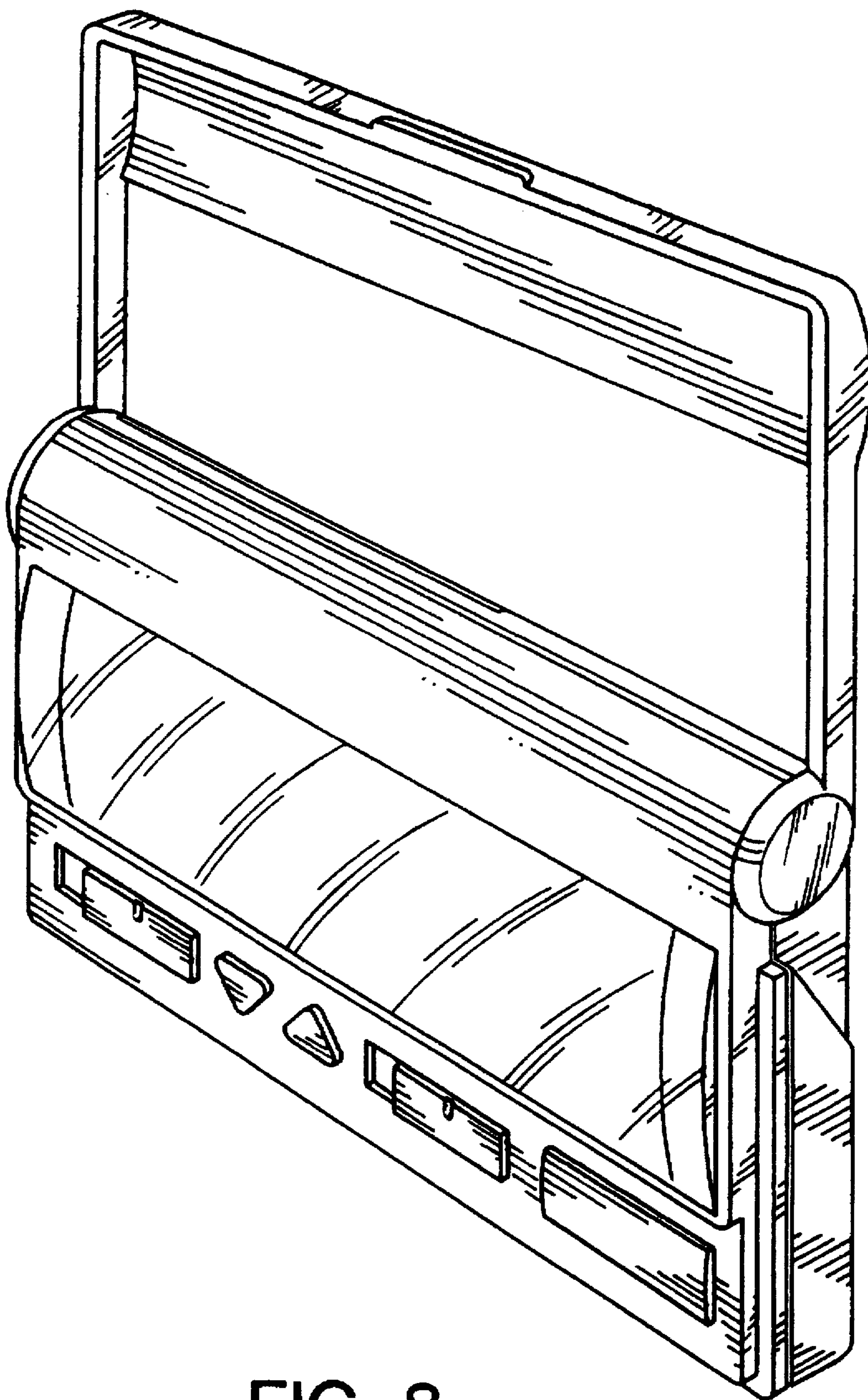


FIG. 8

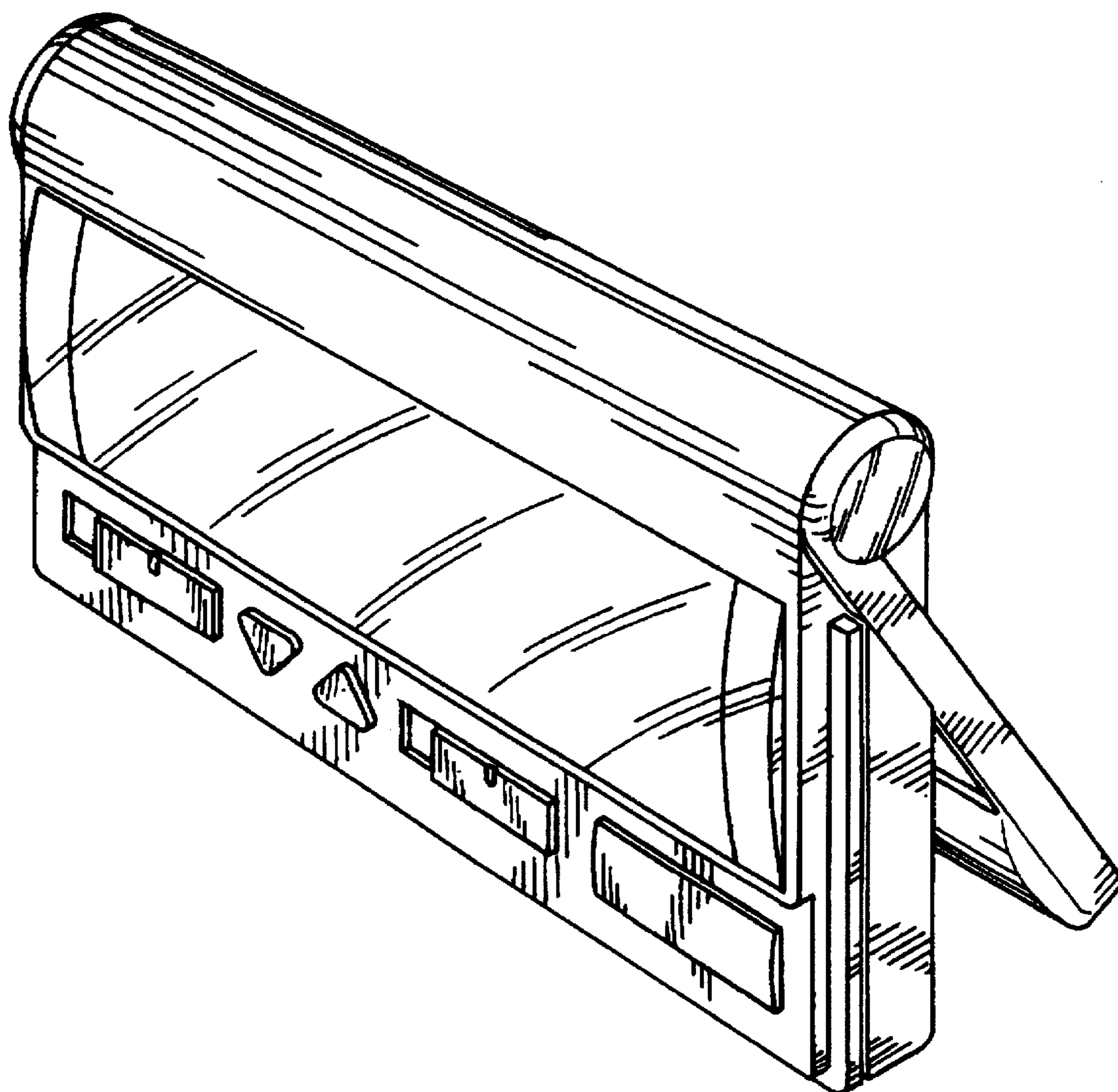


FIG. 9