



US00D385789S

United States Patent [19]

[11] Patent Number: **Des. 385,789**

Koptis

[45] Date of Patent: ****Nov. 4, 1997**

[54] **SPONGE APPLICATOR CAP**

2,932,840 4/1960 Lathrop D9/338 X
5,299,877 4/1994 Birden 401/196 X

[75] Inventor: **Kurt Koptis**, Yucca Valley, Calif.

Primary Examiner—James Gandy

[73] Assignee: **Painter's Products, Inc.**, Palm Desert, Calif.

Assistant Examiner—Cathron B. Matta

Attorney, Agent, or Firm—Charles H. Schwartz; Harvey S. Hertz

[**] Term: **14 Years**

[57] **CLAIM**

[21] Appl. No.: **58,763**

The ornamental design for a sponge applicator cap, as shown and described.

[22] Filed: **Aug. 22, 1996**

DESCRIPTION

[51] LOC (6) Cl. **09-07**

[52] U.S. Cl. **D9/436; D4/114**

[58] Field of Search D9/435, 436, 445,
D9/337-338; D4/114, 116, 137; D24/119;
D32/40, 45; 401/130, 190, 196, 207, 268;
215/228; 220/212, 329, 360

FIG. 1 is a perspective view of a sponge applicator cap according to my new design;

FIG. 2 is a top plan view thereof;

FIG. 3 is a back elevational view thereof;

FIG. 4 is a front elevational view thereof; and,

FIG. 5 is a side elevational view thereof the opposite side being a mirror image thereof.

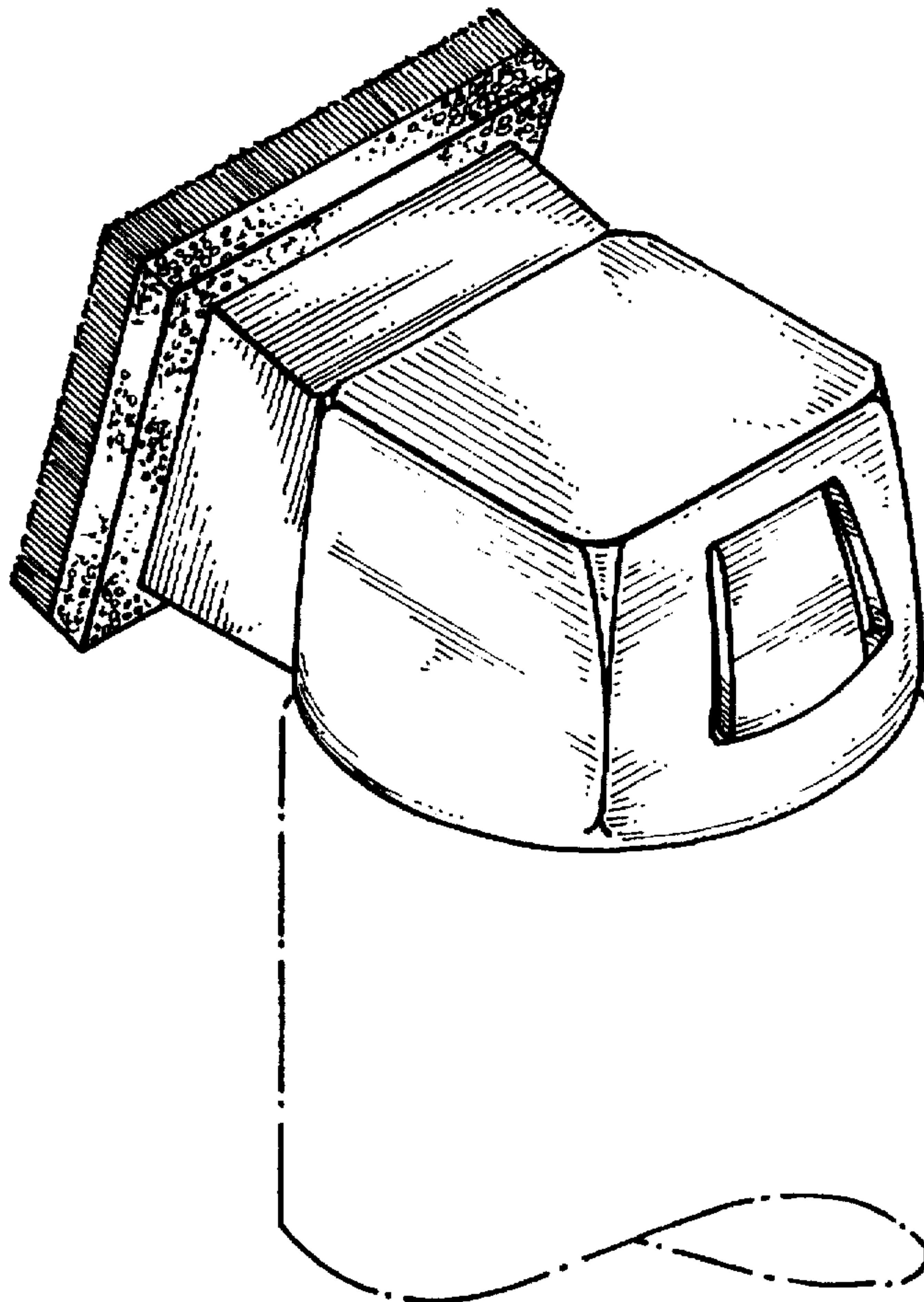
The broken line showing of the top portion of a container is for illustrative purposes only and forms no part of the claimed design.

[56] **References Cited**

U.S. PATENT DOCUMENTS

- D. 208,174 7/1967 Carveth D9/436 X
- D. 233,594 11/1974 Fears D4/114
- D. 296,763 7/1988 Holmstadt et al. D4/114
- D. 369,976 5/1996 Koptis D9/436

1 Claim, 1 Drawing Sheet



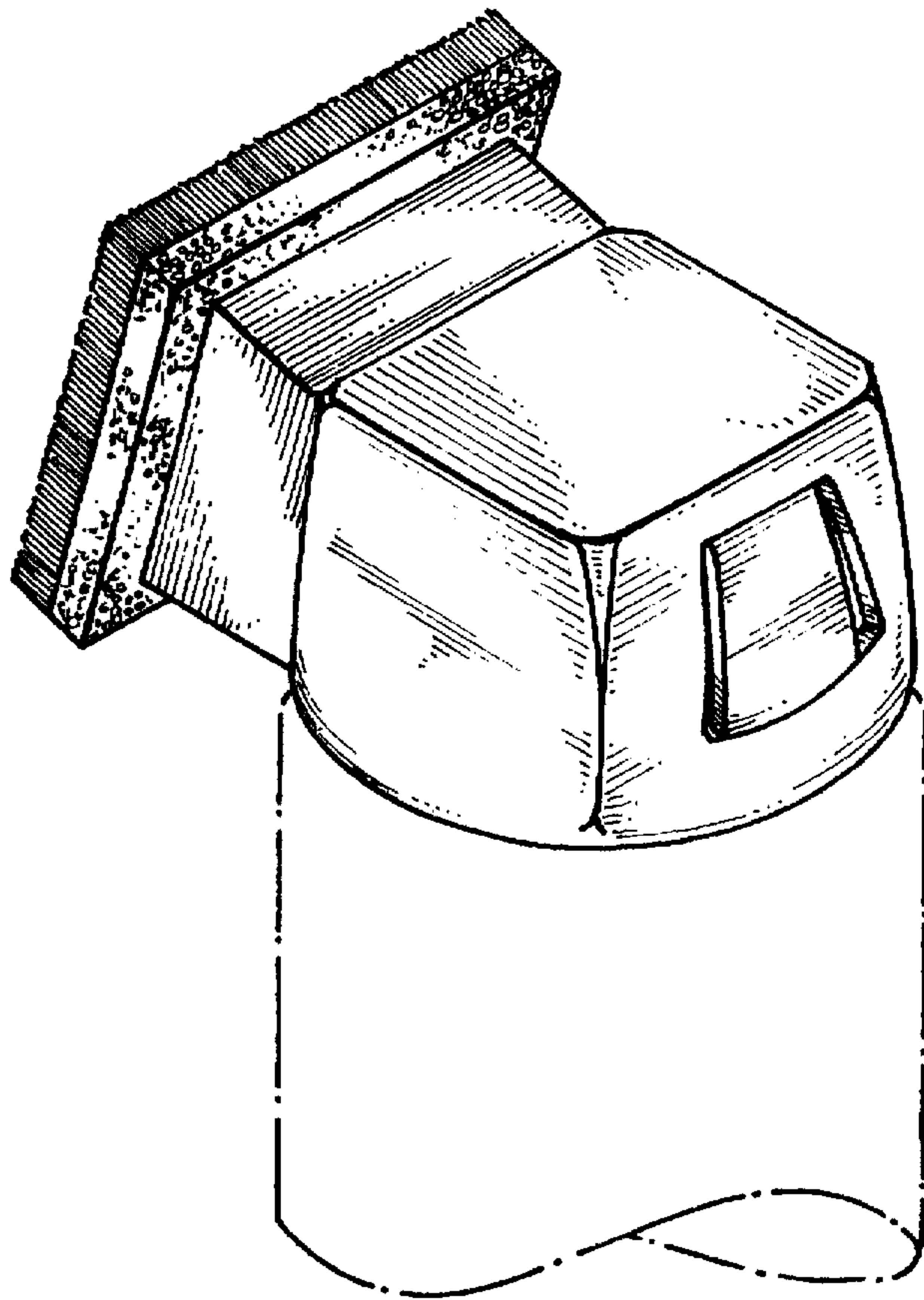


FIG. 1

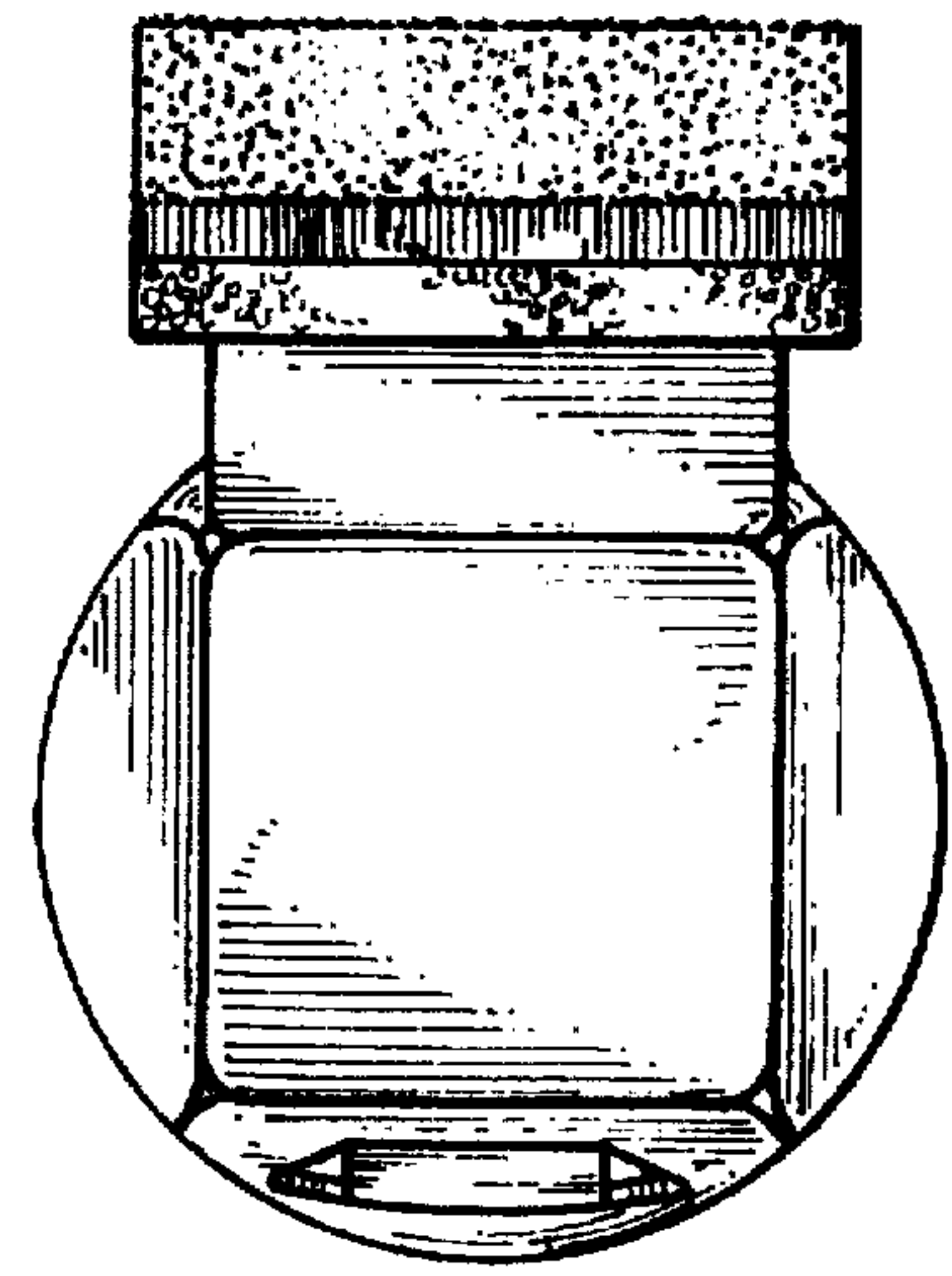


FIG. 2

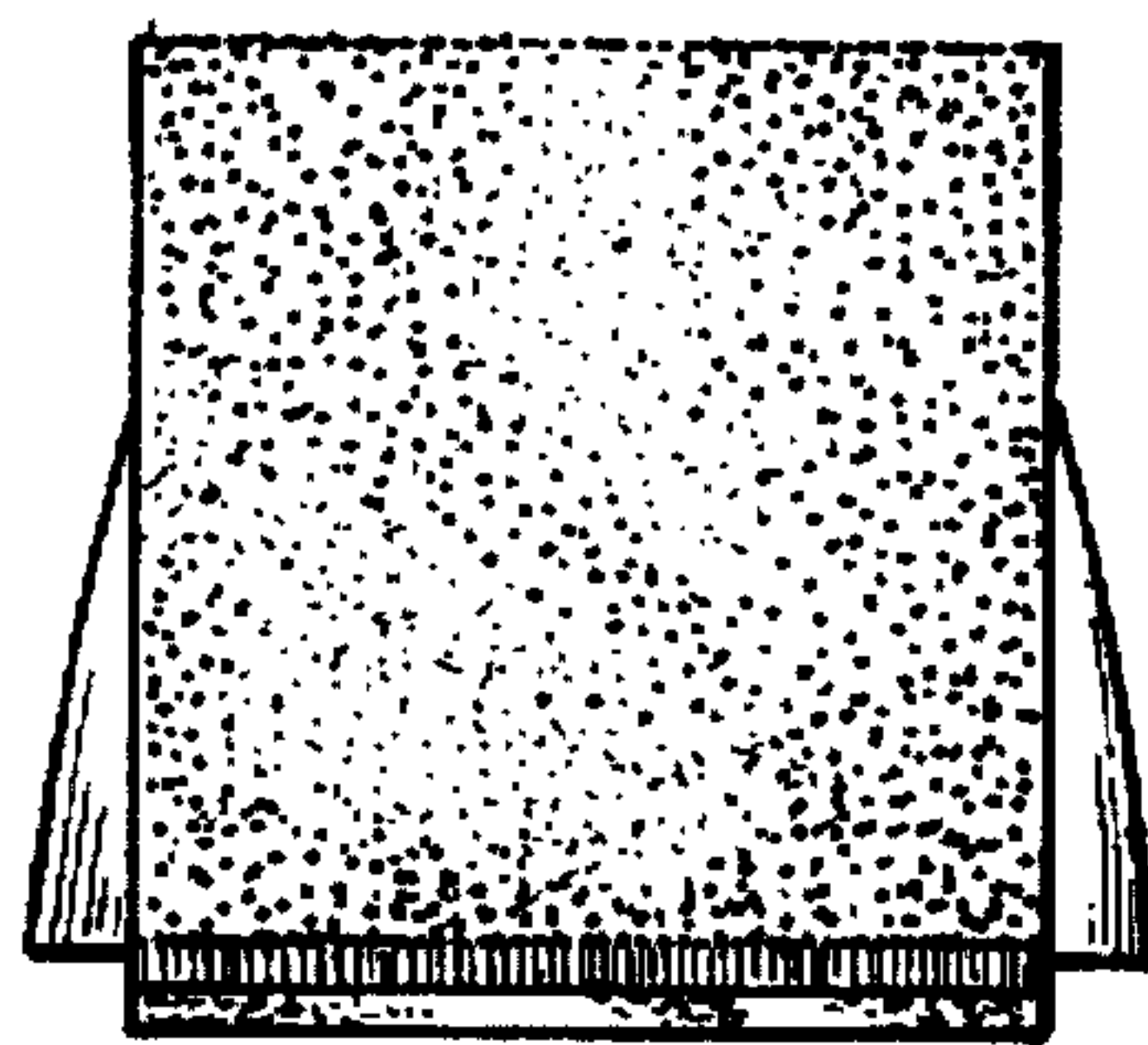


FIG. 4

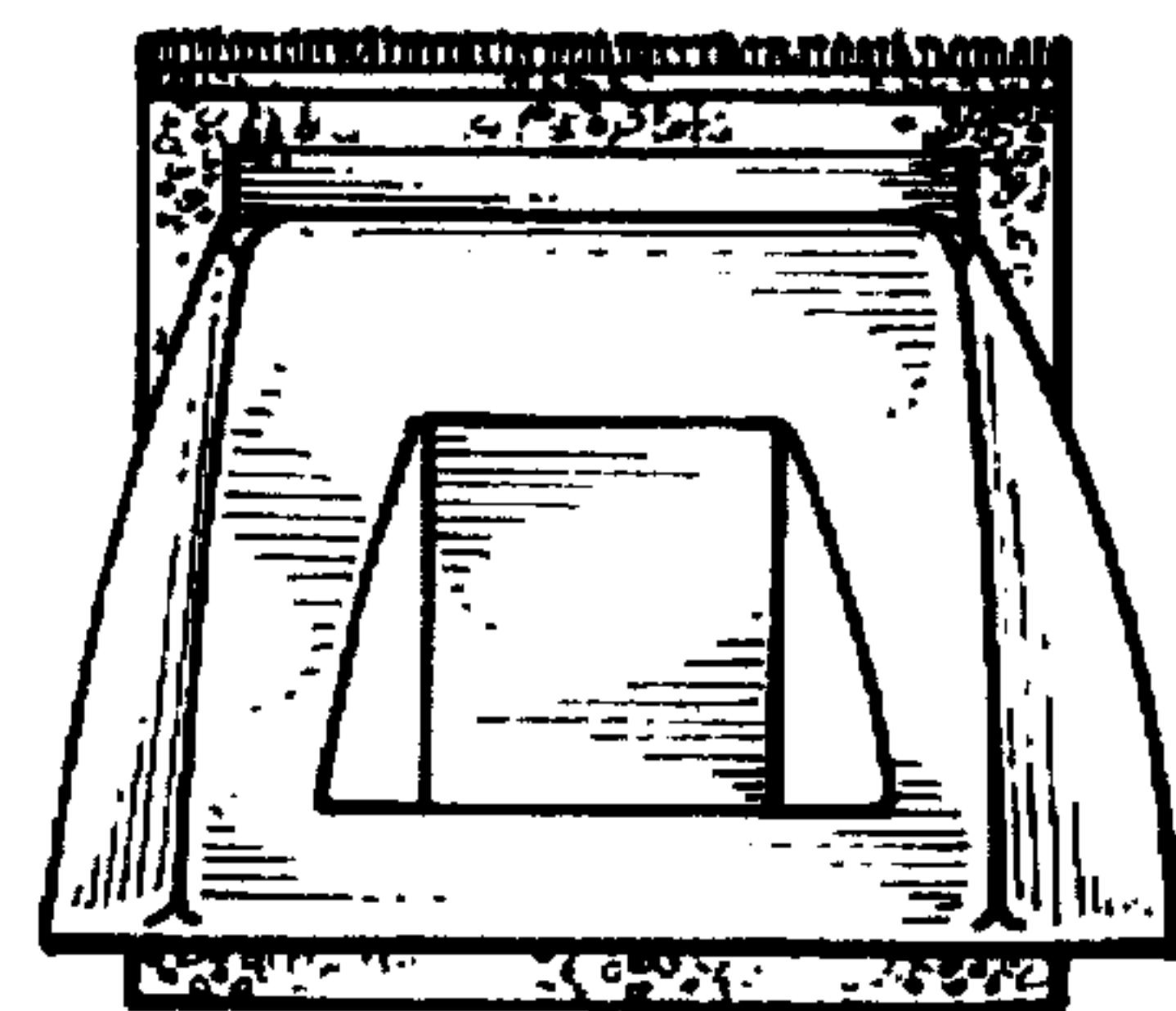


FIG. 3

FIG. 5

