



US00D385788S

United States Patent [19]

[11] Patent Number: **Des. 385,788**

Risser

[45] Date of Patent: ****Nov. 4, 1997**

[54] **ARTICLE CARRIER**

5,199,758 4/1993 Howell 294/171
5,507,544 4/1996 McQuade 294/159

[76] Inventor: **David Risser**, 415 N. Melvina,
Chicago, Ill. 60634

Primary Examiner—James Gandy
Assistant Examiner—Cathron B. Matta
Attorney, Agent, or Firm—Gary R. Jarosik

[**] Term: **14 Years**

[57] CLAIM

[21] Appl. No.: **61,688**

The ornamental design for an article carrier, as shown and described.

[22] Filed: **Oct. 25, 1996**

DESCRIPTION

[51] LOC (6) Cl. **09-07**

[52] U.S. Cl. **D9/434**

[58] Field of Search D9/434, 499, 455;
D3/328; D8/300; 294/137, 159, 163-166,
170, 171; 383/6, 13, 22, 23, 25

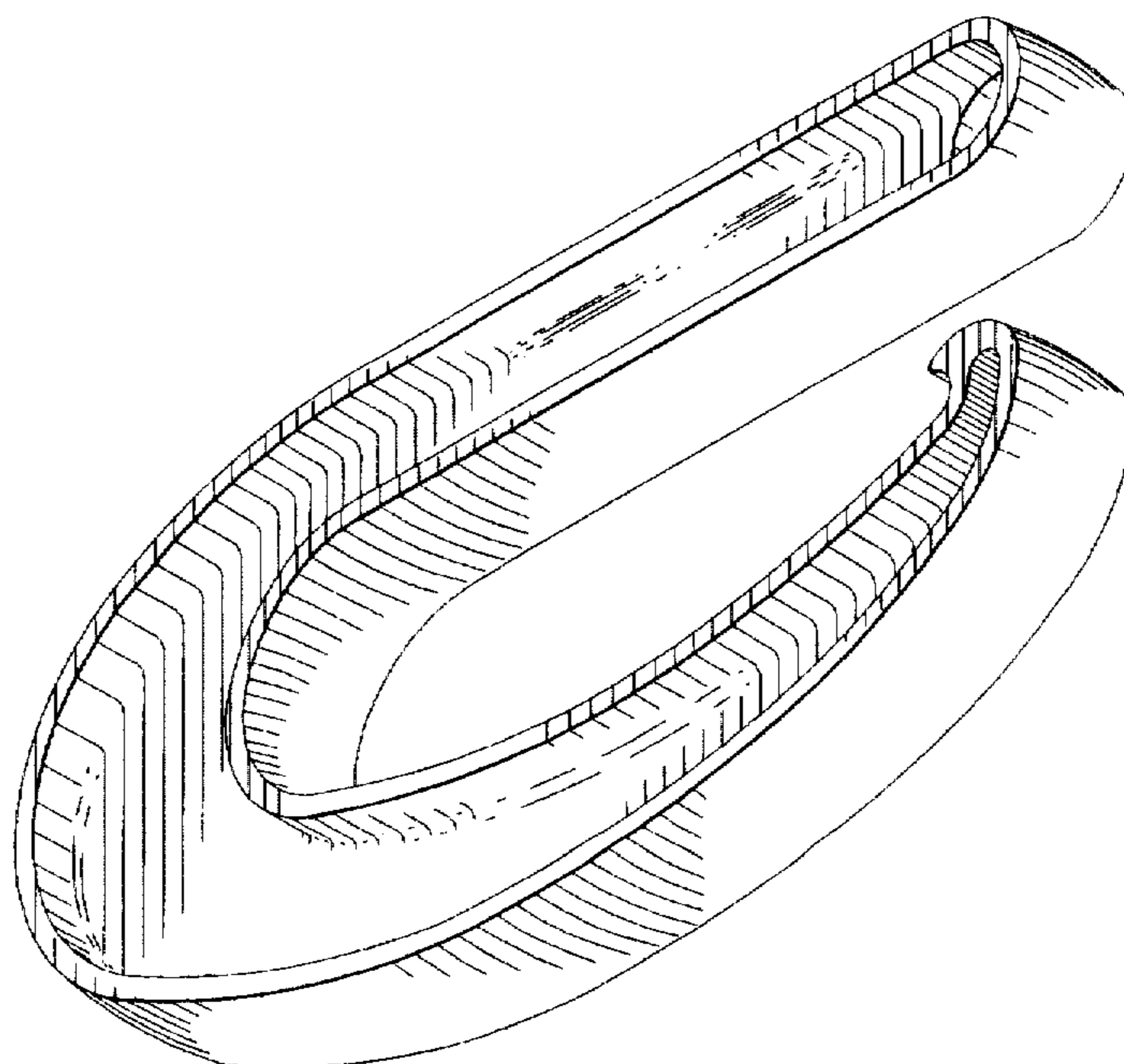
FIG. 1 is a perspective view of a first embodiment of the article carrier showing my new design; FIG. 2 is a front elevational view of this first embodiment, shown at a reduced scale; FIG. 3 is a rear elevational view of the first embodiment, shown at a reduced scale; FIG. 4 is a right side elevational view of this first embodiment, shown at a reduced scale; FIG. 5 is a left side elevational view of this first embodiment, shown at a reduced scale; FIG. 6 is a bottom plan view of this first embodiment, shown at a reduced scale; FIG. 7 is a top plan view of this first embodiment, shown at a reduced scale; FIG. 8 is a cross section view along line 8—8 in FIG. 7, shown at a reduced scale; FIG. 9 is a perspective view of a second embodiment of the article carrier showing my design; FIG. 10 is a right side elevational view of this second embodiment, shown at a reduced scale; and, FIG. 11 is a left side elevational view of this second embodiment, shown at a reduced scale. It is understood that the front, rear, top and bottom views of the second embodiment are identical to those of the first embodiment.

[56] References Cited

U.S. PATENT DOCUMENTS

| | | | |
|------------|---------|--------------------|----------|
| D. 137,712 | 4/1944 | Miano . | |
| D. 219,111 | 11/1970 | Moen . | |
| D. 295,727 | 5/1988 | Clarke | D9/434 |
| D. 314,150 | 1/1991 | Preciutti | D8/300 |
| D. 318,213 | 7/1991 | Cloonan | D8/300 |
| D. 340,863 | 11/1993 | Daigle | D8/300 |
| D. 358,094 | 5/1995 | DeGiacomo | D9/434 |
| D. 361,263 | 8/1995 | Carmo | D9/434 |
| D. 362,386 | 9/1995 | Blocker | D9/434 |
| D. 362,621 | 9/1995 | Blocker | 93/434 |
| D. 362,622 | 9/1995 | Van Davelaer | D9/434 |
| D. 369,470 | 5/1996 | Suggs | D3/328 |
| 3,520,570 | 7/1970 | Christopher . | |
| 3,612,595 | 10/1971 | Updegraff | 294/31.2 |
| 4,004,722 | 1/1977 | Olivier | 224/45 P |
| 4,023,762 | 5/1977 | Batts | 248/359 |
| 4,590,640 | 5/1986 | Enersen | 16/114 B |
| 4,772,059 | 9/1988 | Perry | 294/170 |
| 4,923,235 | 5/1990 | Stewart | 294/141 |
| 4,932,702 | 6/1990 | Sweeny | 294/171 |
| 4,982,989 | 1/1991 | Sweeny | 294/171 |
| 5,181,757 | 1/1993 | Montoya | 294/159 |

1 Claim, 5 Drawing Sheets



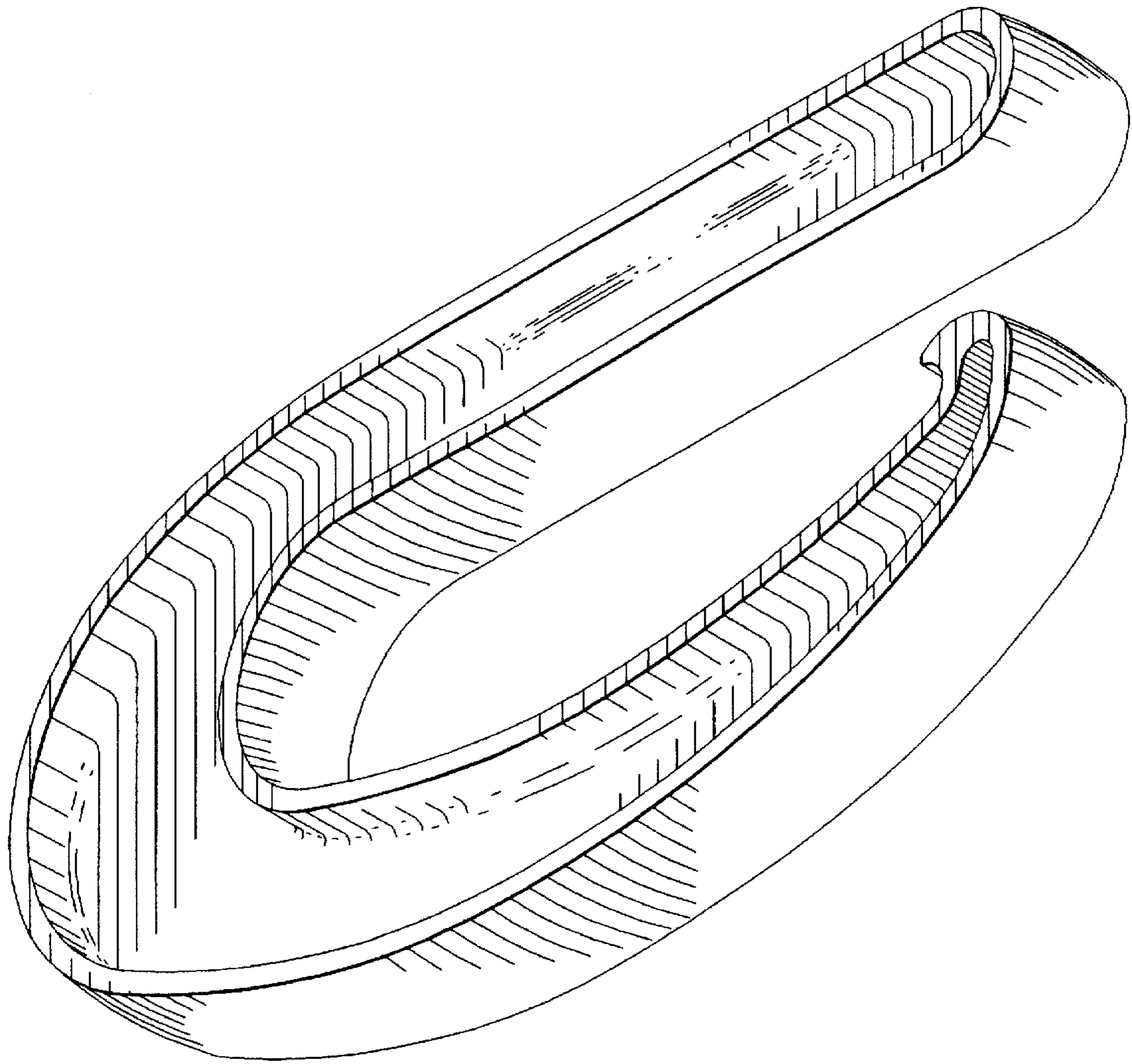


FIG. 1

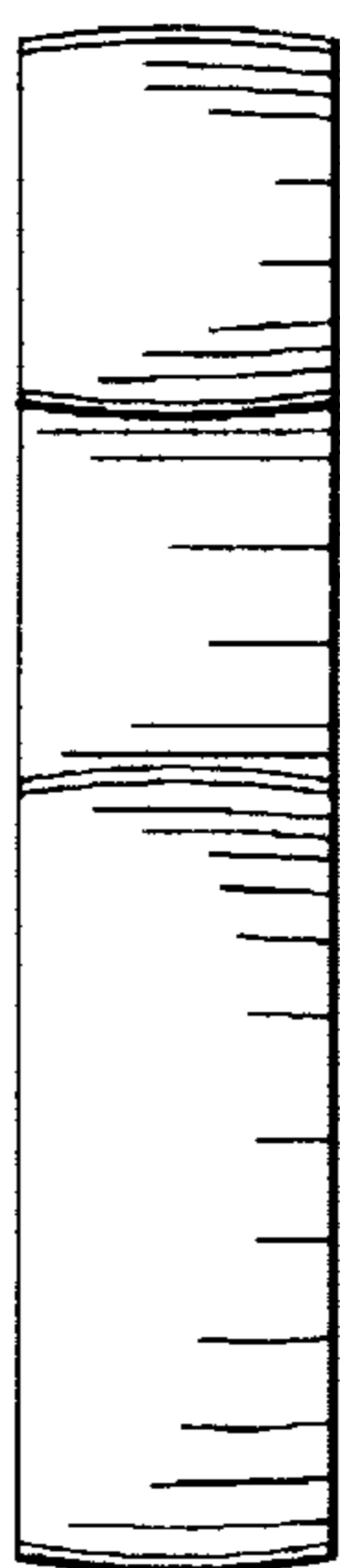


FIG. 2

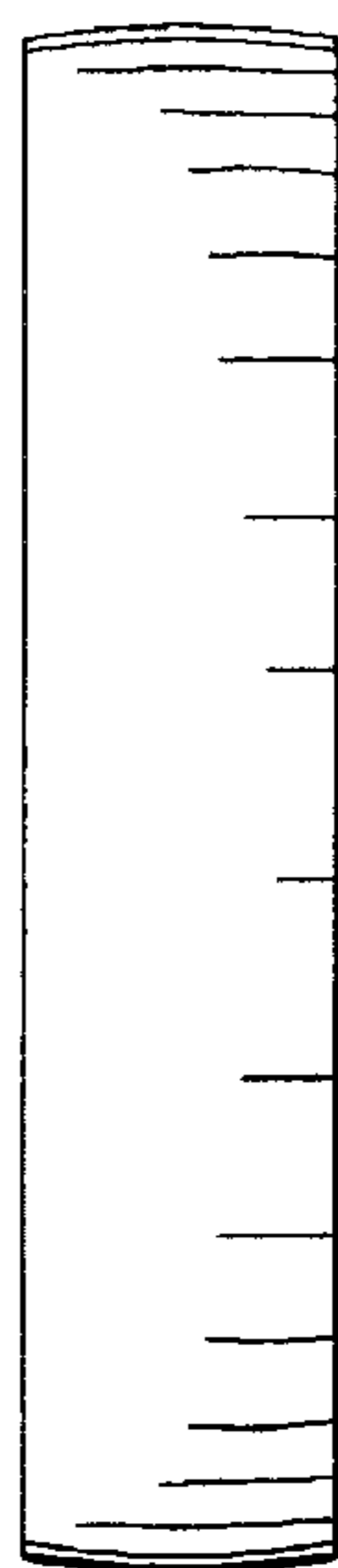


FIG. 3

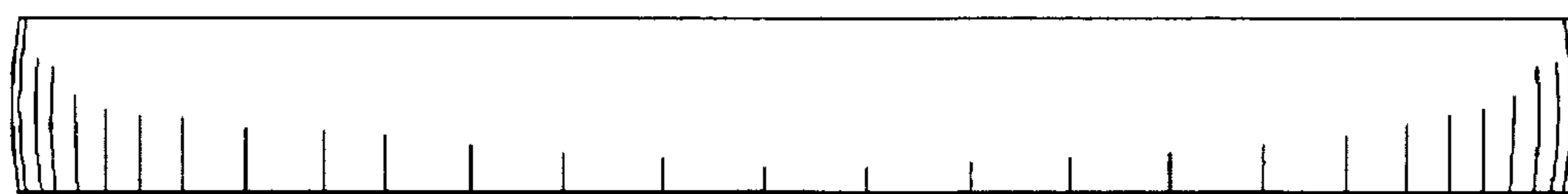


FIG. 6

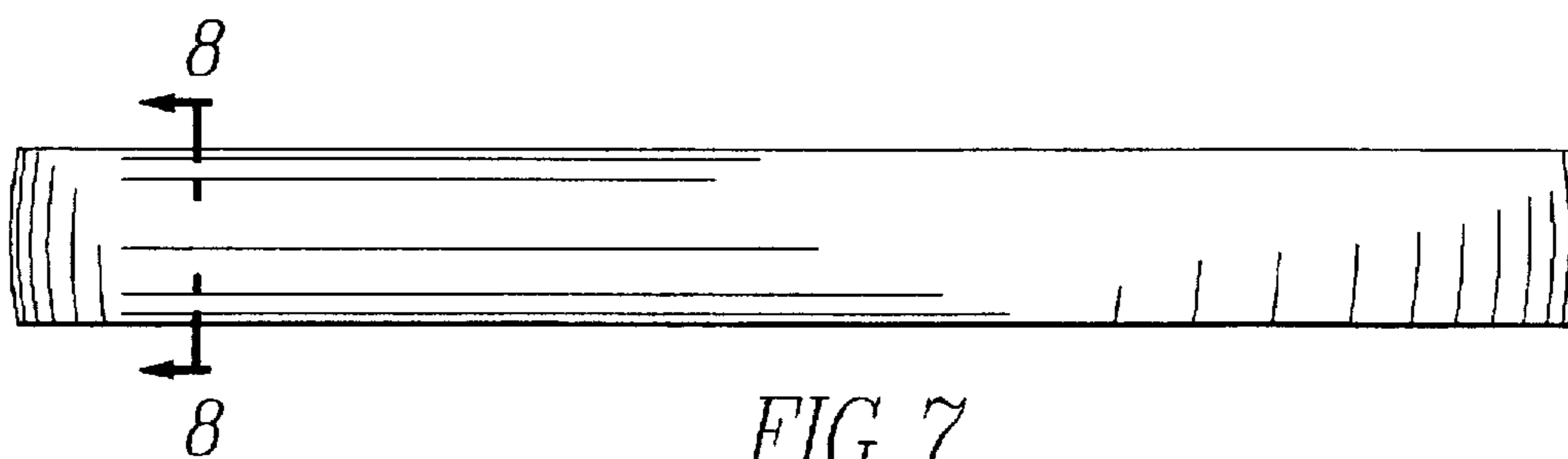


FIG. 7

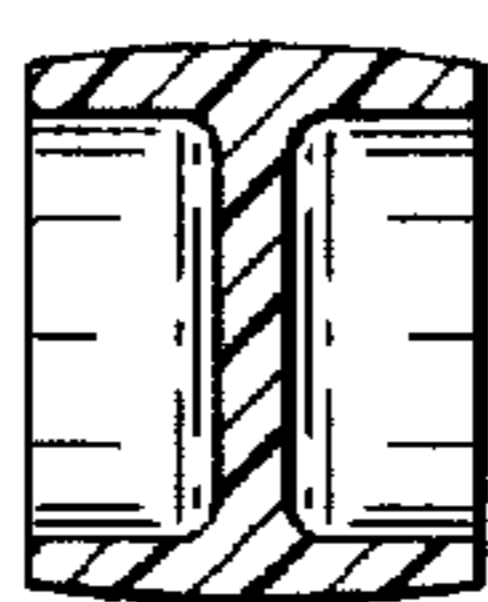


FIG. 8

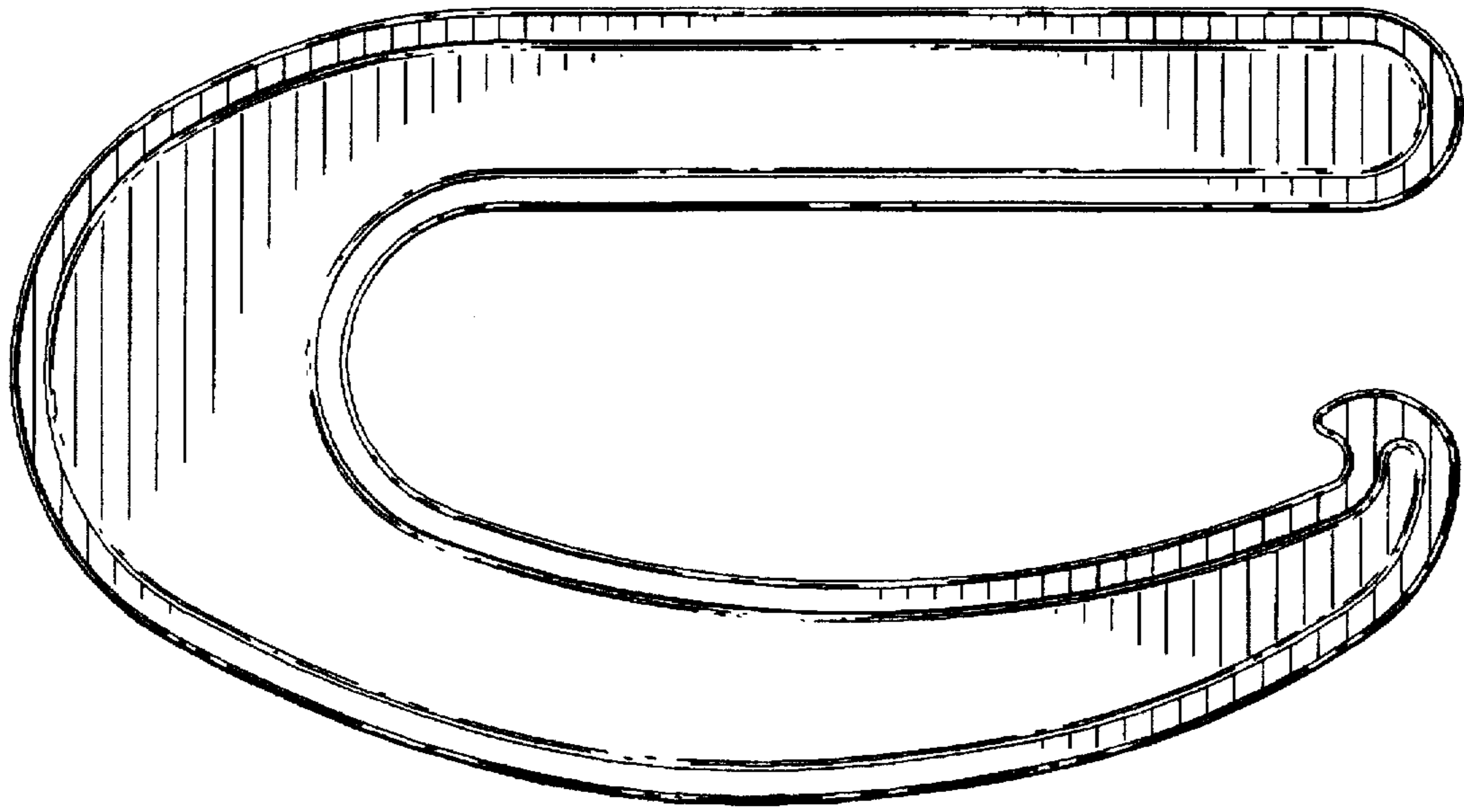


FIG. 4

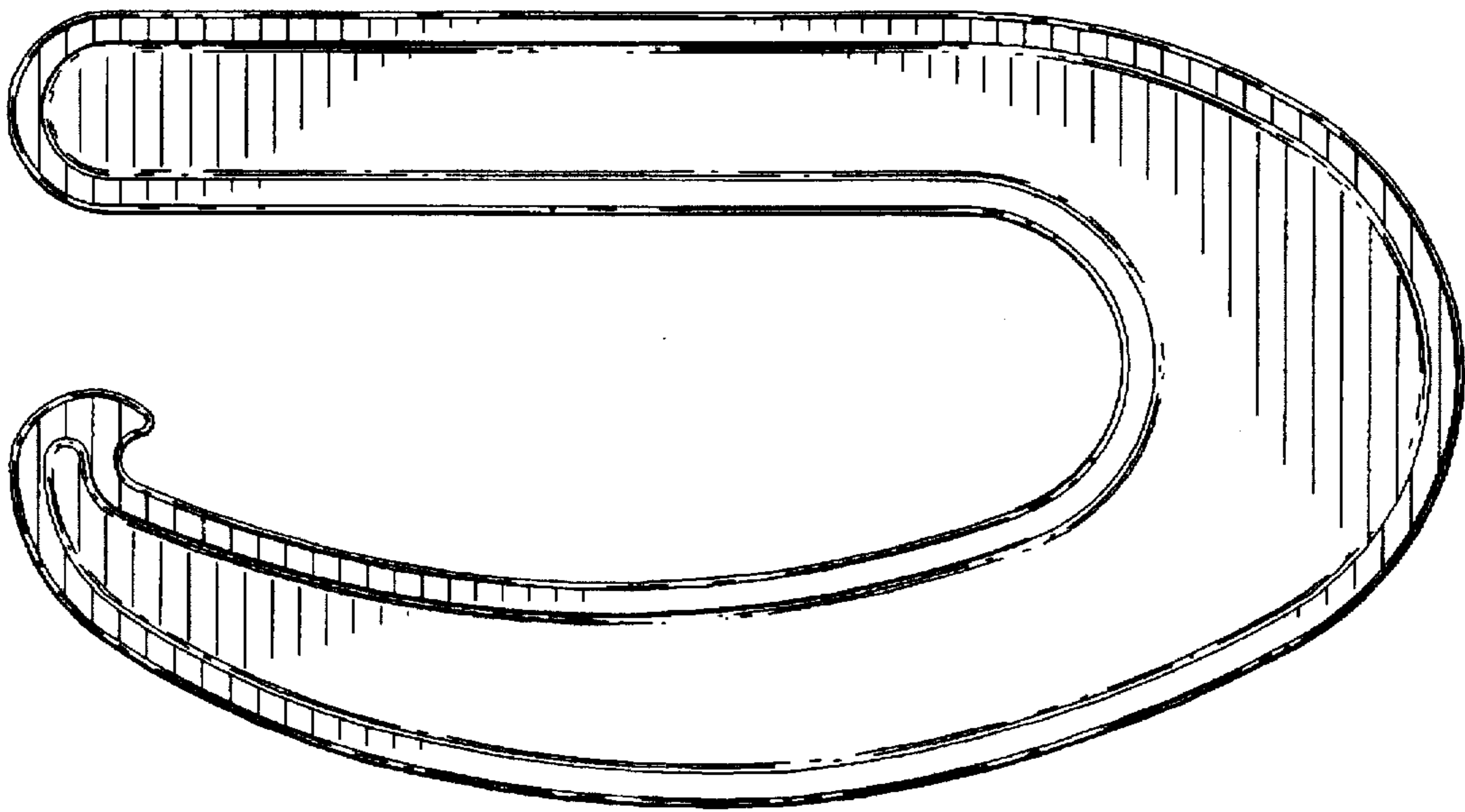


FIG. 5

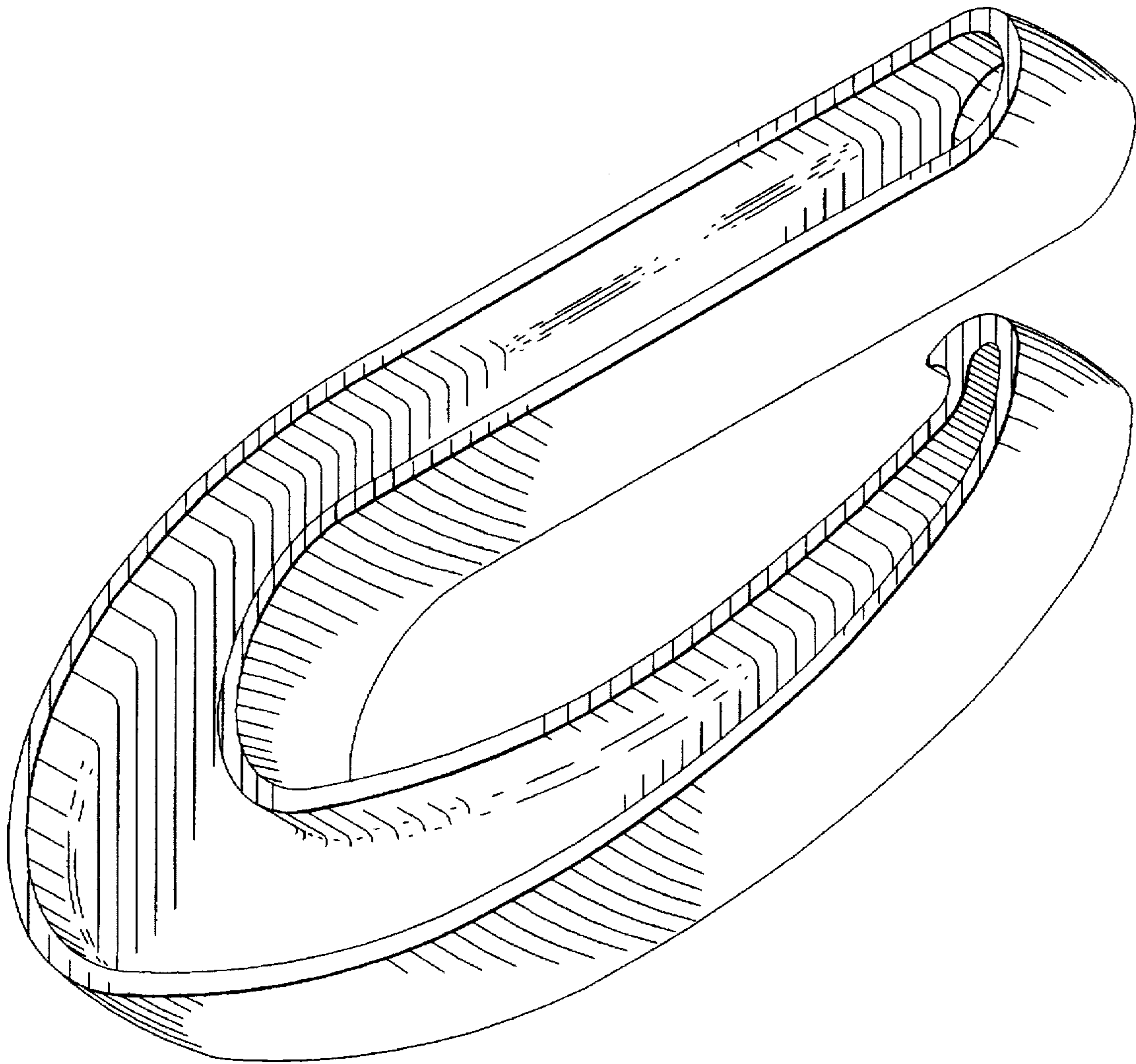


FIG. 9

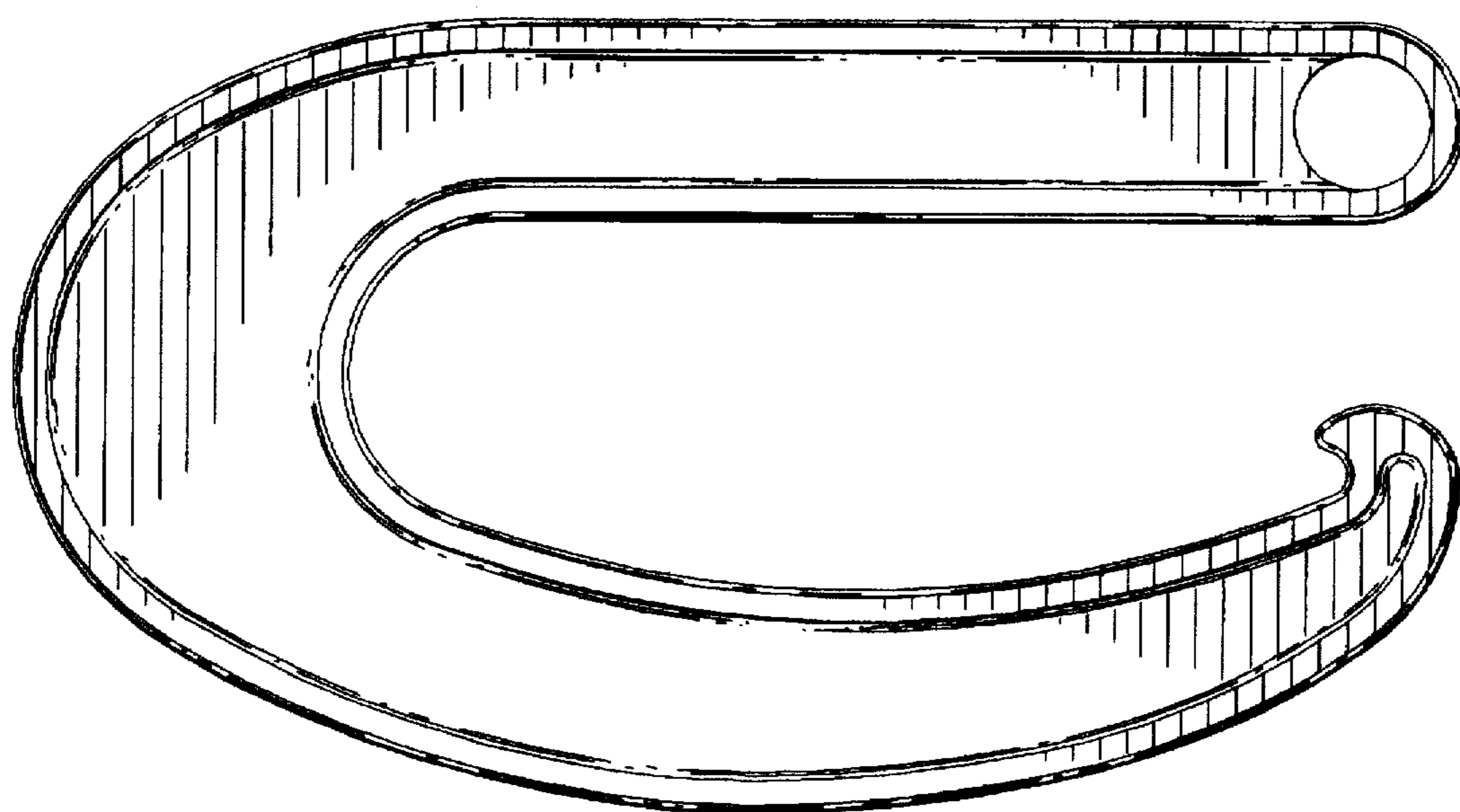


FIG. 10

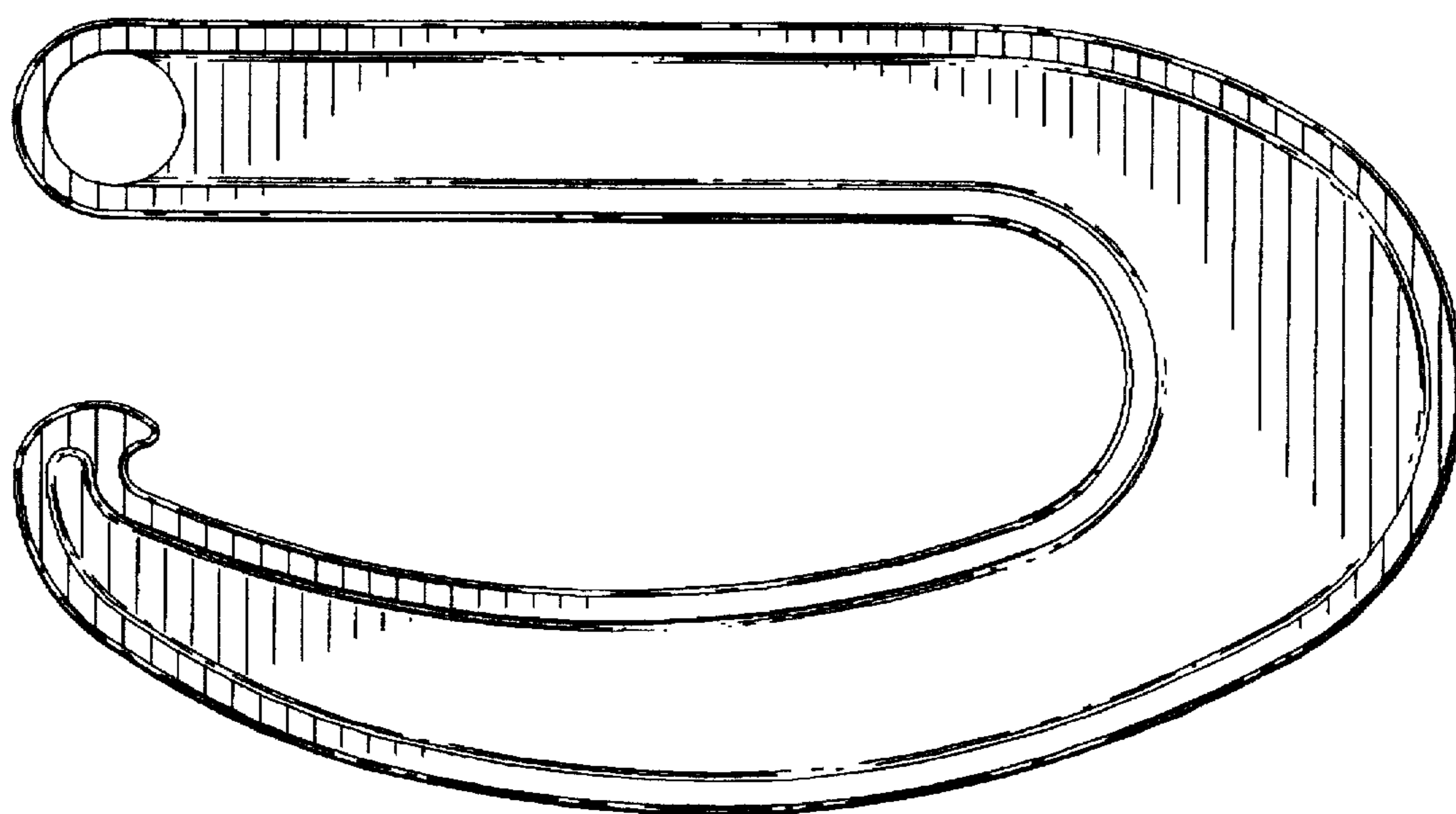


FIG. 11